



US00D748442S

(12) **United States Design Patent**
White

(10) **Patent No.:** **US D748,442 S**

(45) **Date of Patent:** **** Feb. 2, 2016**

- (54) **VEHICLE OIL FILTER DRAIN TOOL**
- (71) Applicant: **Daniel L White**, Clermont, FL (US)
- (72) Inventor: **Daniel L White**, Clermont, FL (US)
- (**) Term: **14 Years**
- (21) Appl. No.: **29/502,619**
- (22) Filed: **Sep. 18, 2014**
- (51) **LOC (10) Cl.** **08-05**
- (52) **U.S. Cl.**
USPC **D8/14; D8/387**
- (58) **Field of Classification Search**
USPC D8/14, 33, 41, 385, 387, 388, 391
CPC B67B 7/24; A01G 25/023; F16B 25/0015;
F16B 25/0057
See application file for complete search history.

- 6,681,796 B2 * 1/2004 King, Jr. F16L 41/065
137/107
- 6,986,532 B1 * 1/2006 King A01G 25/023
137/318
- 7,219,684 B2 * 5/2007 Dabir A01G 25/023
137/318
- D614,941 S * 5/2010 Murphy D8/387
- D647,393 S * 10/2011 Carrillo, Sr. D8/387
- 8,127,784 B2 * 3/2012 Cesarz B67B 7/24
137/15.13
- 8,621,962 B1 * 1/2014 Stadnyk 81/52
- 2010/0084026 A1 * 4/2010 Knoll B01D 35/30
137/318

* cited by examiner

Primary Examiner — Phillip S Hyder

(74) *Attorney, Agent, or Firm* — William M. Hobby, III

(57) **CLAIM**

The ornamental design for a vehicle oil filter drain tool, as shown and described.

DESCRIPTION

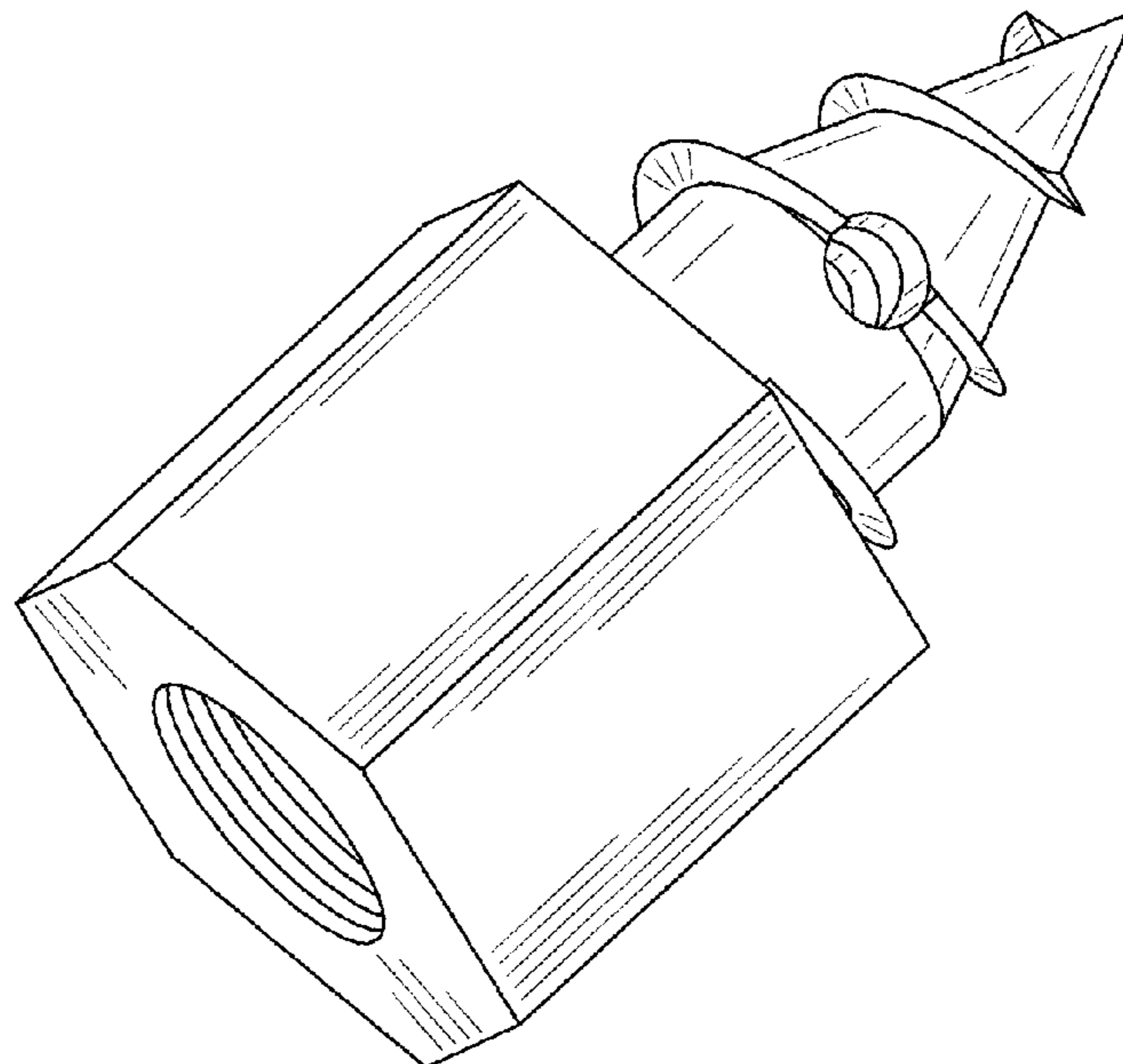
FIG. 1 is a perspective view of my new vehicle oil filter drain tool;
 FIG. 2 is a top plan view;
 FIG. 3 is a bottom plan view;
 FIG. 4 is a front side elevation thereof;
 FIG. 5 is a rear side elevation thereof;
 FIG. 6 is a right side elevation thereof;
 FIG. 7 is a left side elevation thereof; and,
 FIG. 8 is a cross section view thereof, taken along line 8-8 of FIG. 2.

1 Claim, 2 Drawing Sheets

(56) **References Cited**

U.S. PATENT DOCUMENTS

- D249,322 S * 9/1978 Diffenderfer D8/14
- 4,810,148 A * 3/1989 Aisa B03C 1/286
252/62.54
- 5,390,823 A * 2/1995 Kilgore B25B 27/0042
137/318
- 5,634,755 A * 6/1997 Jones, Jr. B03C 1/286
335/302
- 5,694,990 A * 12/1997 Crima B01D 35/16
141/330



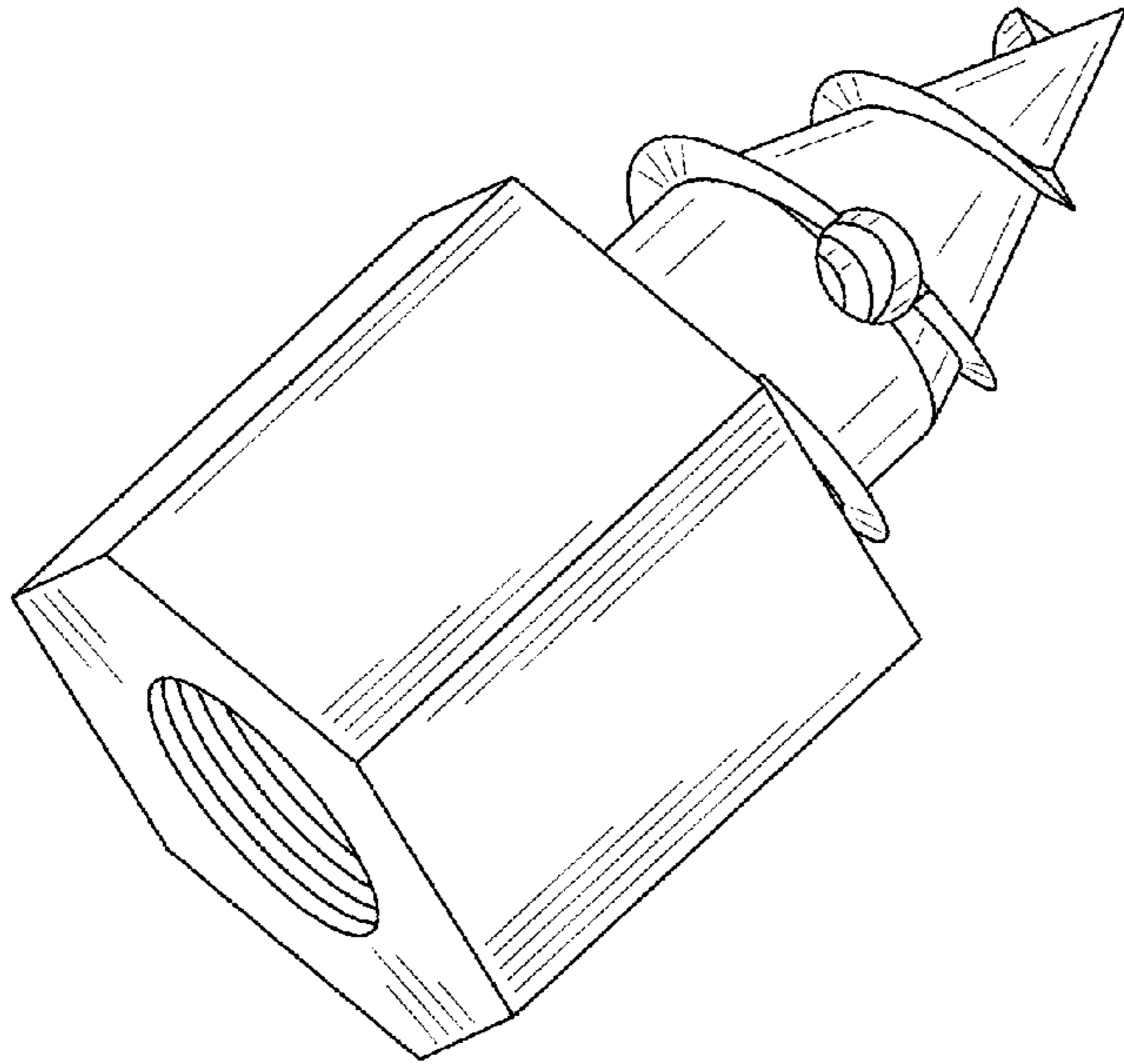
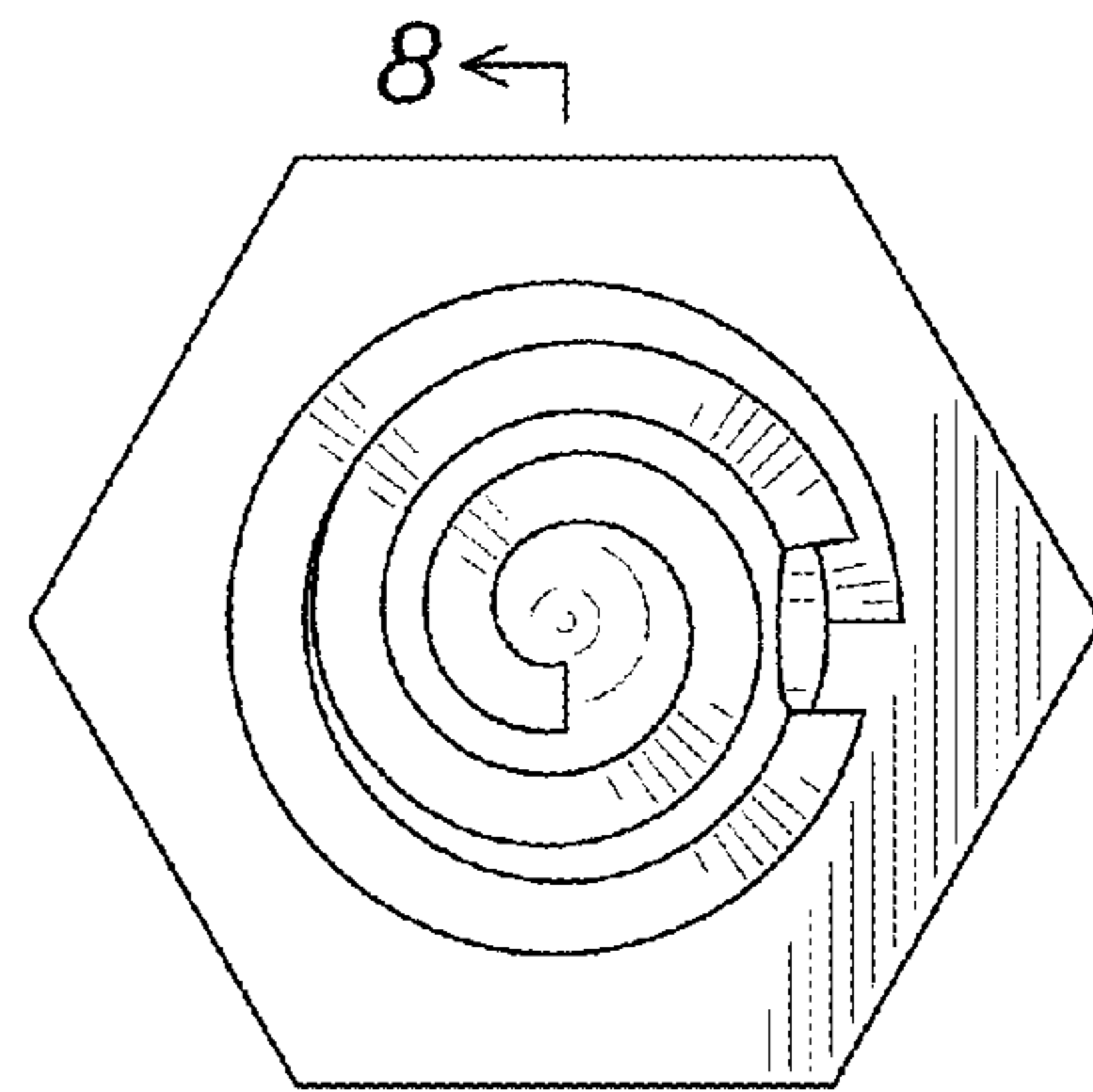


FIG. 1



8 ←

FIG. 2

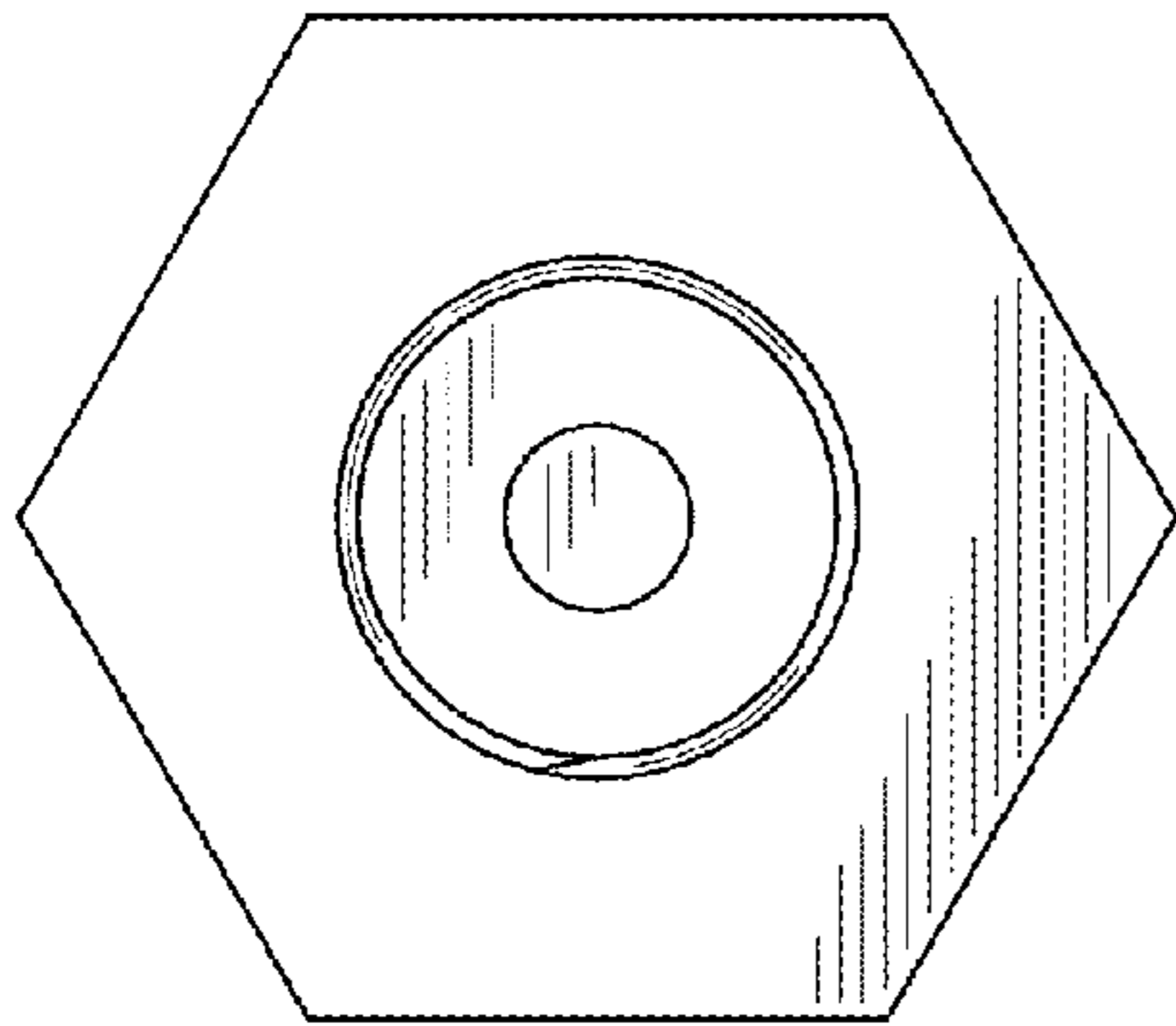


FIG. 3

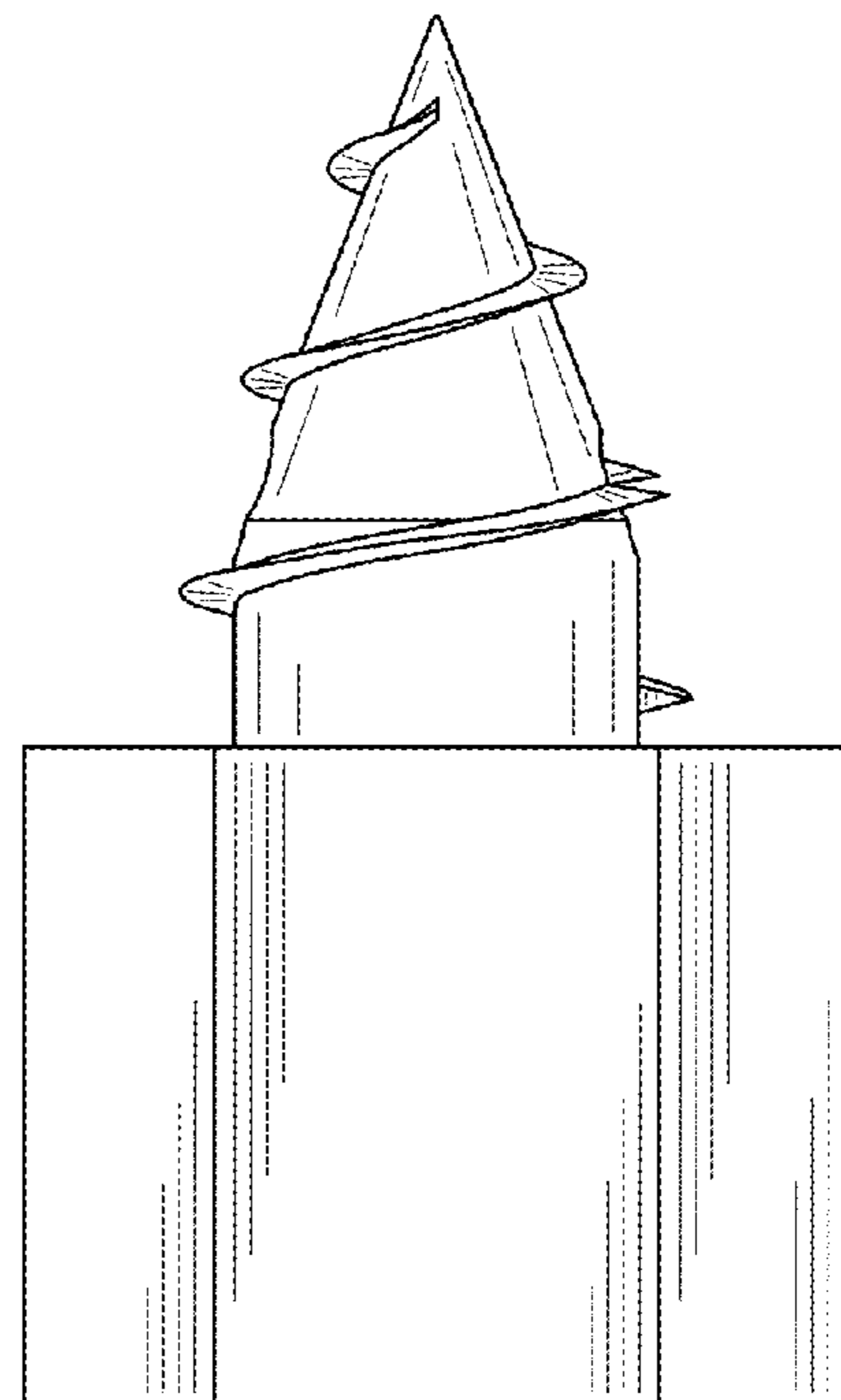


FIG. 4

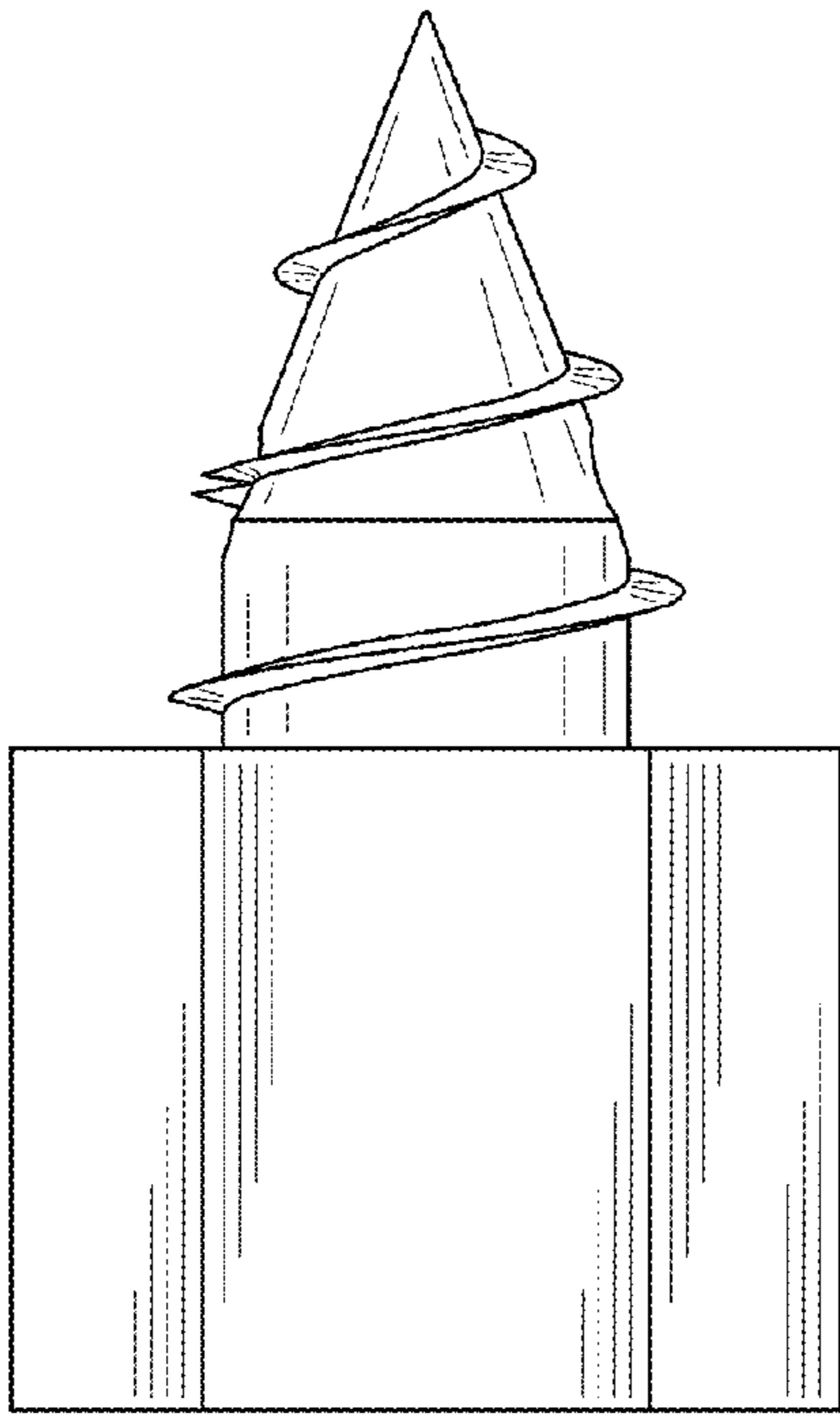


FIG. 5

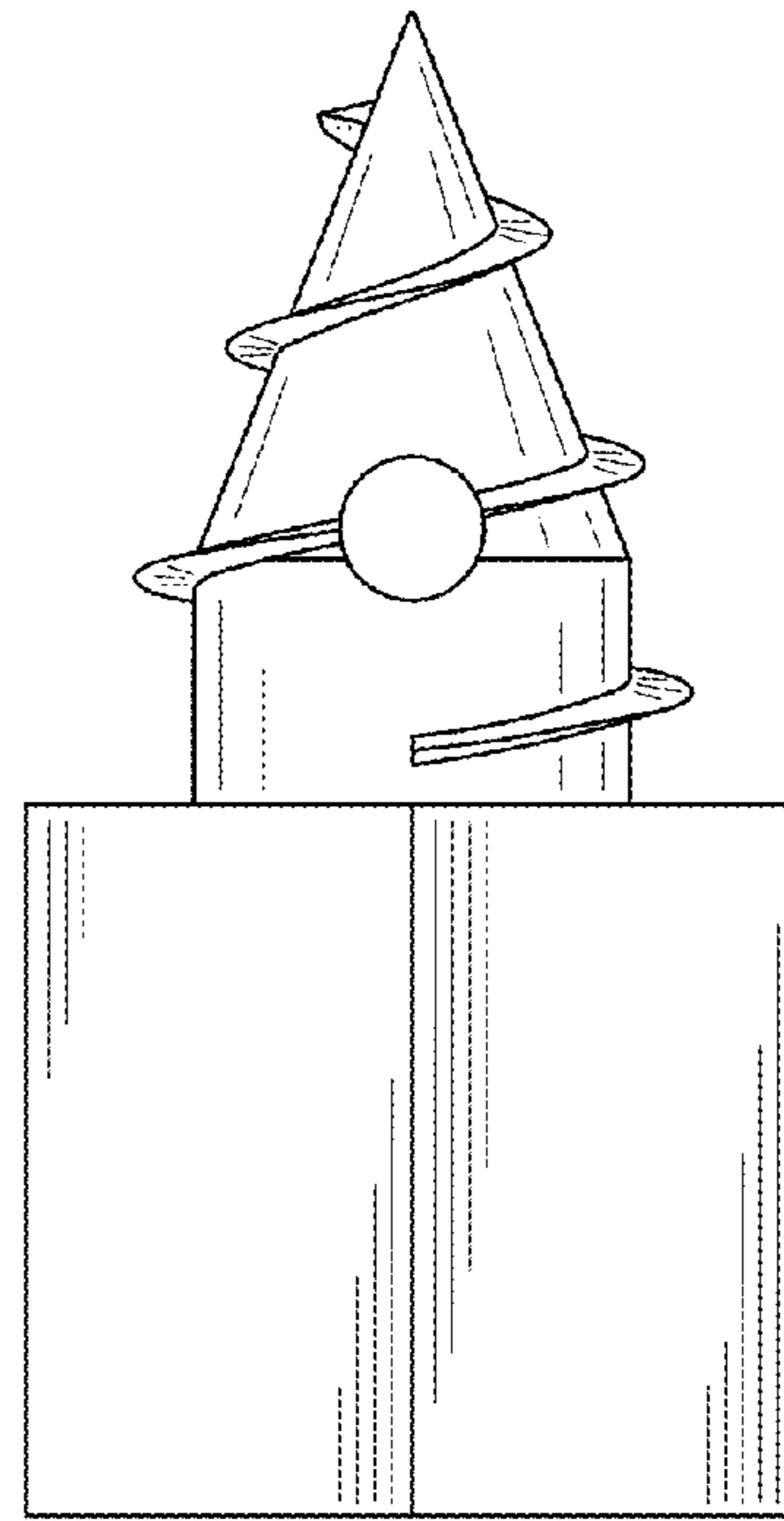


FIG. 6

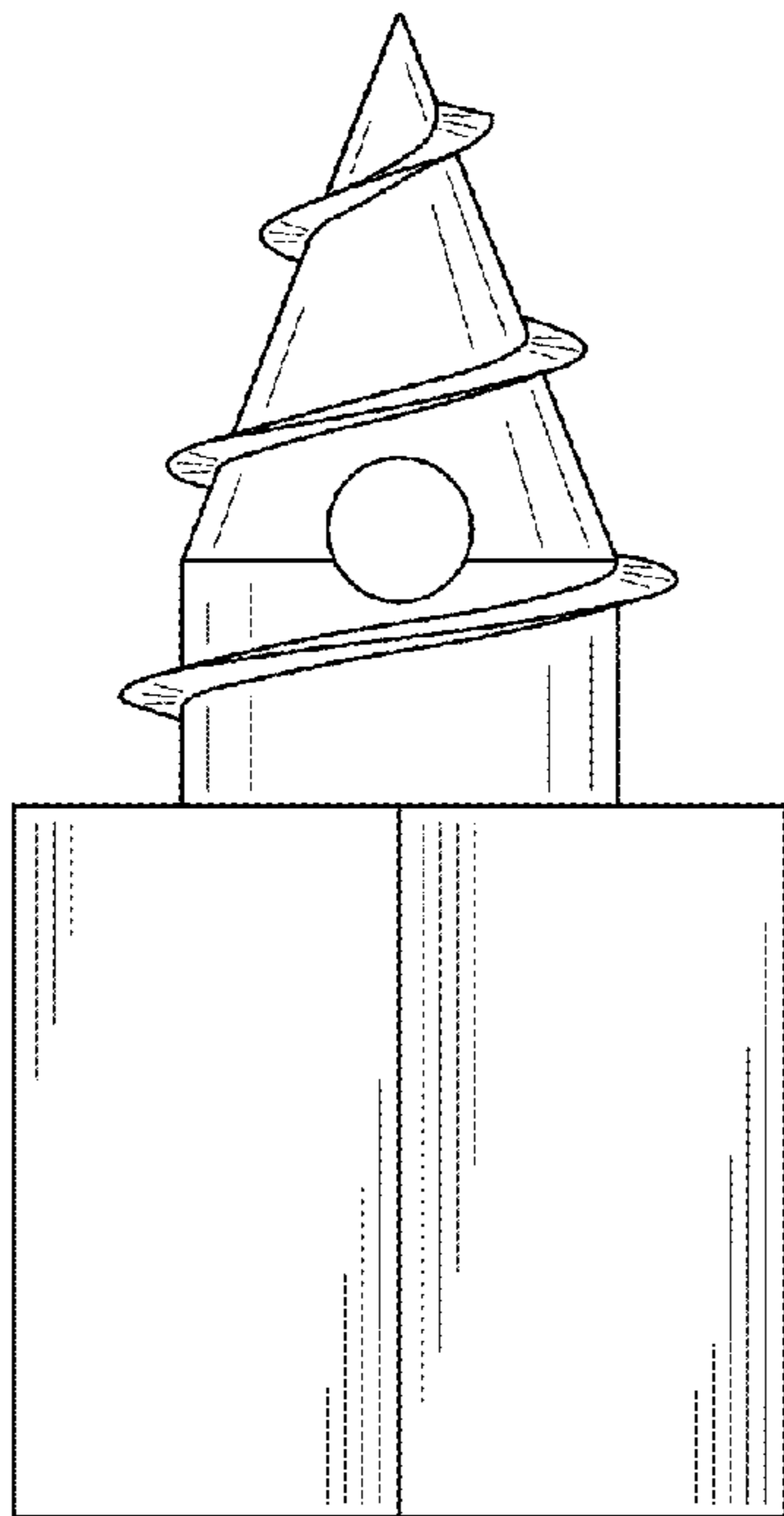


FIG. 7

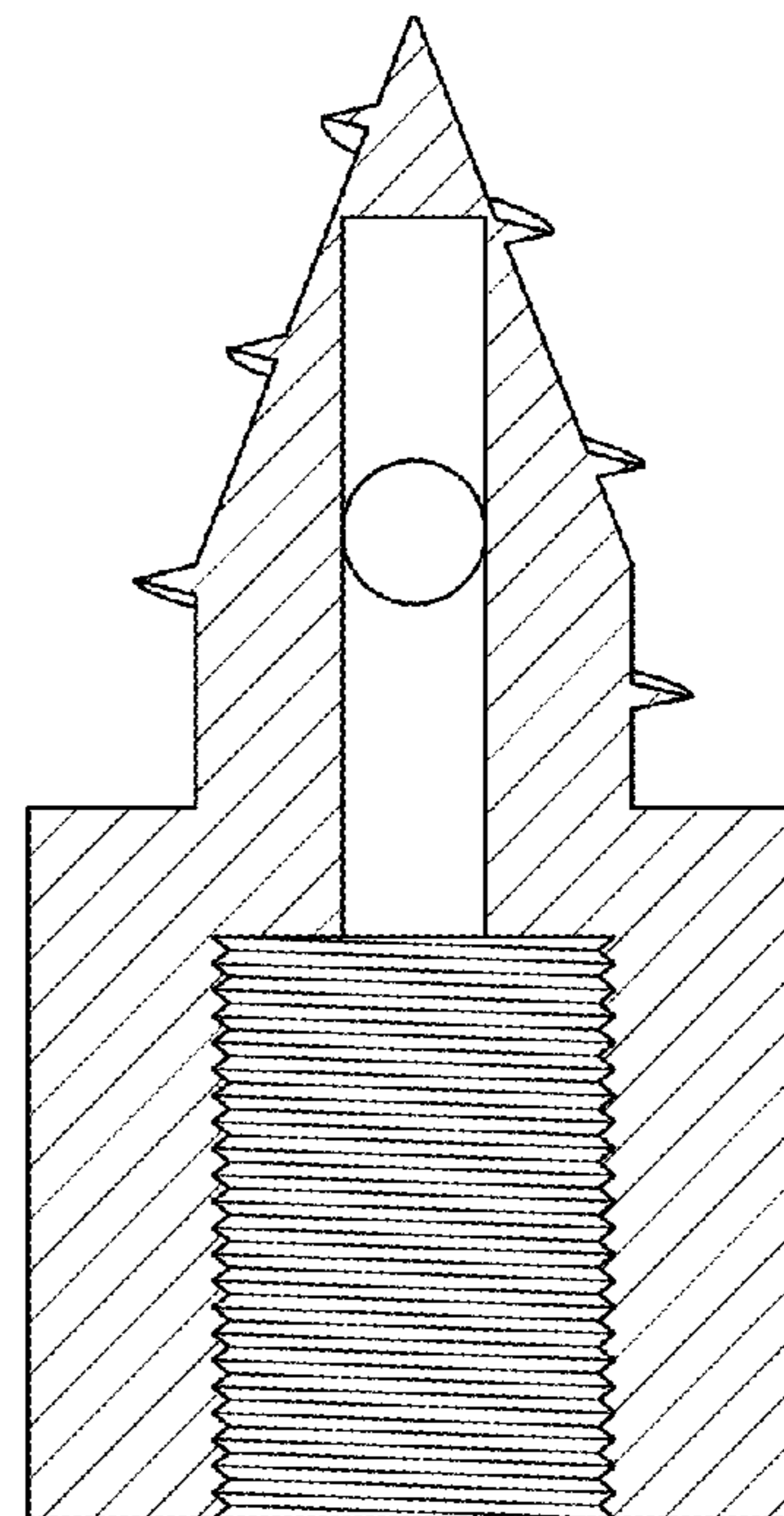


FIG. 8