



US00D748441S

(12) **United States Design Patent**
Goodman et al.

(10) **Patent No.:** **US D748,441 S**
(45) **Date of Patent:** **** Feb. 2, 2016**

(54) **NAPKIN HOLDER**

(56) **References Cited**

(71) Applicant: **Spectrum Diversified Designs, Inc.**,
Streetsboro, OH (US)
(72) Inventors: **Sheldon H. Goodman**, Solon, OH (US);
Phaysouk Xayoiphonh, Akron, OH
(US); **Jennifer K. Case**, Middleburg
Heights, OH (US)

U.S. PATENT DOCUMENTS

3,878,966	A *	4/1975	Haboush	A47K 10/421 211/50
D315,925	S *	4/1991	Rich	D19/86
D495,214	S *	8/2004	Joseph	D7/631
D548,539	S *	8/2007	Yang	D7/631
D622,110	S *	8/2010	Yang	D7/631
D640,510	S *	6/2011	Guindi	D7/631
D652,688	S *	1/2012	Guindi	D7/631

(73) Assignee: **Spectrum Diversified Designs, LLC**,
Streetsboro, OH (US)

* cited by examiner

Primary Examiner — Terry Wallace

(**) Term: **14 Years**

(74) *Attorney, Agent, or Firm* — Benesch Friedlander
Coplan & Aronoff LLP

(21) Appl. No.: **29/507,684**

(57) **CLAIM**

What is claimed is the ornamental design for a napkin holder,
as shown and described.

(22) Filed: **Oct. 30, 2014**

DESCRIPTION

(51) **LOC (10) Cl.** **07-06**

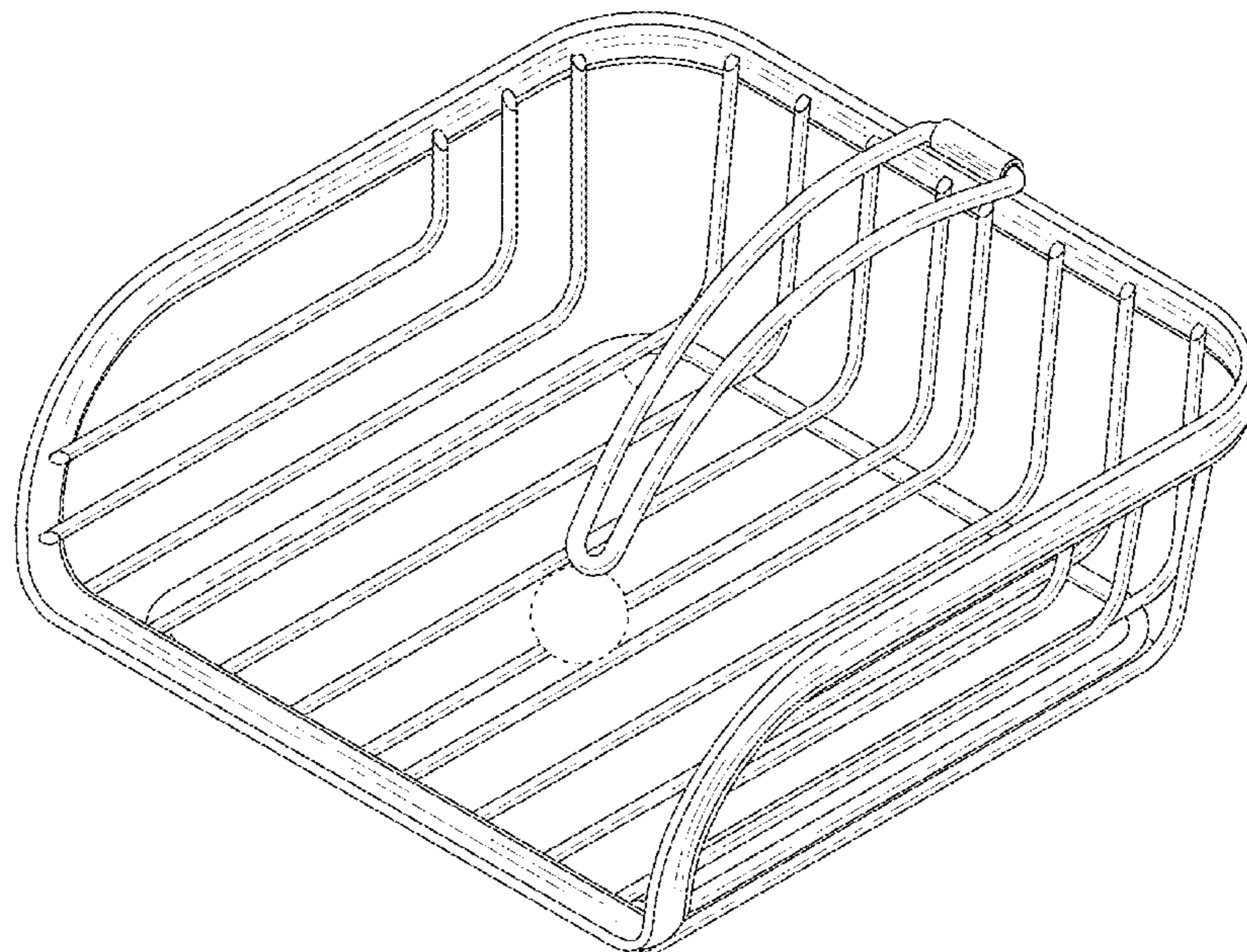
(52) **U.S. Cl.**
USPC **D7/631**

(58) **Field of Classification Search**
USPC D7/631-634, 584, 587, 588, 601, 602,
D7/637, 704; D3/306; D19/86, 75, 90, 92,
D19/95; D6/673, 675.2, 675.5, 676.5,
D6/677.5, 678.4, 680.3; 211/41.1-41.4,
211/181.1, 13.1, 11, 126.9, 133.5, 85.31,
211/33, 34, 59.2, 49.1, 45, 50; 220/485,
220/491
CPC A47G 21/16; A47K 10/423; A47K 10/42;
A47K 10/421

FIG. 1 is a perspective view of a napkin holder showing a new design;
FIG. 2 is a front view of the napkin holder of FIG. 1;
FIG. 3 is a rear view of the napkin holder of FIG. 1;
FIG. 4 is a top view of the napkin holder of FIG. 1;
FIG. 5 is a bottom view of the napkin holder of FIG. 1;
FIG. 6 is a side view of the napkin holder of FIG. 1;
FIG. 7 is a cross sectional view taken along line 7-7 of FIG. 6;
FIG. 8 is a perspective view of another embodiment of the
napkin holder of FIG. 1; and,
FIG. 9 is a cross sectional view taken along line 9-9 of FIG. 8.
The components of the display shown in broken lines illus-
trate portions of the napkin holder form no part of the claimed
design.

See application file for complete search history.

1 Claim, 5 Drawing Sheets



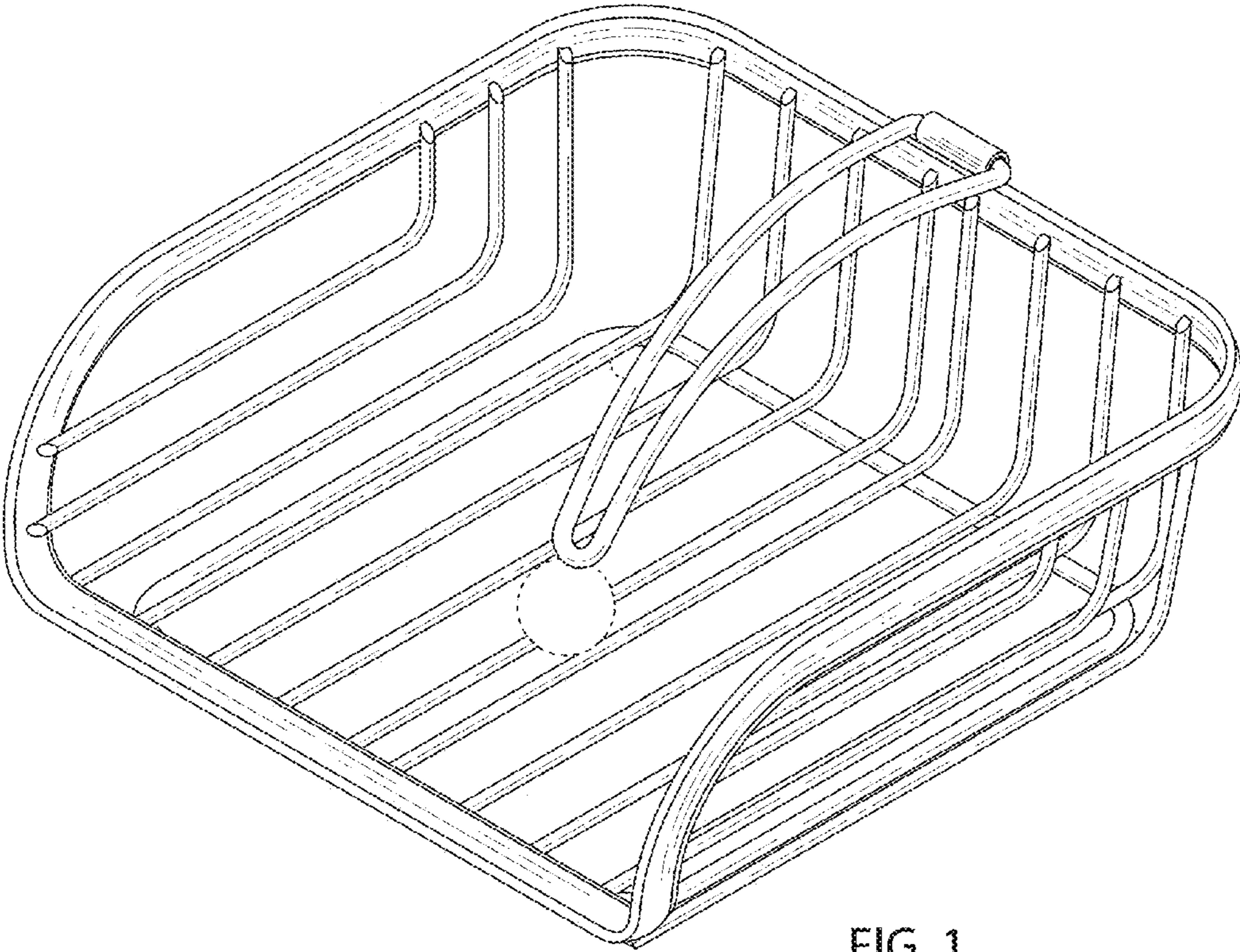


FIG. 1

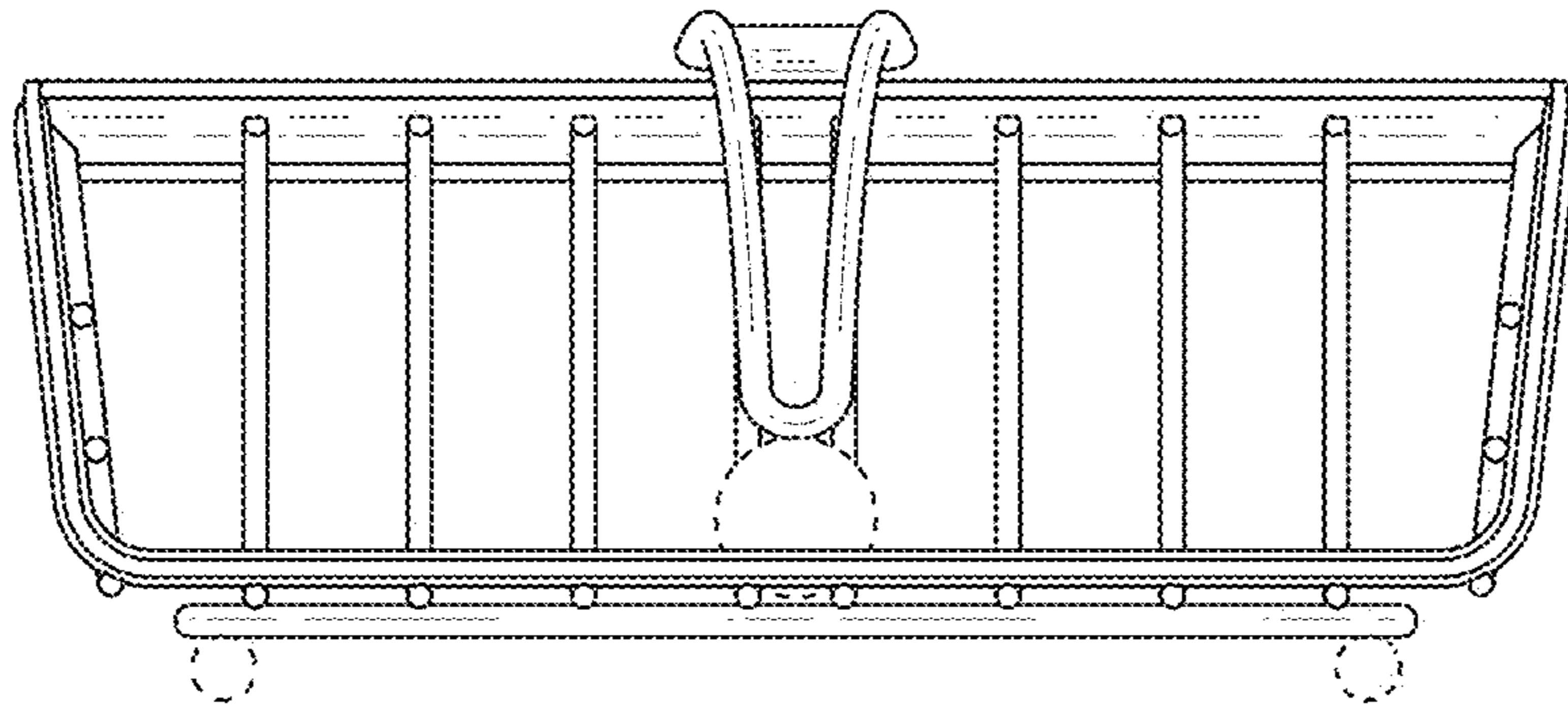


FIG. 2

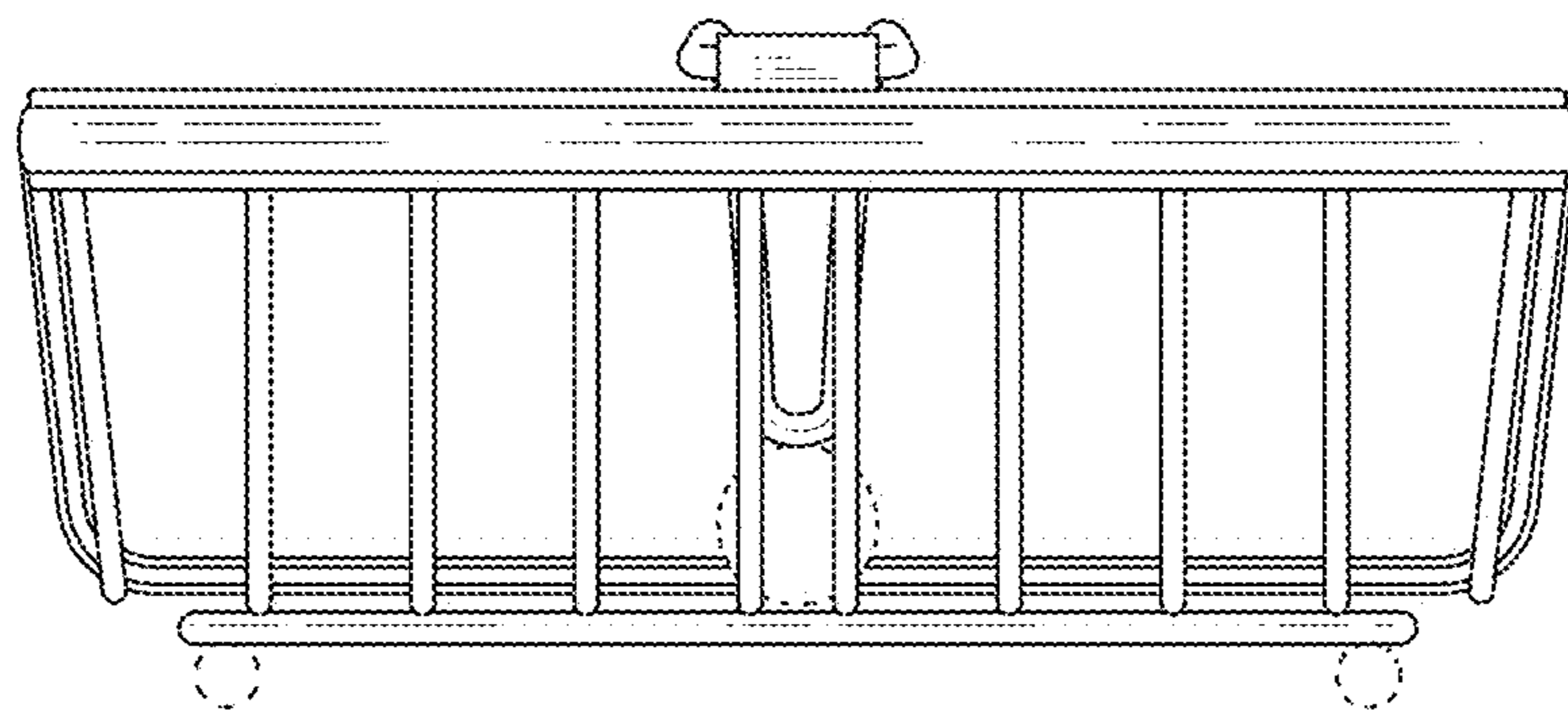


FIG. 3

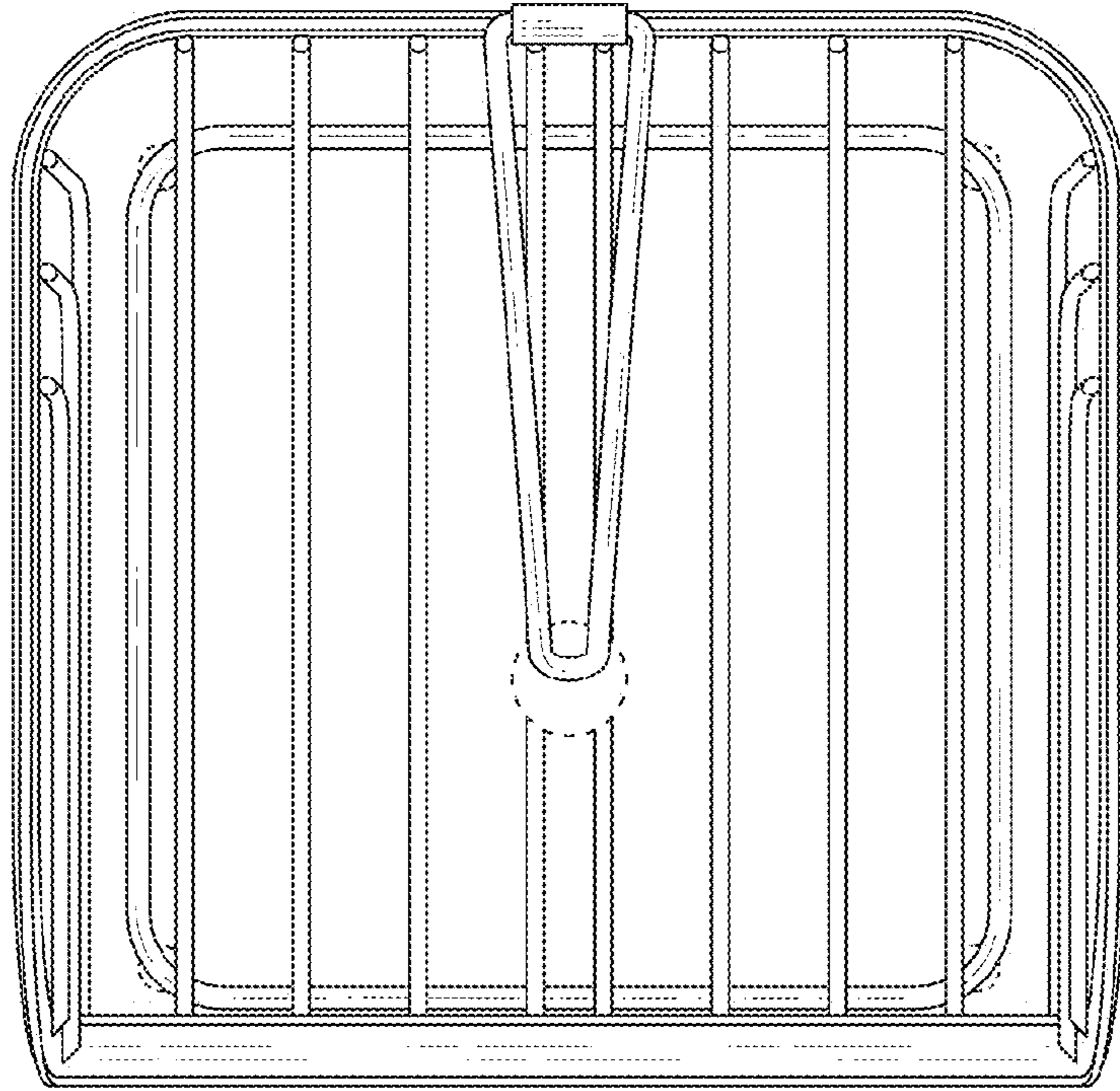


FIG. 4

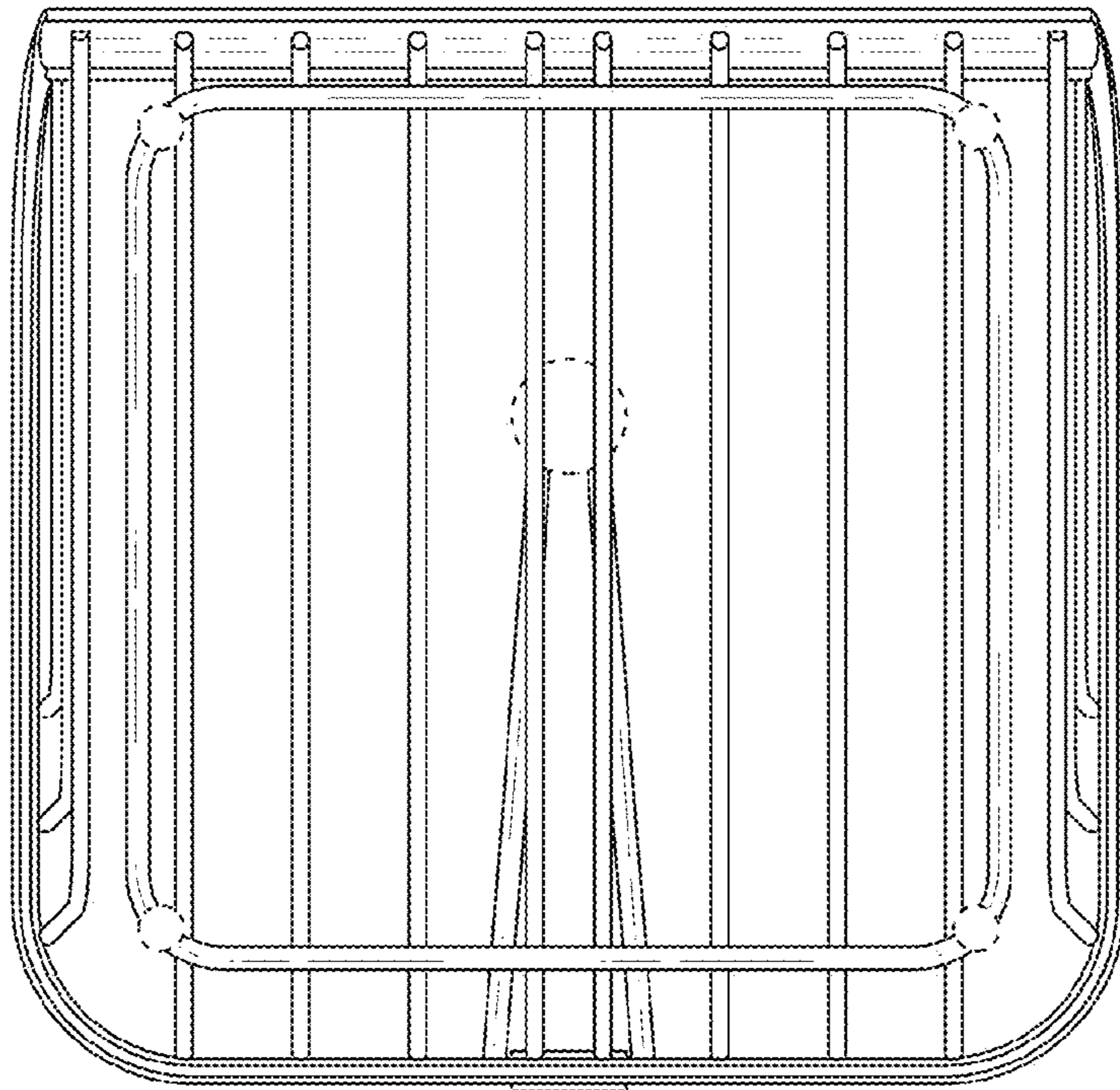


FIG. 5

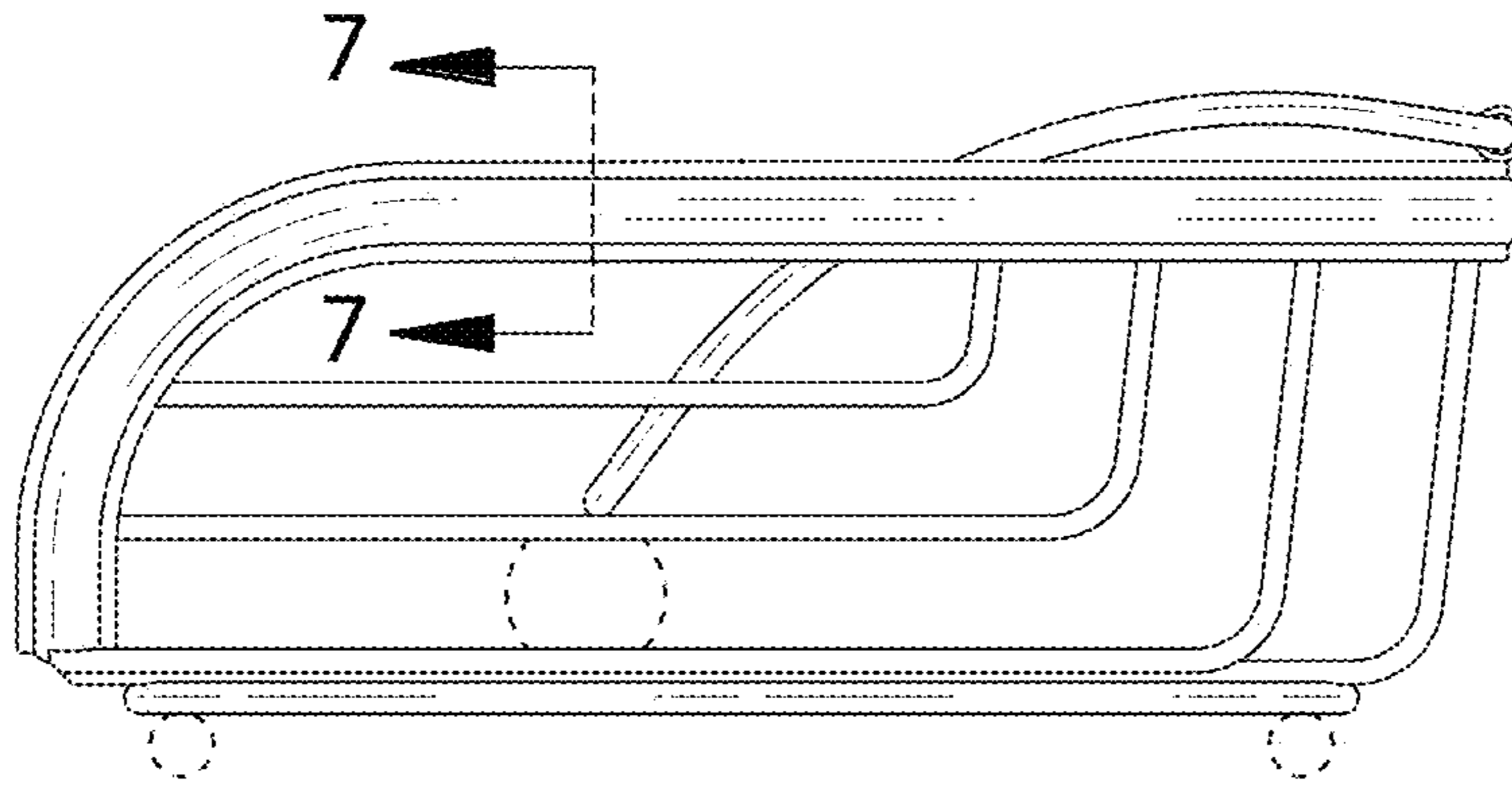


FIG. 6

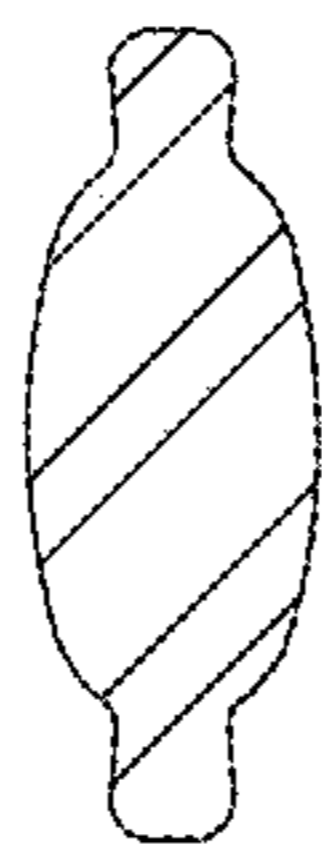


FIG. 7

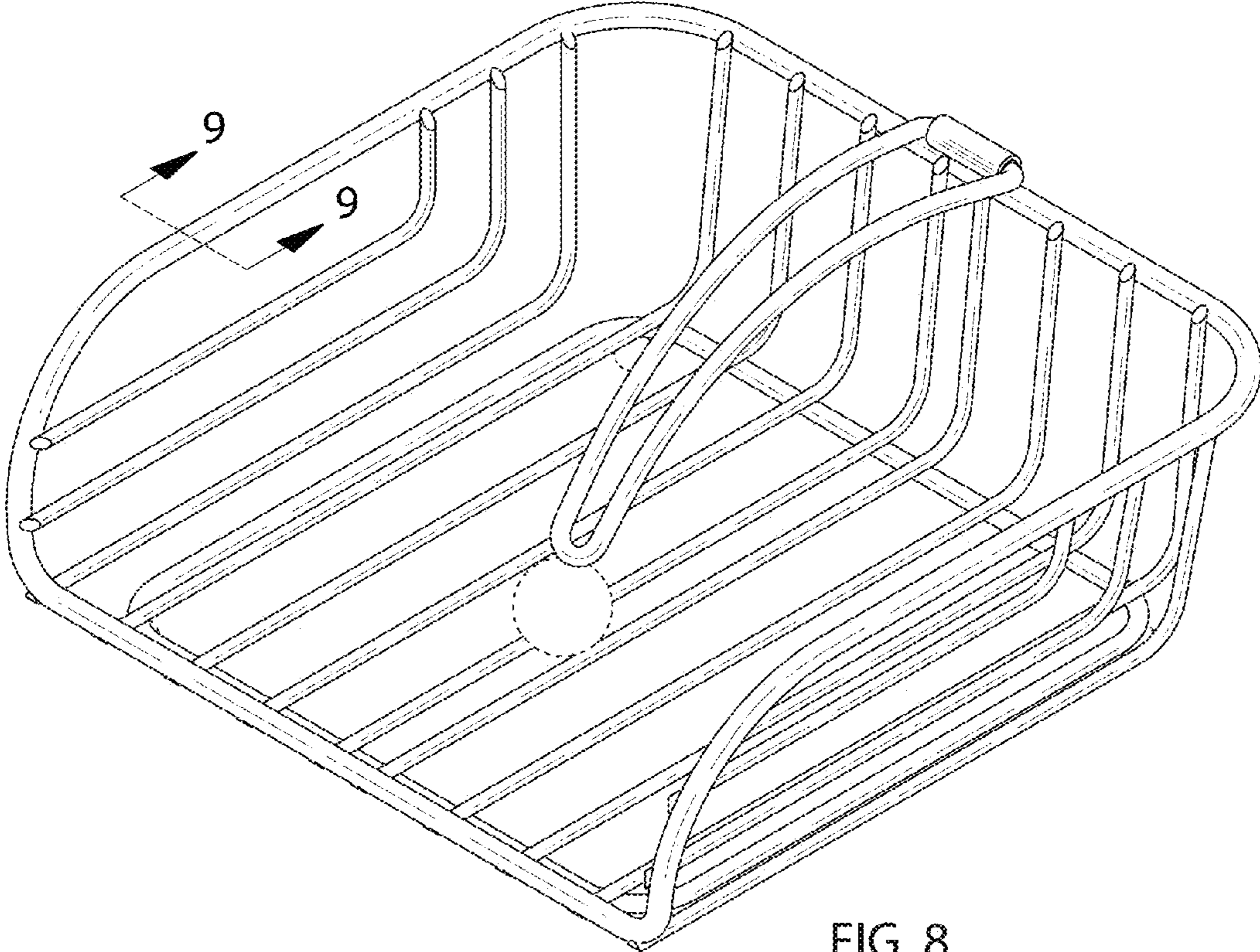


FIG. 8

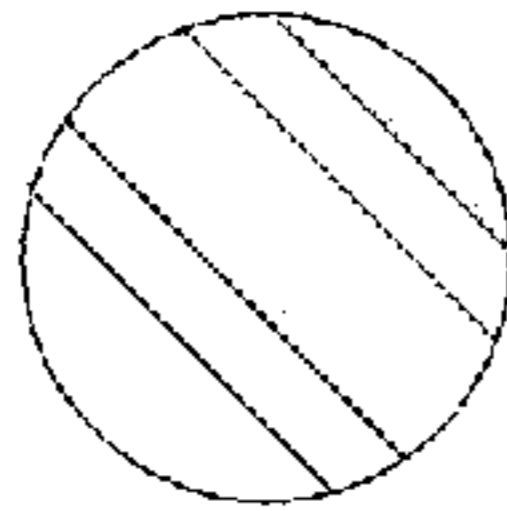


FIG. 9