



US00D748440S

(12) **United States Design Patent**
Stamper et al.

(10) **Patent No.:** **US D748,440 S**

(45) **Date of Patent:** **** Feb. 2, 2016**

(54) **STORAGE CONTAINER WITH LID**

(56) **References Cited**

(71) Applicants: **Leonard R. Stamper**, Foothill Ranch,
CA (US); **Brian J. Sykes**, Mission Viejo,
CA (US)

U.S. PATENT DOCUMENTS

D342,817 S	*	12/1993	Lippisch	D34/1
D351,791 S	*	10/1994	Morris, Sr.	D9/425
D356,497 S		3/1995	Zimmerman	
D447,382 S		9/2001	Tucker	
D485,468 S		1/2004	Roth	
D610,412 S	*	2/2010	Matsumoto	D7/629
D655,576 S		3/2012	Samartgis	
D671,373 S		11/2012	Kimmel	
D684,008 S		6/2013	Dagan	

(72) Inventors: **Leonard R. Stamper**, Foothill Ranch,
CA (US); **Brian J. Sykes**, Mission Viejo,
CA (US)

(73) Assignee: **Shye Worldwide LLC**, Lake Forest, CA
(US)

* cited by examiner

(**) Term: **14 Years**

Primary Examiner — Terry Wallace

(21) Appl. No.: **29/474,204**

(74) *Attorney, Agent, or Firm* — Charles L. Thomason

(22) Filed: **Jul. 10, 2014**

(57) **CLAIM**

The ornamental design for a storage container with lid, as shown and described.

Related U.S. Application Data

DESCRIPTION

(63) Continuation-in-part of application No. 29/446,112,
filed on Feb. 20, 2013, now Pat. No. Des. 712,697.

FIG. 1 depicts the storage container with lid, in a front iso-
metric view.

(51) **LOC (10) Cl.** **07-07**

FIG. 2 depicts the storage container with lid in a front side
view.

(52) **U.S. Cl.**
USPC **D7/629**

FIG. 3 depicts the storage container with lid in a rear side
view.

(58) **Field of Classification Search**
USPC D7/602, 629, 630; D9/424–432;
220/780–806, 574–575, 669–675,
220/4.21–4.27
CPC B65D 2543/00296; B65D 21/02;
B65D 21/004

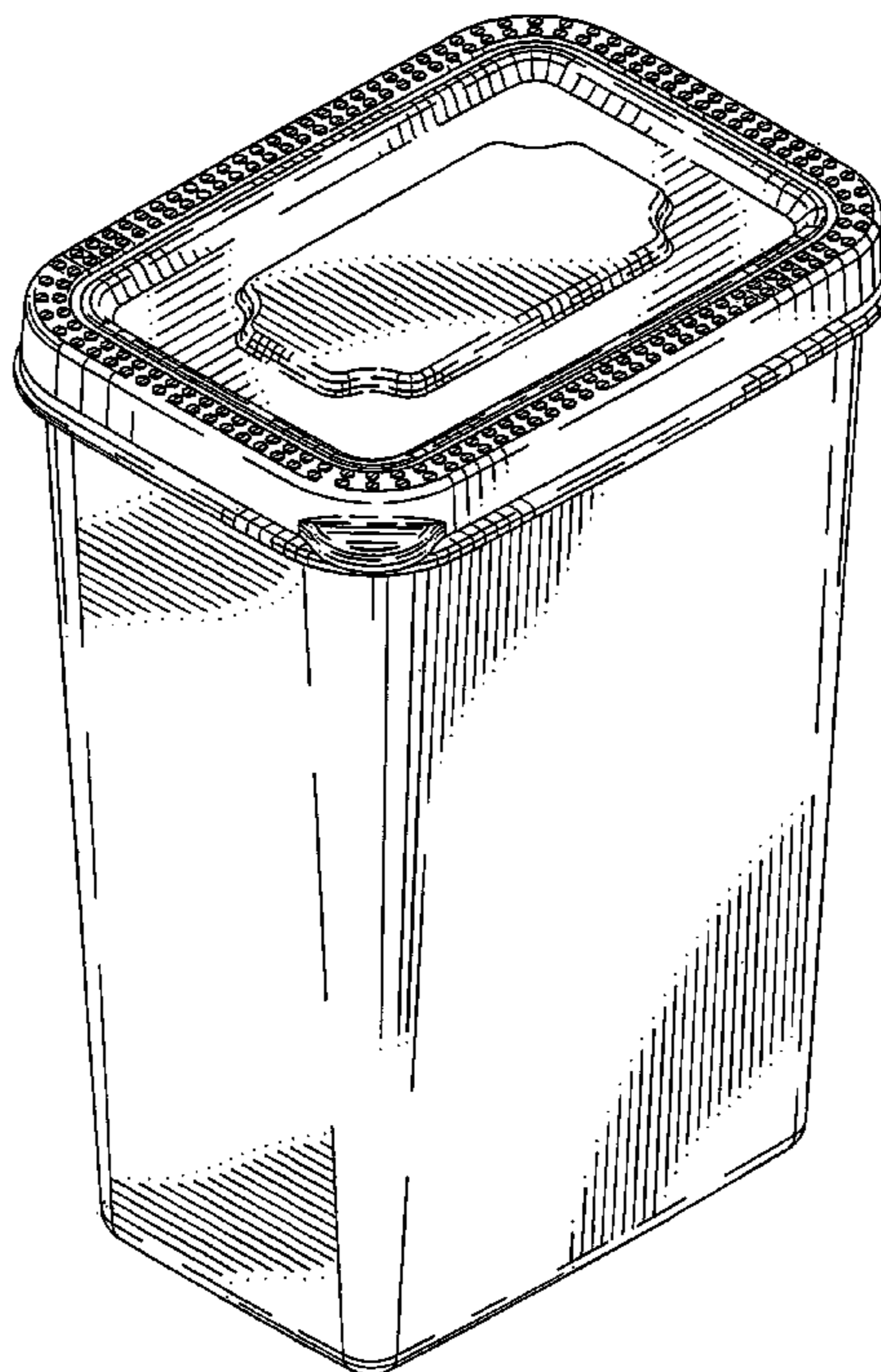
FIG. 4 depicts the storage container with lid in an end side
view.

FIG. 5 depicts the storage container with lid in the opposite
end side view.

See application file for complete search history.

FIG. 6 depicts the storage container lid in a top view; and,
FIG. 7 depicts the storage container in bottom view.

1 Claim, 7 Drawing Sheets



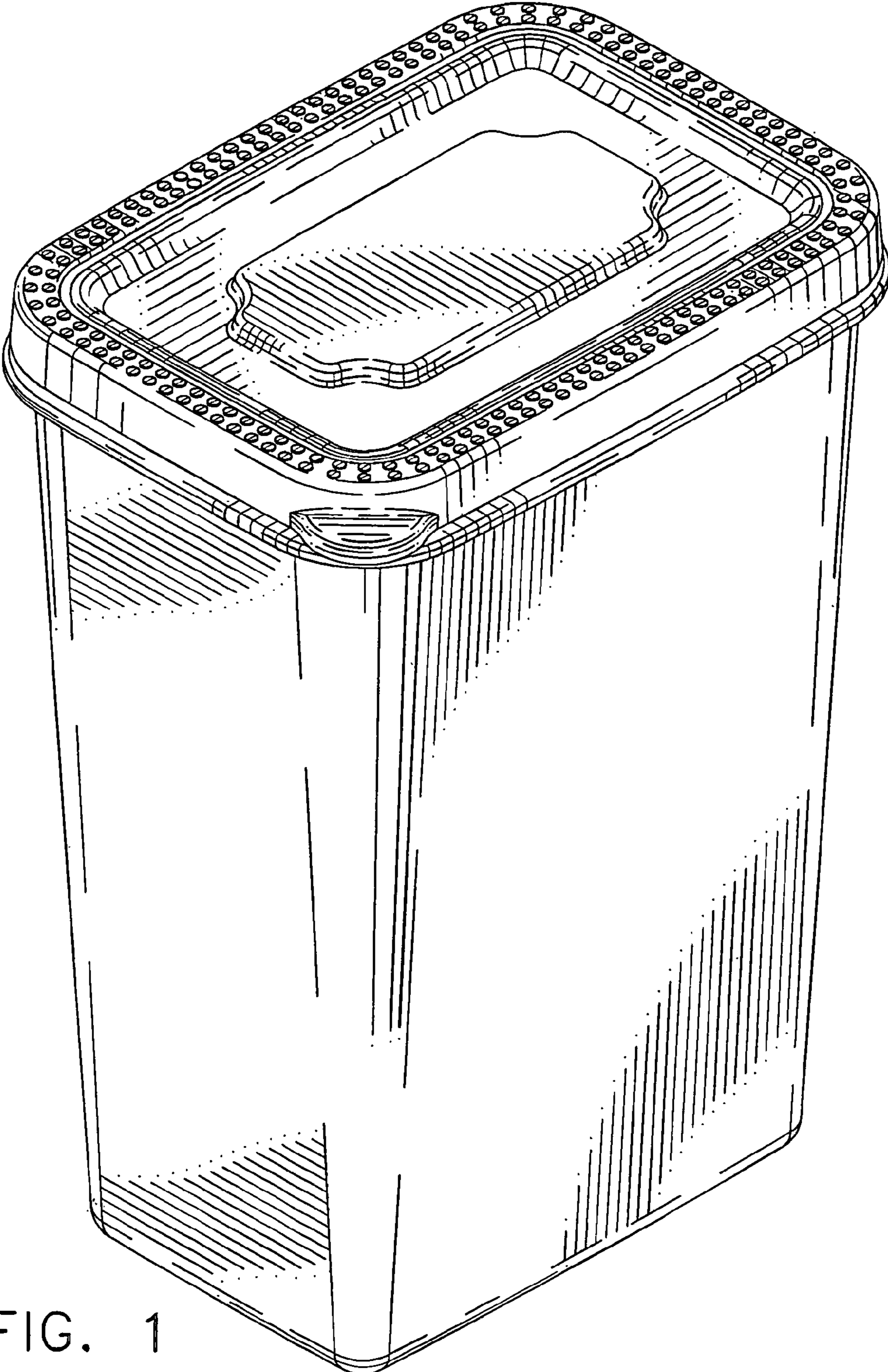


FIG. 1

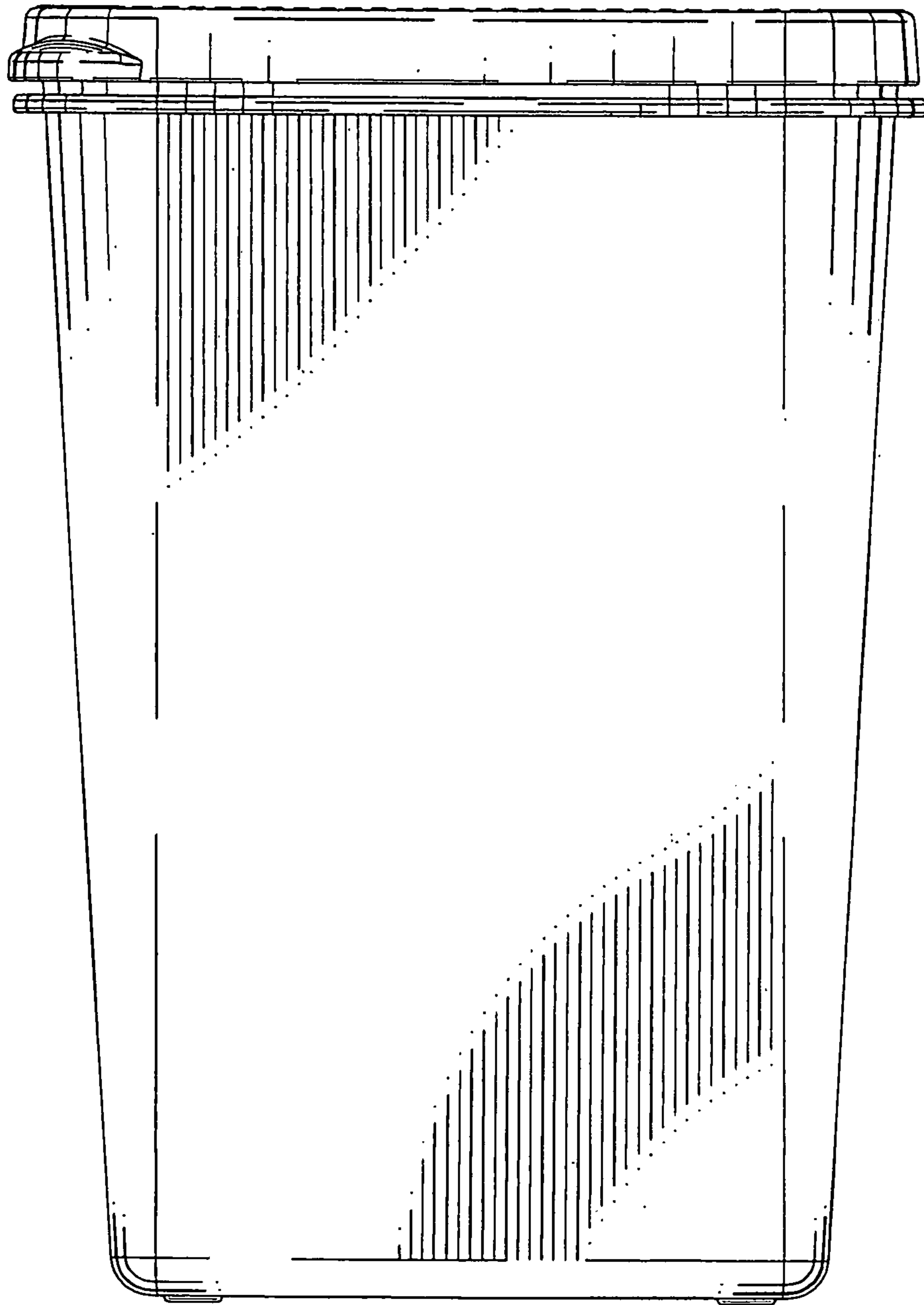


FIG. 2

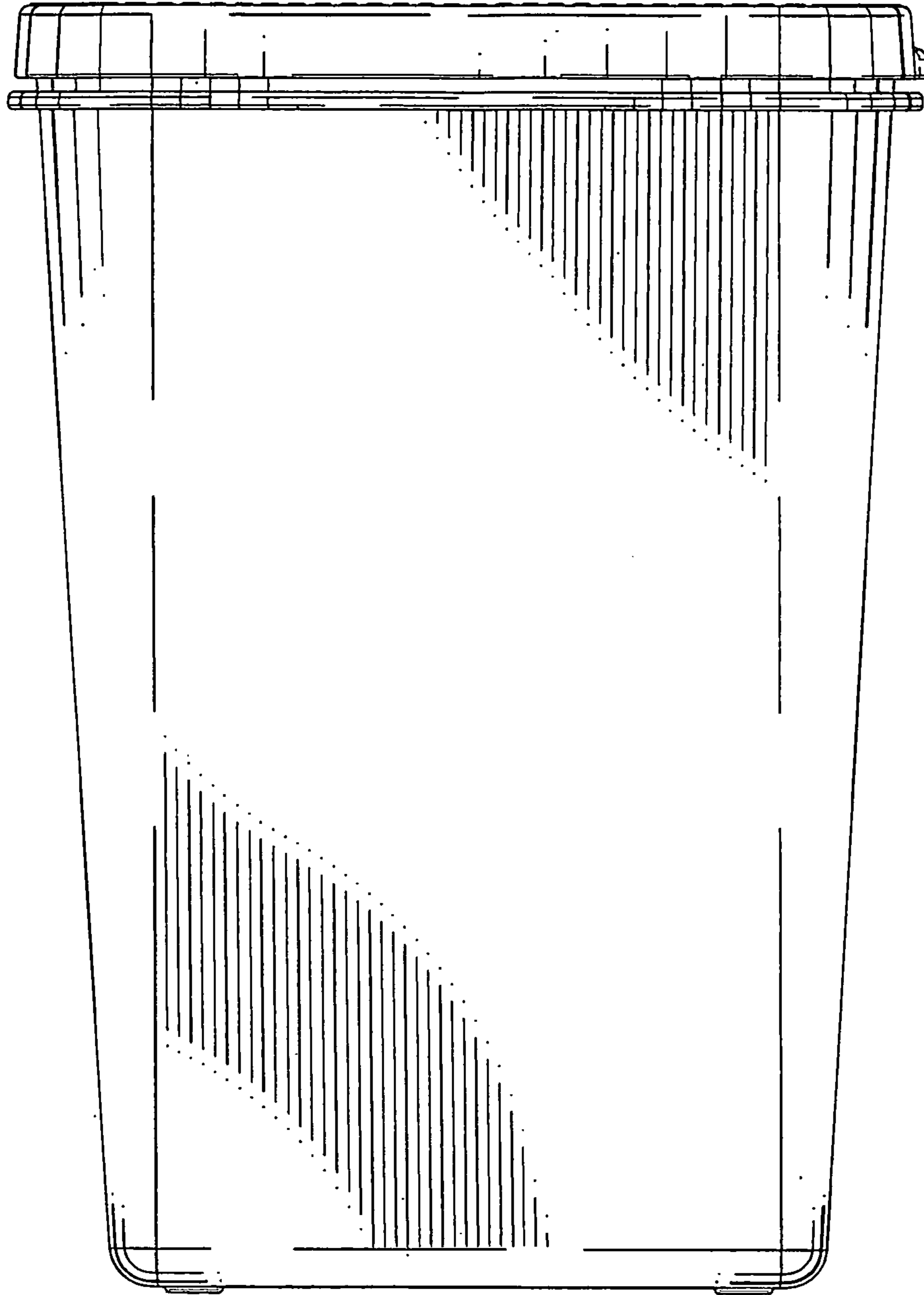


FIG. 3

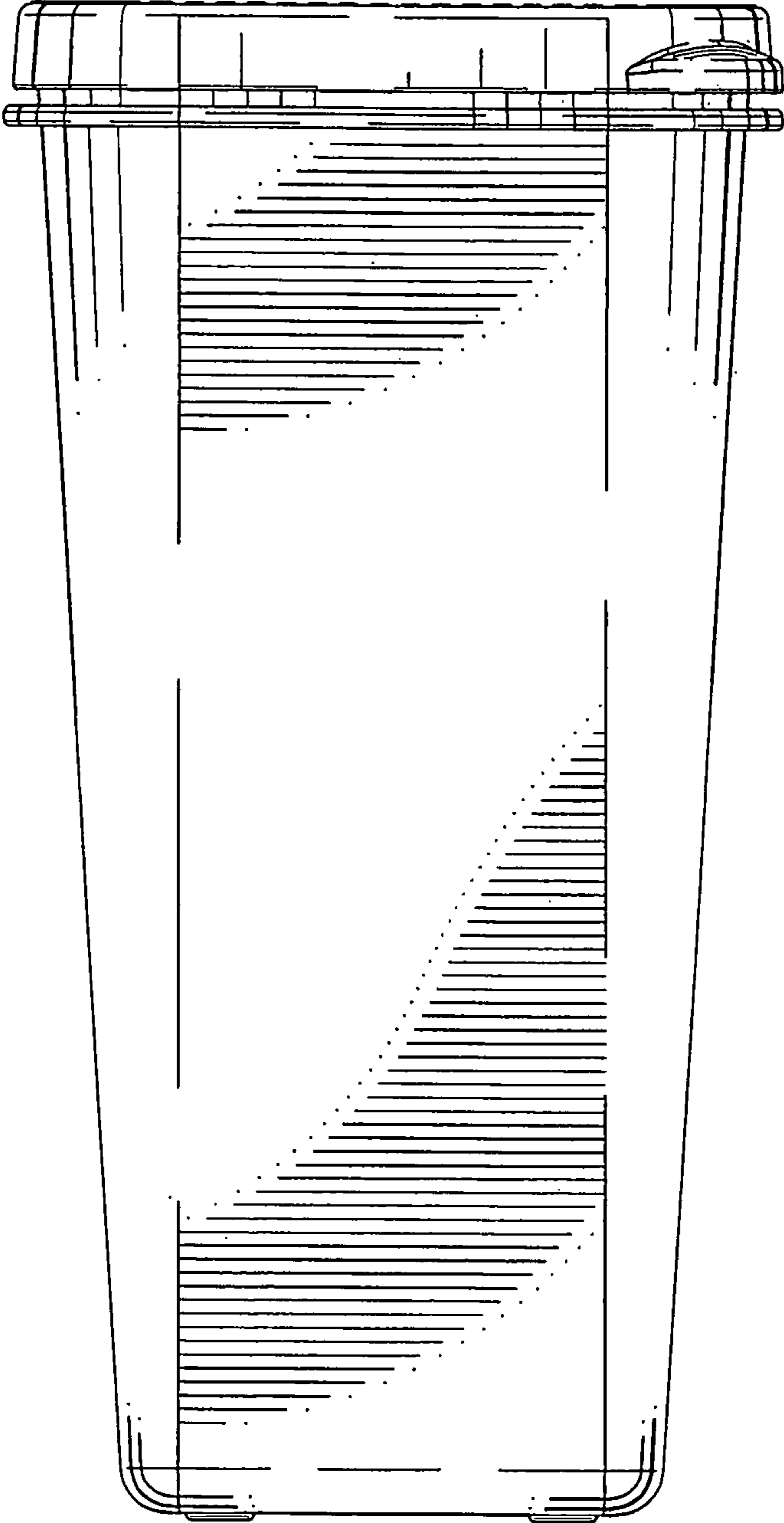


FIG. 4

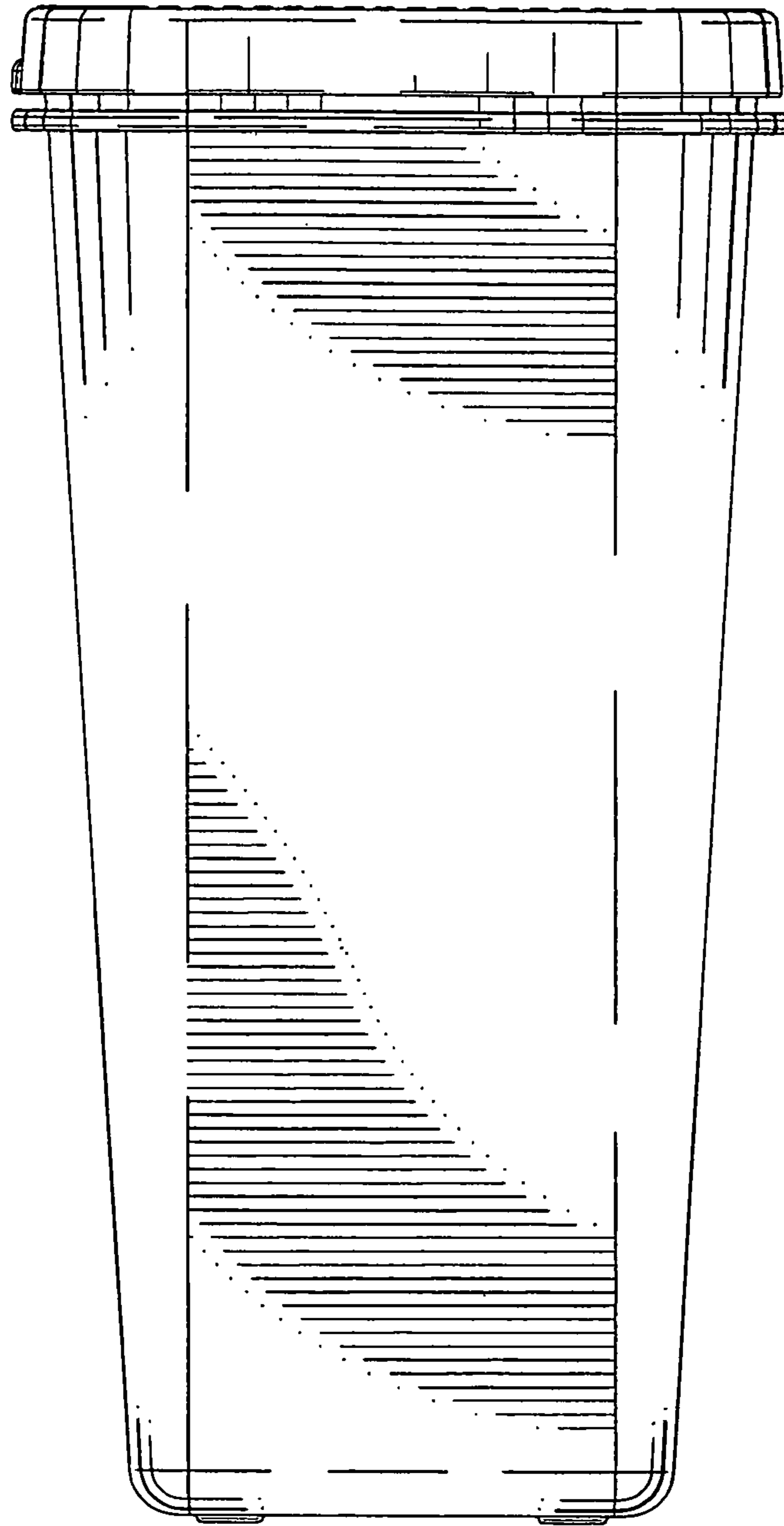


FIG. 5

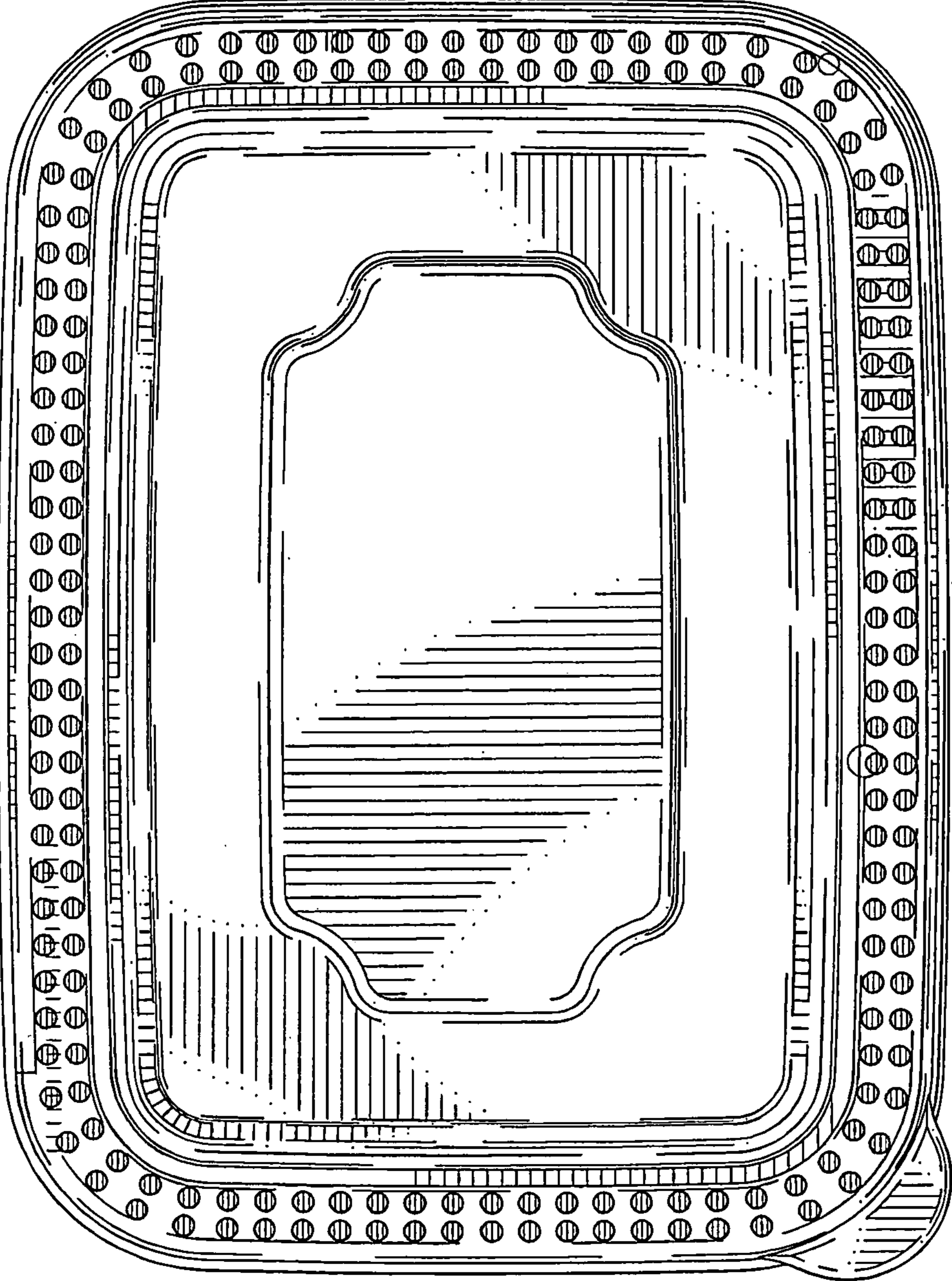


FIG. 6

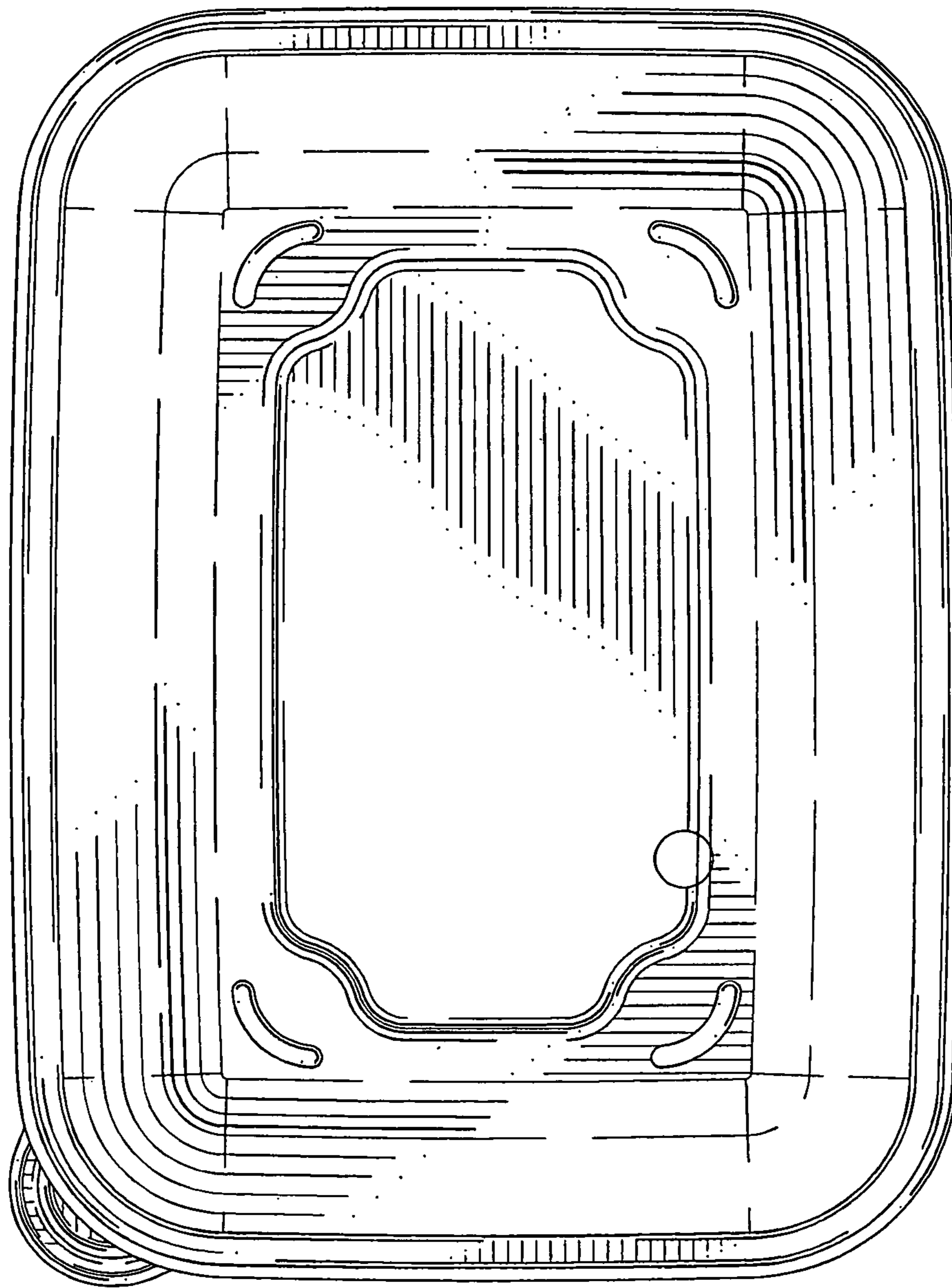


FIG. 7