



US00D748438S

(12) **United States Design Patent**
Goodman et al.

(10) **Patent No.:** **US D748,438 S**
(45) **Date of Patent:** **** Feb. 2, 2016**

(54) **TWO TIER SERVER**

(56) **References Cited**

(71) Applicant: **Spectrum Diversified Designs, Inc.**,
Streetsboro, OH (US)
(72) Inventors: **Sheldon H. Goodman**, Solon, OH (US);
Phaysouk Xayoiphonh, Akron, OH
(US)
(73) Assignee: **Spectrum Diversified, LLC**,
Streetsboro, OH (US)
(**) Term: **14 Years**
(21) Appl. No.: **29/495,462**
(22) Filed: **Jul. 1, 2014**
(51) **LOC (10) Cl.** **07-01**
(52) **U.S. Cl.**
USPC **D7/601**
(58) **Field of Classification Search**
USPC D7/601, 584, 586, 587; D3/304, 306;
220/574–575, 485–495; 211/191.1,
211/13.1, 41.3, 41.4, 85.4, 85.31
CPC B65D 7/20; B65D 7/26; B65D 7/14
See application file for complete search history.

U.S. PATENT DOCUMENTS

D569,691 S *	5/2008	Goodman	D7/601
D613,559 S *	4/2010	Goodman	D7/601
D616,253 S *	5/2010	Goodman	D7/601
D620,711 S *	8/2010	Hertaus	D3/306
D664,007 S *	7/2012	Goodman	D7/601

* cited by examiner

Primary Examiner — Terry Wallace

(74) *Attorney, Agent, or Firm* — Benesch Friedlander
Coplan & Aronoff LLP

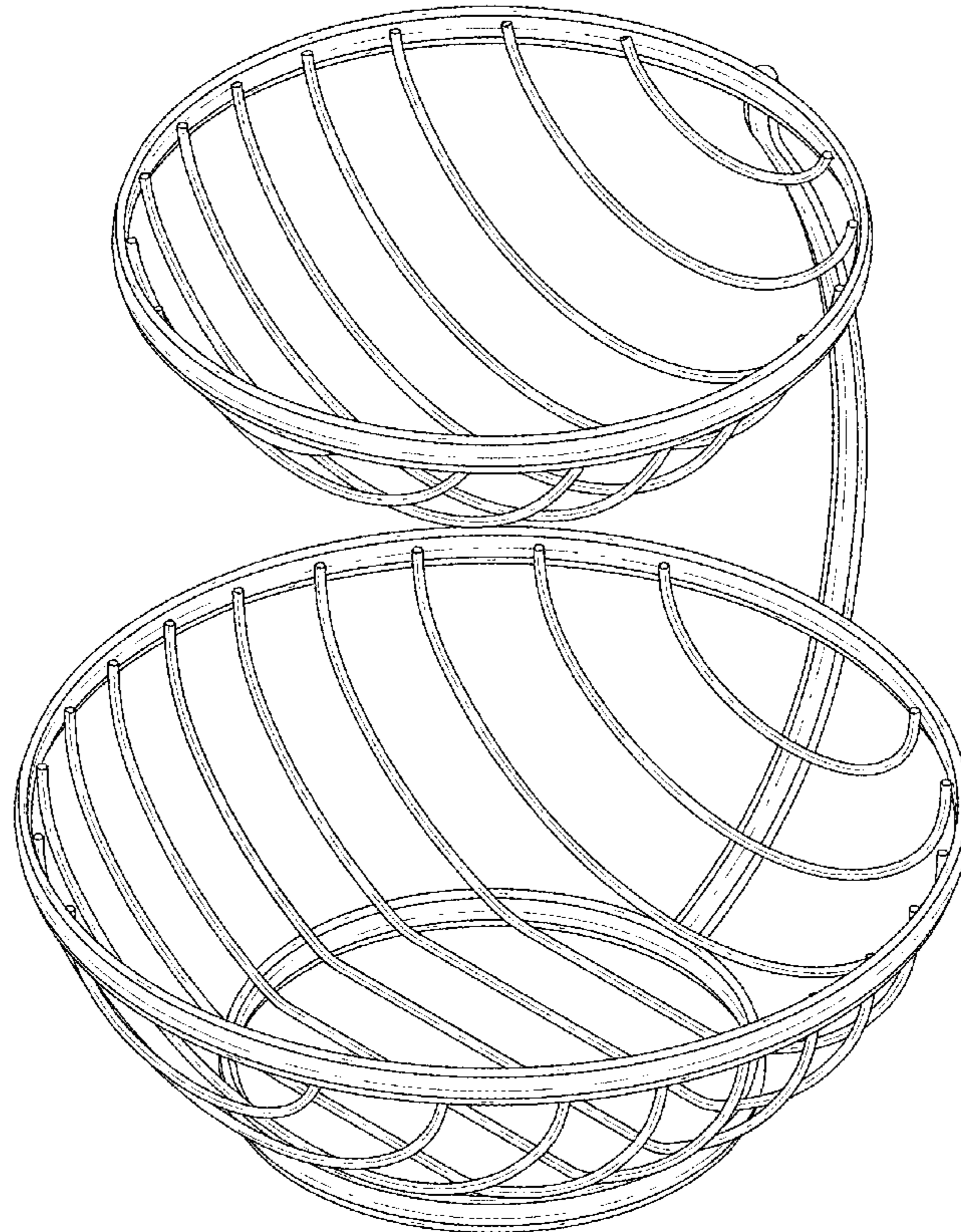
(57) **CLAIM**

What is claimed is the ornamental design for a two tier server,
as shown and described.

DESCRIPTION

FIG. 1 is a perspective view of a two tier server showing a new
design;
FIG. 2 is a front view of the two tier server of FIG. 1;
FIG. 3 is a side view of the two tier server of FIG. 1;
FIG. 4 is a rear view of the two tier server of FIG. 1;
FIG. 5 is a cross-sectional view along line 5-5 of FIG. 4;
FIG. 6 is a top view of the two tier server of FIG. 1;
FIG. 7 is a bottom view of the two tier server of FIG. 1;
FIG. 8 is a perspective view another embodiment of the two
tier server of FIG. 1; and,
FIG. 9 is a cross-sectional view along line 9-9 of FIG. 8.

1 Claim, 4 Drawing Sheets



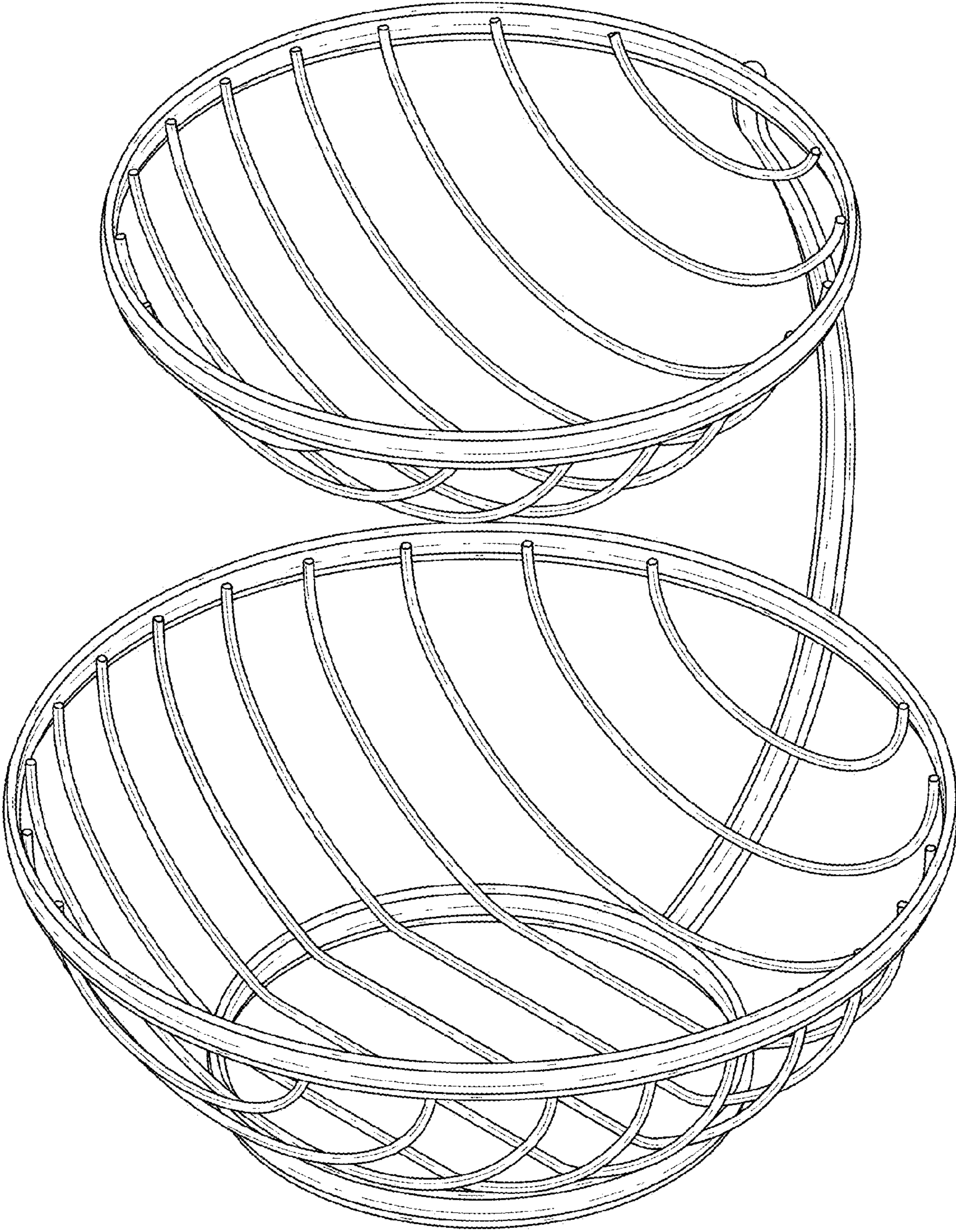


FIG. 1

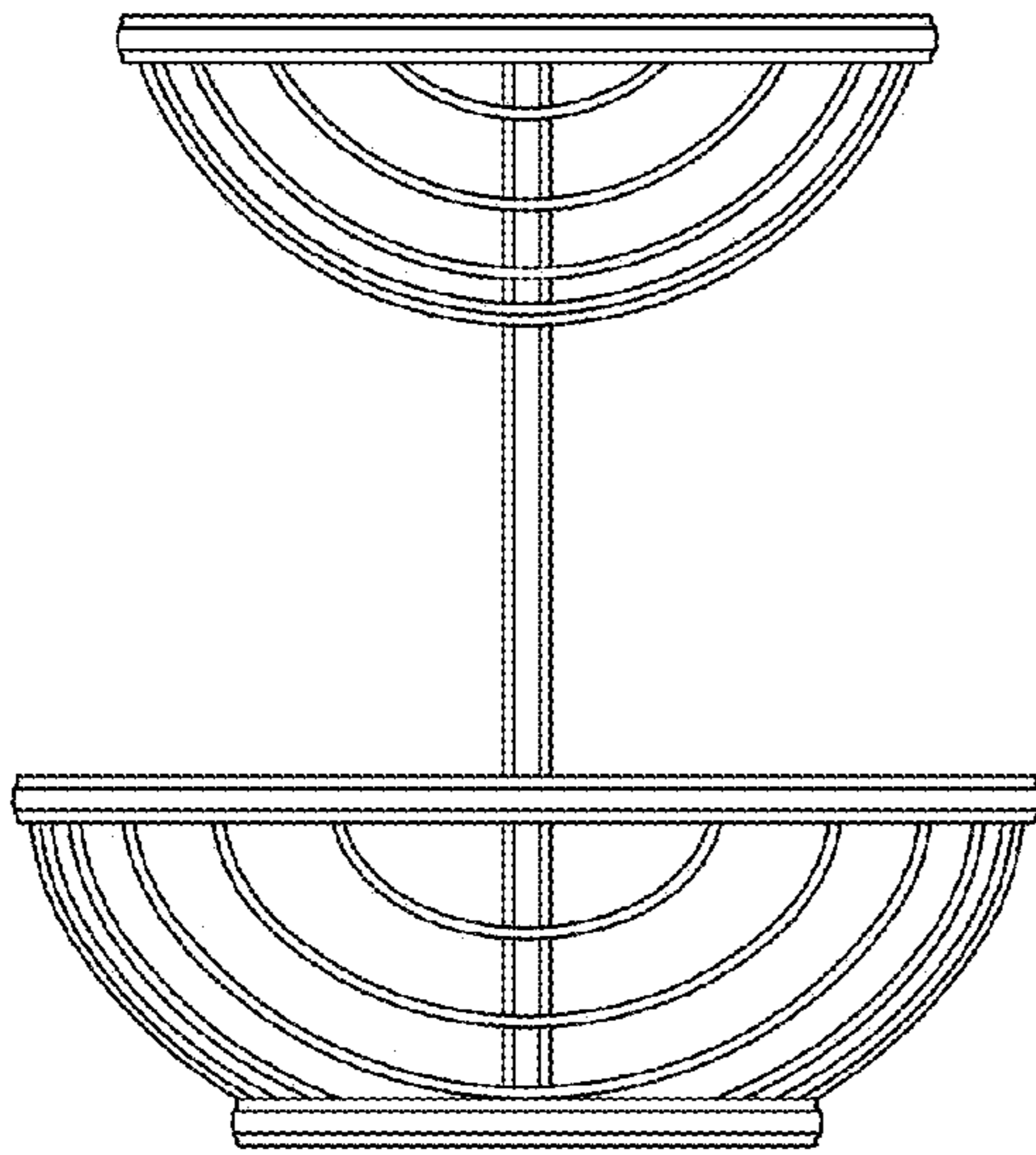


FIG. 2

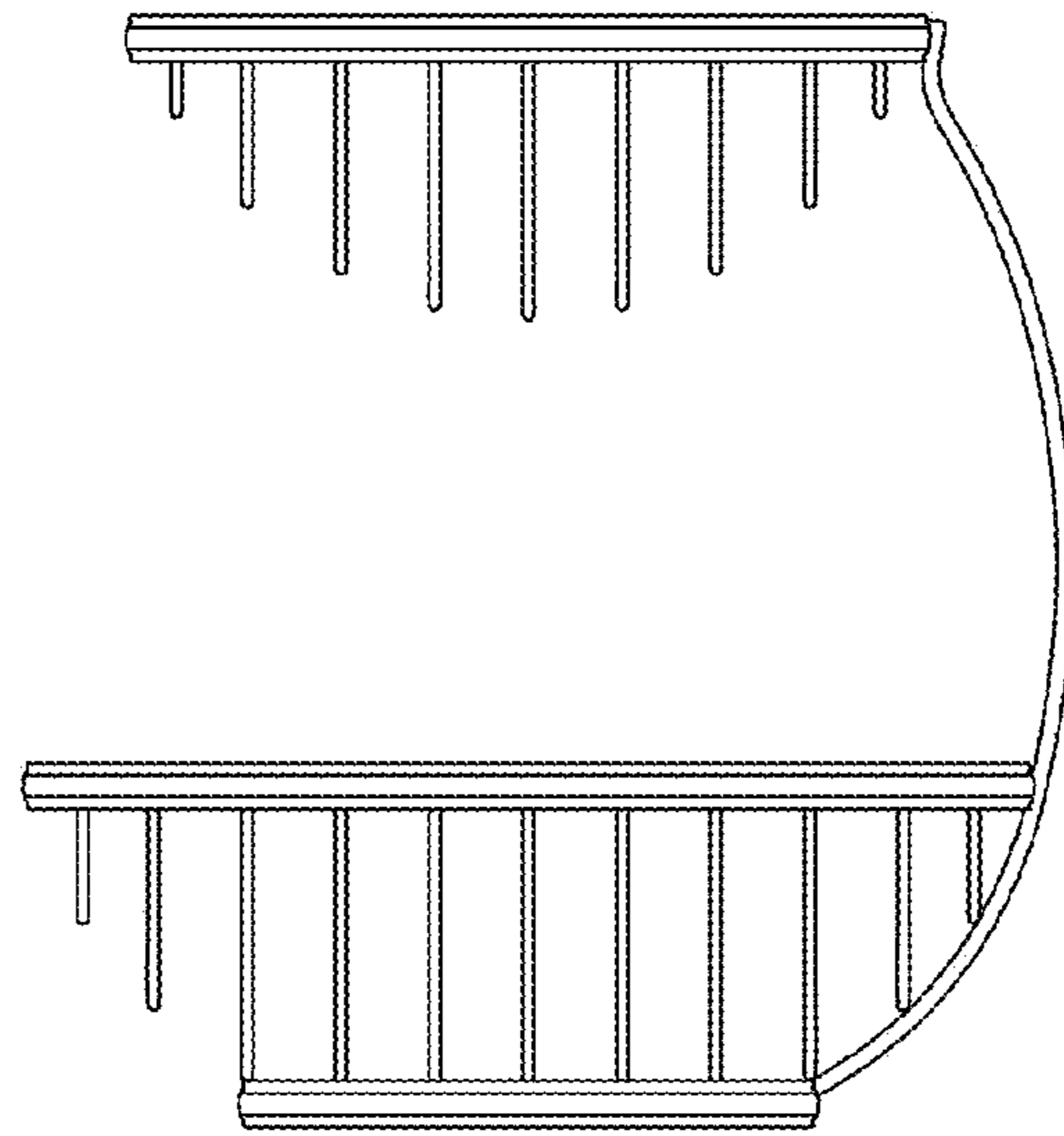


FIG. 3

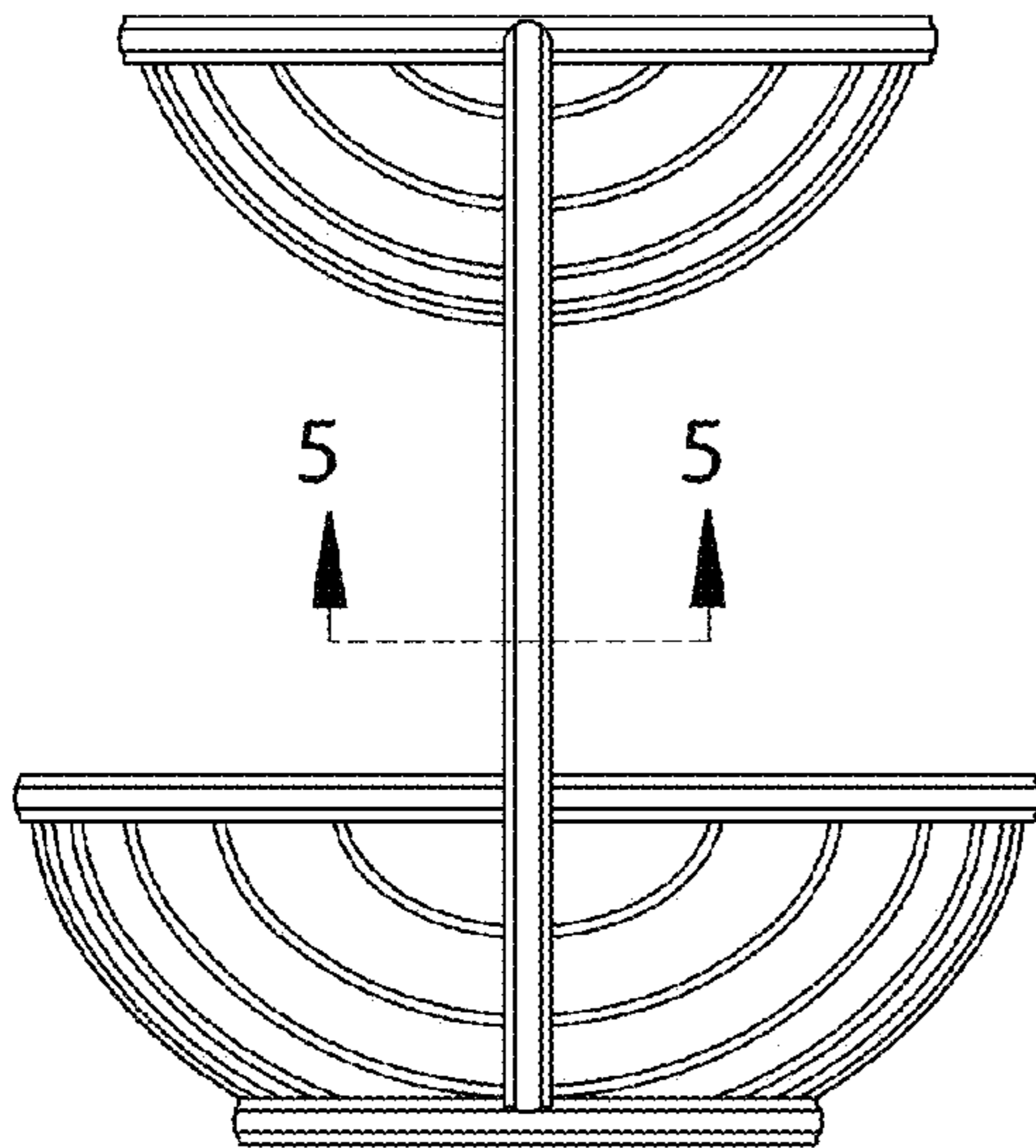


FIG. 4



FIG 5

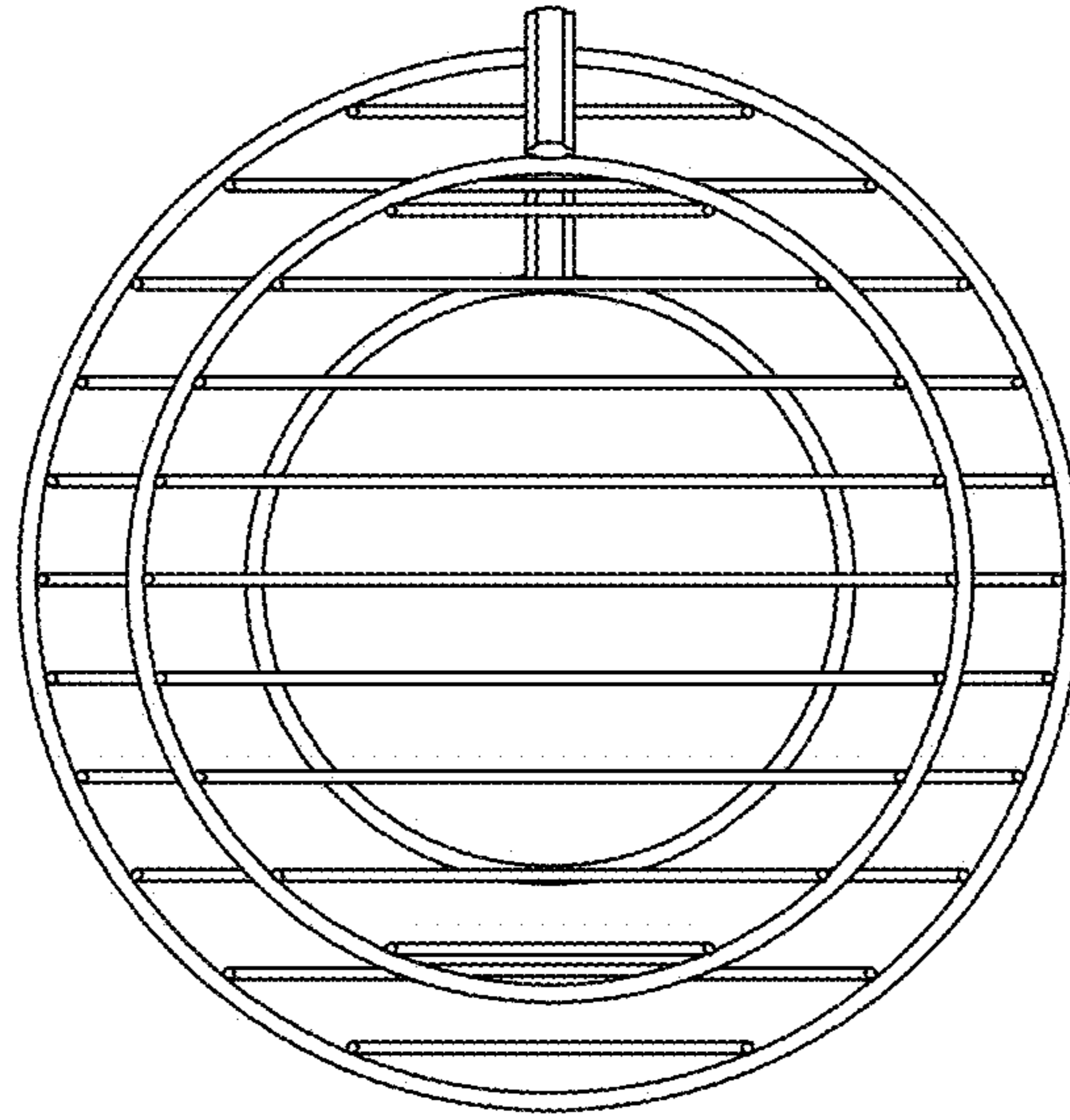


FIG. 6

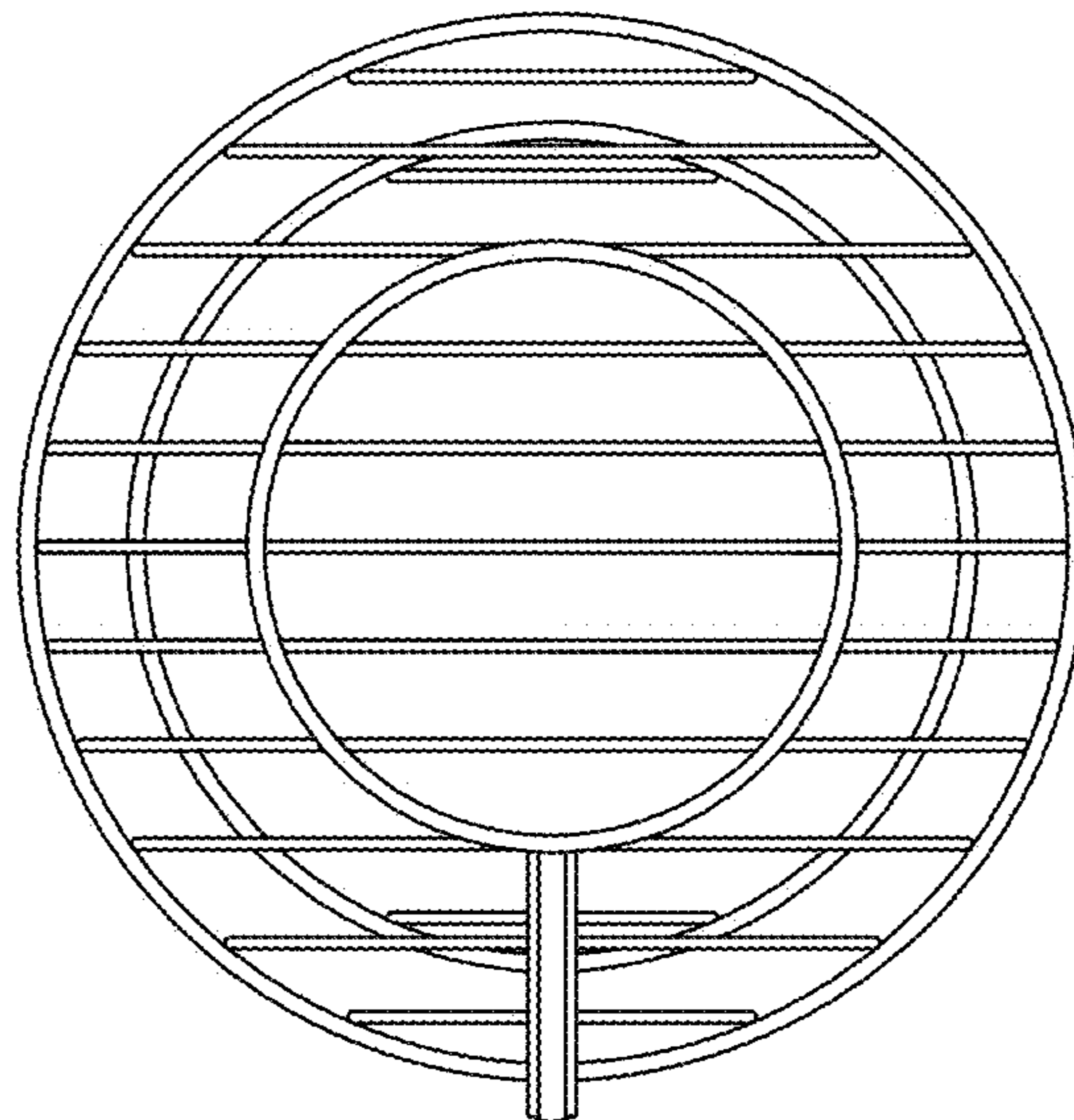


FIG. 7

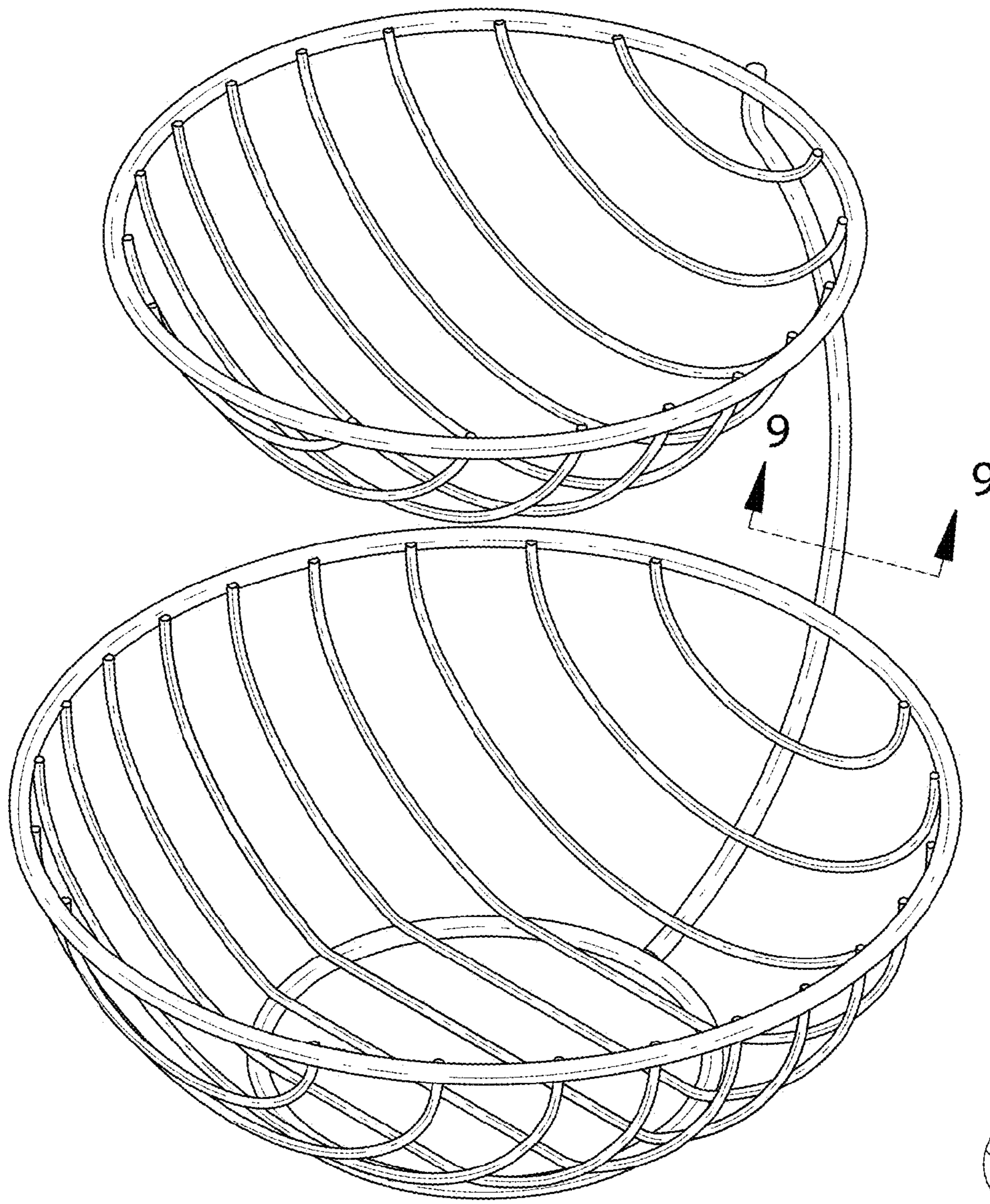


FIG. 8

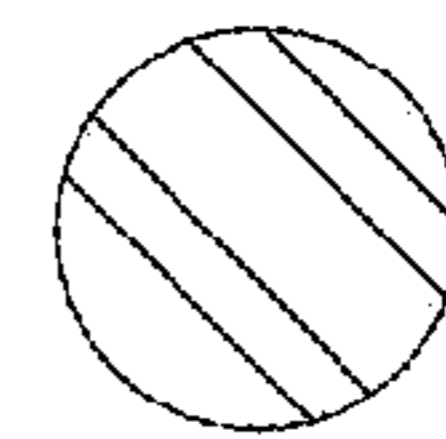


FIG 9