



US00D748437S

(12) **United States Design Patent**
Goodman et al.

(10) **Patent No.:** **US D748,437 S**
(45) **Date of Patent:** **** Feb. 2, 2016**

- (54) **FRUIT BOWL**
- (71) Applicant: **Spectrum Diversified Designs, Inc.**,
Streetsboro, OH (US)
- (72) Inventors: **Sheldon H. Goodman**, Solon, OH (US);
Phaysouk Xayoiphonh, Akron, OH
(US)
- (73) Assignee: **Spectrum Diversified Designs, LLC**,
Streetsboro, OH (US)
- (**) Term: **14 Years**
- (21) Appl. No.: **29/507,695**
- (22) Filed: **Oct. 30, 2014**
- (51) **LOC (10) Cl.** **07-01**
- (52) **U.S. Cl.**
USPC **D7/584**
- (58) **Field of Classification Search**
USPC D7/584, 500, 560, 554.3, 550.1, 538;
220/574; D30/574; D3/304
CPC A47G 19/02; A47G 19/06; A47G 23/06;
B65D 1/34
See application file for complete search history.

D400,711 S *	11/1998	Hwang	D3/307
D401,067 S *	11/1998	Hampshire	D3/306
D433,548 S *	11/2000	Baines	D32/37
D433,600 S *	11/2000	Hollinger	D7/560
D474,072 S *	5/2003	Tseng	D7/505
D492,112 S *	6/2004	Hardy	D6/306
D496,163 S *	9/2004	Hou	D3/306
D496,164 S *	9/2004	Hou	D3/306
D499,450 S *	12/2004	Goodman	D19/77
D506,104 S *	6/2005	Vidal	D7/554.2
D533,749 S *	12/2006	Guzzini	D3/306
D551,909 S *	10/2007	Eide	D7/560
D573,411 S *	7/2008	Lovett	D7/554.3
D594,284 S *	6/2009	Goodman	D7/500
D604,105 S *	11/2009	Metcalf	D7/388
D730,115 S *	5/2015	Miller	D7/396.4

* cited by examiner

Primary Examiner — Cynthia Underwood

(74) *Attorney, Agent, or Firm* — Benesch Friedlander
Coplan & Aronoff LLP

(57) **CLAIM**

What is claimed is the ornamental design for a fruit bowl, as shown and described.

DESCRIPTION

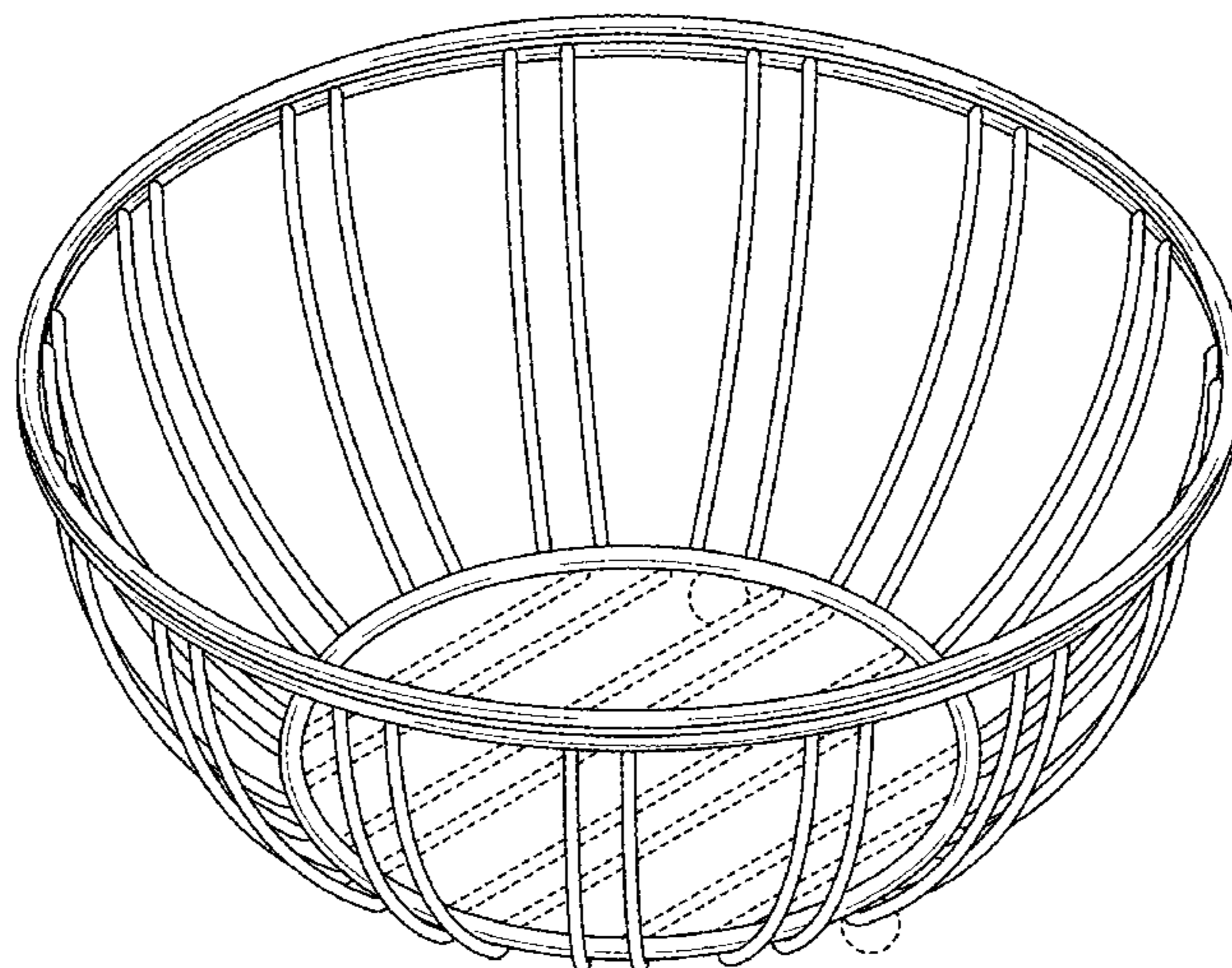
FIG. 1 is a perspective view of a fruit bowl showing a new design;
 FIG. 2 is a front view of the fruit bowl of FIG. 1;
 FIG. 3 is a rear view of the fruit bowl of FIG. 1;
 FIG. 4 is a right side view of the fruit bowl of FIG. 1;
 FIG. 5 is a left side view of the fruit bowl of FIG. 1;
 FIG. 6 is a top view of the fruit bowl of FIG. 1; and,
 FIG. 7 is a bottom view of the fruit bowl of FIG. 1.
 The components of the display shown in broken lines illustrate portions of the fruit bowl form no part of the claimed design.

1 Claim, 5 Drawing Sheets

(56) **References Cited**

U.S. PATENT DOCUMENTS

D154,730 S *	8/1949	Zabel et al.	D3/314
D158,033 S *	4/1950	Zabel et al.	D3/306
D312,519 S *	11/1990	Hobson	D32/37
D335,559 S *	5/1993	Land	D34/1
D344,378 S *	2/1994	Wolff	D32/37
D347,513 S *	5/1994	Yoshikawa	D3/304
D348,345 S *	6/1994	Yoshikawa	D3/307
D372,583 S *	8/1996	Brightbill	D3/312
D393,003 S *	3/1998	Nichols	D19/59



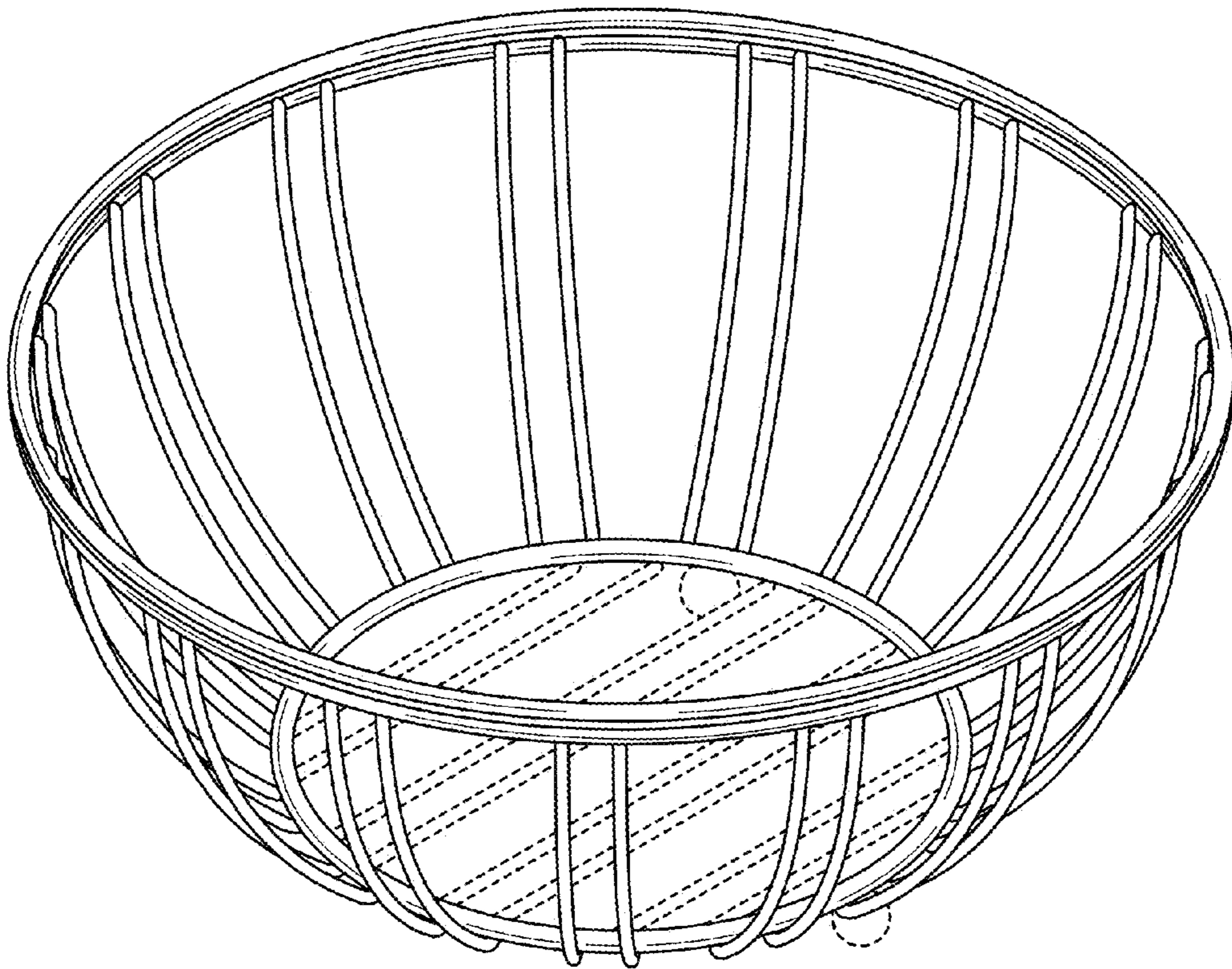


FIG. 1

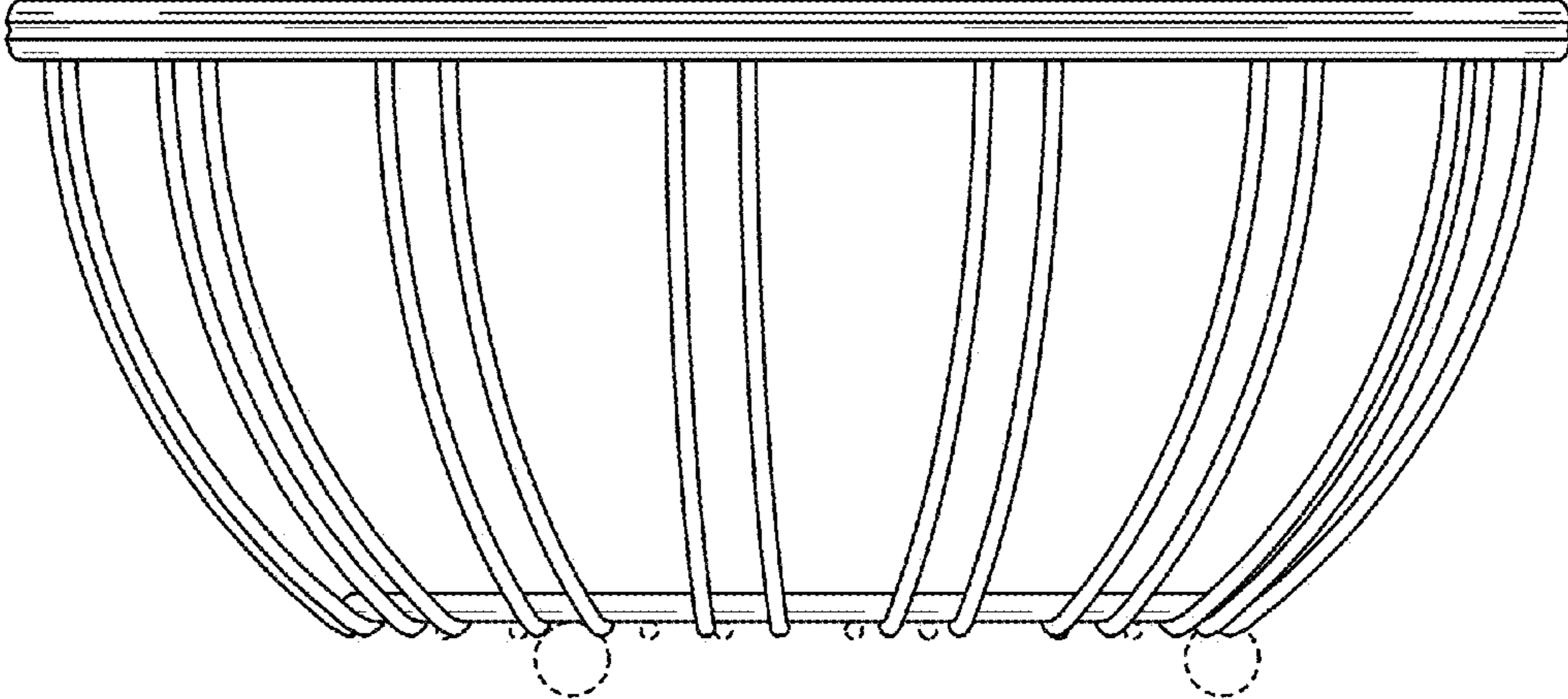


FIG. 2

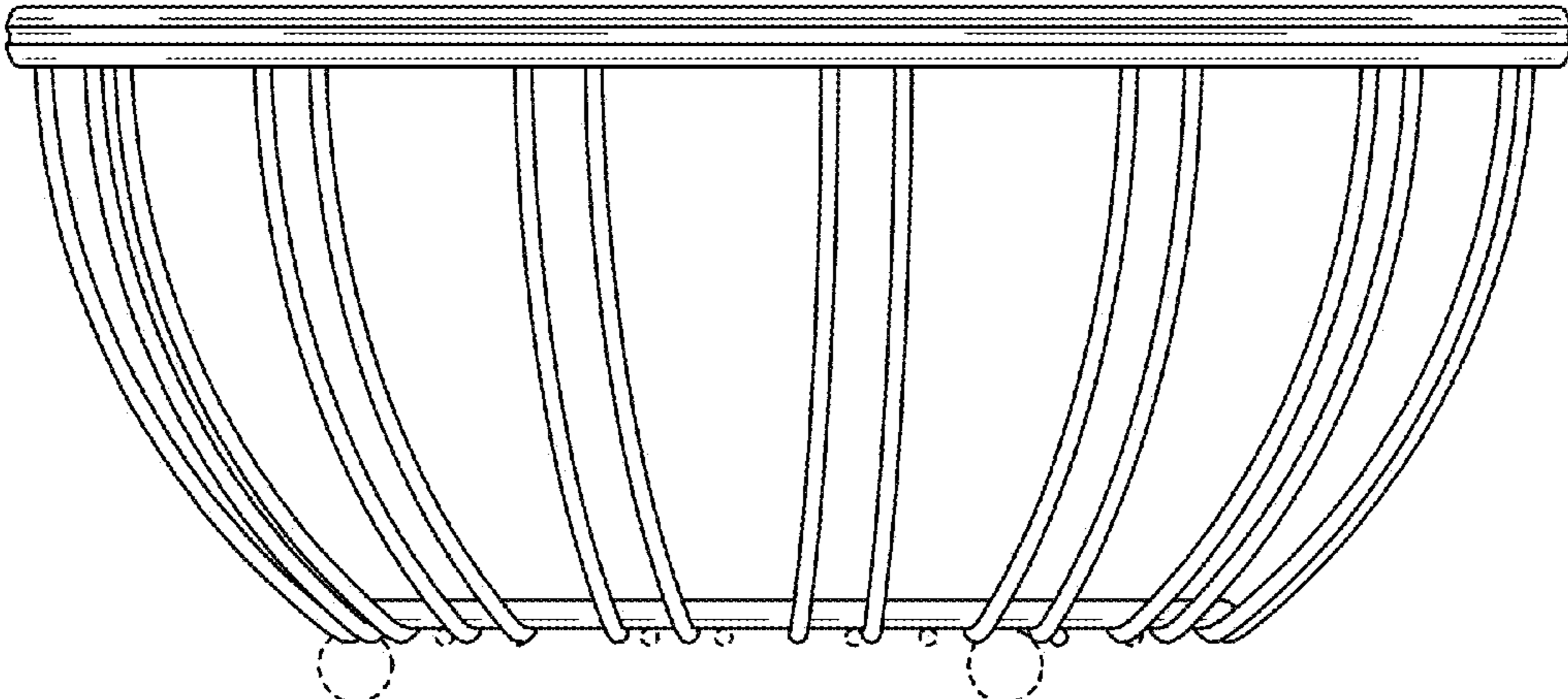


FIG. 3

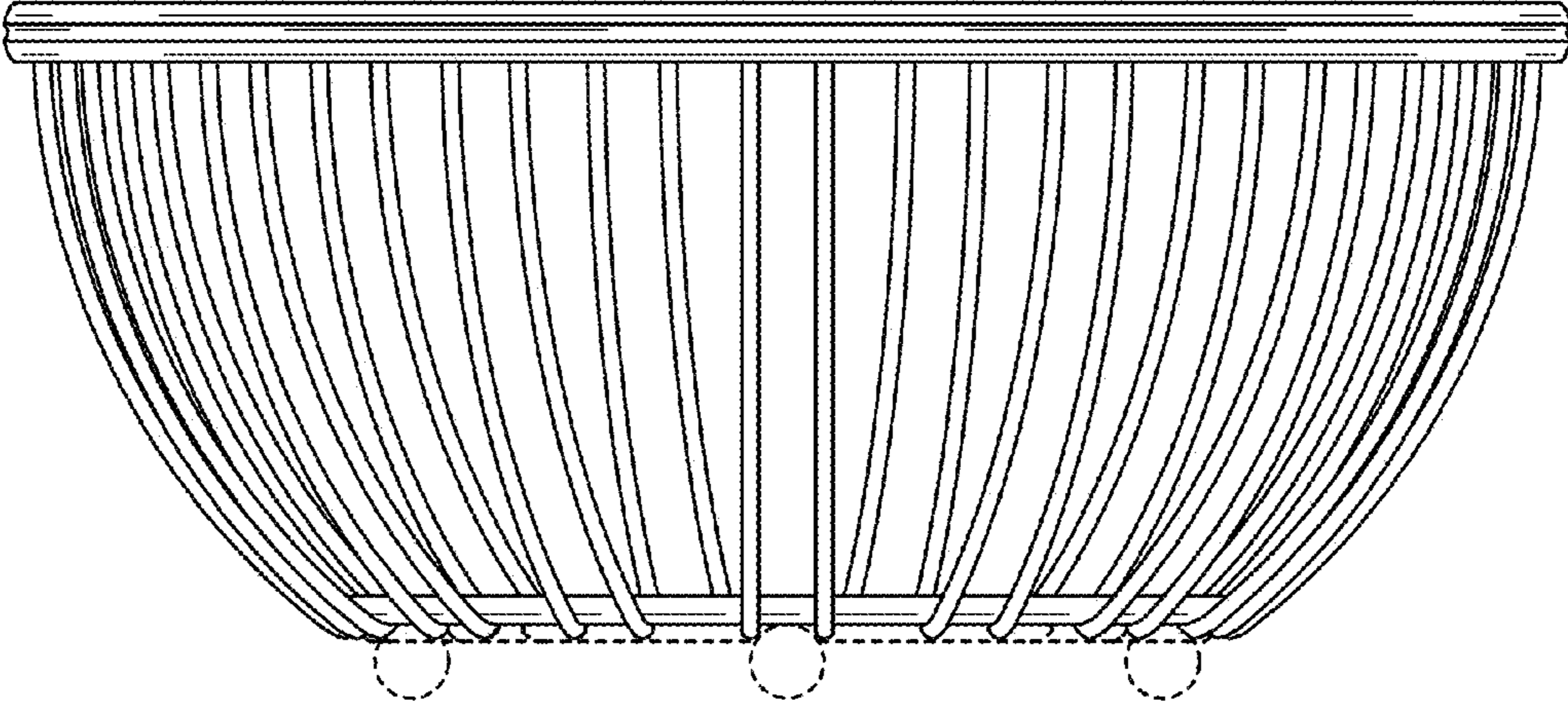


FIG. 4

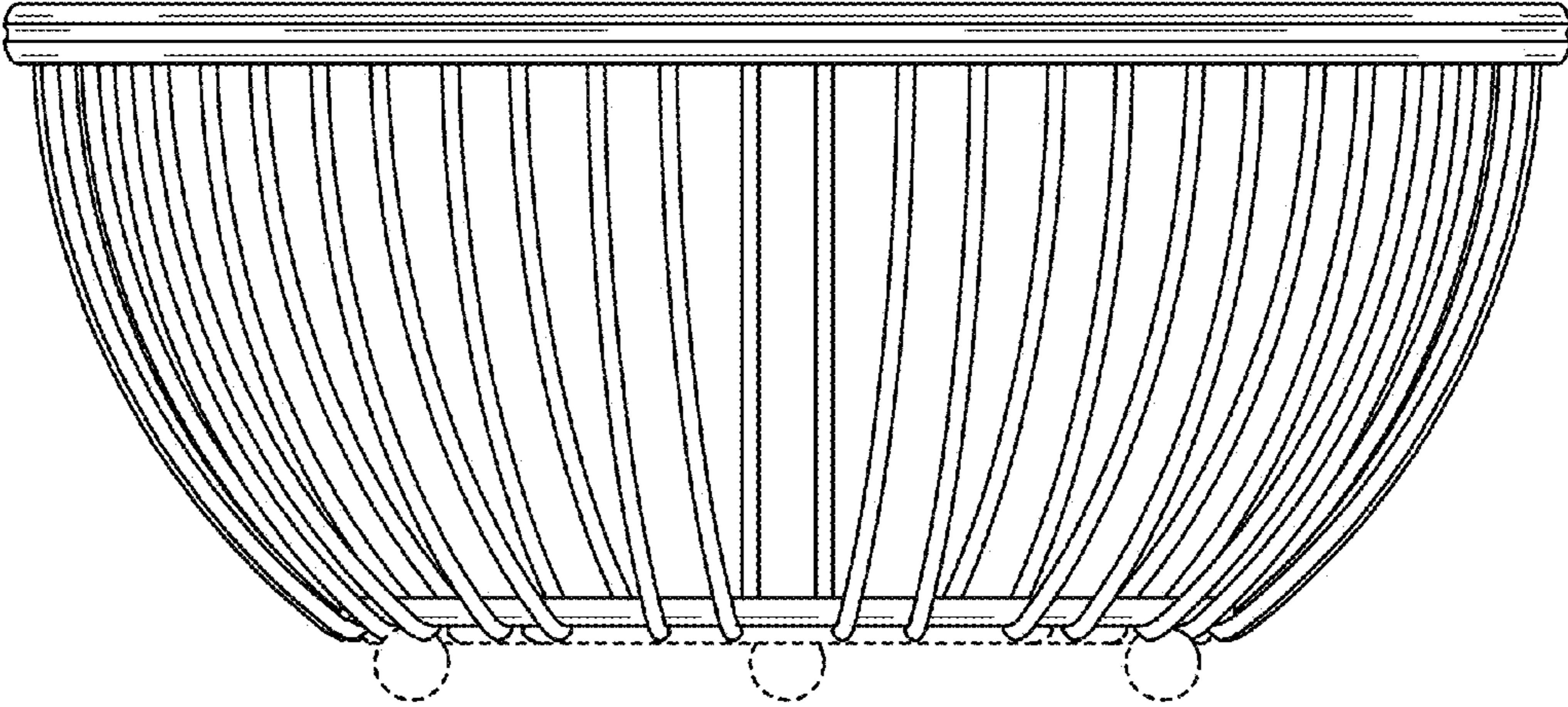


FIG. 5

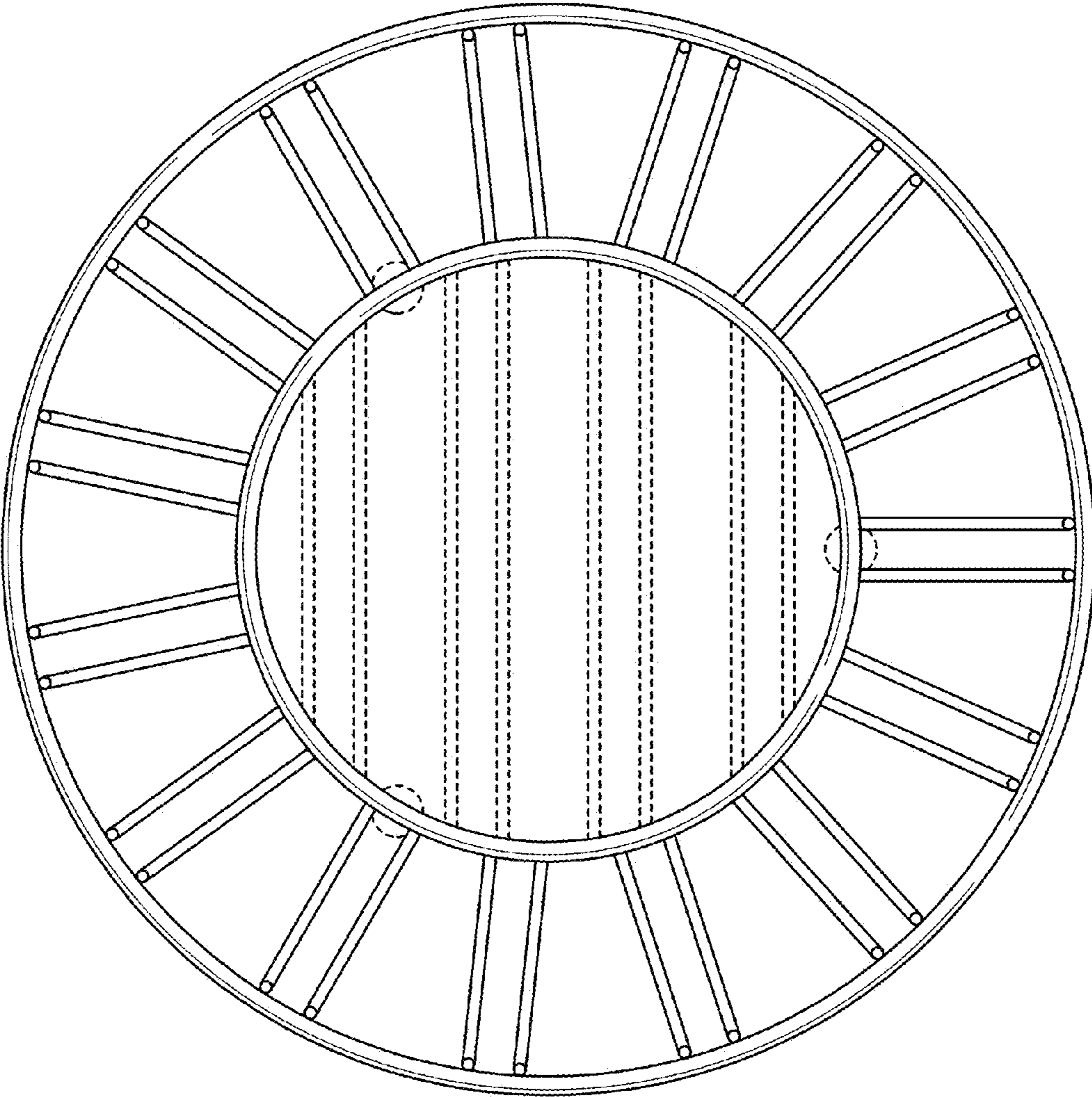


FIG. 6

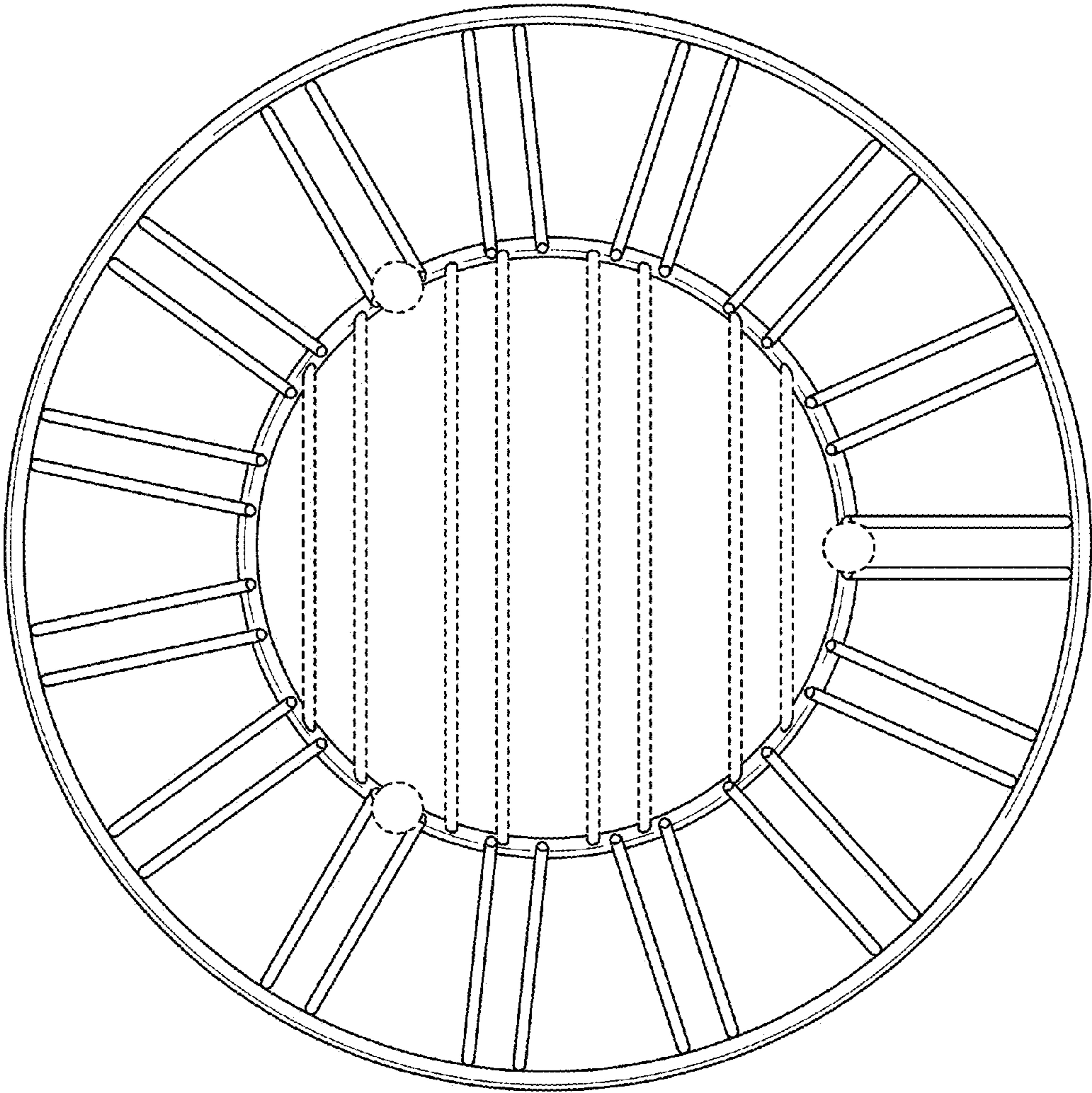


FIG. 7