



US00D748434S

(12) **United States Design Patent**
Thalmann et al.

(10) **Patent No.:** **US D748,434 S**
(45) **Date of Patent:** **** Feb. 2, 2016**

(54) **DRINKING CUP**

(71) Applicant: **KONINKLIJKE PHILIPS N.V.**,
Eindhoven (NL)

(72) Inventors: **Cecile Thalmann**, Muiden (NL); **Elodie
Jeanne Claudine Thomas**, Amsterdam
(NL)

(73) Assignee: **KONINKLIJKE PHILIPS N.V.**,
Eindhoven (NL)

(**) Term: **14 Years**

(21) Appl. No.: **29/504,619**

(22) Filed: **Oct. 8, 2014**

(30) **Foreign Application Priority Data**

Apr. 9, 2014 (EM) 002443408-0001

(51) **LOC (10) Cl.** **07-01**

(52) **U.S. Cl.**
USPC **D7/532; D7/511; D7/510**

(58) **Field of Classification Search**
USPC D7/507-515, 300.2, 396.1, 396.2, 523,
D7/532, 534, 300, 300.1, 591, 608;
D9/503, 504, 545, 549, 542, 436, 440,
D9/516, 452, 500, 569, 570, 562, 546,
D9/575; D24/197, 199; 215/228, 229, 325,
215/328; 220/592.2, 592.17, 12.1
CPC A61J 11/0005; A61J 9/00; B65D 47/061;
B65D 59/04; B65D 81/3865; B65D 47/063;
A47G 19/22; A47G 2019/2294; Y10S 220/903
See application file for complete search history.

(56) **References Cited**

U.S. PATENT DOCUMENTS

D65,527 S * 9/1924 Graham D7/532
D108,957 S * 3/1938 Kelly D7/532

D118,650 S * 1/1940 Sawyer D7/532
D243,816 S * 3/1977 Achenbach D7/532
D302,509 S * 8/1989 Byrns D7/608
D319,183 S * 8/1991 Halm D23/366
D347,763 S * 6/1994 Kleckauskas D7/510
D353,972 S * 1/1995 Robling D7/510
D353,975 S * 1/1995 Gooch D7/606
D368,311 S * 3/1996 Cockram D24/197
D376,731 S * 12/1996 Lin D7/529
D441,087 S * 4/2001 Johansen D24/197
D442,436 S * 5/2001 Kleckauskas D7/507
D446,685 S * 8/2001 Atkin D7/510
D457,395 S * 5/2002 Gluck D7/510
D459,155 S * 6/2002 Atkin D7/510
D468,968 S * 1/2003 Lipson D7/507
D475,890 S * 6/2003 Mazonkey D13/168
D486,695 S * 2/2004 Chuang D7/523
D500,226 S * 12/2004 Randolph D7/392.1
D501,361 S * 2/2005 Tollman D7/510
D511,459 S * 11/2005 Riot D9/502
D542,598 S * 5/2007 Karp D7/510
D551,027 S * 9/2007 Lowe D7/606

(Continued)

OTHER PUBLICATIONS

www.usa.philips.com—Sep. 14, 2015—Avent Spout Cup.*

Primary Examiner — Marianne Pandozzi

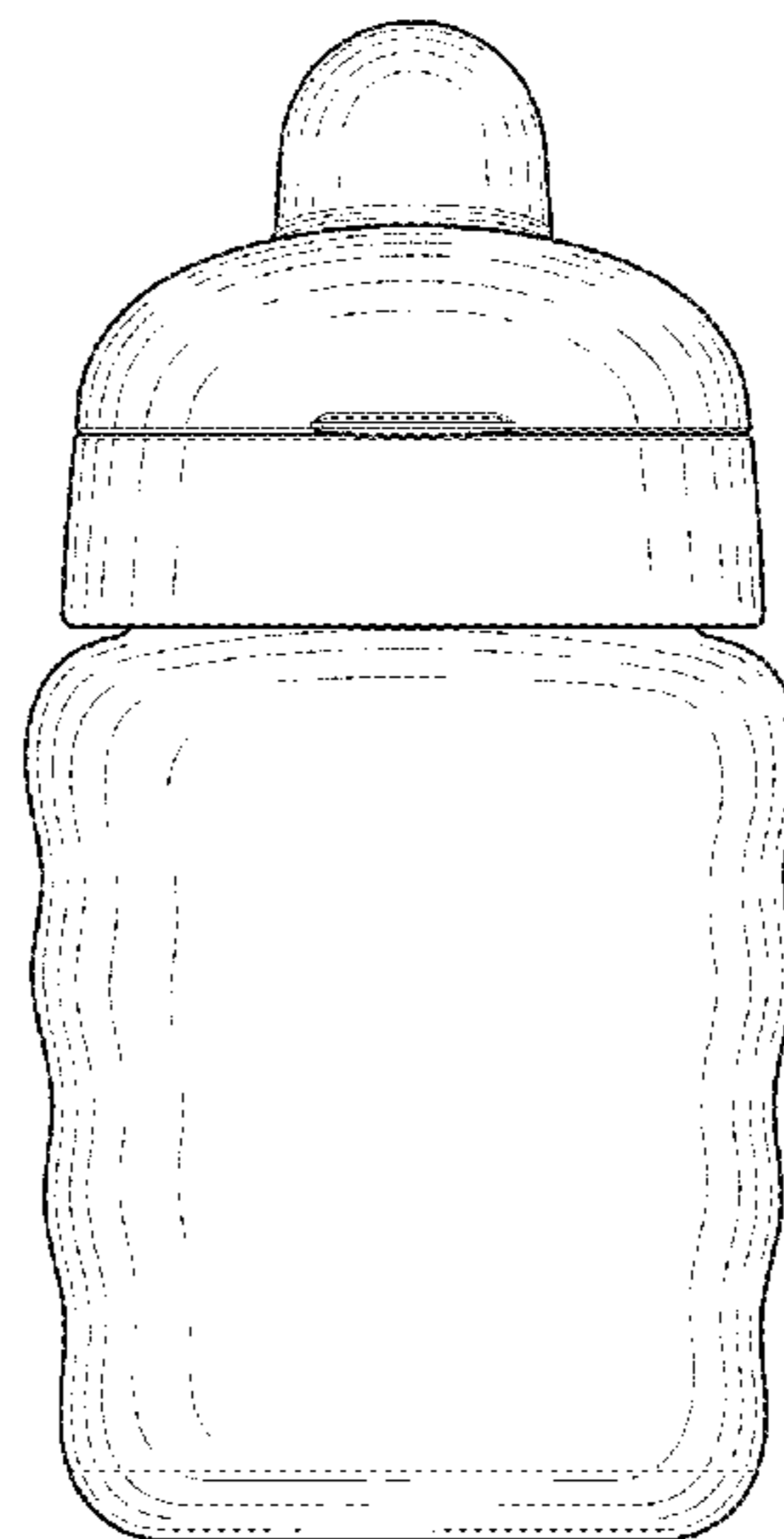
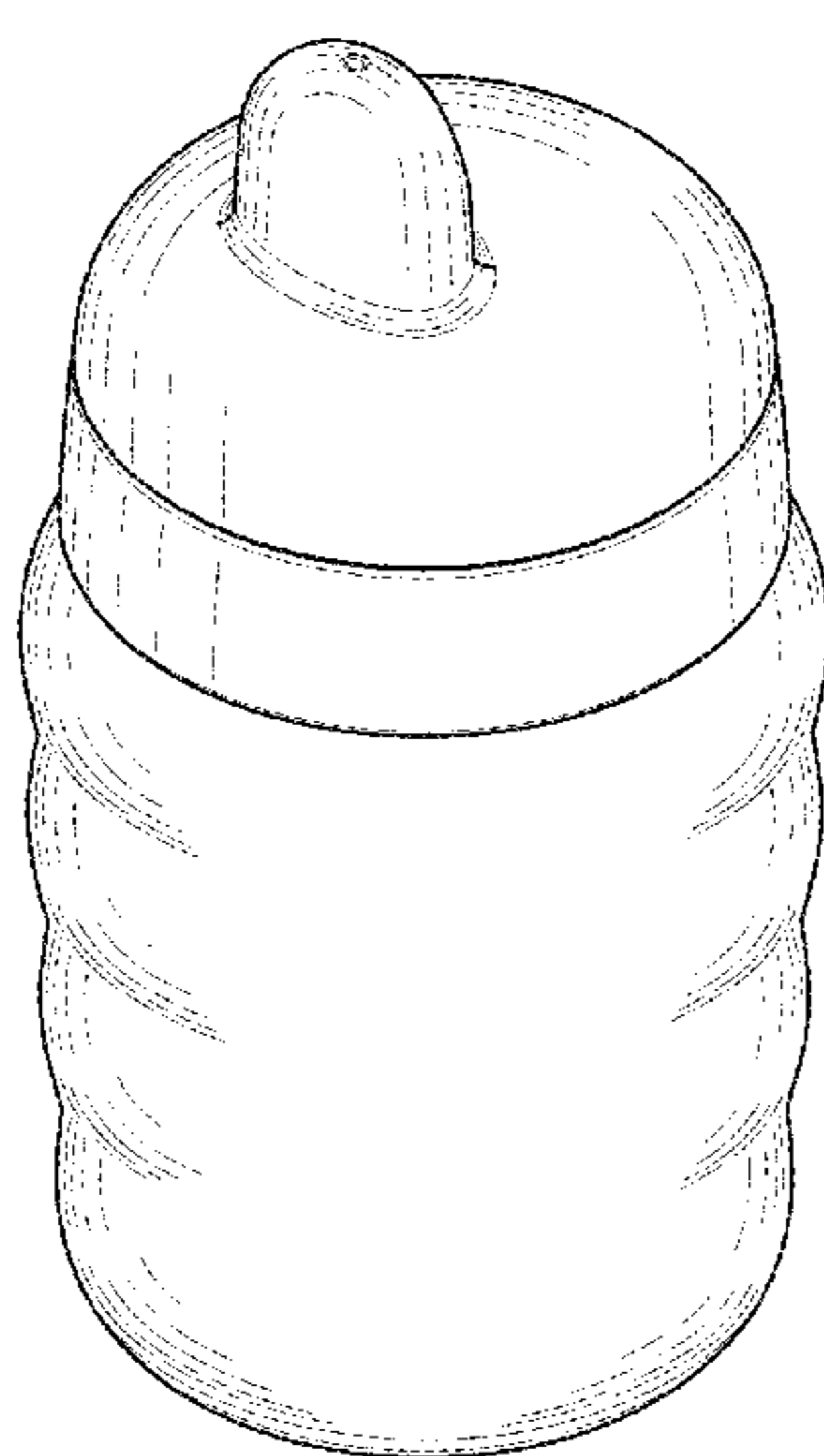
Assistant Examiner — Jae Liang

(57) **CLAIM**
The ornamental design for a drinking cup, as shown.

DESCRIPTION

FIG. 1 is a perspective view of a drinking cup showing our new design;
FIG. 2 is a front elevational view thereof;
FIG. 3 is a rear elevational view thereof;
FIG. 4 is a right side elevational view thereof;
FIG. 5 is a left side elevational view thereof;
FIG. 6 is a top plan view thereof; and,
FIG. 7 is a bottom plan view thereof.

1 Claim, 4 Drawing Sheets



(56)

References Cited

U.S. PATENT DOCUMENTS

D553,910 S *	10/2007	Bodum	D7/509	D675,480 S *	2/2013	Thomas	D7/507
D553,911 S *	10/2007	Bodum	D7/509	D679,131 S *	4/2013	Perez	D7/372
D565,902 S *	4/2008	Bodum	D7/500	D683,187 S *	5/2013	Gold	D7/510
D589,153 S *	3/2009	Rosales	D24/197	D683,188 S *	5/2013	Gold	D7/510
D614,446 S *	4/2010	King	D7/507	D683,189 S *	5/2013	Thomas	D7/510
D625,423 S *	10/2010	MacKay	D24/197	D686,740 S *	7/2013	Boonprasop	D24/197
D642,437 S *	8/2011	Schofield	D24/197	D713,262 S *	9/2014	Delgado Carmona	D9/630
D672,199 S *	12/2012	Kluger	D7/509	D716,150 S *	10/2014	Montet	D9/653
D674,243 S *	1/2013	Zimmer	D7/507	D737,101 S *	8/2015	Wampold	D7/516
				2004/0178161 A1 *	9/2004	Galustyan	A47J 47/02 215/11.1

* cited by examiner

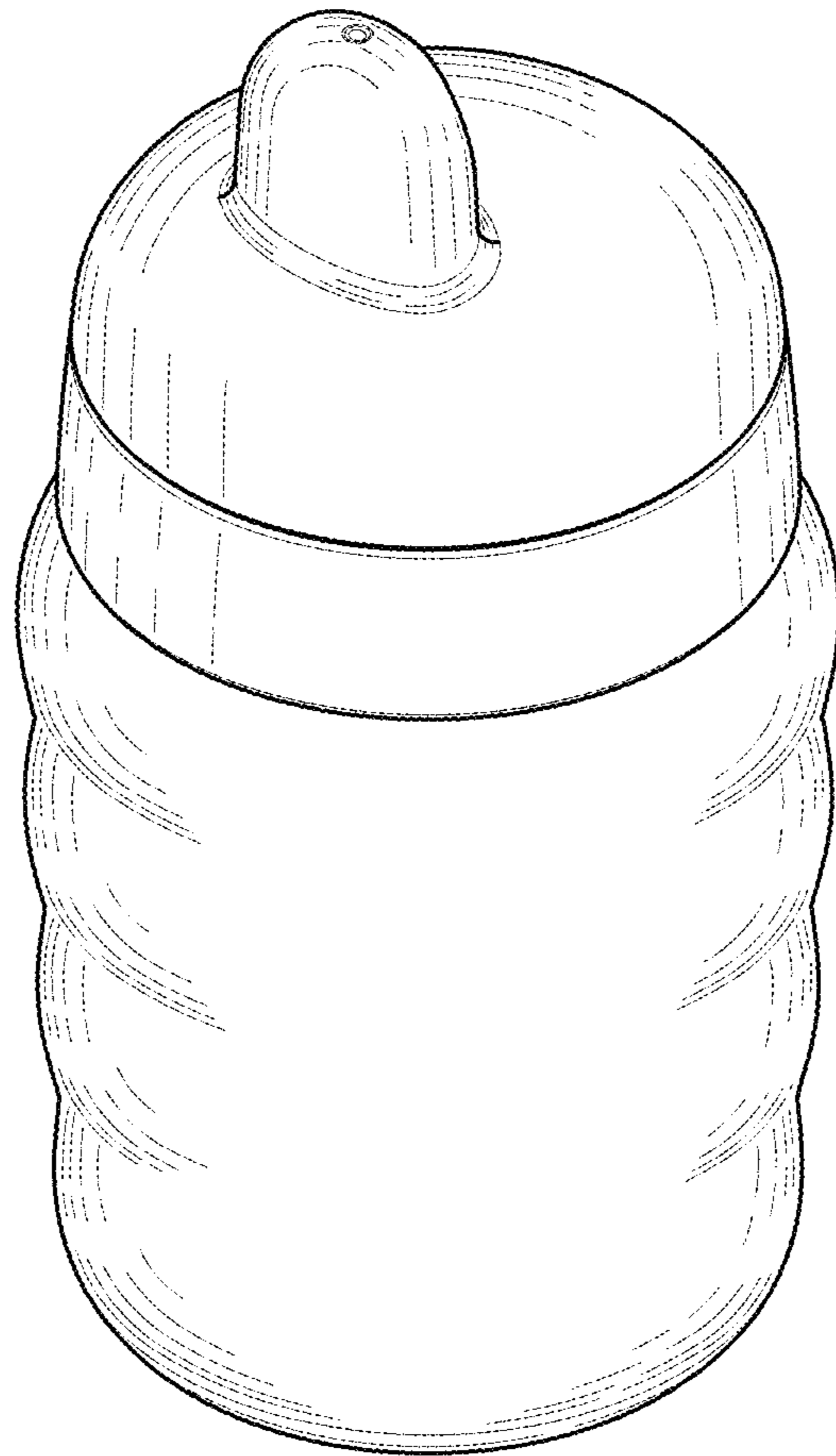


FIG. 1

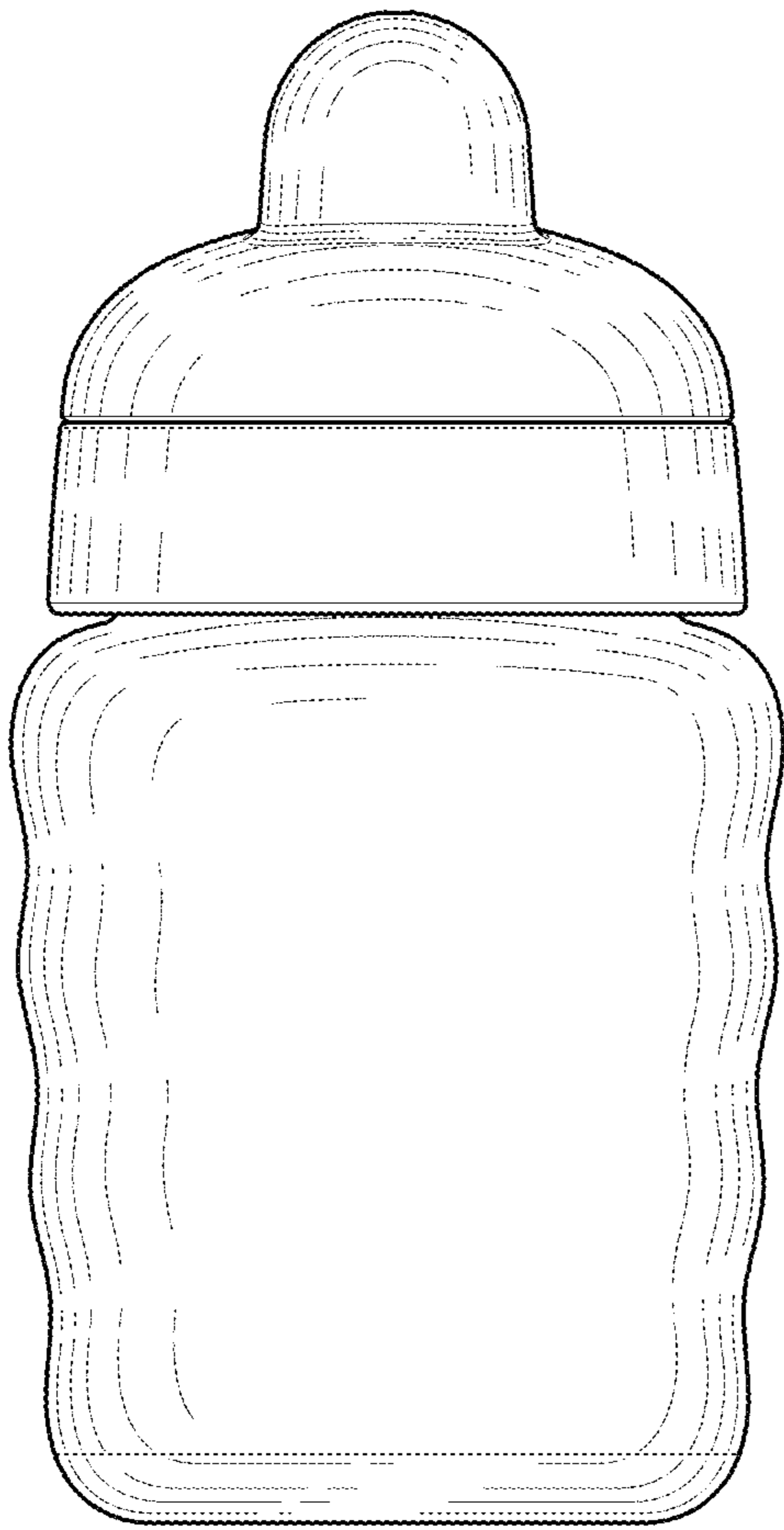


FIG. 2

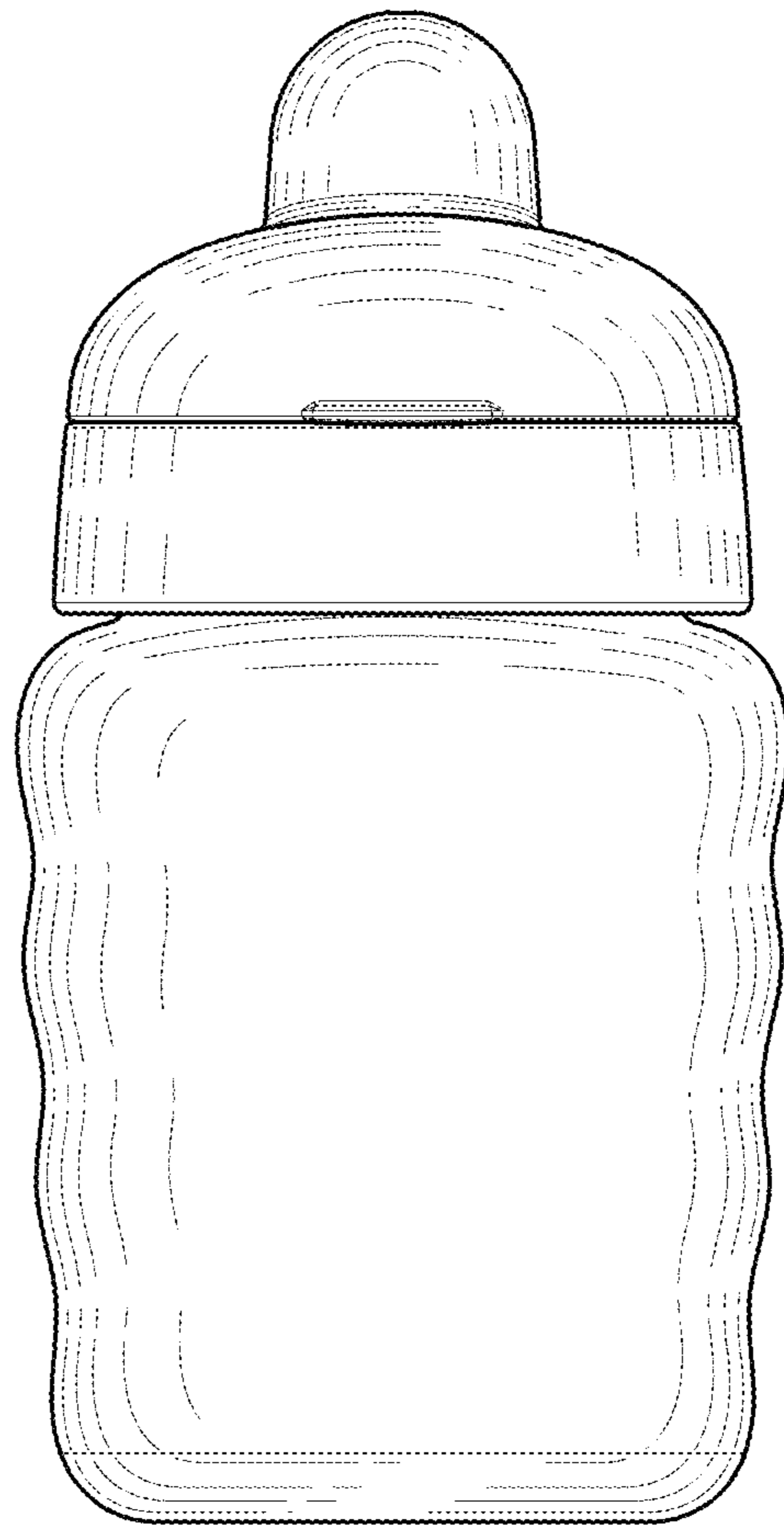


FIG. 3

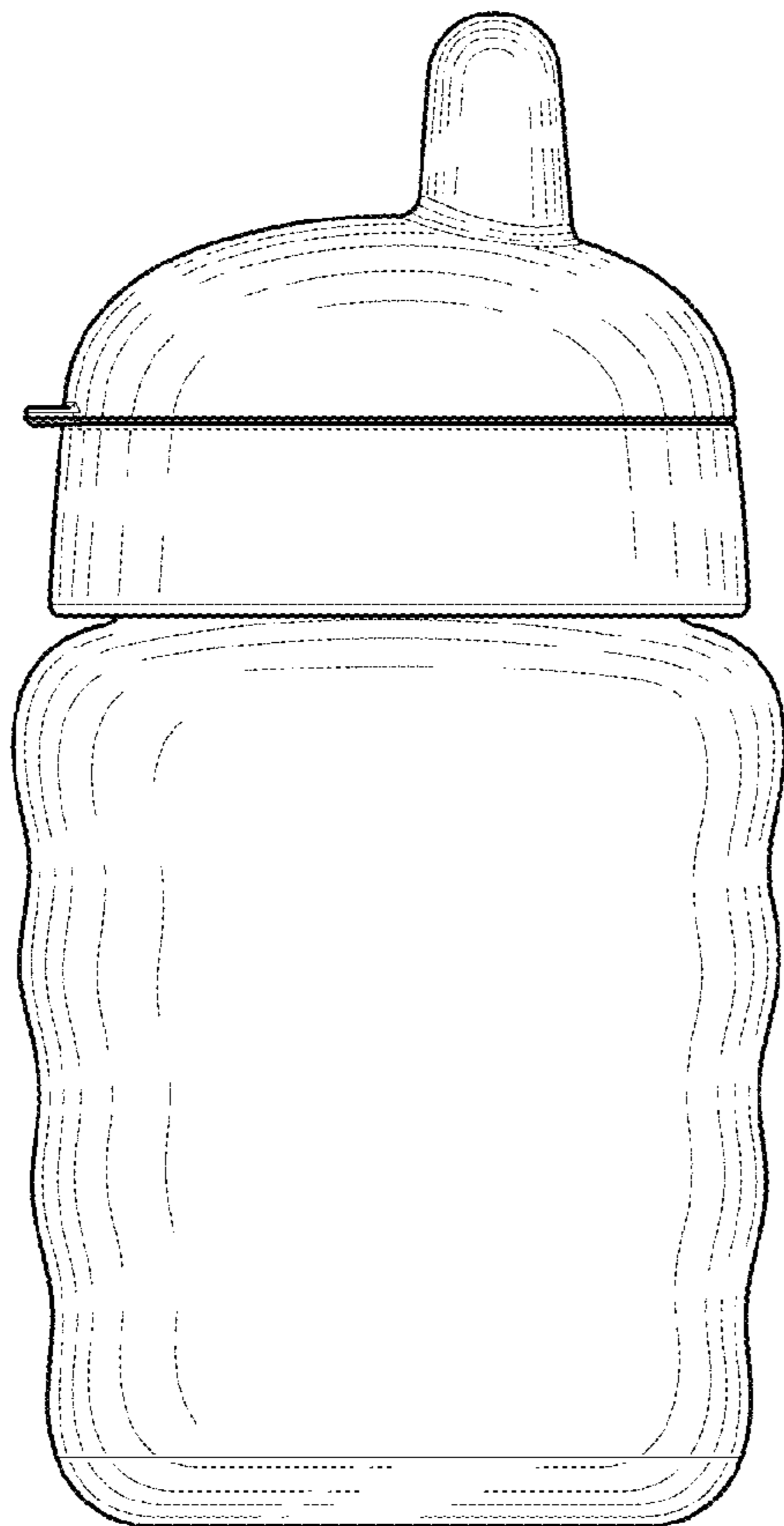


FIG. 4

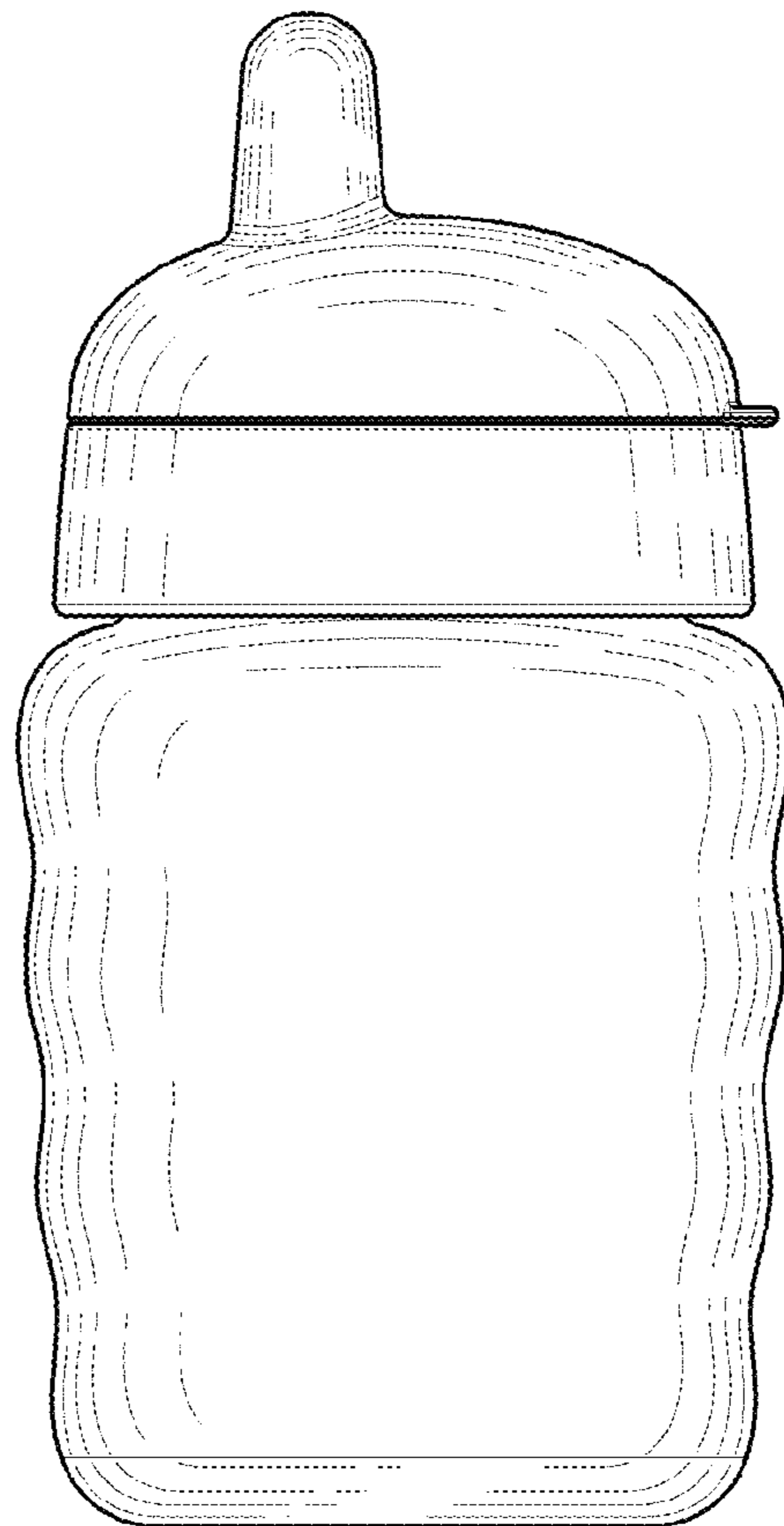


FIG. 5

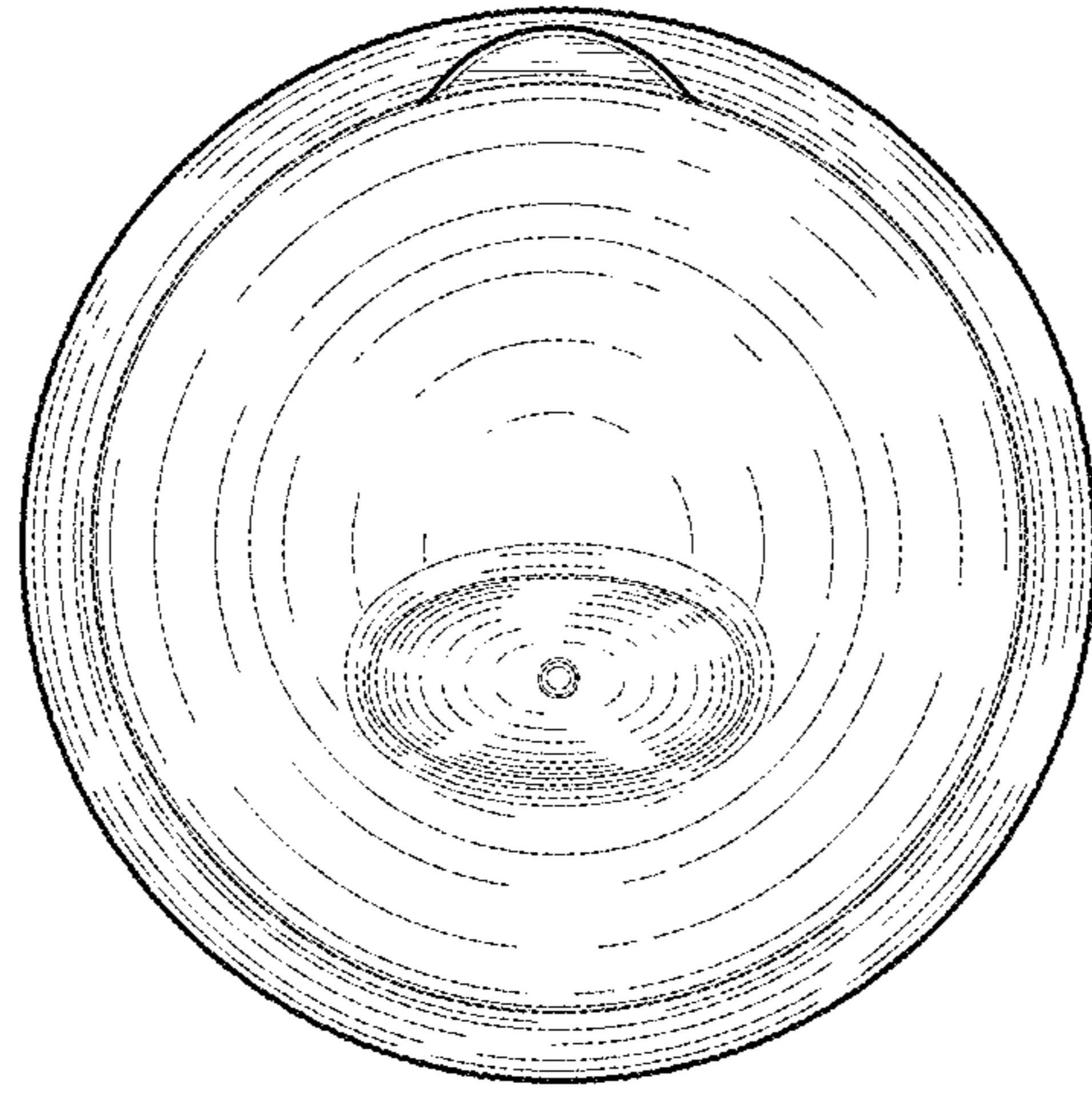


FIG. 6

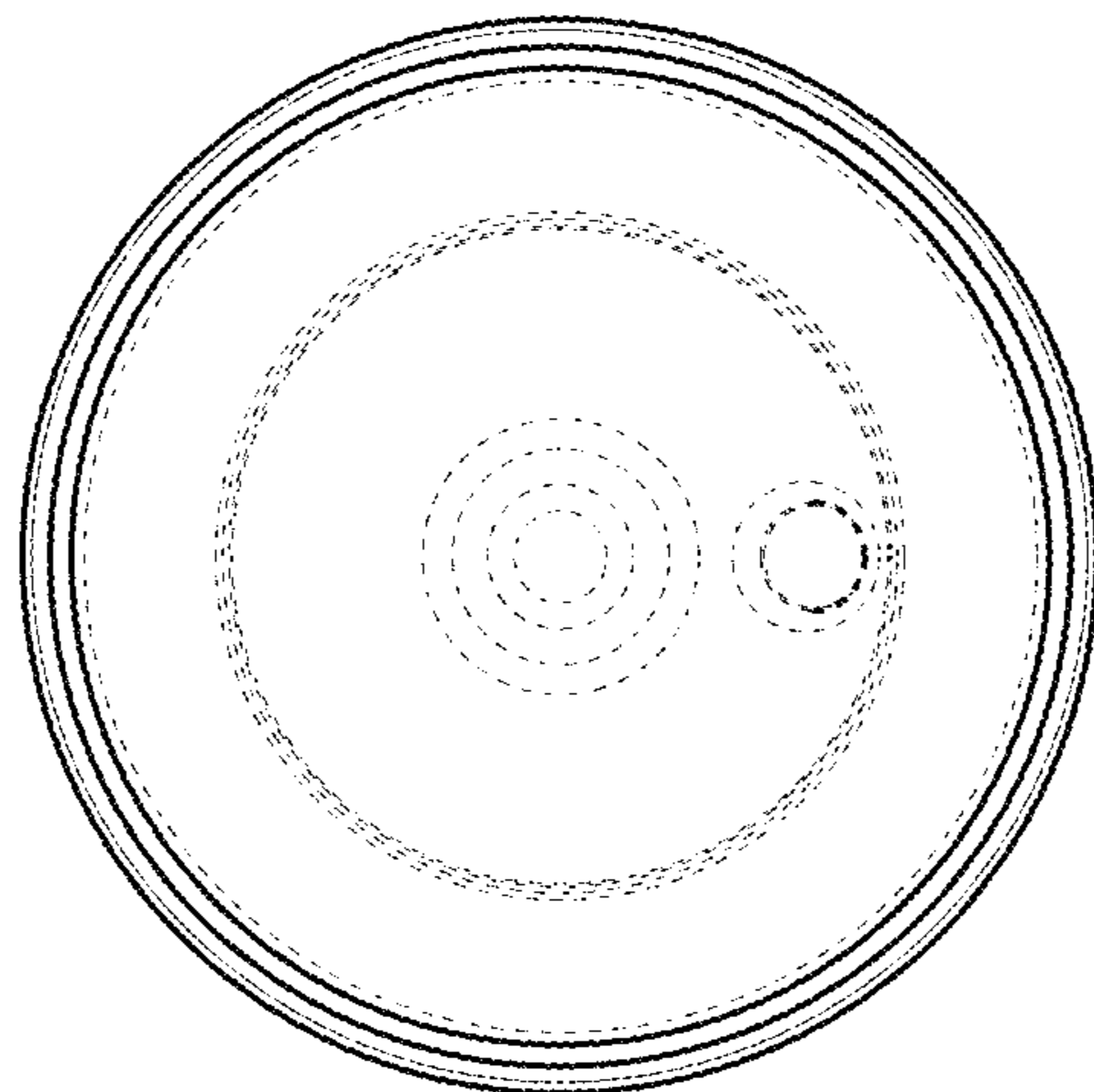


FIG. 7