



US00D748433S

(12) **United States Design Patent**  
**Kushner**

(10) **Patent No.:** **US D748,433 S**  
(45) **Date of Patent:** **\*\* Feb. 2, 2016**

- (54) **BEVERAGE HOLDER**
- (71) Applicant: **Robert Kushner**, Pok Fu Lam (HK)
- (72) Inventor: **Robert Kushner**, Pok Fu Lam (HK)
- (73) Assignee: **URBAN TREND LLC**, Newport Beach, CA (US)
- (\*\*) Term: **14 Years**
- (21) Appl. No.: **29/474,494**
- (22) Filed: **Oct. 7, 2014**
- (51) **LOC (10) Cl.** ..... **07-01**
- (52) **U.S. Cl.**  
USPC ..... **D7/515**; D7/619.2; D9/674; D9/680
- (58) **Field of Classification Search**  
USPC ..... D7/515–520, 510, 511, 509, 507, 599,  
D7/302, 301, 539, 521, 606; D9/625, 620,  
D9/616, 645, 644, 607, 674, 680, 619.2;  
220/703, 592.16, 592.17; D11/158;  
D21/452; D22/112, 115  
CPC ..... A47G 19/2205; A63H 33/22; A63H 3/00;  
G09F 3/00  
See application file for complete search history.

4,320,901 A *	3/1982	Morrison	.....	A63F 9/24
				273/153 R
4,408,537 A *	10/1983	Fortier	.....	F42B 8/22
				102/395
4,638,736 A *	1/1987	Farmer	.....	F42C 17/04
				102/393
D318,394 S *	7/1991	Larimer	.....	D7/300.1
D350,984 S *	9/1994	Huang	.....	D19/154
5,520,387 A *	5/1996	Snow	.....	A63F 3/00643
				273/153 R
D407,633 S *	4/1999	Jacobs	.....	D9/674
D414,369 S *	9/1999	Miller	.....	D7/300
D500,952 S *	1/2005	Moore	.....	D9/504
D543,593 S *	5/2007	Lapointe	.....	D21/452
D543,769 S *	6/2007	Ford	.....	D7/301
7,568,432 B1 *	8/2009	Baker	.....	C06B 33/06
				102/364
D615,818 S *	5/2010	Jansen	.....	D7/510
8,141,468 B2 *	3/2012	Van Liew	.....	B64D 1/04
				244/137.4
D664,042 S *	7/2012	Kurpis	.....	D22/116
D665,227 S *	8/2012	Cason	.....	D7/510
D686,921 S *	7/2013	Odobescu	.....	D9/680

\* cited by examiner

*Primary Examiner* — Marianne Pandozzi

(57) **CLAIM**  
The ornamental design for a beverage holder, as shown and described.

(56) **References Cited**

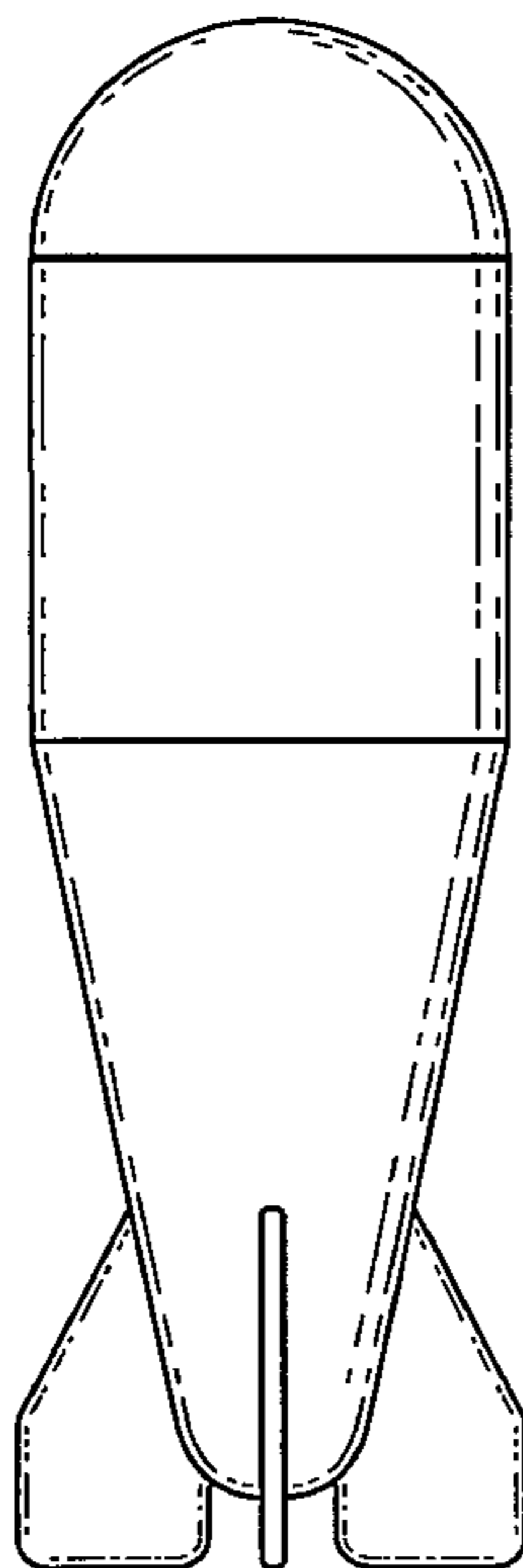
**U.S. PATENT DOCUMENTS**

2,853,010 A *	9/1958	Bianchi	.....	F42C 15/40
				102/216
D186,424 S *	10/1959	Oberlin	.....	D7/510
D188,566 S *	8/1960	Morian	.....	D28/87
D200,076 S *	1/1965	Hill	.....	D9/674
3,299,810 A *	1/1967	Robert	.....	B64D 1/02
				102/387
D223,562 S *	5/1972	Madeira	.....	D7/606

**DESCRIPTION**

FIG. 1 is a front view of a beverage holder showing my new design;  
FIG. 2 is a top view of FIG. 1;  
FIG. 3 is a bottom view of FIG. 1;  
FIG. 4 is a side and top perspective view of FIG. 1; and,  
FIG. 5 is an exploded side and top perspective view of FIG. 1.

**1 Claim, 3 Drawing Sheets**



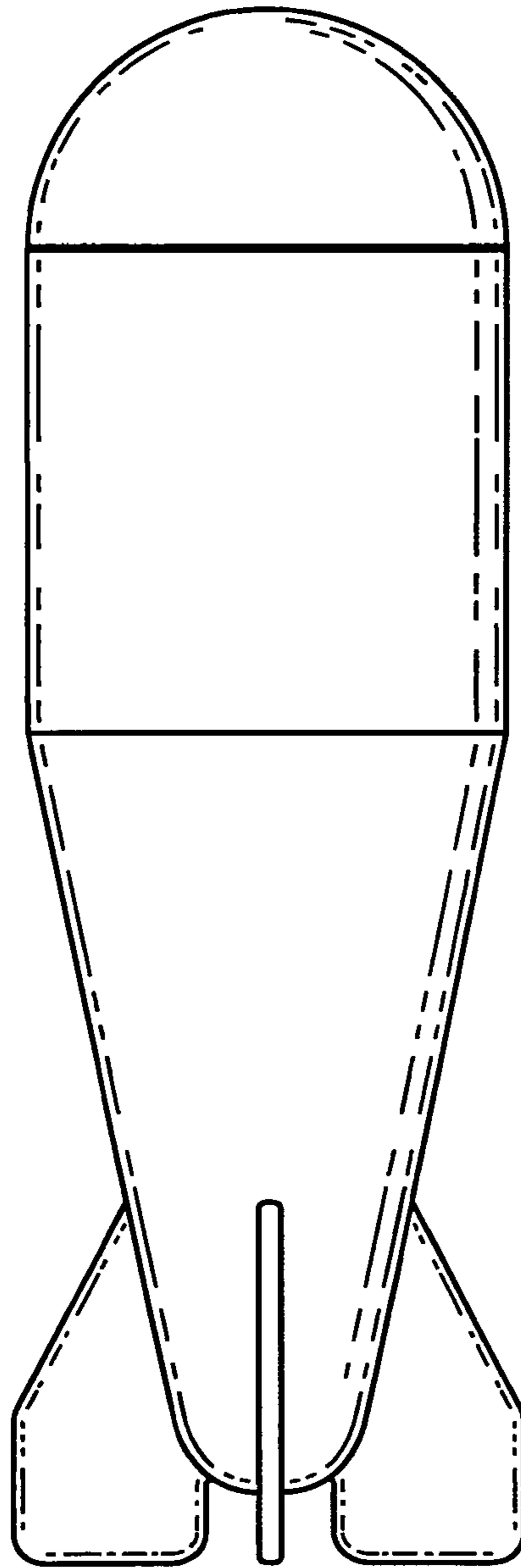


Fig. 1

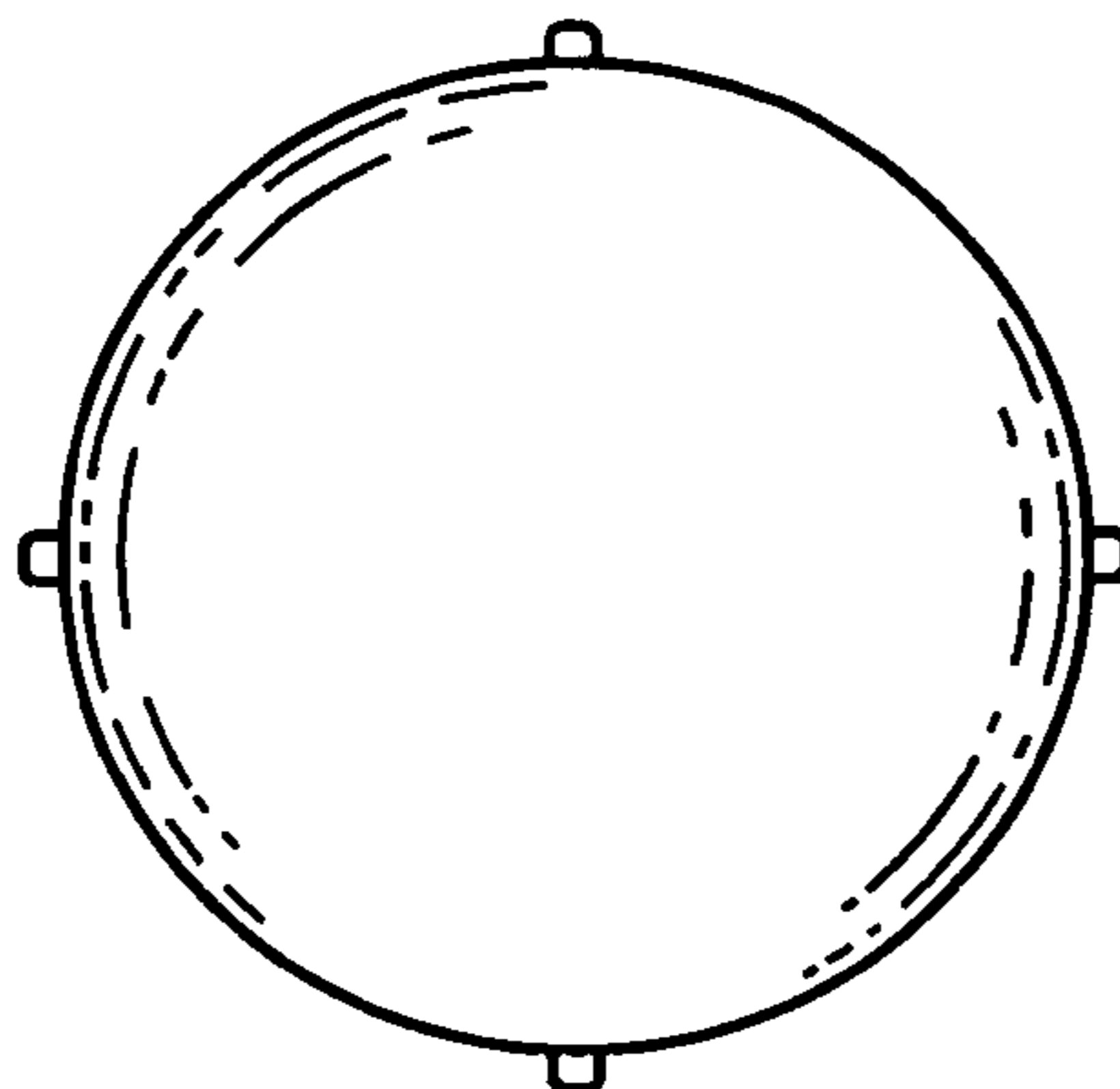


Fig. 2

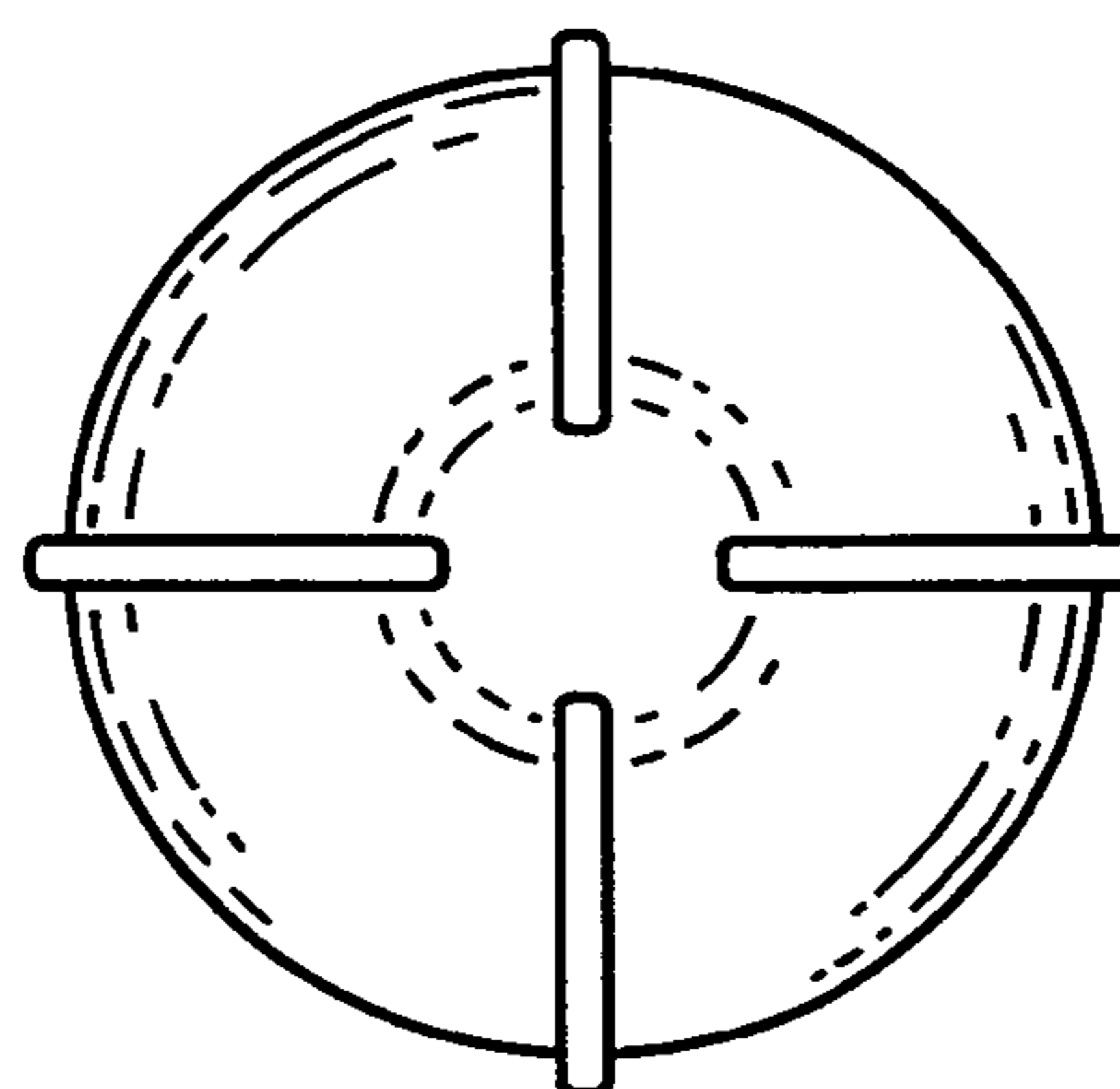


Fig. 3

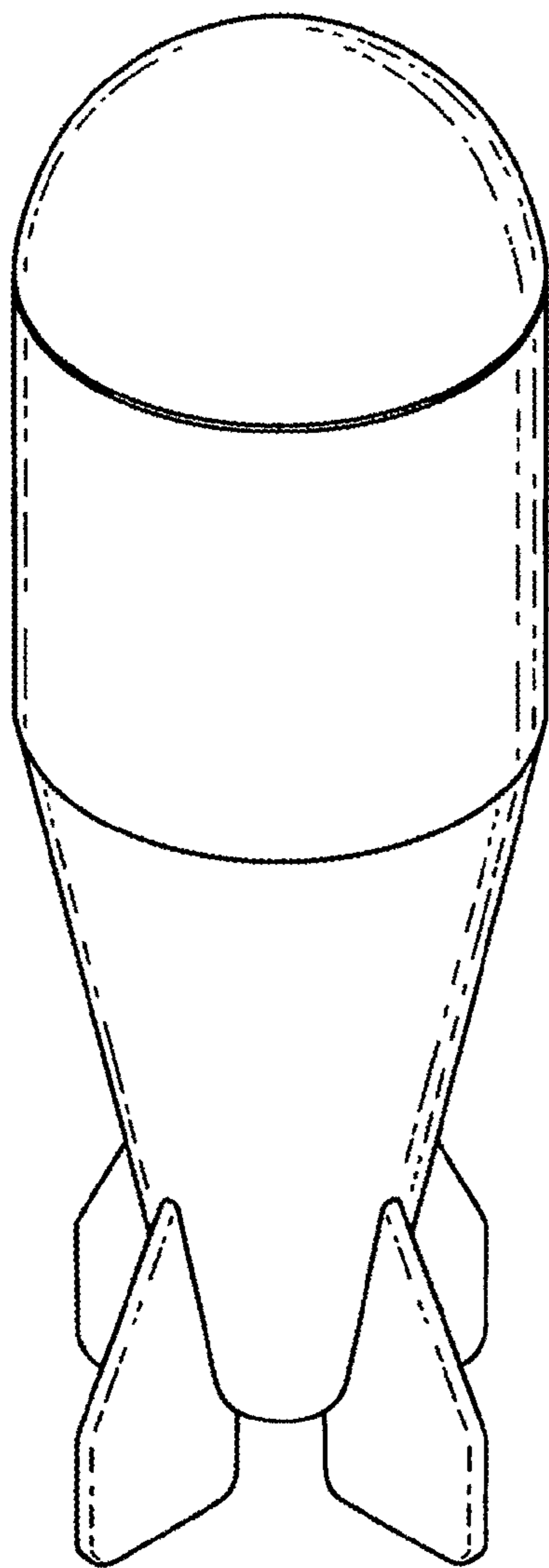


Fig. 4

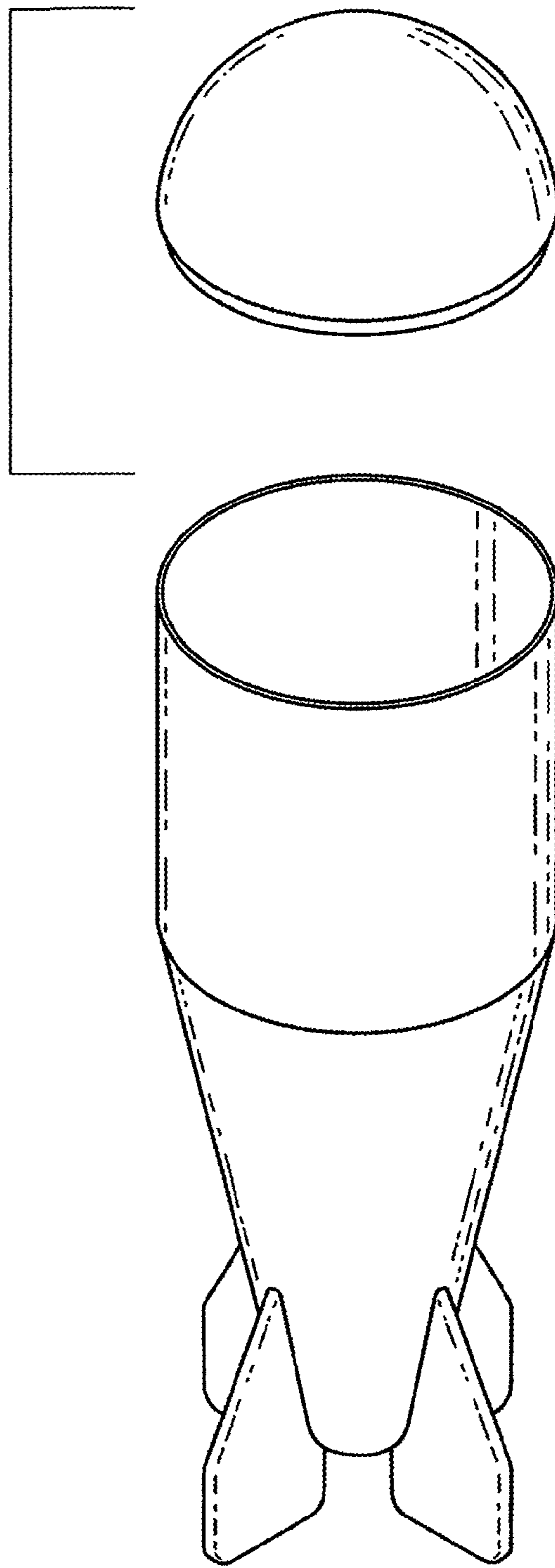


Fig. 5