



US00D748430S

(12) **United States Design Patent**
Sorensen et al.

(10) **Patent No.:** **US D748,430 S**
(45) **Date of Patent:** **** Feb. 2, 2016**

(54) **LID**

- (71) Applicant: **Runway Blue, LLC**, Pleasant Grove, UT (US)
- (72) Inventors: **Steven M. Sorensen**, Alpine, UT (US);
Kim L. Sorensen, Alpine, UT (US);
David O. Meyers, Kaysville, UT (US)
- (73) Assignee: **RUNWAY BLUE, LLC**, Lehi, UT (US)
- (**) Term: **14 Years**
- (21) Appl. No.: **29/479,736**
- (22) Filed: **Jan. 19, 2014**
- (51) **LOC (10) Cl.** **07-01**
- (52) **U.S. Cl.**
USPC **D7/392.1**; D9/449
- (58) **Field of Classification Search**
USPC D7/319, 323, 391, 392, 392.1, 393,
D7/396.2, 397, 398, 399, 443, 447, 449,
D7/509, 510, 511, 629; D9/435, 440, 442,
D9/443, 447, 450, 451, 452, 453, 503, 504,
D9/523, 527, 552, 561, 761; D23/207,
D23/209; 220/254.8, 700, 703, 711, 715;
222/465.1, 475.1; 215/11.1, 41, 386,
215/387, 388
CPC A47G 19/2272
See application file for complete search history.

(56) **References Cited**

U.S. PATENT DOCUMENTS

- 2,573,378 A 10/1951 Zurlinden
- 3,770,160 A 11/1973 Flider

(Continued)

OTHER PUBLICATIONS

U.S. Appl. No. 29/479,737, filed Jan. 19, 2014, Sorensen, et al.

(Continued)

Primary Examiner — Robert M Spear

Assistant Examiner — Kendra L Hamilton

(74) *Attorney, Agent, or Firm* — Maschoff Brennan

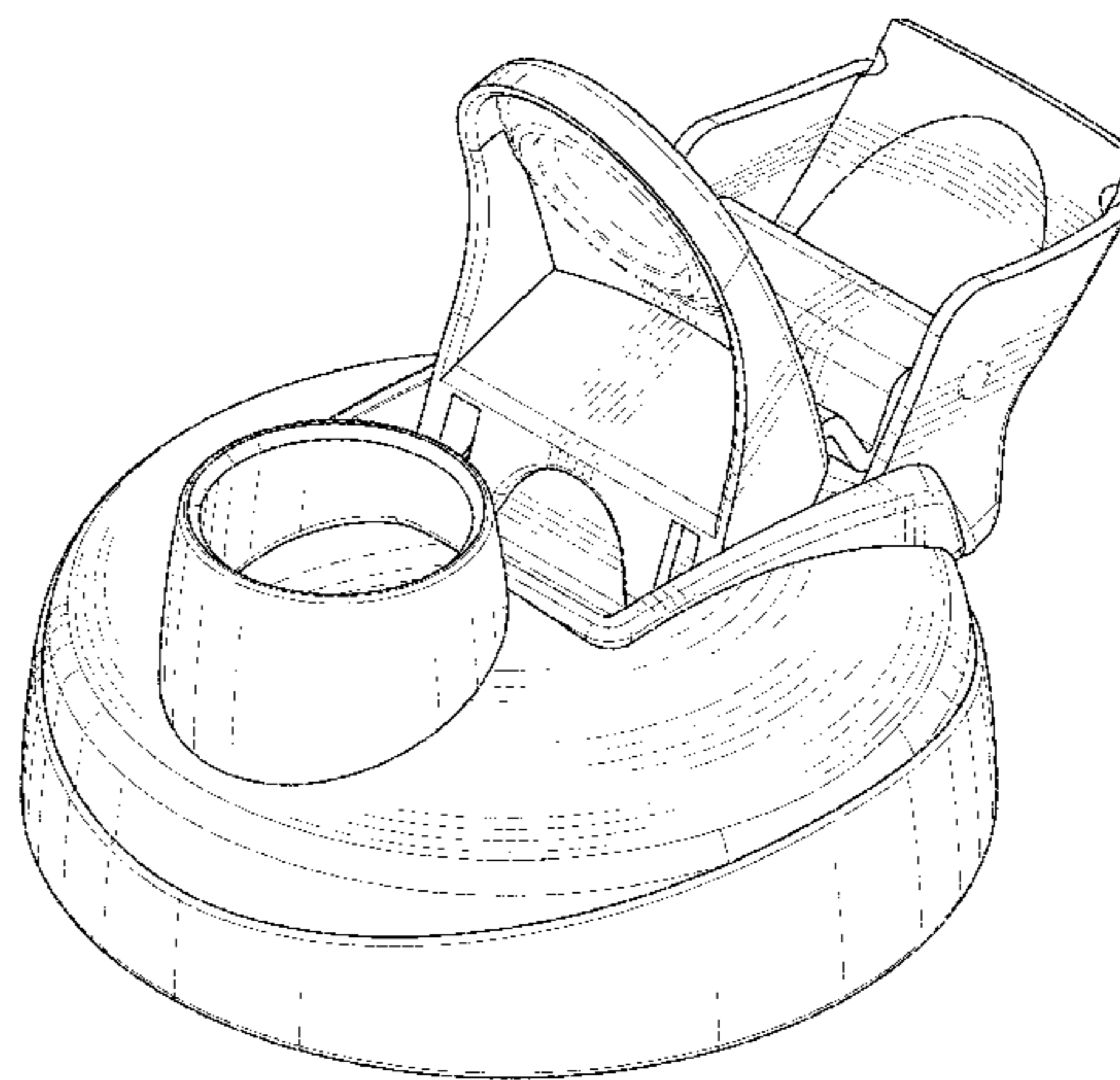
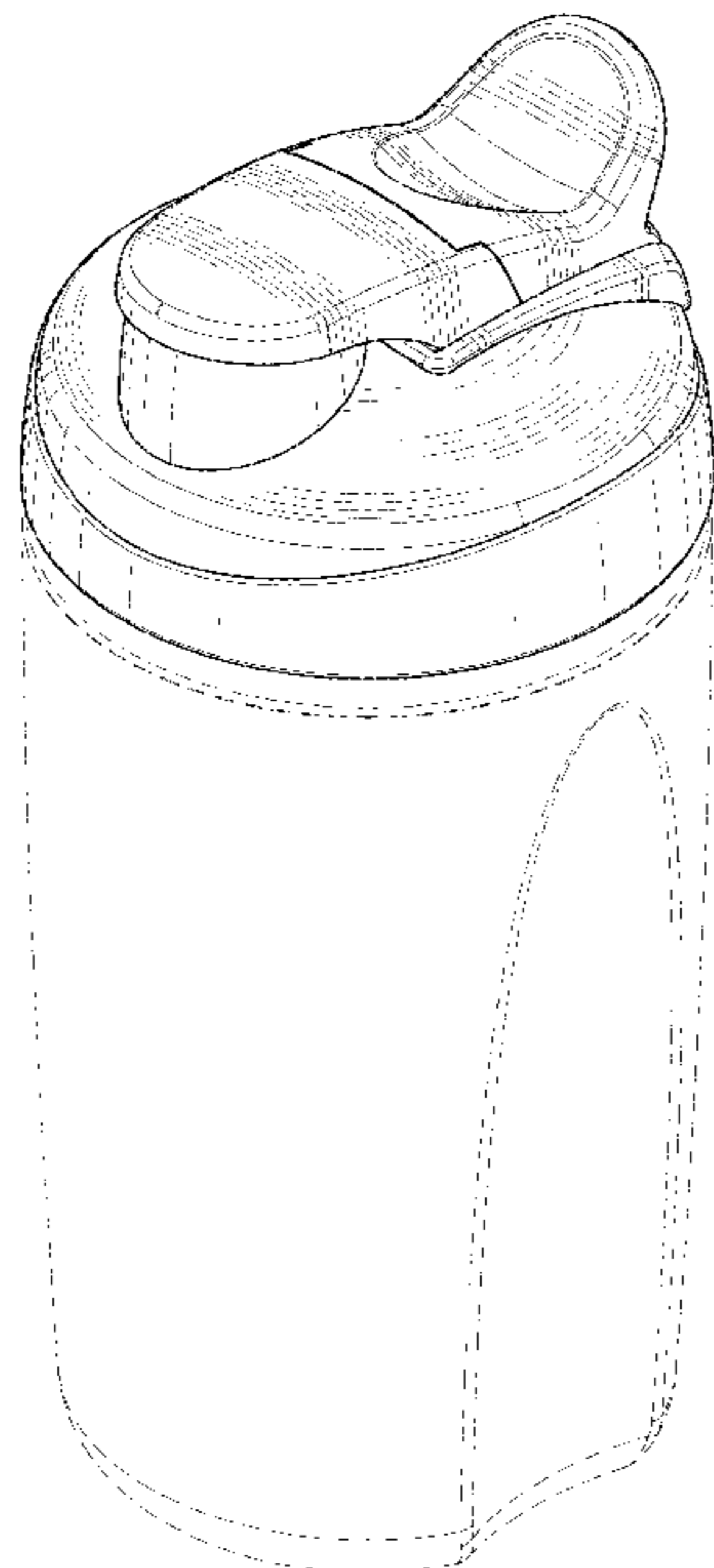
(57) **CLAIM**

The ornamental design for a lid, as shown and described.

DESCRIPTION

FIG. 1 is a upper perspective view of a lid, illustrating the lid in a closed position and attached to an exemplary bottle; FIG. 2 is an enlarged upper perspective view of the lid shown in FIG. 1; FIG. 3 is a front view of the lid shown in FIG. 1; FIG. 4 is a rear view of the lid shown in FIG. 1; FIG. 5 is a right side view of the lid shown in FIG. 1; FIG. 6 is a left side view of the lid shown in FIG. 1; FIG. 7 is a top view of the lid shown in FIG. 1; FIG. 8 is a bottom view of the lid shown in FIG. 1; FIG. 9 is another upper perspective view of the lid, illustrating the lid in an open position; FIG. 10 is a front view of the lid shown in FIG. 9; FIG. 11 is a rear view of the lid shown in FIG. 9; FIG. 12 is a right side view of the lid shown in FIG. 9; FIG. 13 is a left side view of the lid shown in FIG. 9; FIG. 14 is a top view of the lid shown in FIG. 9; and, FIG. 15 is a bottom view of the lid shown in FIG. 9. The portion of the figures shown in broken lines depict environmental structure that forms no part of the claimed design.

1 Claim, 13 Drawing Sheets



(56)

References Cited

U.S. PATENT DOCUMENTS

4,948,009 A 8/1990 Sawatani
 5,318,203 A 6/1994 Iaia et al.
 D490,653 S * 6/2004 Kleckauskas et al. D7/510
 7,124,917 B2 10/2006 Lee
 D538,597 S * 3/2007 Kim D7/510
 D623,017 S * 9/2010 George D7/510
 D626,837 S 11/2010 Meyers et al.
 D626,838 S 11/2010 Meyers et al.
 D643,245 S * 8/2011 Minarsch D7/392.1
 8,146,770 B2 4/2012 Newman
 D677,121 S * 3/2013 Meyers et al. D7/510
 D682,016 S * 5/2013 Knight D7/392.1
 D682,612 S * 5/2013 Rzepecki D7/392.1
 D688,520 S * 8/2013 Lin D7/507
 D691,849 S * 10/2013 Cetera et al. D7/392.1
 D696,551 S 12/2013 Meyers et al.
 D721,540 S * 1/2015 Grcic D7/511
 D725,436 S * 3/2015 Miller D7/396.2
 2002/0179604 A1 12/2002 Germain et al.
 2003/0052126 A1 3/2003 Zettle et al.
 2008/0099514 A1 5/2008 Carter
 2011/0017760 A1 1/2011 Newman

2012/0055818 A1 3/2012 Zimmern
 2013/0062304 A1 3/2013 Meyers et al.
 2014/0048549 A1* 2/2014 Wille 220/713

OTHER PUBLICATIONS

U.S. Appl. No. 61/929,081, filed Jan. 19, 2014, Sorensen, et al.
 U.S. Appl. No. 29/497,737, filed Jan. 19, 2014, Sorensen, et al.
 U.S. Appl. No. 61/944,536, filed Feb. 25, 2014, Sorensen, et al.
 U.S. Appl. No. 62/004,673, filed May 29, 2014, Sorensen, et al.
 U.S. Appl. No. 29/514,766, filed Jan. 15, 2015, Sorensen, et al.
 U.S. Appl. No. 14/598,075, filed Jan. 15, 2015, Sorensen, et al.
 U.S. Appl. No. 14/598,087, filed Jan. 15, 2013, Sorensen, et al.
 U.S. Appl. No. 14/598,090, filed Jan. 15, 2015, Sorensen, et al.
 U.S. Appl. No. 29/457,096, filed Jun. 6, 2013, Sorensen, et al.
 U.S. Appl. No. 29/479,736, filed Jan. 19, 2014, Sorensen, et al.
 International Search Report and Written Opinion from PCT Application No. PCT/US2015/011775 dated May 4, 2015.
 International Search Report and Written Opinion from PCT Application No. PCT/US2015/011777 dated May 8, 2015.
 International Search Report and Written Opinion from PCT Application No. PCT/US2015/011780 dated May 11, 2015.

* cited by examiner

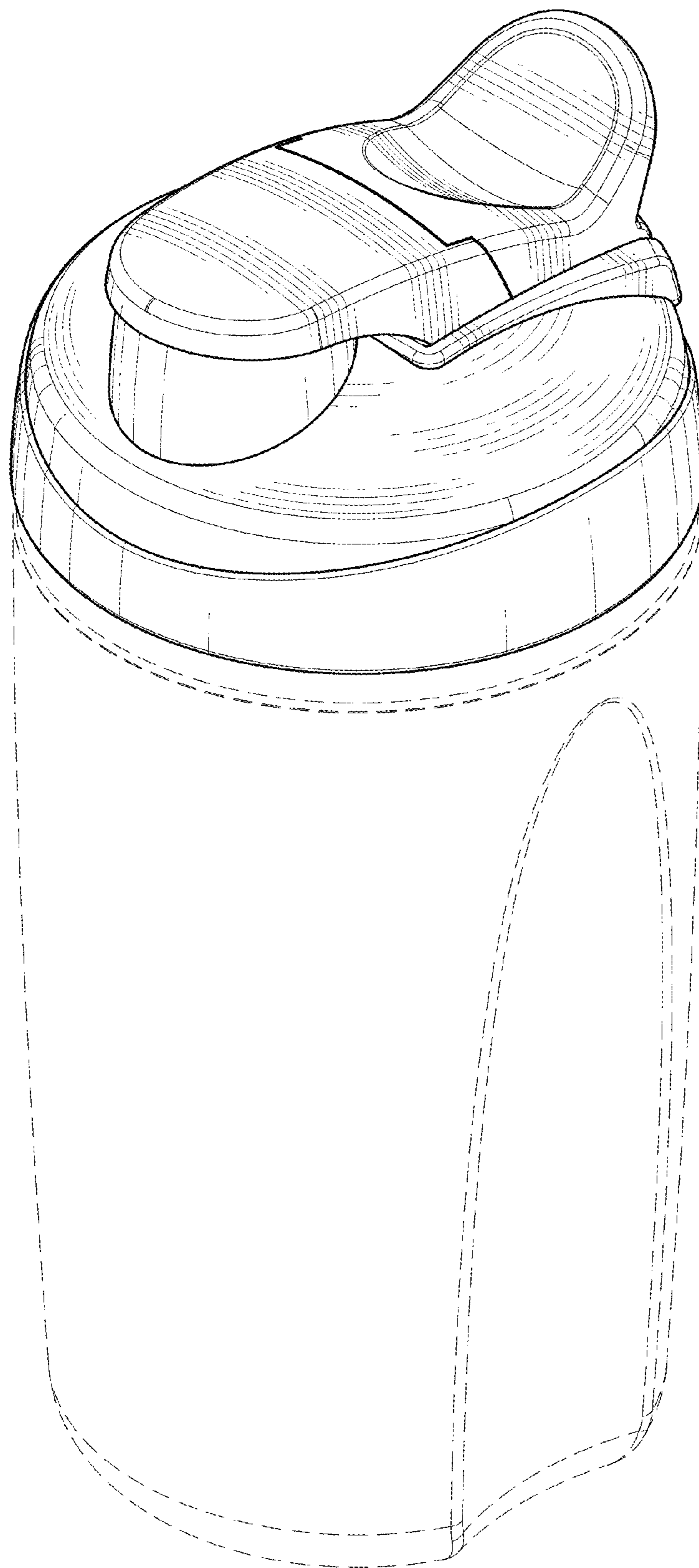


Fig. 1

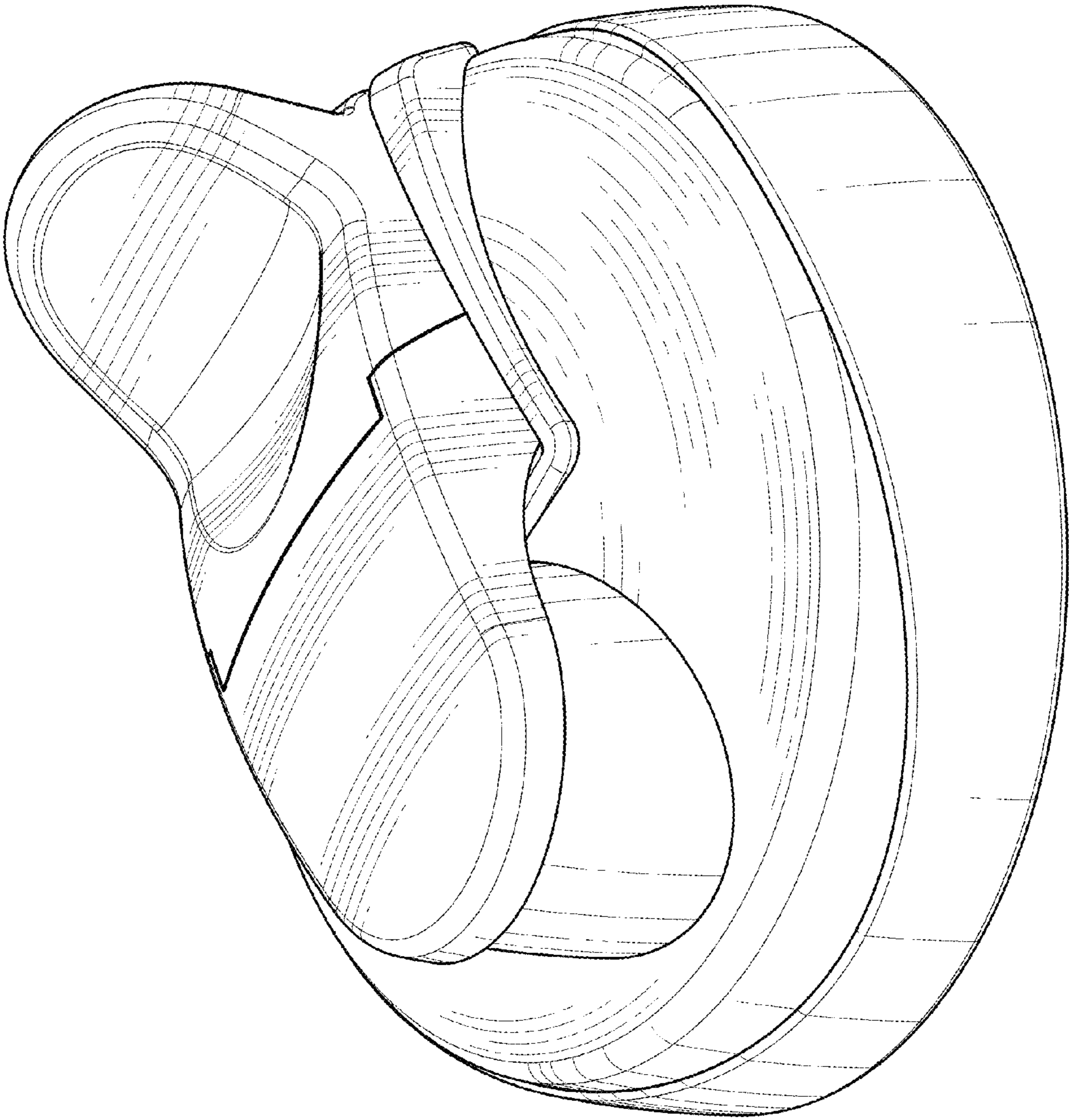


Fig. 2

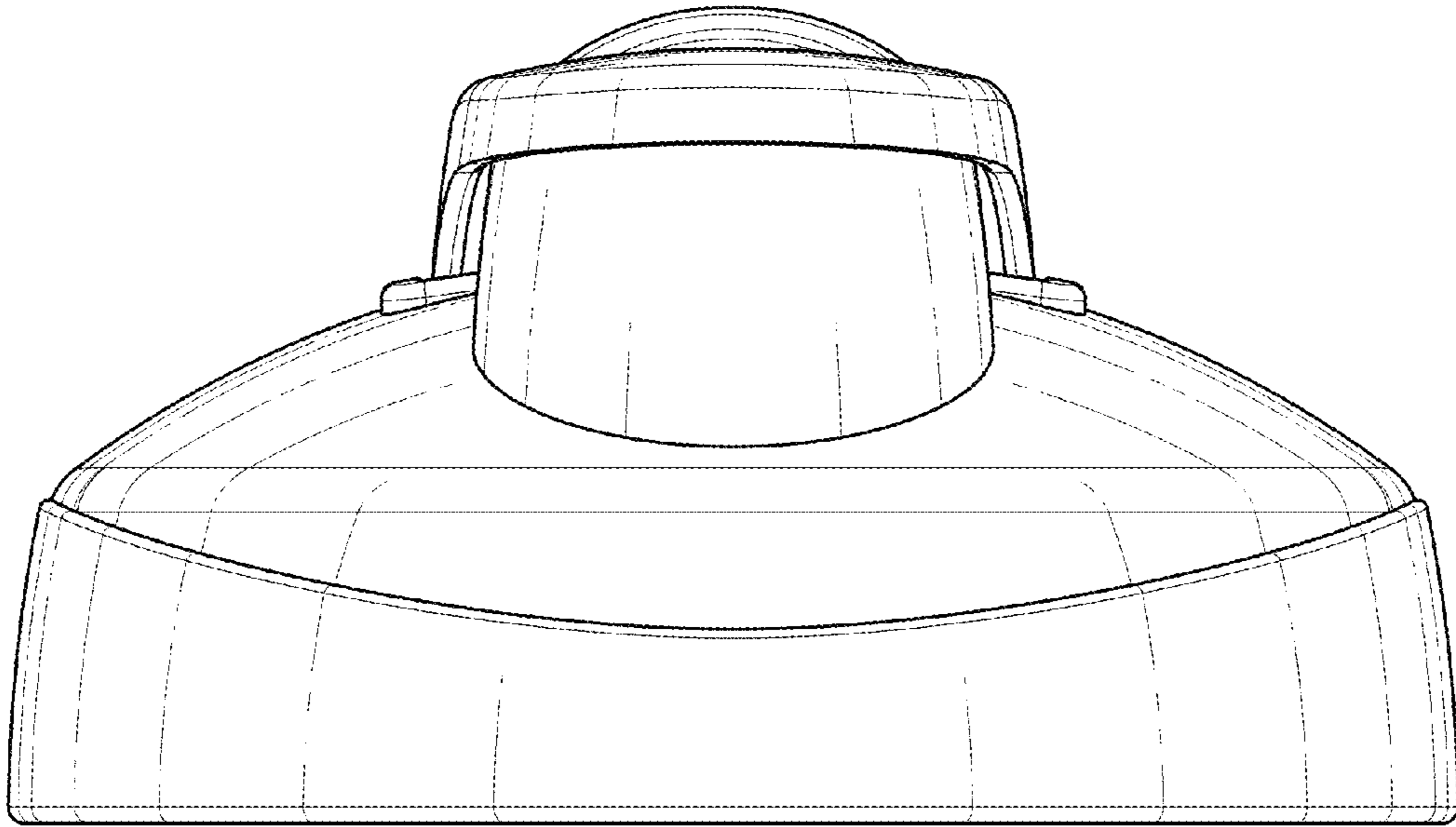


Fig. 3

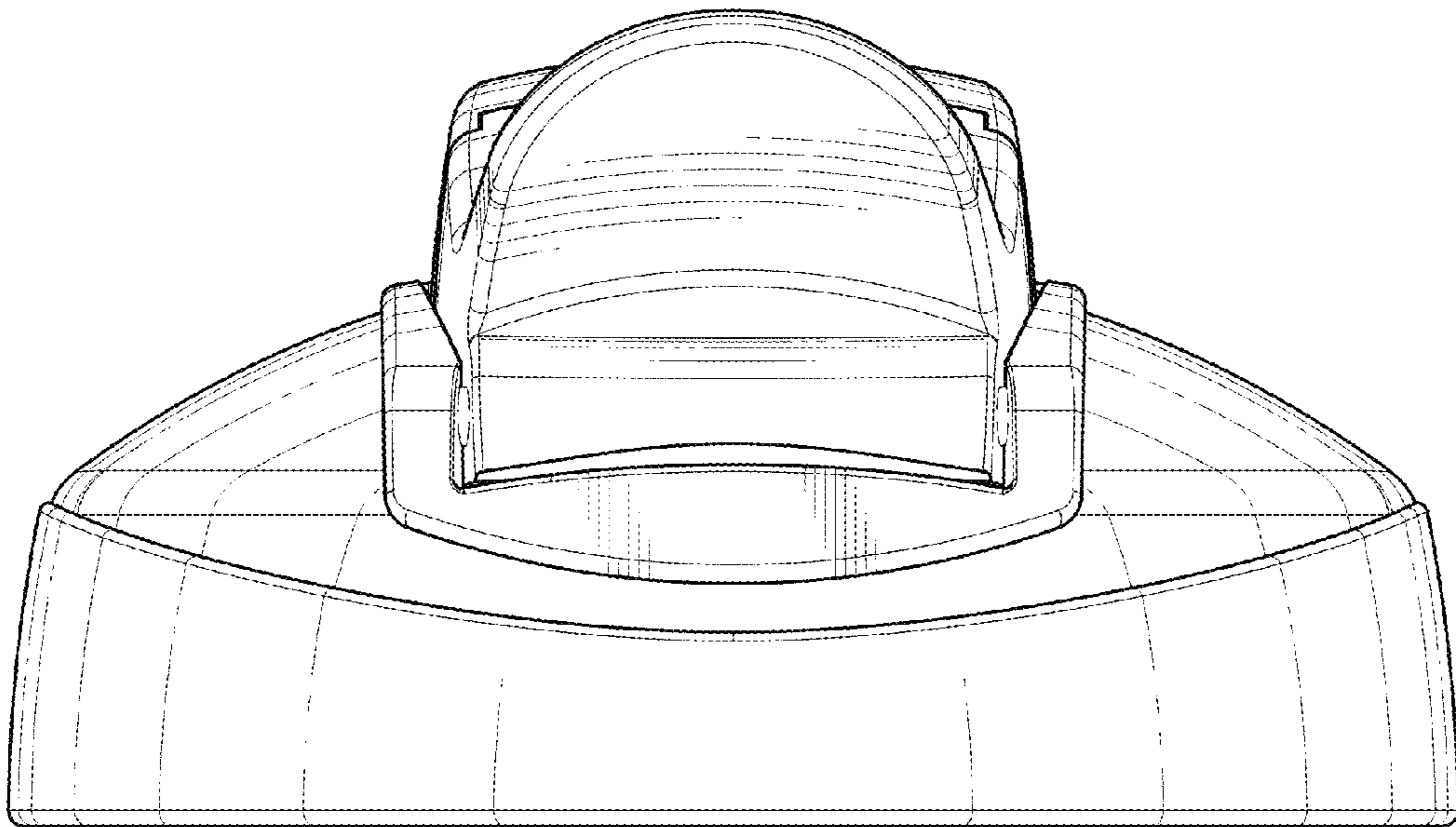


Fig. 4

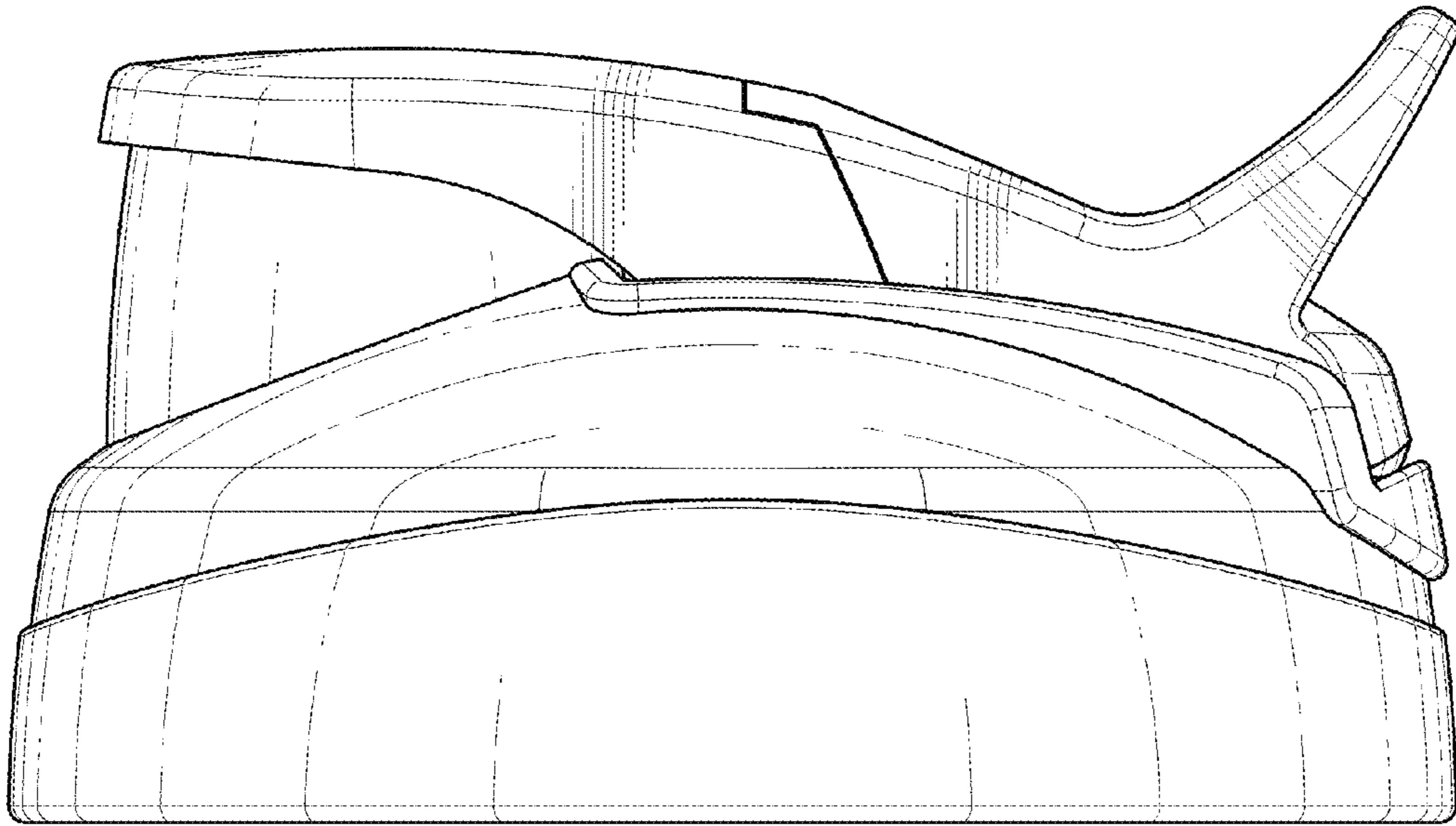


Fig. 5

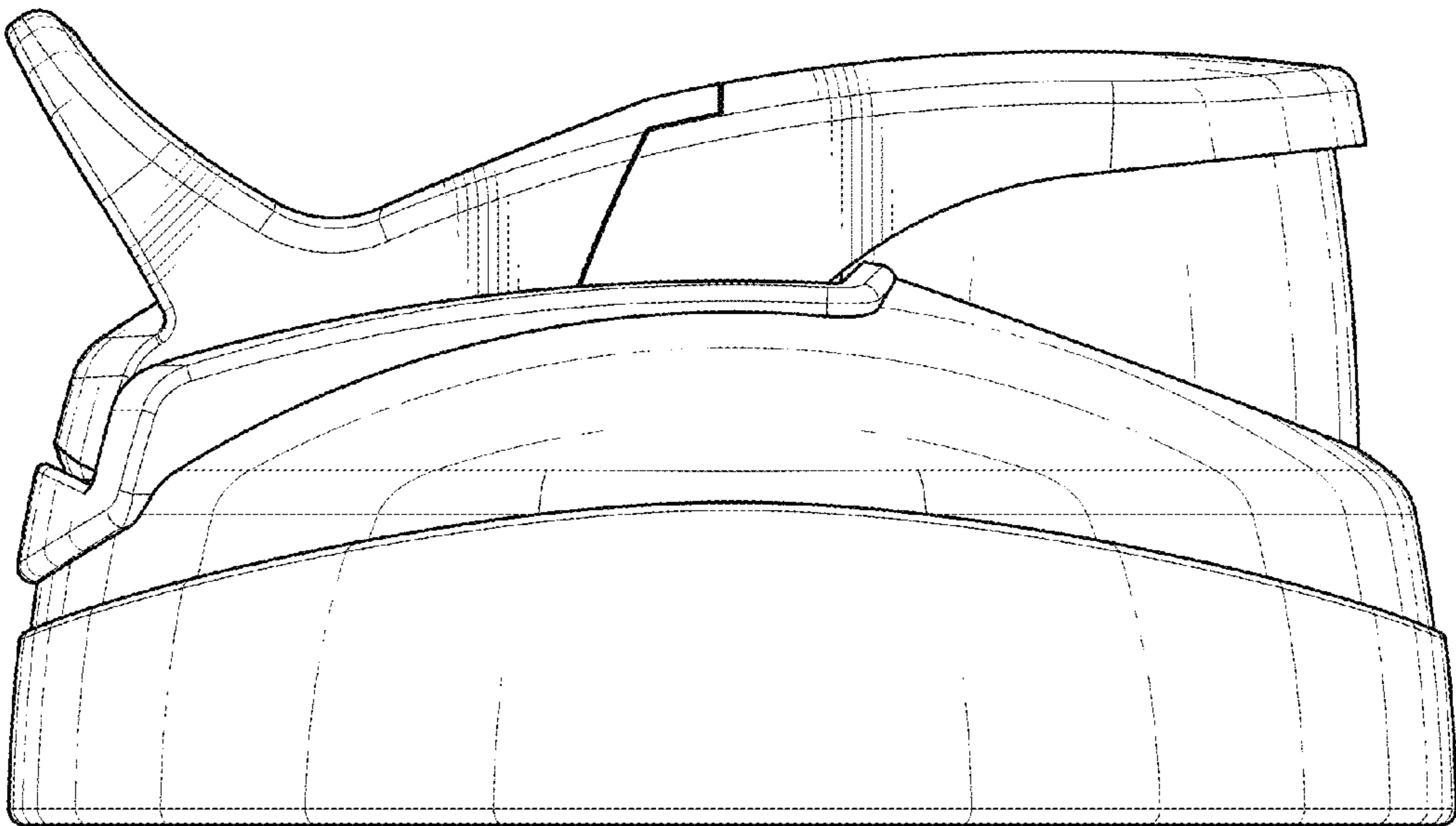


Fig. 6

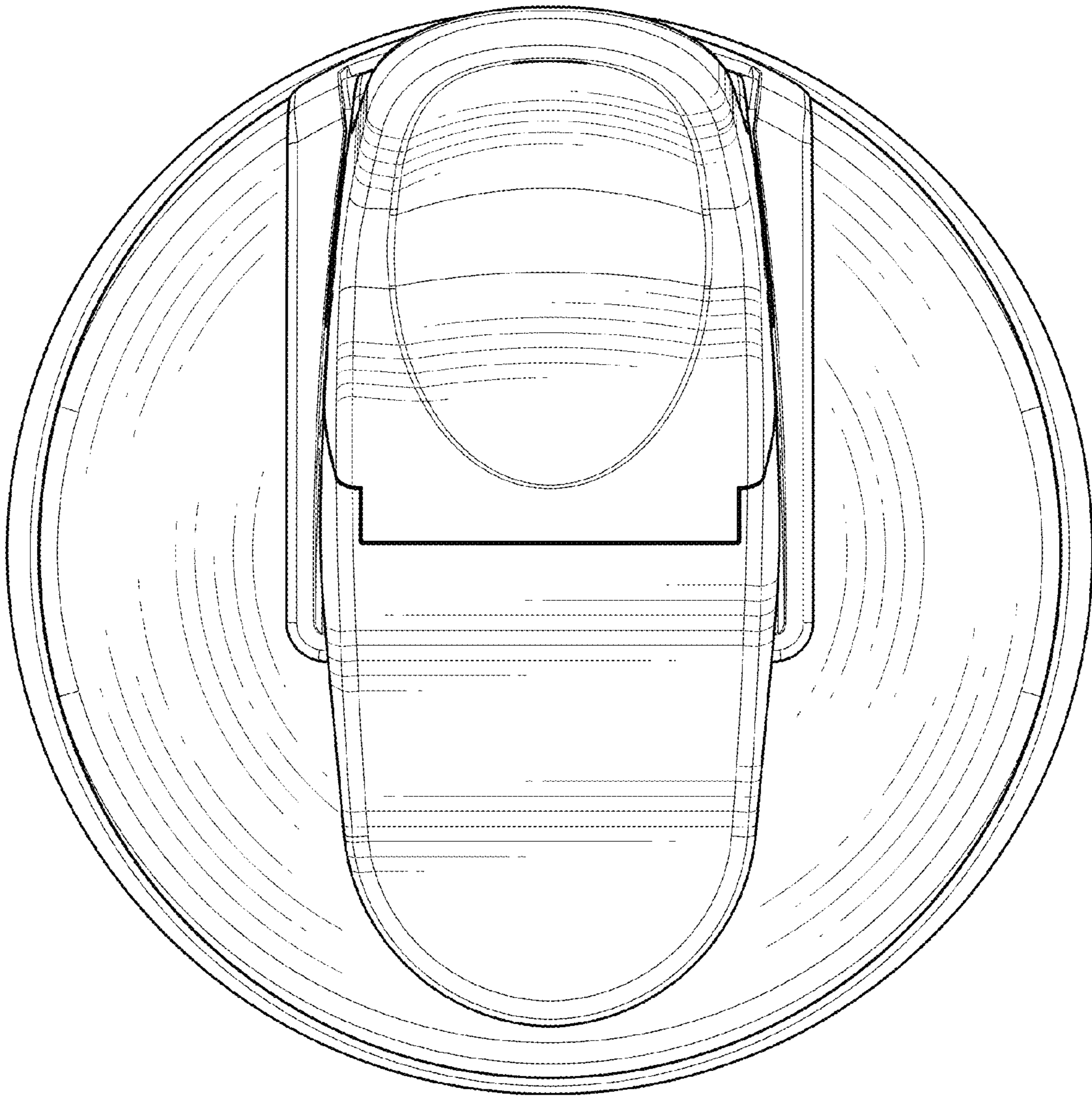


Fig. 7

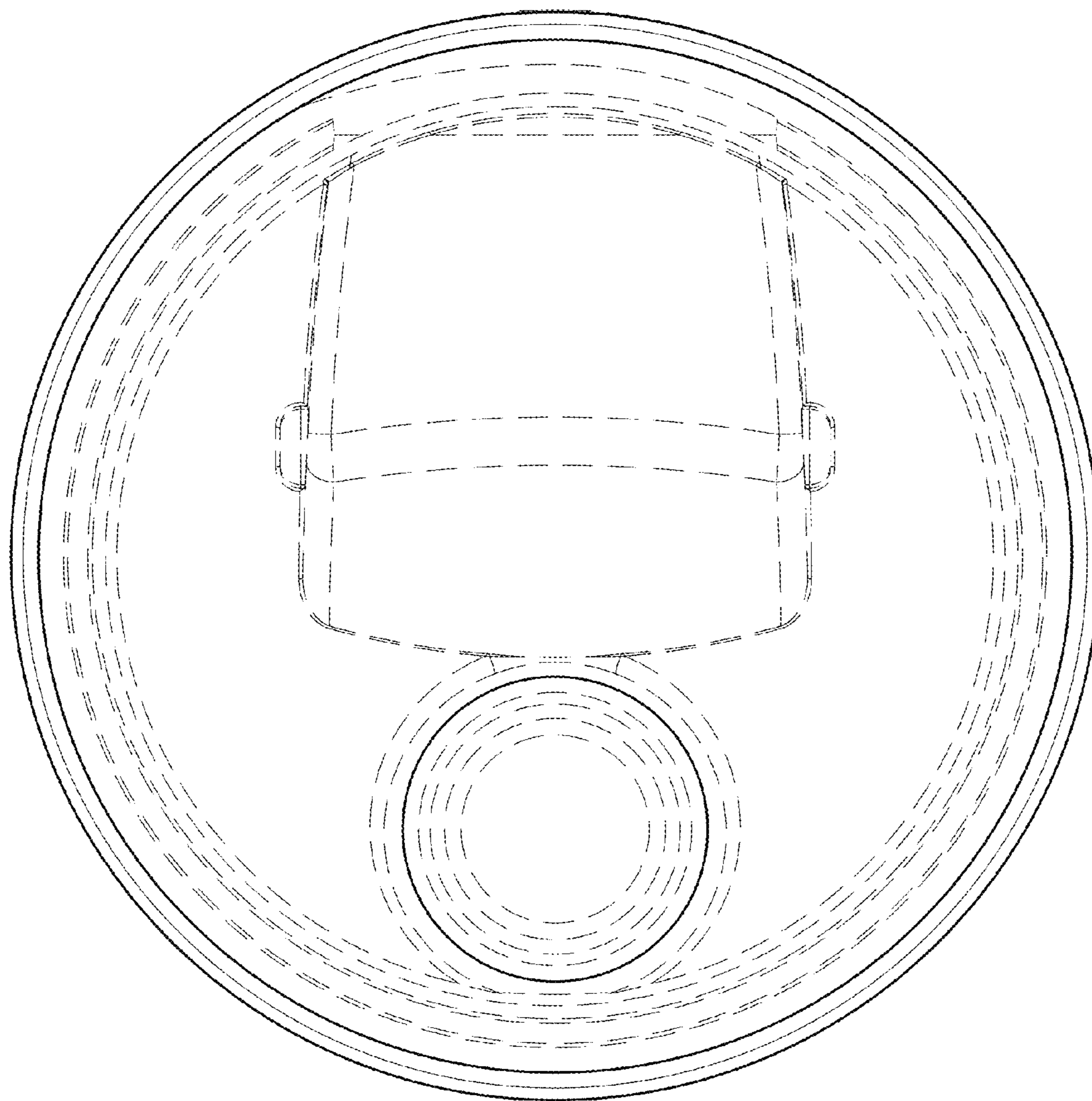


Fig. 8

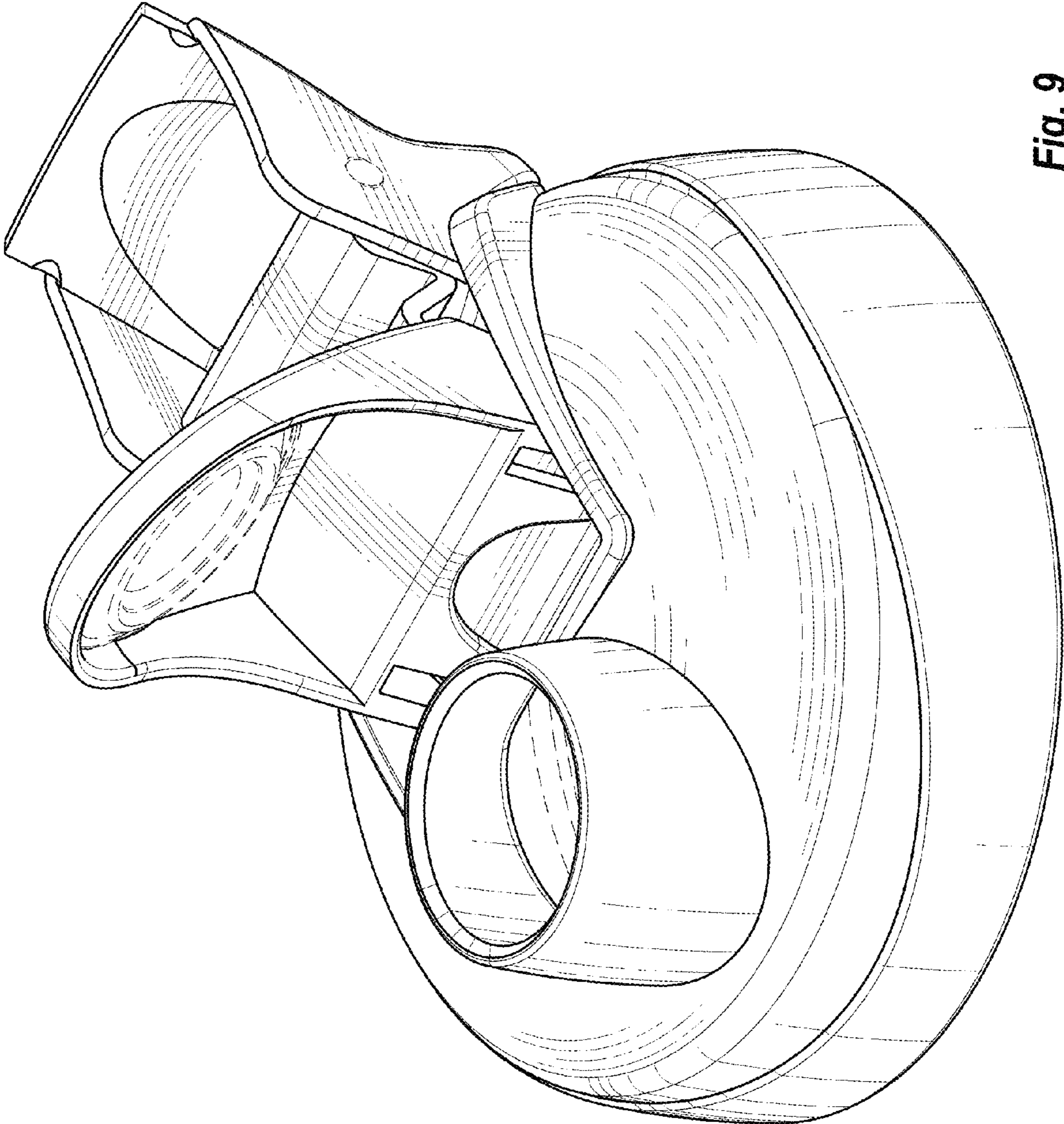


Fig. 9

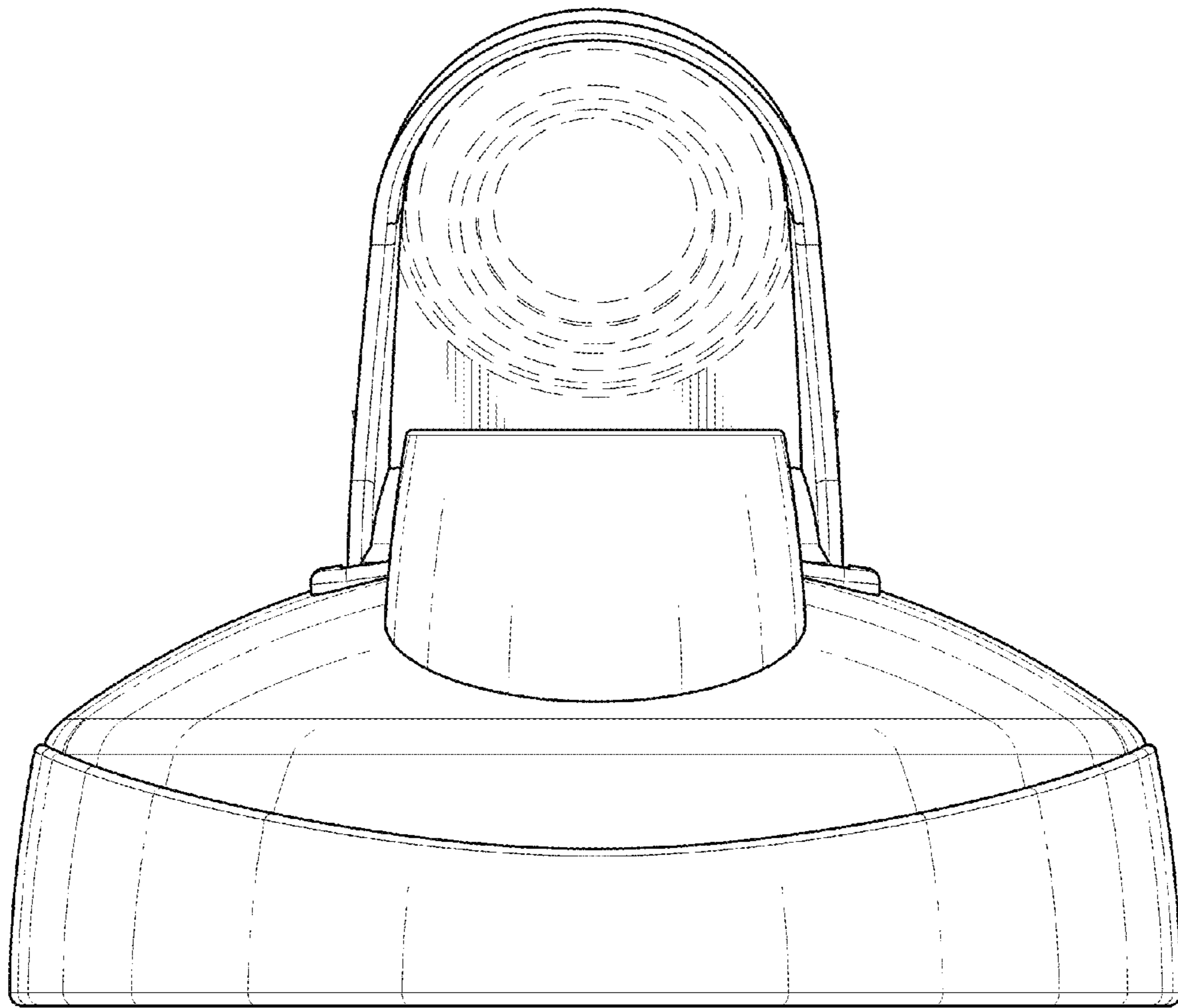


Fig. 10

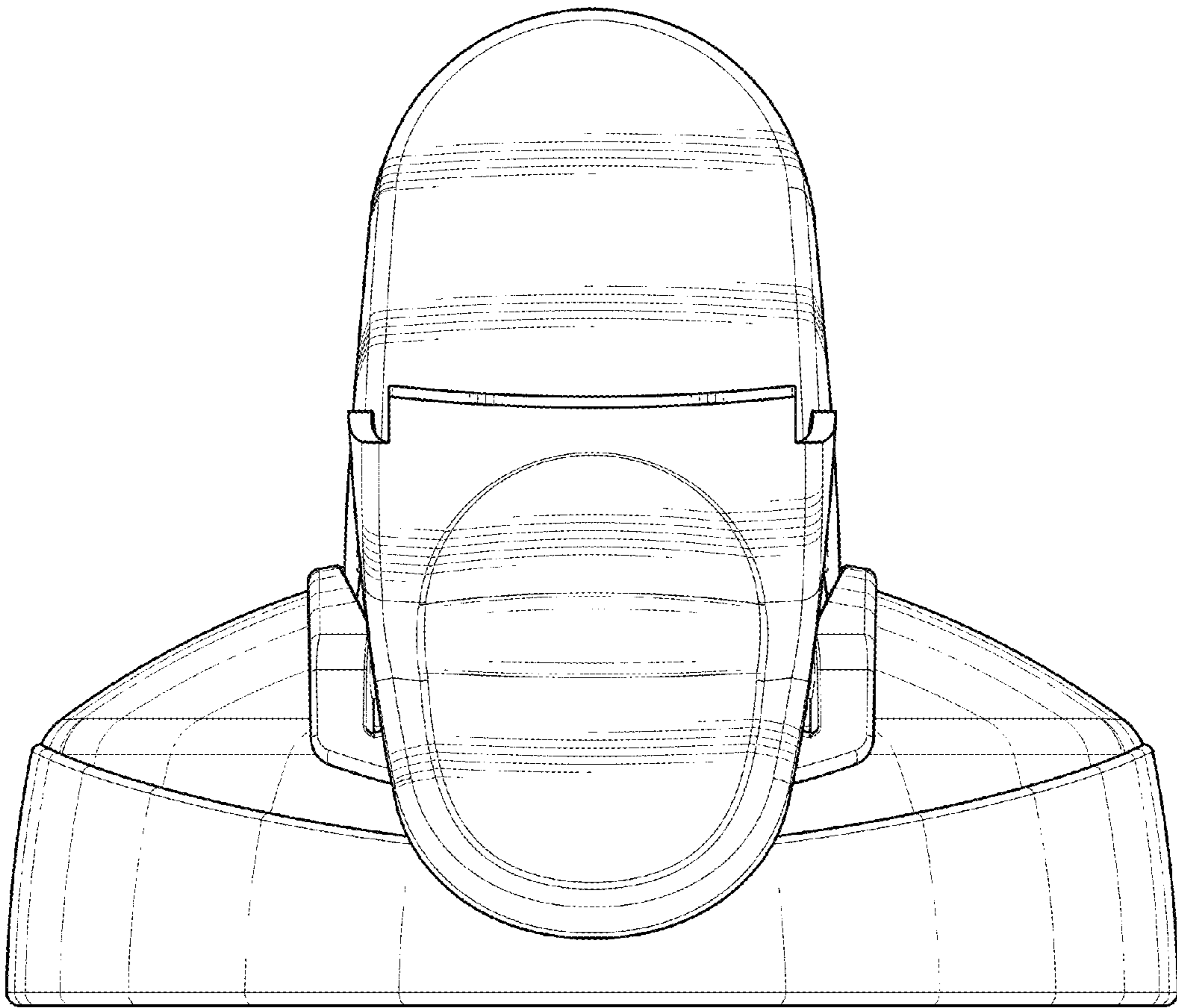


Fig. 11

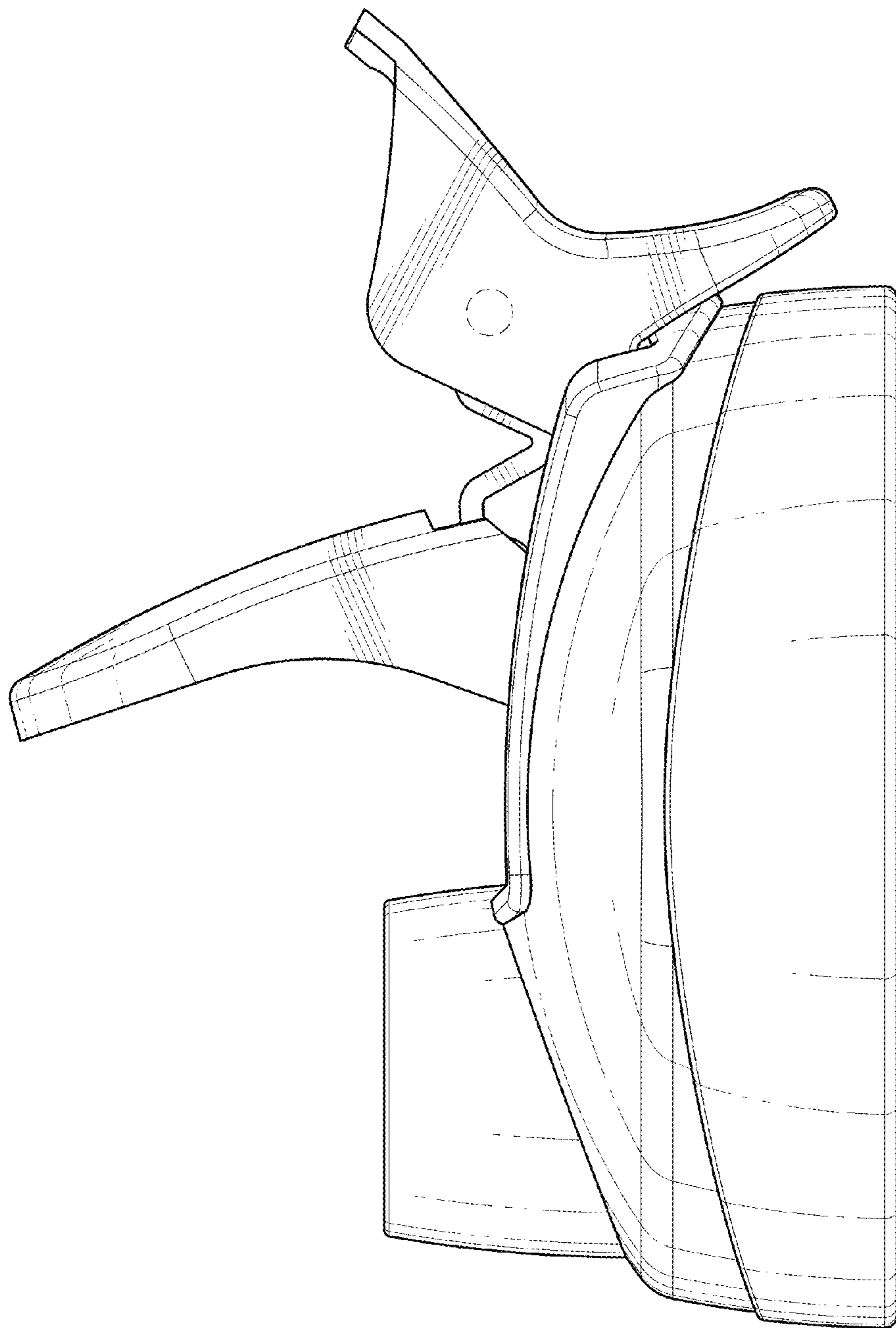


Fig. 12

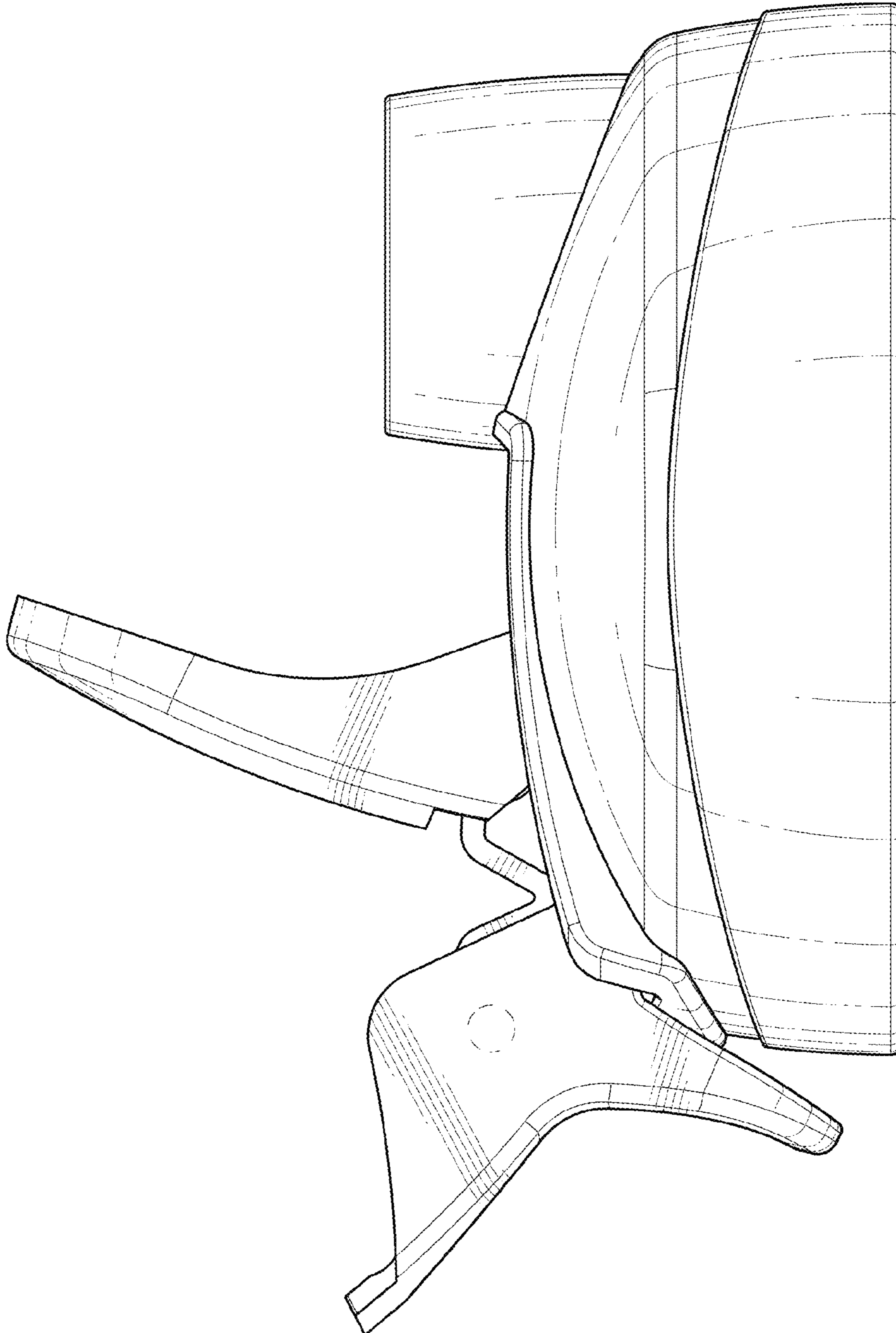


Fig. 13

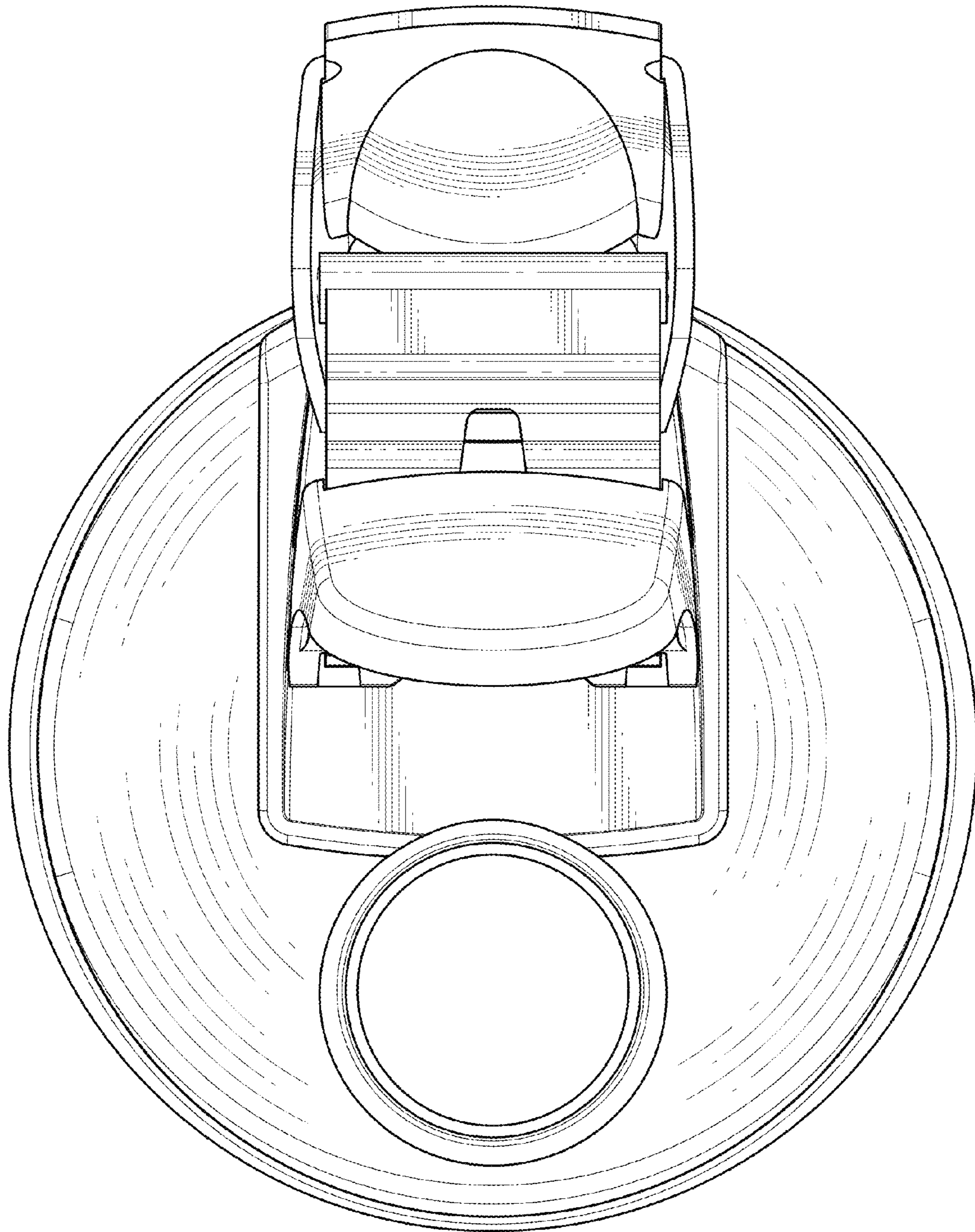


Fig. 14

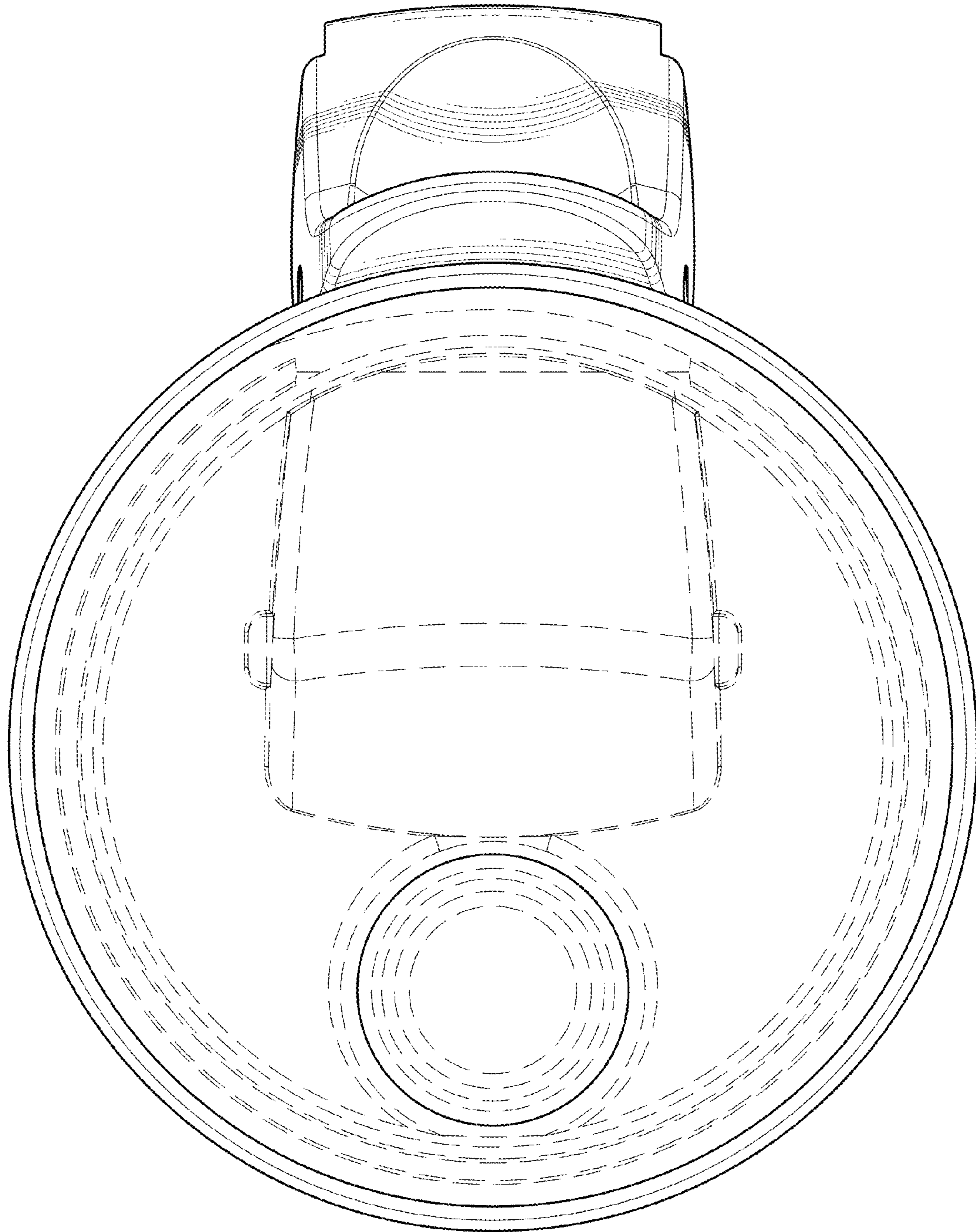


Fig. 15