

US00D748429S

(12) **United States Design Patent**  
Lv

(10) **Patent No.:** US D748,429 S  
(45) **Date of Patent:** \*\* Feb. 2, 2016

(54) **DRINKING BOTTLE LID**

(71) Applicant: **Shaoxing Morocomo Baby Products Co., Ltd**, Shengzhou, Zhejiang (CN)

(72) Inventor: **Wenda Lv**, Shengzhou (CN)

(73) Assignee: **SHAOXING MOROCOMO BABY PRODUCTS CO., LTD**, Shengzhou (CN)

(\*\*) Term: **14 Years**

(21) Appl. No.: **29/502,380**

(22) Filed: **Sep. 16, 2014**

(51) **LOC (10) Cl.** ..... **07-02**

(52) **U.S. Cl.**  
USPC ..... **D7/391**

(58) **Field of Classification Search**  
USPC ..... D7/372, 376–386, 392, 392.1, 396.2, D7/412–413, 507, 510–511, 602, 629, D7/665–666, 669, 679, 693–694; D9/443; D26/38  
CPC ..... A21C 1/02; A21C 1/04; A23N 1/00; A23N 1/02; A47G 19/2266; A47J 43/04; A47J 43/25; A47J 43/27; A47J 43/042; A47J 43/044; A47J 43/046; A47J 43/075; A47J 43/0722; A47J 43/0727; B01F 3/00; B01F 3/0807; B01F 3/0853; B01F 13/0059; B01F 13/0064; B02C 1/08; B02C 2/04; B02C 4/42; B02C 4/142; B02C 4/143; B02C 4/423; B02C 13/1835; B28C 5/10; B28C 5/12; B28C 5/14; B28C 5/16; B65D 47/065  
See application file for complete search history.

(56) **References Cited**

U.S. PATENT DOCUMENTS

D547,607	S	*	7/2007	Forsman	.....	D7/396.2
D586,184	S	*	2/2009	Miller	.....	D7/511
D613,110	S	*	4/2010	Lane	.....	D7/392.1
D626,837	S	*	11/2010	Meyers	.....	D9/443
D660,487	S	*	5/2012	Wu	.....	D26/38
D669,310	S	*	10/2012	Barreto	.....	D7/510
D670,134	S	*	11/2012	Di Lollo	.....	D7/300.1
D682,034	S	*	5/2013	El-Saden	.....	D7/510
D702,079	S	*	4/2014	Hung	.....	D7/392.1
D729,569	S	*	5/2015	Herbst	.....	D7/392
D739,174	S	*	9/2015	Elsaden	.....	D7/392.1
2007/0039959	A1	*	2/2007	Choi	.....	B65D 47/065 220/212.5
2010/0181329	A1	*	7/2010	Davies	.....	A47G 19/2266 220/707

\* cited by examiner

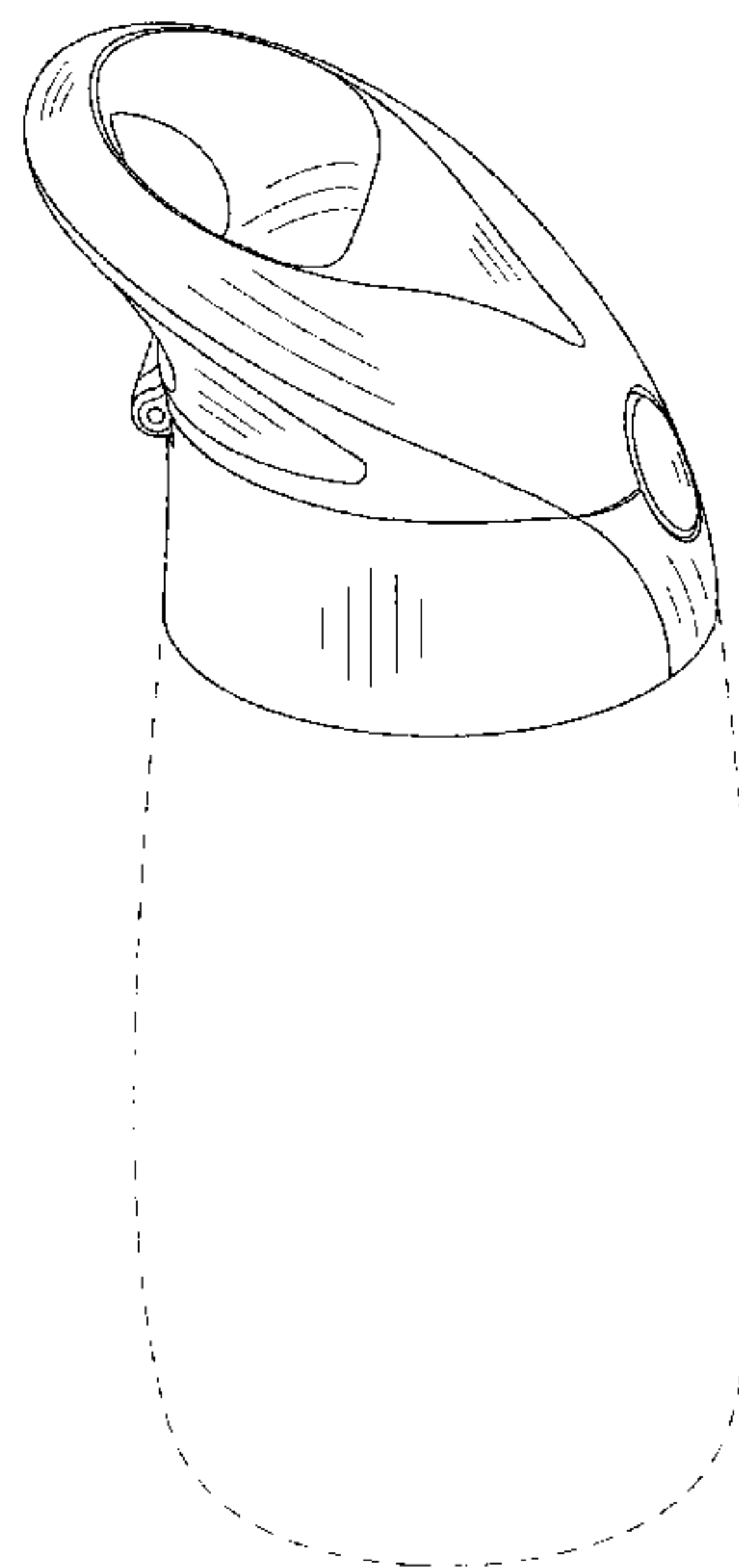
*Primary Examiner* — Ricky Pham

(57) **CLAIM**  
The ornamental design for a drinking bottle lid, as shown and described.

**DESCRIPTION**

FIG. 1 is a front elevational view of a drinking bottle lid showing my new design;  
FIG. 2 is a rear elevational view thereof;  
FIG. 3 is a left side view thereof;  
FIG. 4 is a right side view thereof;  
FIG. 5 is a top plan view thereof;  
FIG. 6 is a bottom plan view thereof;  
FIG. 7 is a first perspective view thereof;  
FIG. 8 is a second perspective view thereof; and,  
FIG. 9 is a third perspective view thereof.  
The broken lines are for illustrative purposes only and form no part of the claimed design.

**1 Claim, 8 Drawing Sheets**



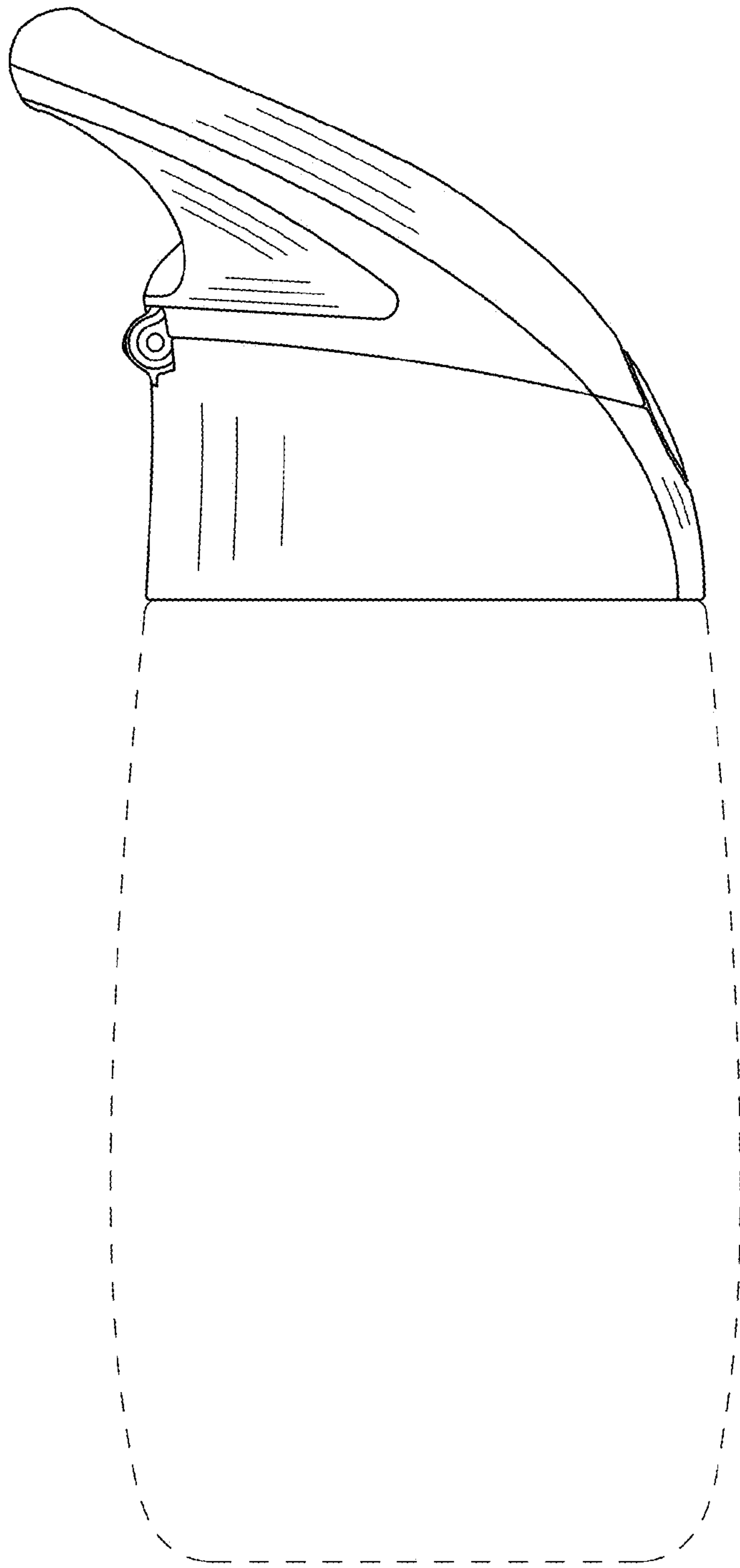


FIG. 1

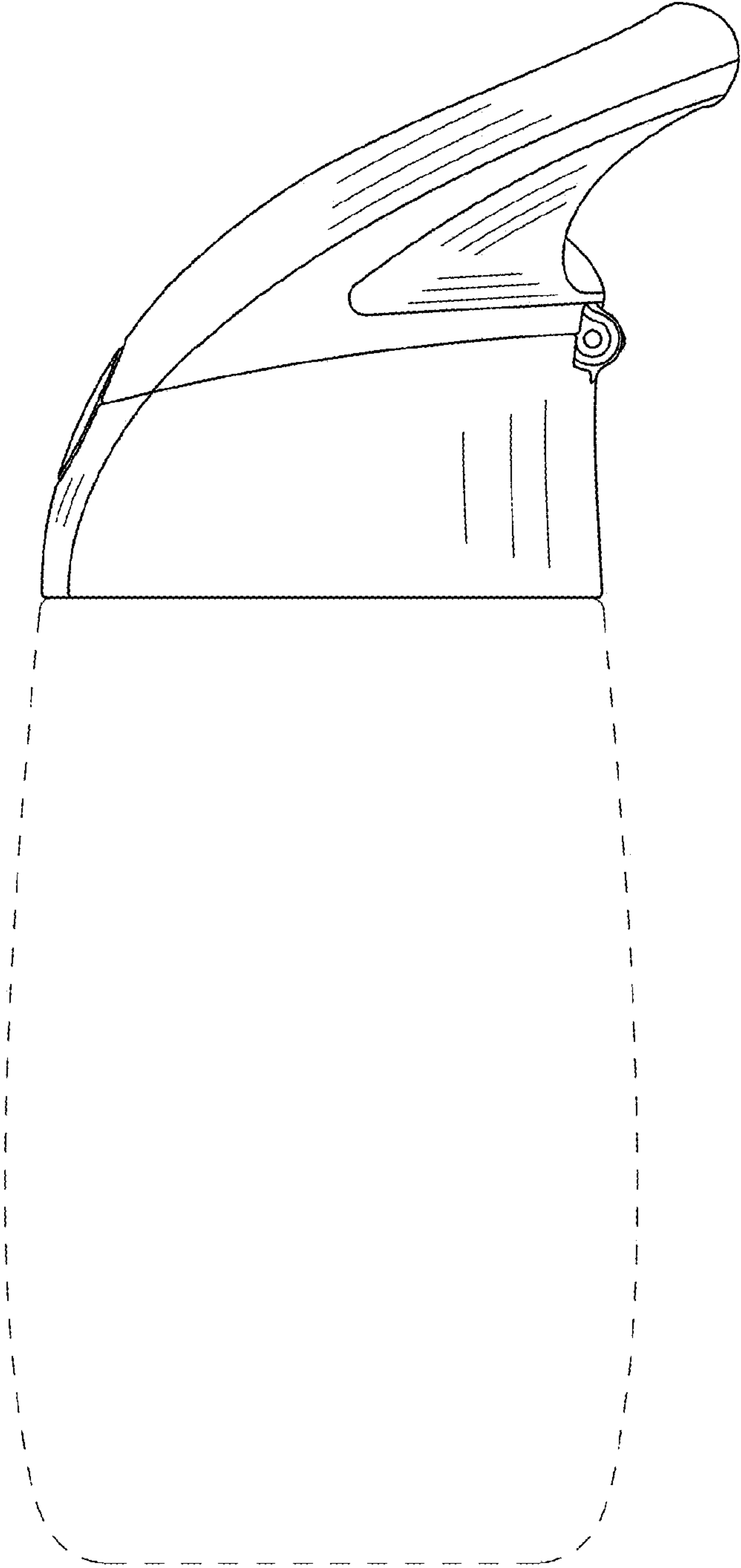


FIG. 2

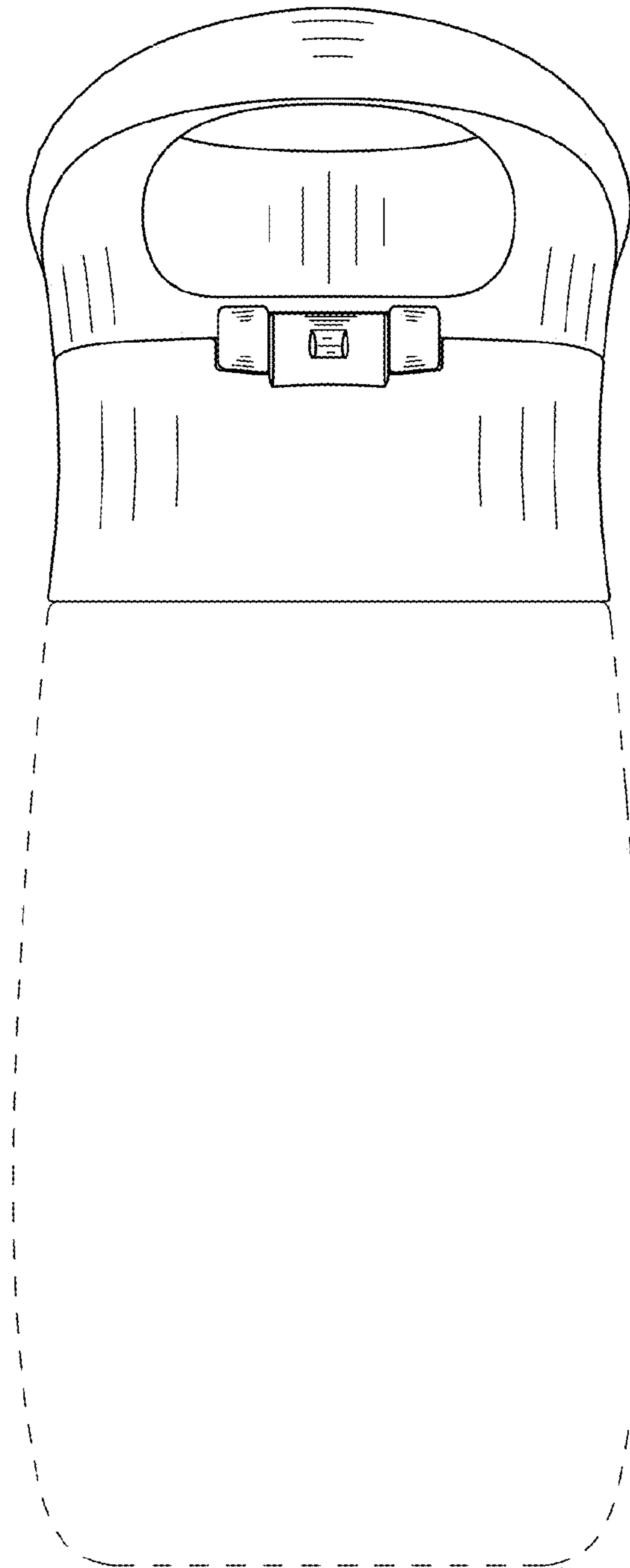


FIG.3

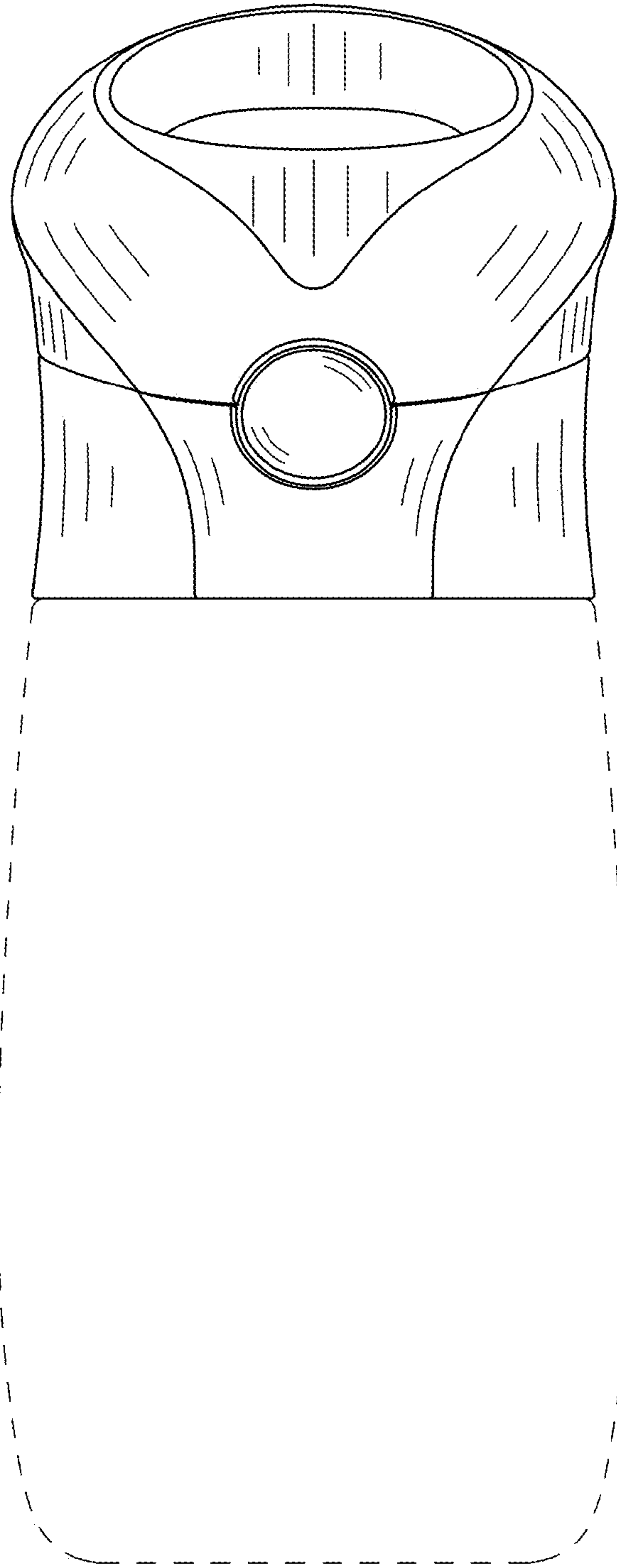


FIG. 4

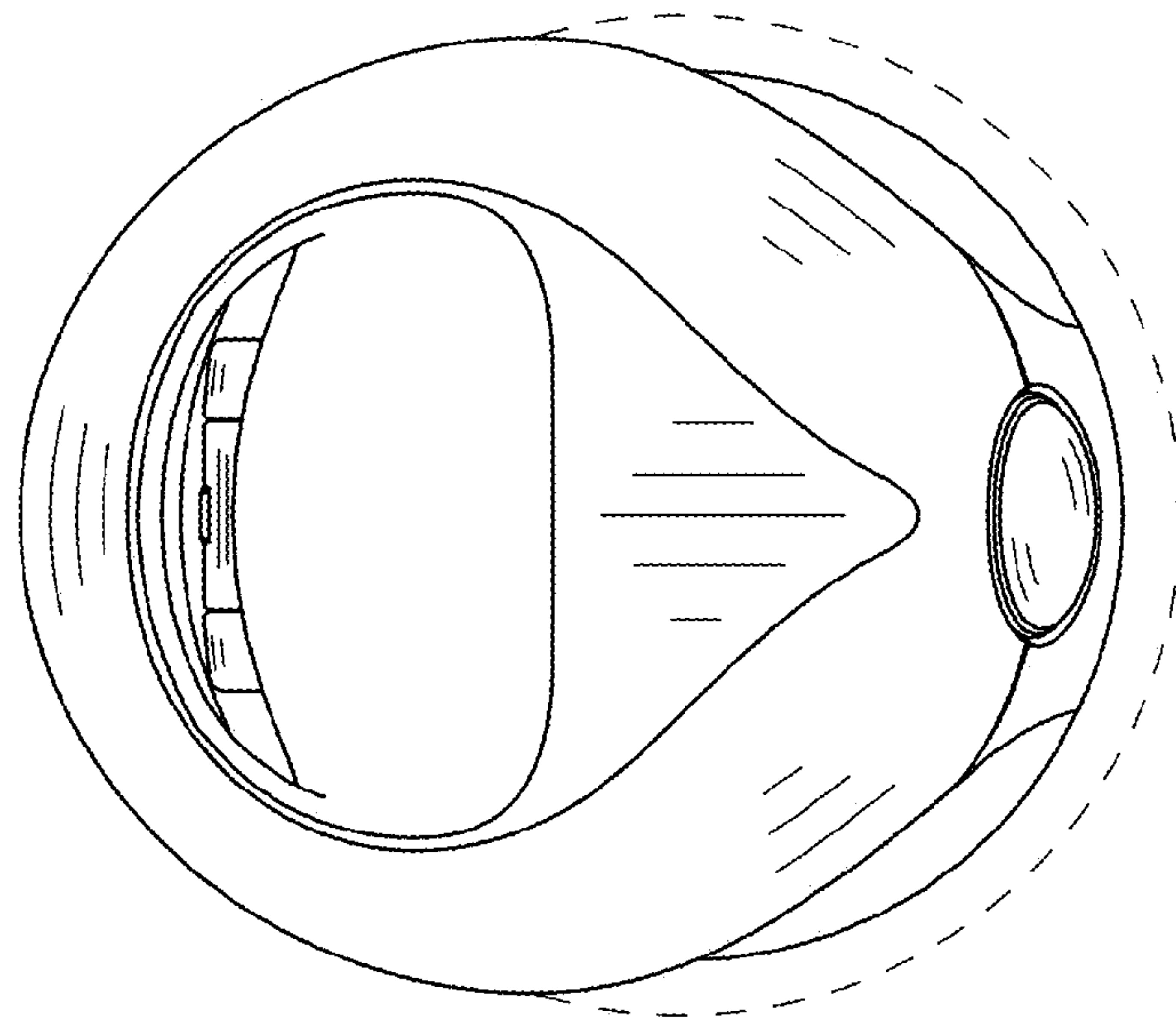


FIG. 5

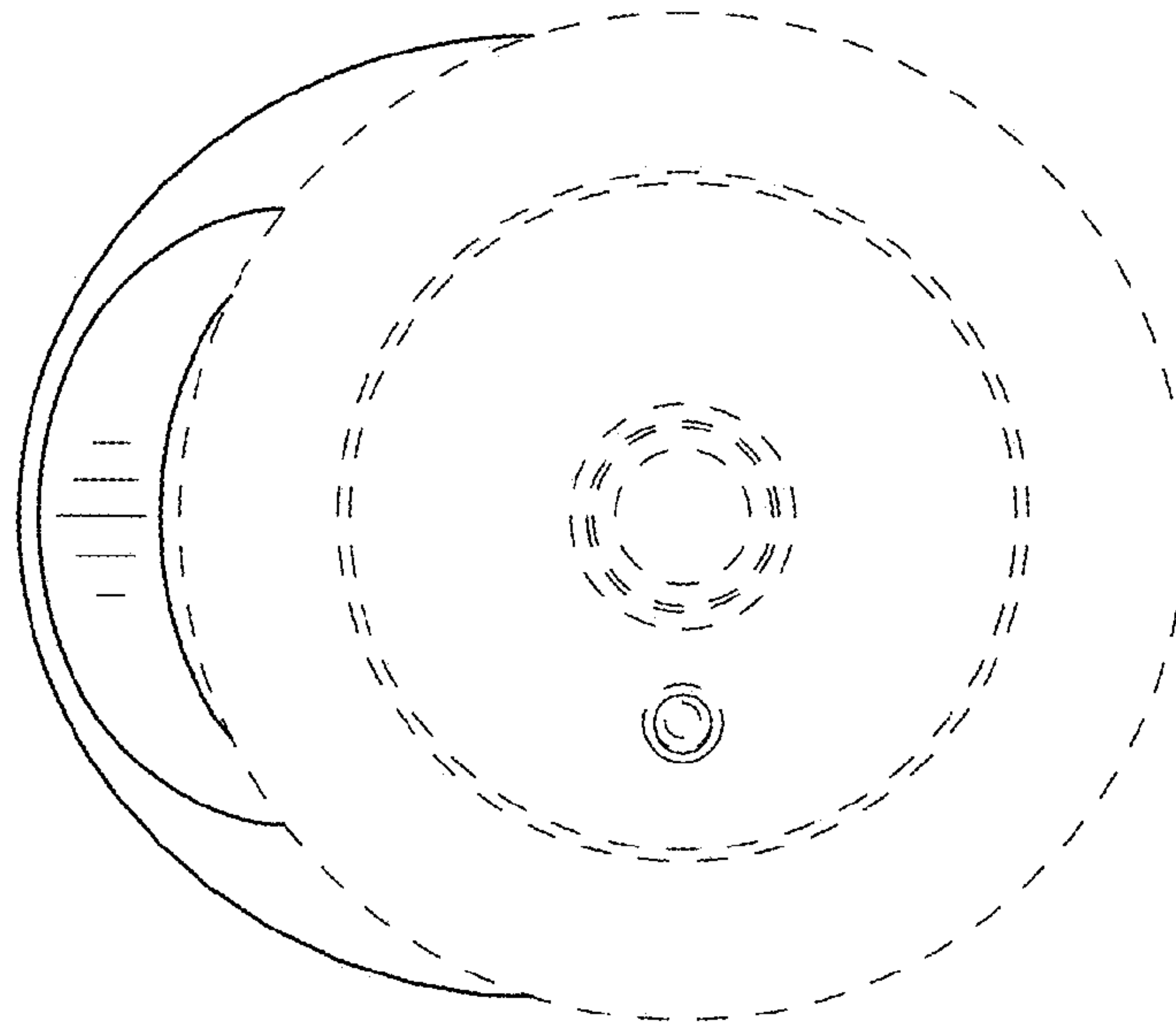


FIG. 6

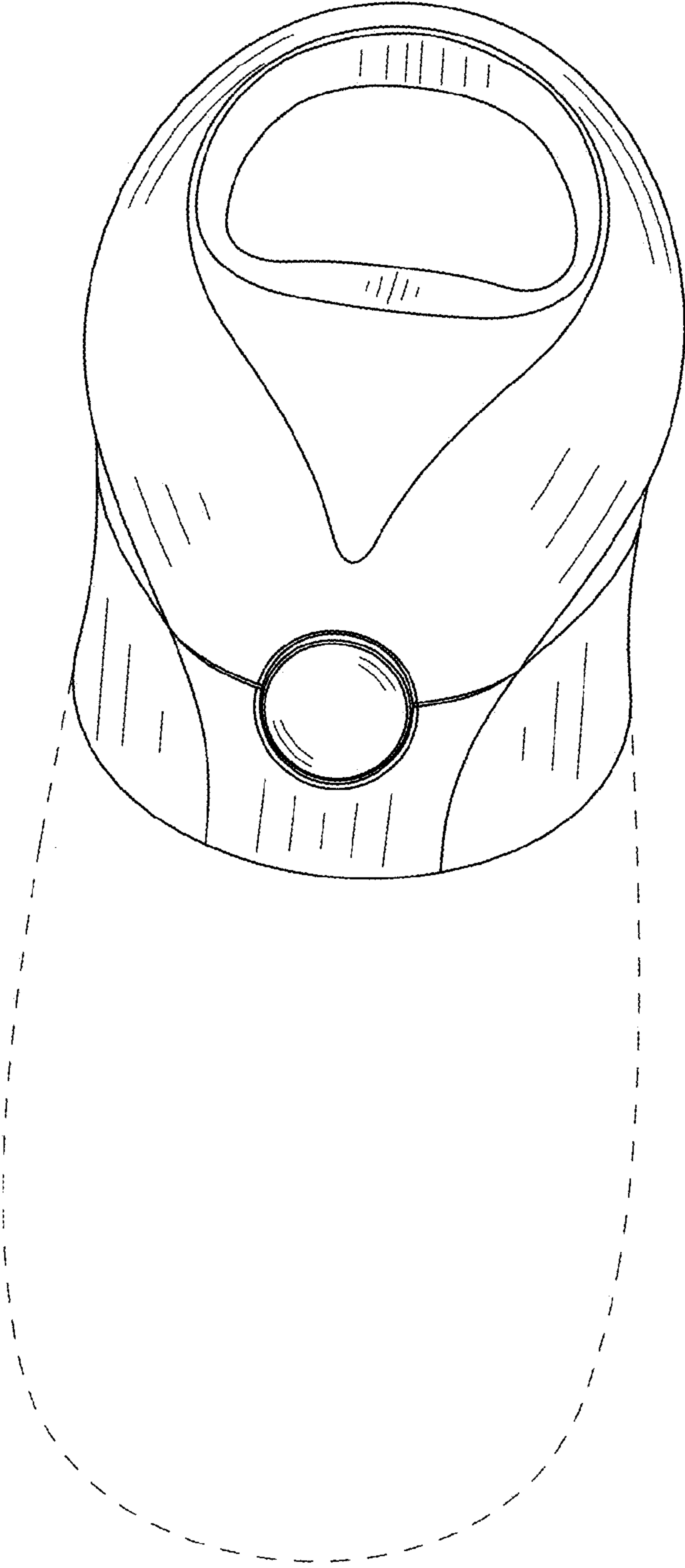


FIG. 7



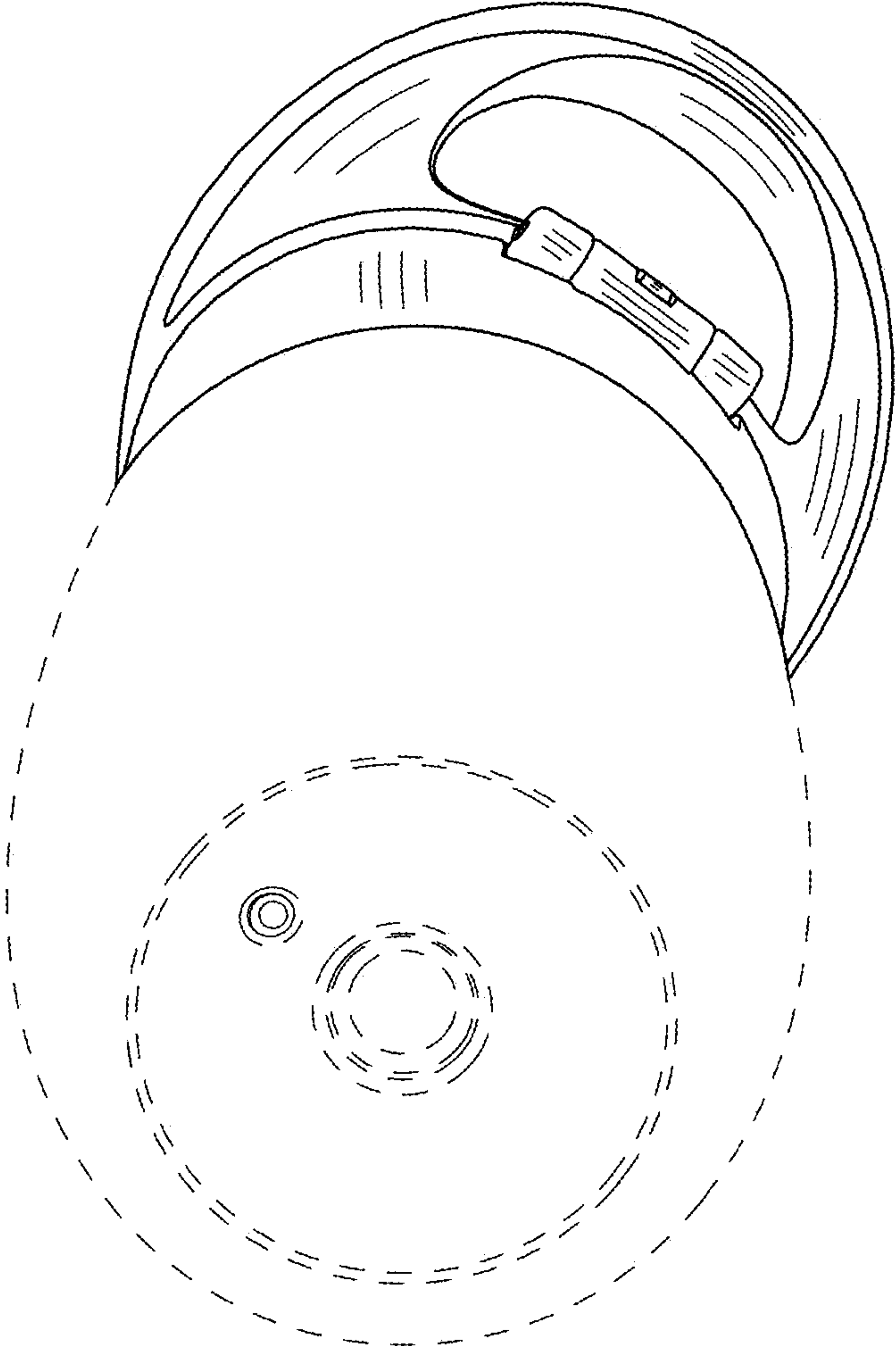


FIG.8



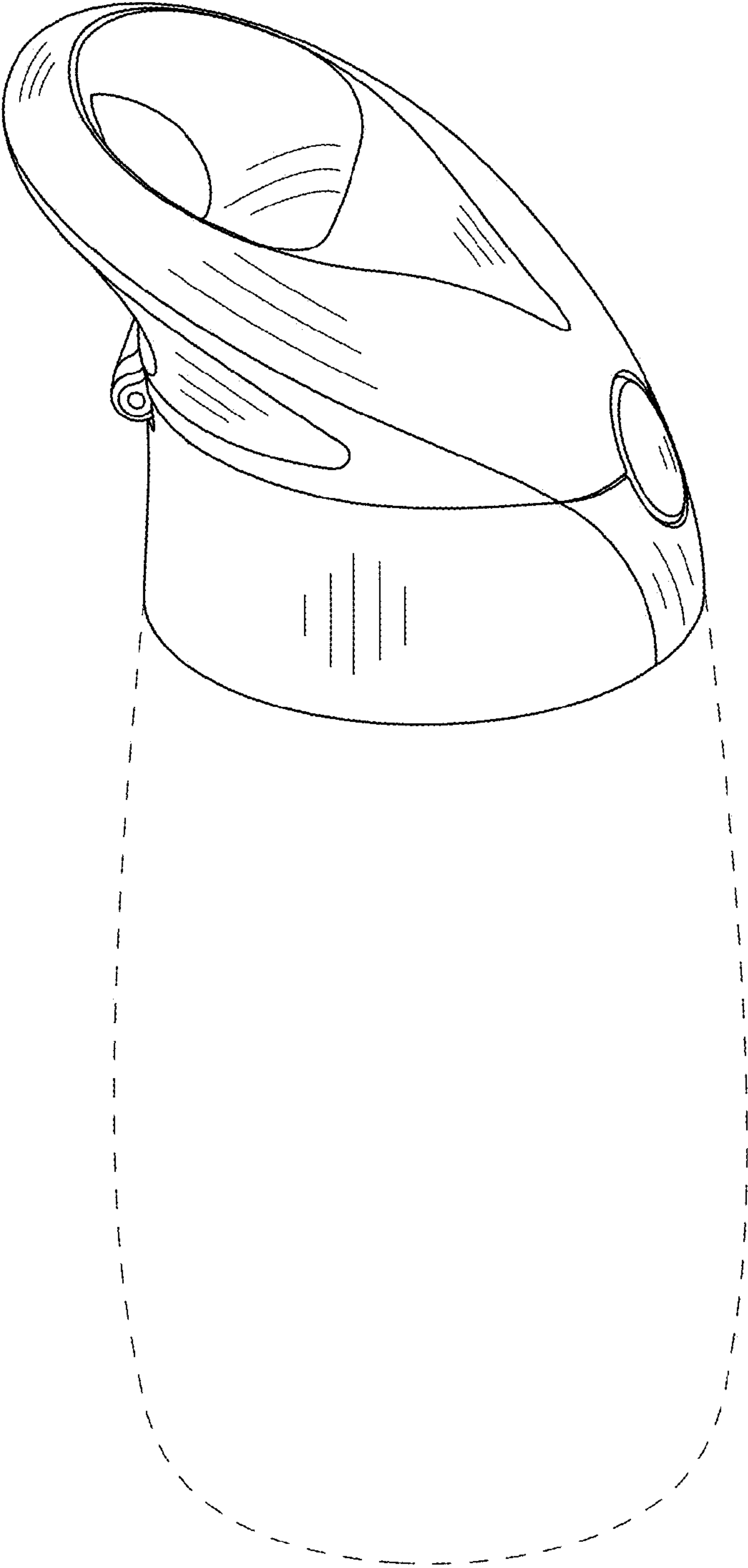


FIG. 9