



US00D748428S

(12) **United States Design Patent**
Yuan

(10) **Patent No.:** **US D748,428 S**

(45) **Date of Patent:** **** Feb. 2, 2016**

(54) **KITCHEN MACHINE**

(71) Applicant: **KONINKLIJKE PHILIPS N.V.**,
Eindhoven (NL)

(72) Inventor: **Chun Pong Yuan**, Hong Kong (CN)

(73) Assignee: **KONINKLIJKE PHILIPS N.V.**,
Eindhoven (NL)

(**) Term: **14 Years**

(21) Appl. No.: **29/503,167**

(22) Filed: **Sep. 24, 2014**

(30) **Foreign Application Priority Data**

Mar. 31, 2014 (EM) 002436303-0001

(51) **LOC (10) Cl.** **31-00**

(52) **U.S. Cl.**
USPC **D7/379; D7/376; D7/384**

(58) **Field of Classification Search**
USPC D7/372, 376-386, 412-413, 602, 629,
D7/665-666, 669, 679, 693-694
CPC A21C 1/02; A21C 1/04; A23N 1/00;
A23N 1/02; A47J 43/04; A47J 43/25; A47J
43/27; A47J 43/042; A47J 43/044; A47J
43/046; A47J 43/075; A47J 43/0722; A47J
43/0727; B01F 3/00; B01F 3/0807; B01F
3/0853; B01F 13/0059; B01F 13/0064;
B02C 1/08; B02C 2/04; B02C 4/42; B02C
4/142; B02C 4/143; B02C 4/423; B02C
13/1835; B28C 5/10; B28C 5/12; B28C 5/14;
B28C 5/16

See application file for complete search history.

(56) **References Cited**

U.S. PATENT DOCUMENTS

D162,875 S *	4/1951	Polivka et al.	D7/379
D189,936 S *	3/1961	Henry	D7/379
4,325,643 A *	4/1982	Scott	A47J 43/044 241/101.1
D286,258 S *	10/1986	Grange	D7/379
D499,604 S *	12/2004	Hooper	D7/376
D502,841 S *	3/2005	Santer	D7/309
D530,146 S *	10/2006	Ball	D7/379
D584,916 S *	1/2009	Christou	D7/376
D612,195 S *	3/2010	Liu	D7/379
D632,922 S *	2/2011	Grigor	D7/376
D633,334 S *	3/2011	Kaiser	D7/376
D677,520 S *	3/2013	Choi	D7/376
D728,304 S *	5/2015	Weaden	D7/376

* cited by examiner

Primary Examiner — Ricky Pham

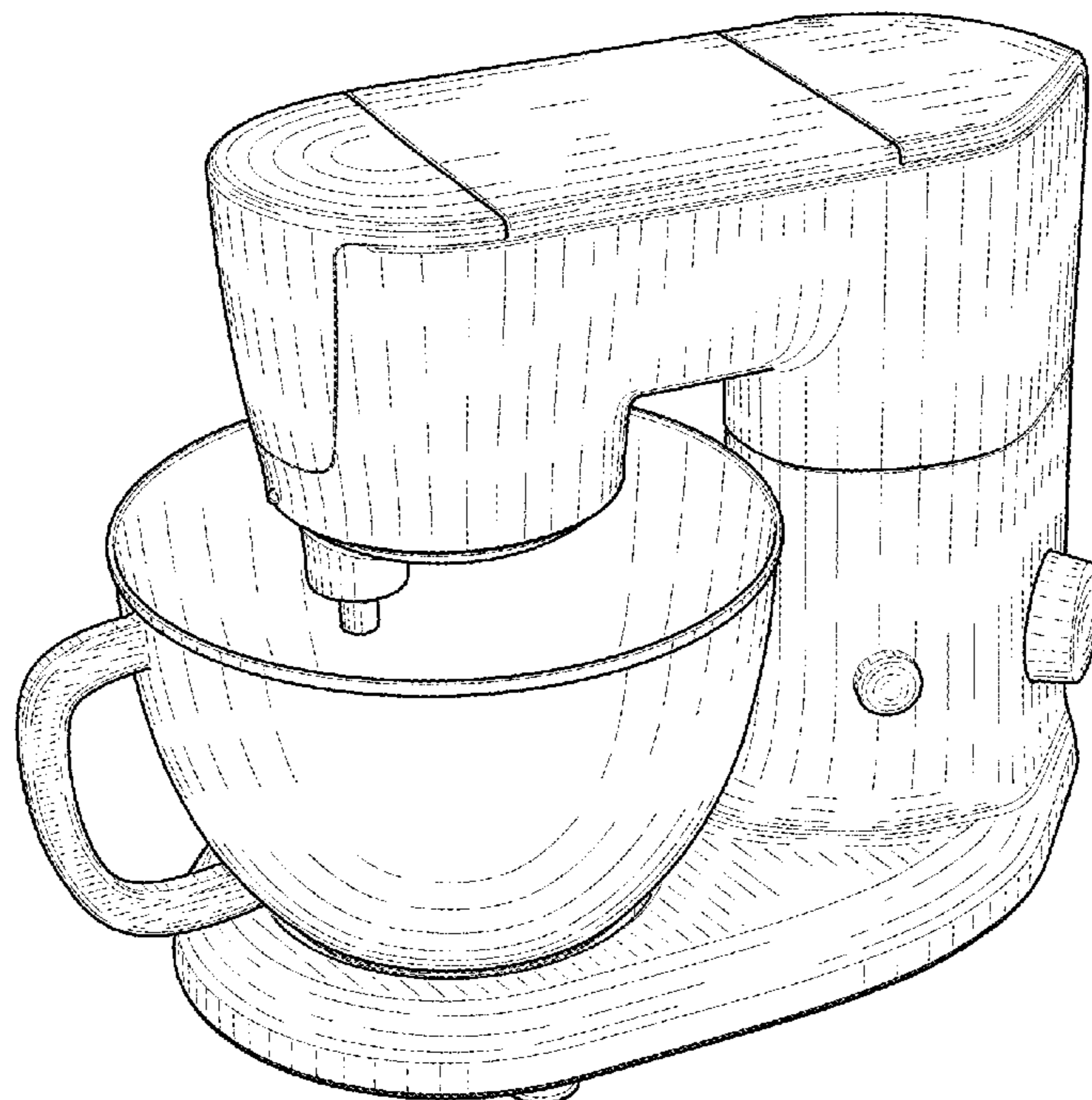
(57) **CLAIM**

The ornamental design for a kitchen machine, as shown.

DESCRIPTION

FIG. 1 is a perspective view showing my design;
FIG. 2 is a front elevational view thereof;
FIG. 3 is a rear elevational view thereof;
FIG. 4 is a right side elevational view thereof;
FIG. 5 is a left side elevational view thereof;
FIG. 6 is a top plan view thereof; and,
FIG. 7 is a bottom plan view thereof.

1 Claim, 6 Drawing Sheets



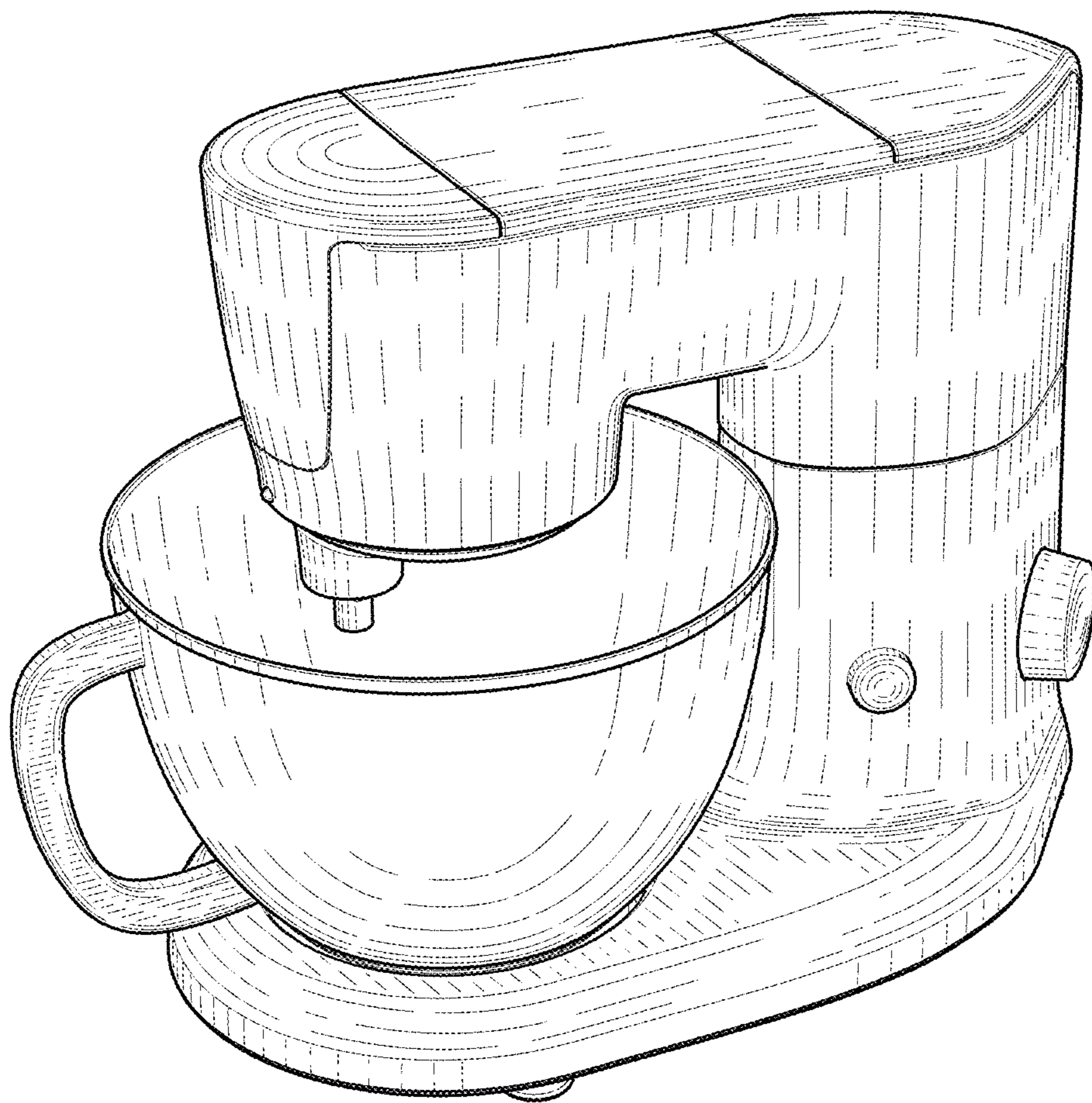


FIG. 1

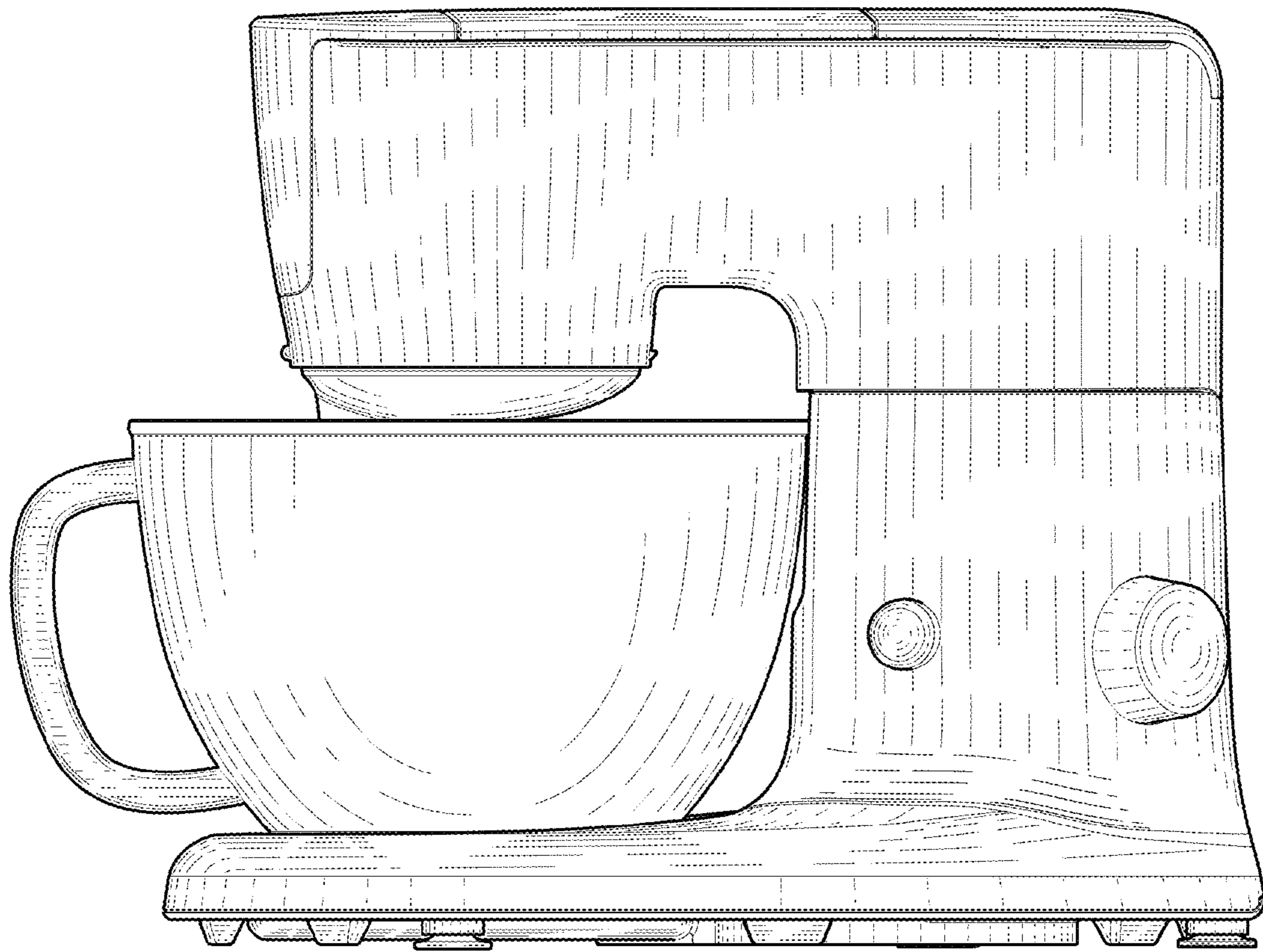


FIG. 2

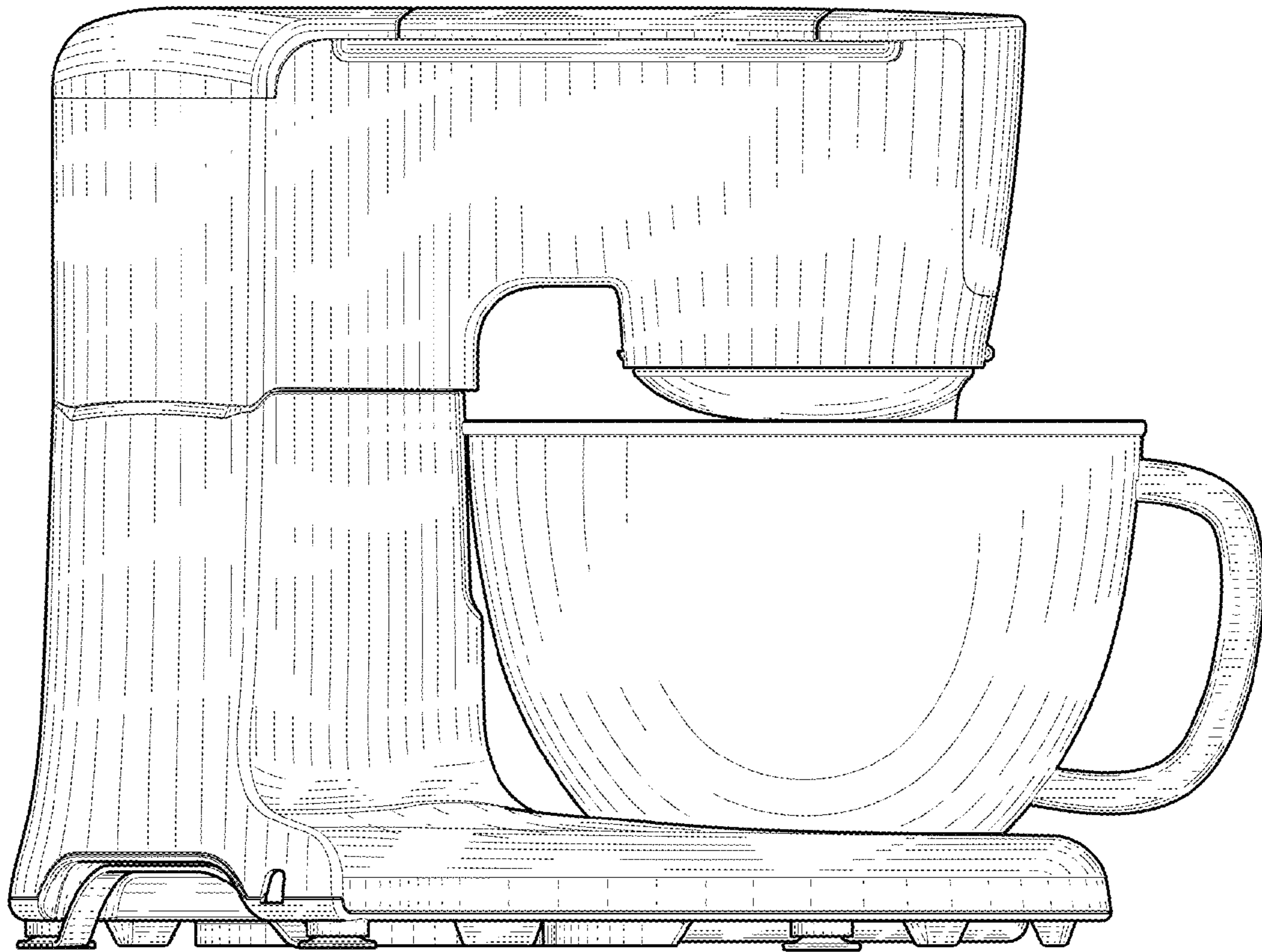


FIG. 3

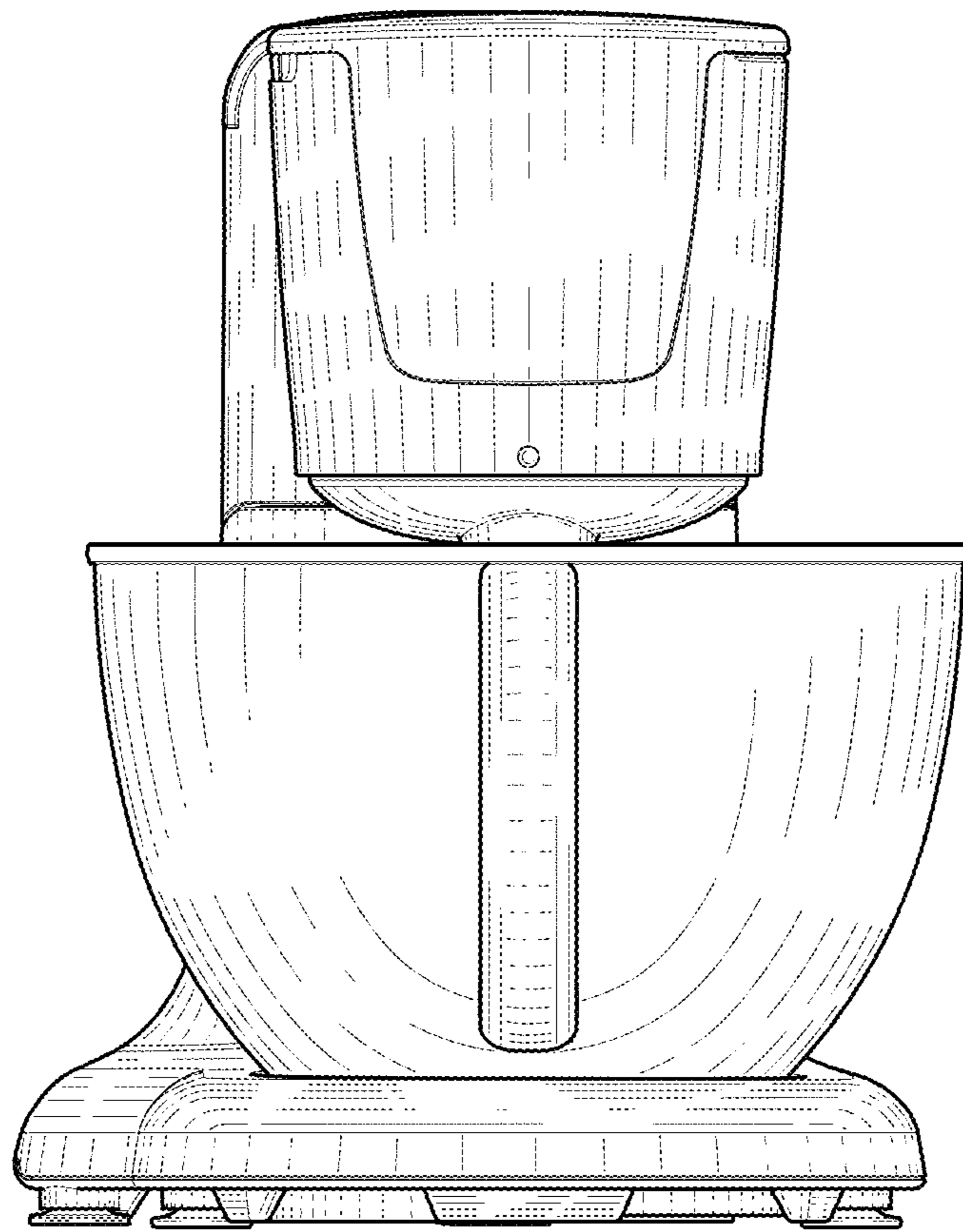


FIG. 4

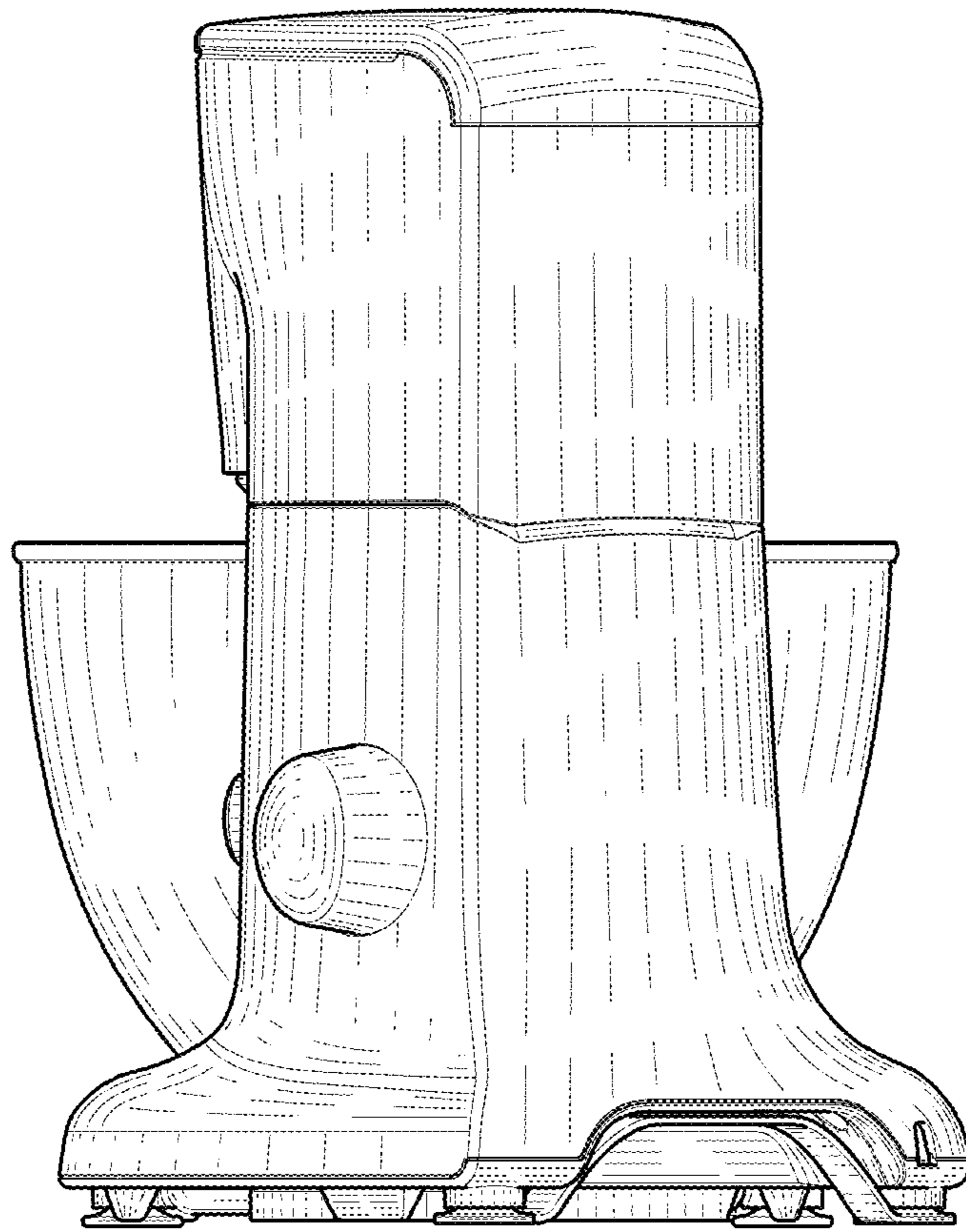


FIG. 5

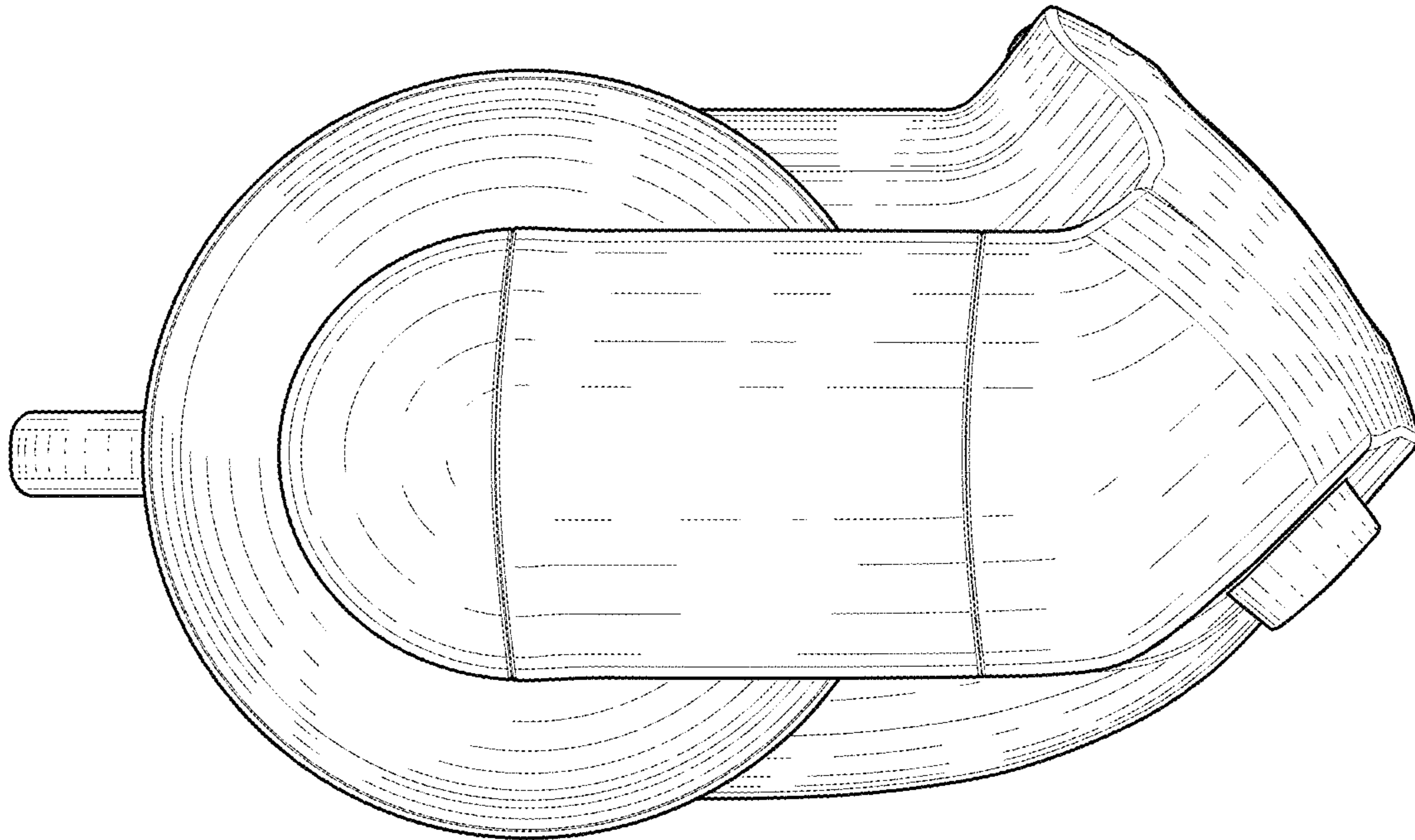


FIG. 6

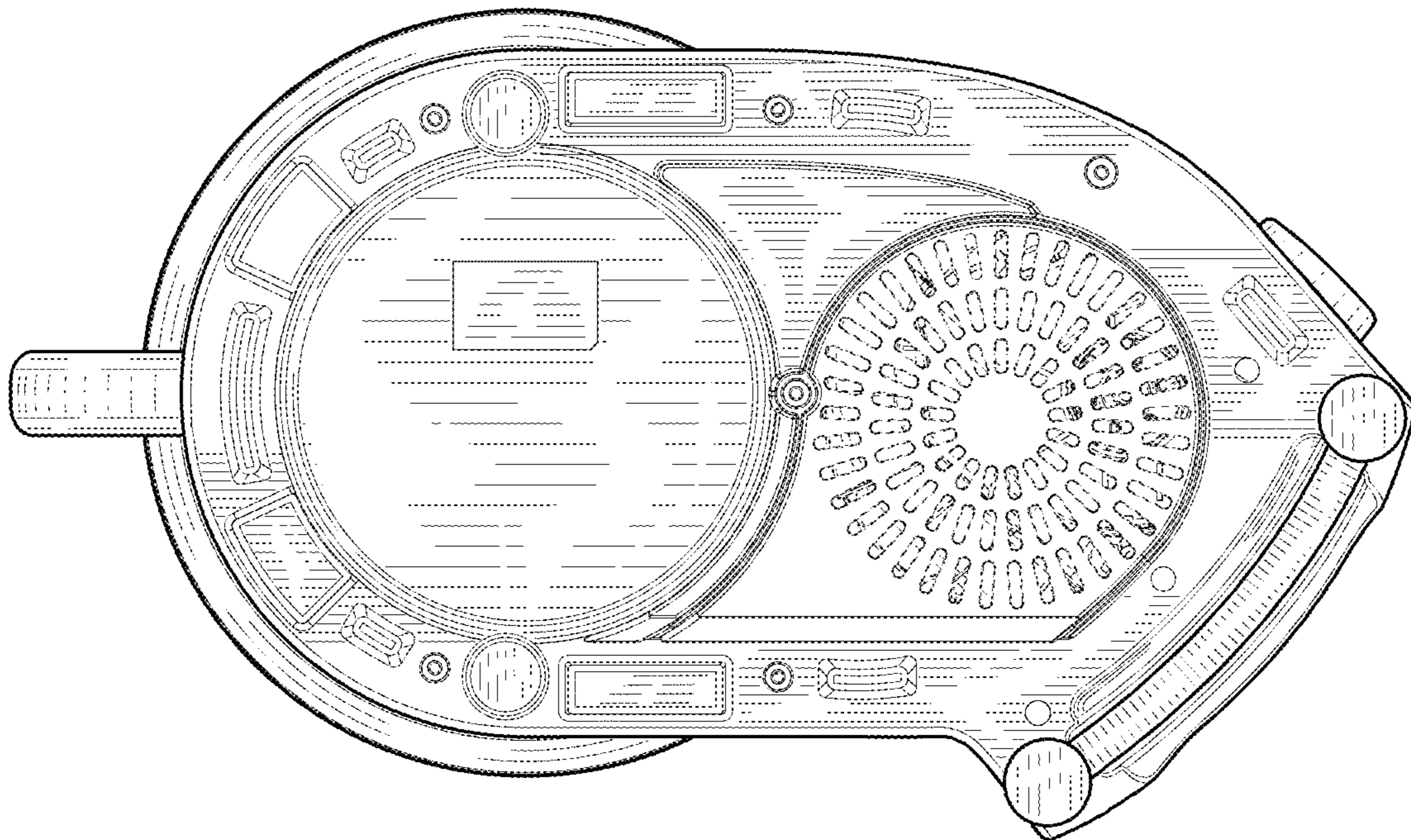


FIG. 7