



US00D748427S

(12) **United States Design Patent**
Roux et al.

(10) **Patent No.:** **US D748,427 S**

(45) **Date of Patent:** **** Feb. 2, 2016**

(54) **BEVERAGE MAKER**

(56) **References Cited**

(71) Applicant: **Keyway Innovations (Shanghai) Company Limited**, Shanghai (CN)
(72) Inventors: **Nicolas Philippe Roux**, Shanghai (CN); **Rick Ha**, Shanghai (CN); **Jun Jiang**, Shanghai (CN)
(73) Assignee: **KEYWAY INNOVATIONS (SHANGHAI) COMPANY LIMITED**, Shanghai (CN)
(**) Term: **14 Years**

U.S. PATENT DOCUMENTS

D395,191	S	*	6/1998	Chang	D7/309
D412,424	S	*	8/1999	Au	D7/305
6,171,490	B1	*	1/2001	Kim	C02F 1/003 210/222
D479,091	S	*	9/2003	Glucksman	D7/317
D490,875	S	*	6/2004	Kim	D23/207
D498,383	S	*	11/2004	Chang	D7/305
D544,288	S	*	6/2007	Berlencourt	D7/317
D577,257	S	*	9/2008	Kuan	D7/384
D628,426	S	*	12/2010	Hoare	D7/317
D688,911	S	*	9/2013	Chiarini	D7/376
8,555,813	B2	*	10/2013	Parks	A01K 5/0114 119/51.01

(21) Appl. No.: **29/500,642**

* cited by examiner

(22) Filed: **Aug. 27, 2014**

Primary Examiner — Ricky Pham

(30) **Foreign Application Priority Data**

(74) *Attorney, Agent, or Firm* — Reising Ethington PC

Feb. 27, 2014 (CN) 2014 3 0036598

(51) **LOC (10) Cl.** **31-00**

(57) **CLAIM**

The ornamental design for a beverage maker, as shown.

(52) **U.S. Cl.**

USPC **D7/378**; D7/376; D7/384

(58) **Field of Classification Search**

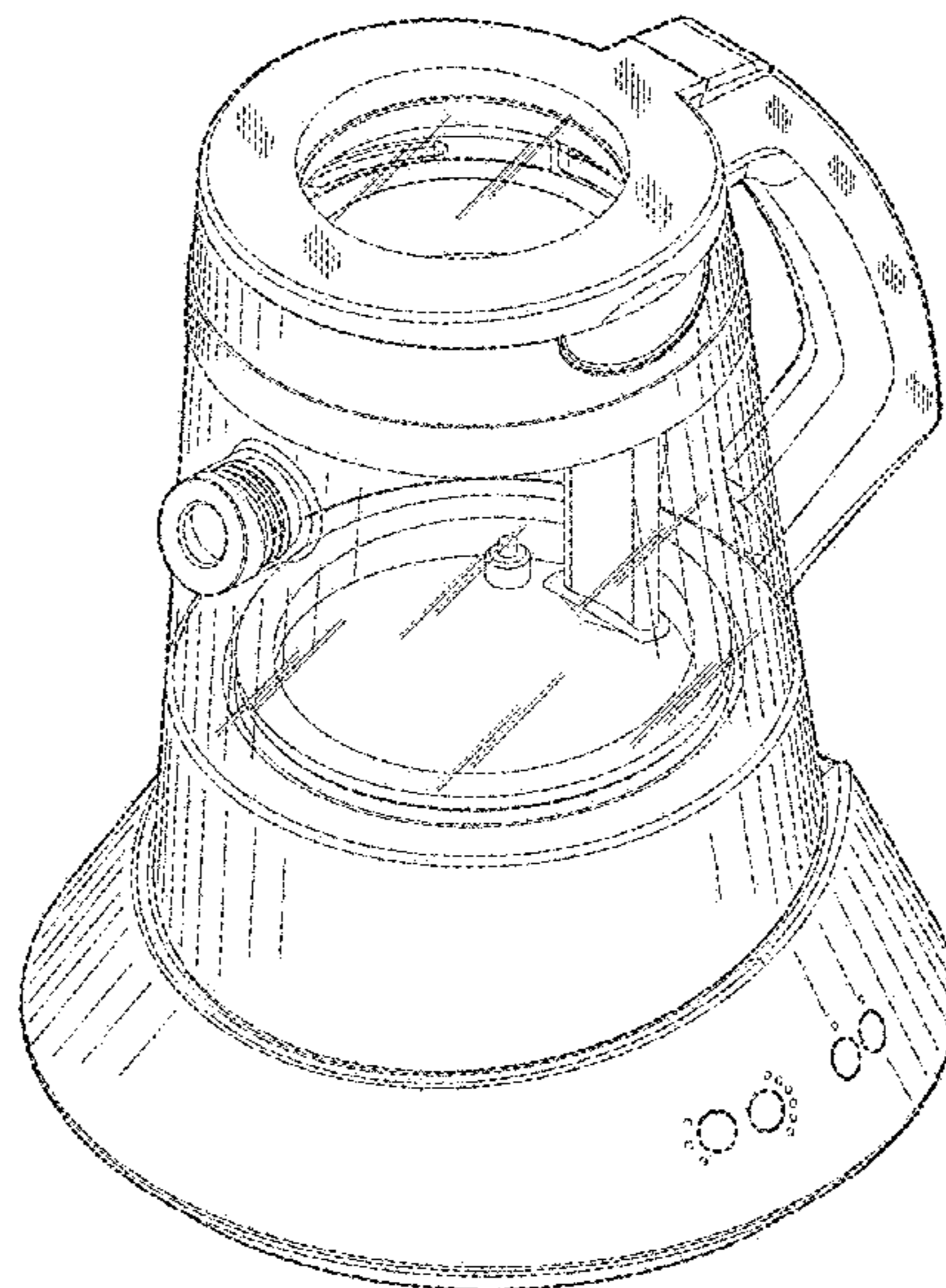
DESCRIPTION

USPC D7/305, 309, 319, 372, 376–386, D7/412–413, 602, 629, 665–666, 669, 679, D7/693–694; D23/207
CPC A01K 5/0114; A21C 1/02; A21C 1/04; A23N 1/00; A23N 1/02; A47J 43/04; A47J 43/25; A47J 43/27; A47J 43/042; A47J 43/044; A47J 43/046; A47J 43/075; A47J 43/0722; A47J 43/0727; B01F 3/00; B01F 3/0807; B01F 3/0853; B01F 13/0059; B01F 13/0064; B02C 1/08; B02C 2/04; B02C 4/42; B02C 4/142; B02C 4/143; B02C 4/423; B02C 13/1835; B28C 5/10; B28C 5/12; B28C 5/14; B28C 5/16; C02F 1/003

FIG. 1 is a front view of a beverage maker;
FIG. 2 is a right side view of the beverage maker;
FIG. 3 is a left side view of the beverage maker;
FIG. 4 is rear view of the beverage maker;
FIG. 5 is a top view of the beverage maker;
FIG. 6 is a bottom view of the beverage maker;
FIG. 7 is a perspective view of the beverage maker;
FIG. 8 is another perspective view of the beverage maker;
FIG. 9 is yet another perspective view of the beverage maker;
and,
FIG. 10 is yet another perspective view of the beverage maker.

See application file for complete search history.

1 Claim, 10 Drawing Sheets



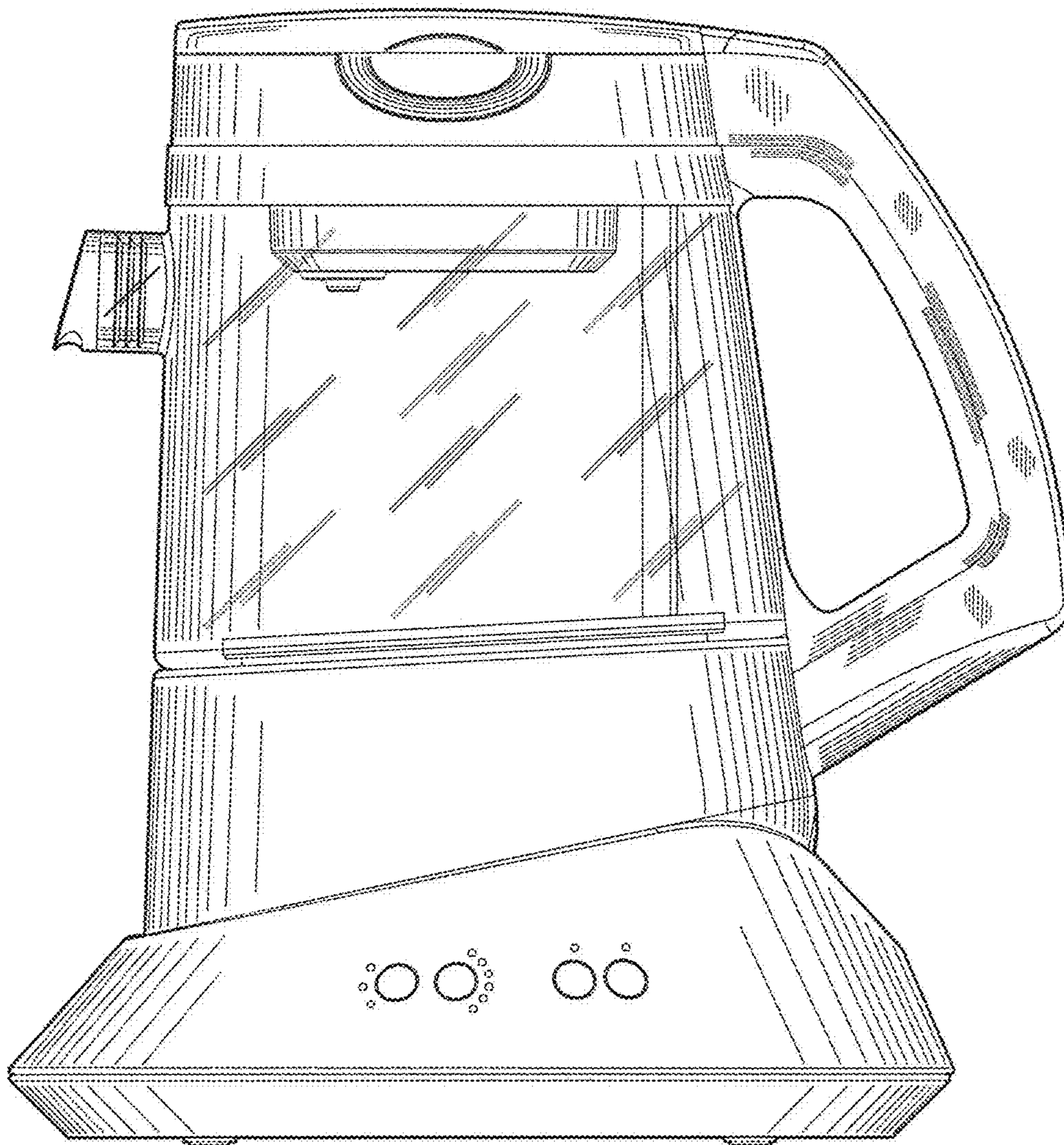


Fig. 1

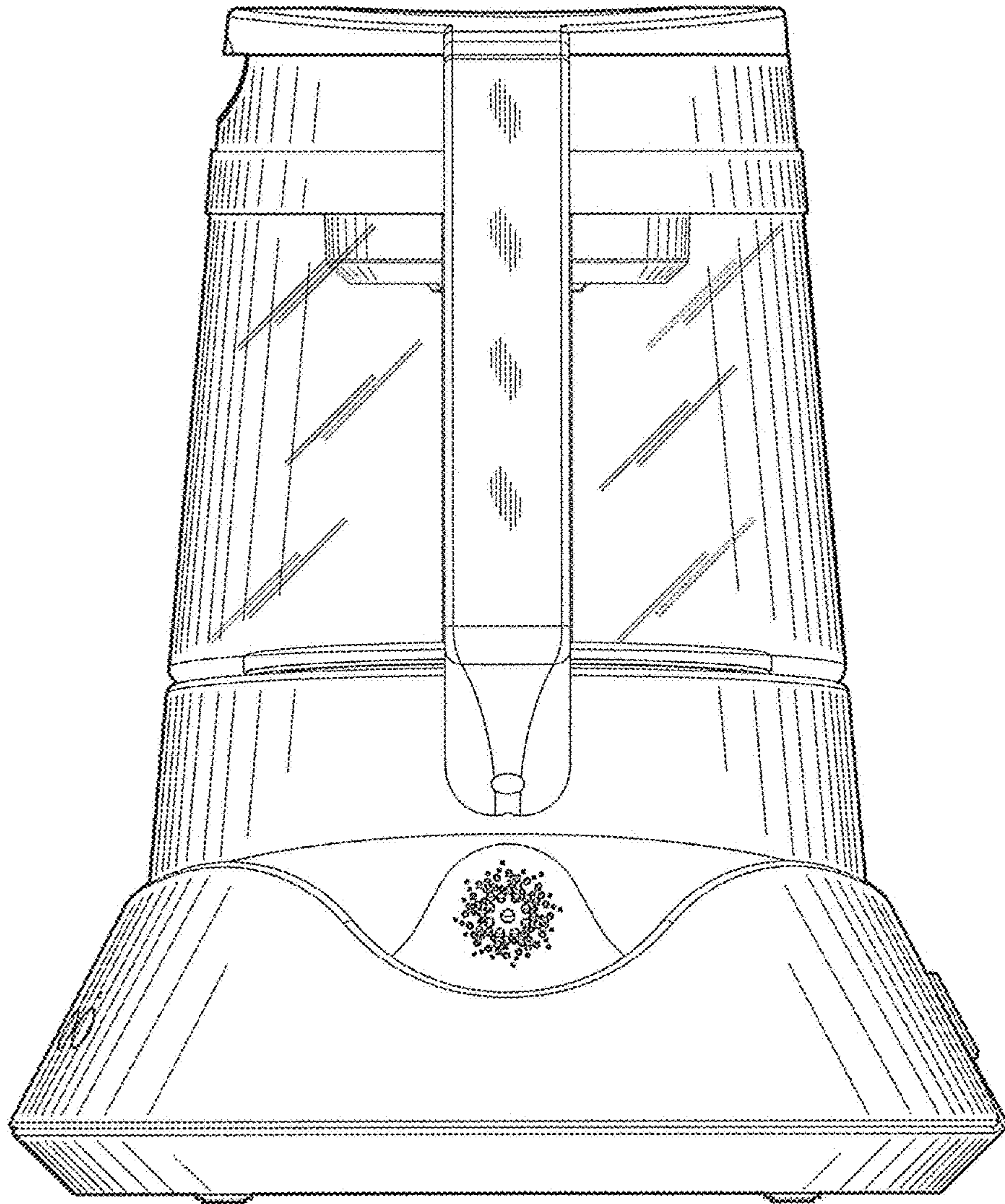


Fig. 2

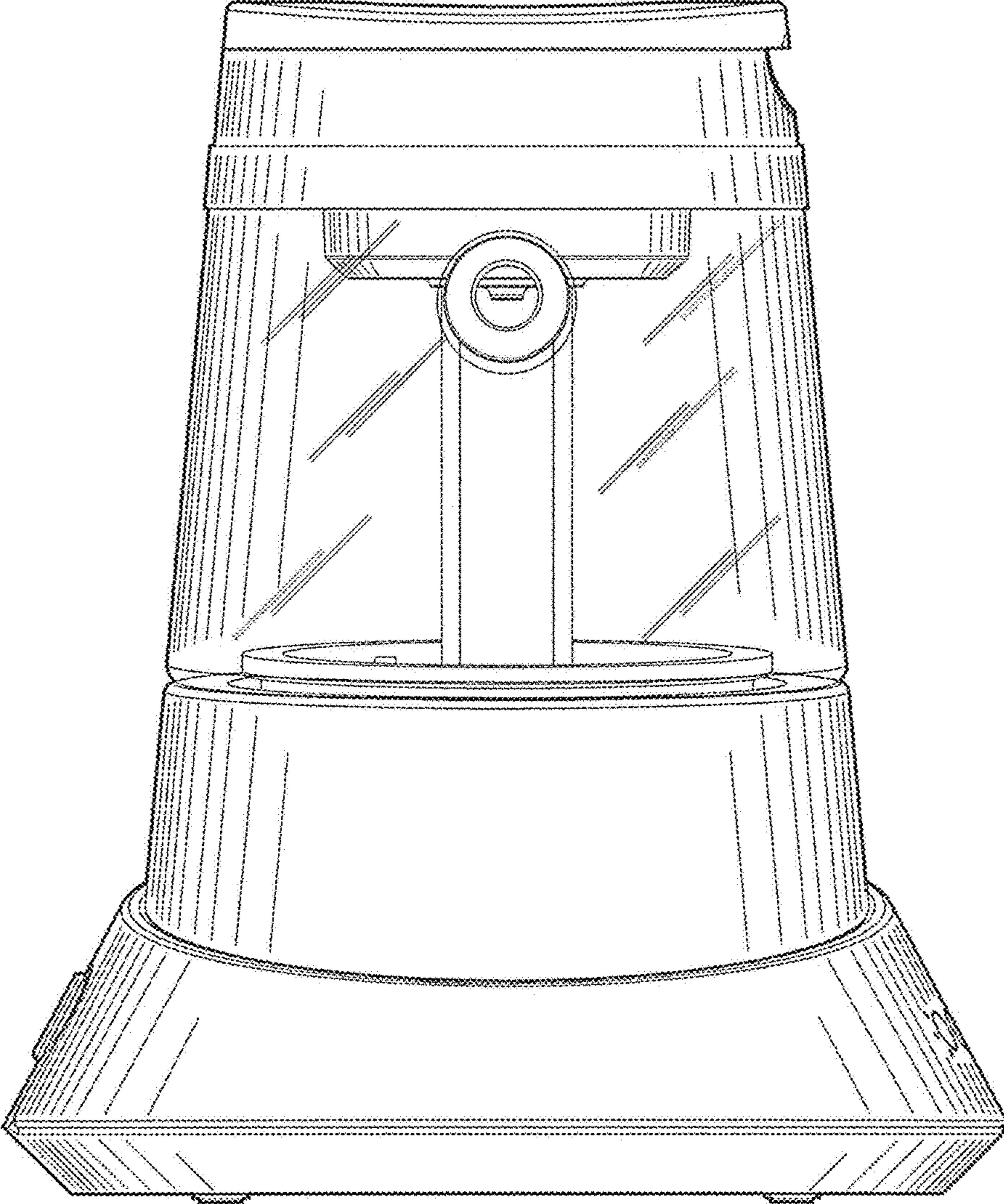


Fig. 3

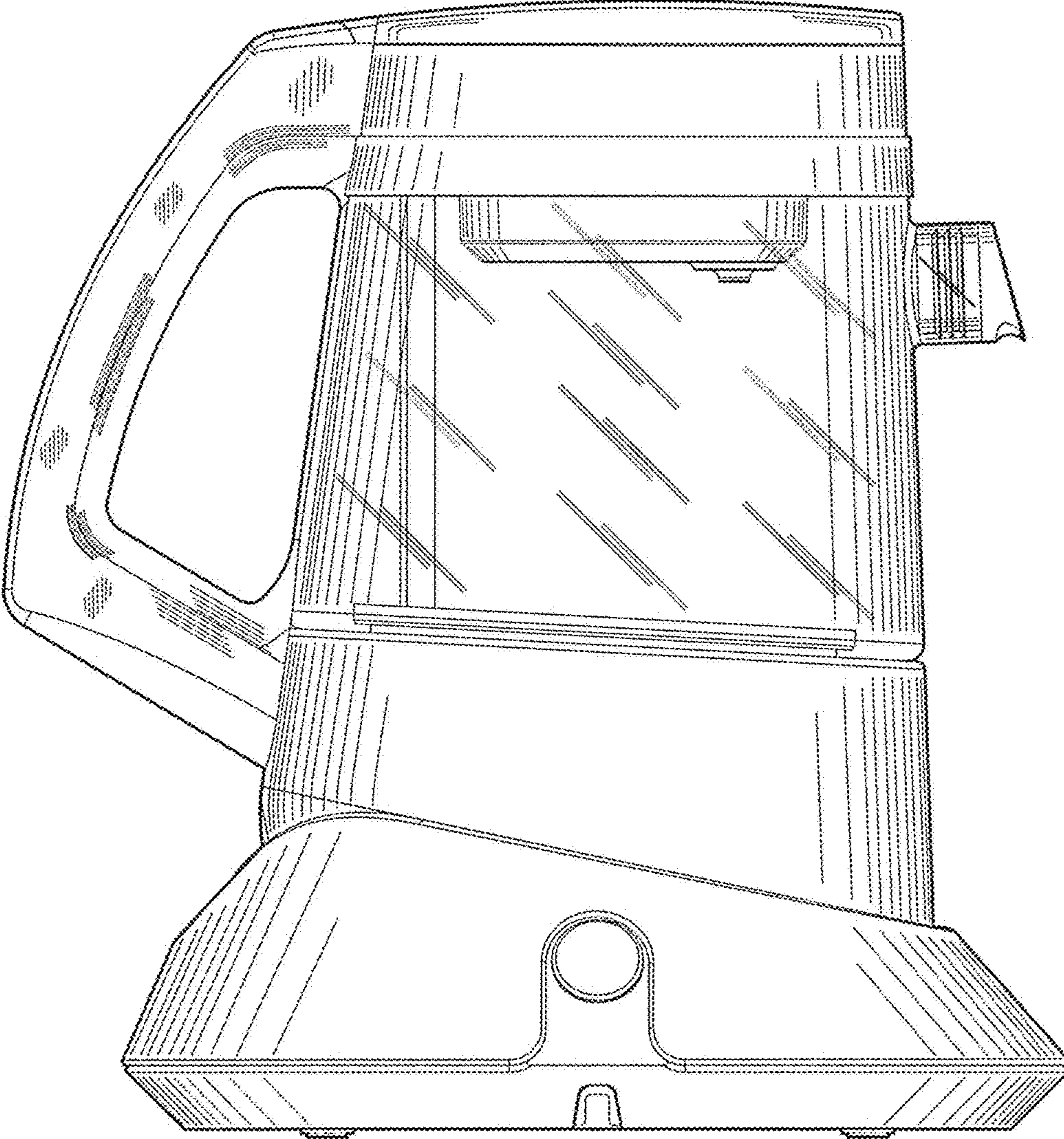


Fig. 4

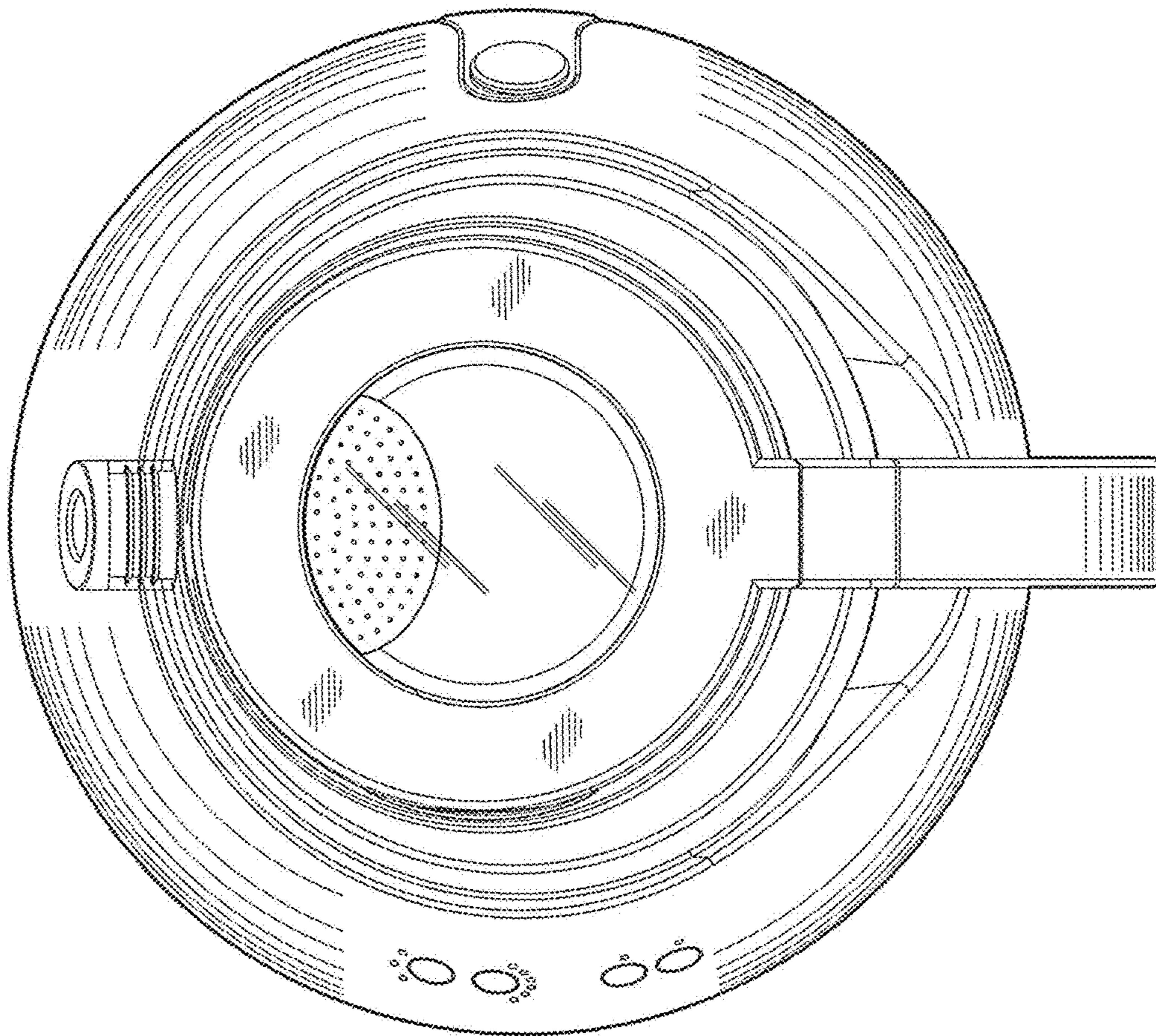


Fig. 5

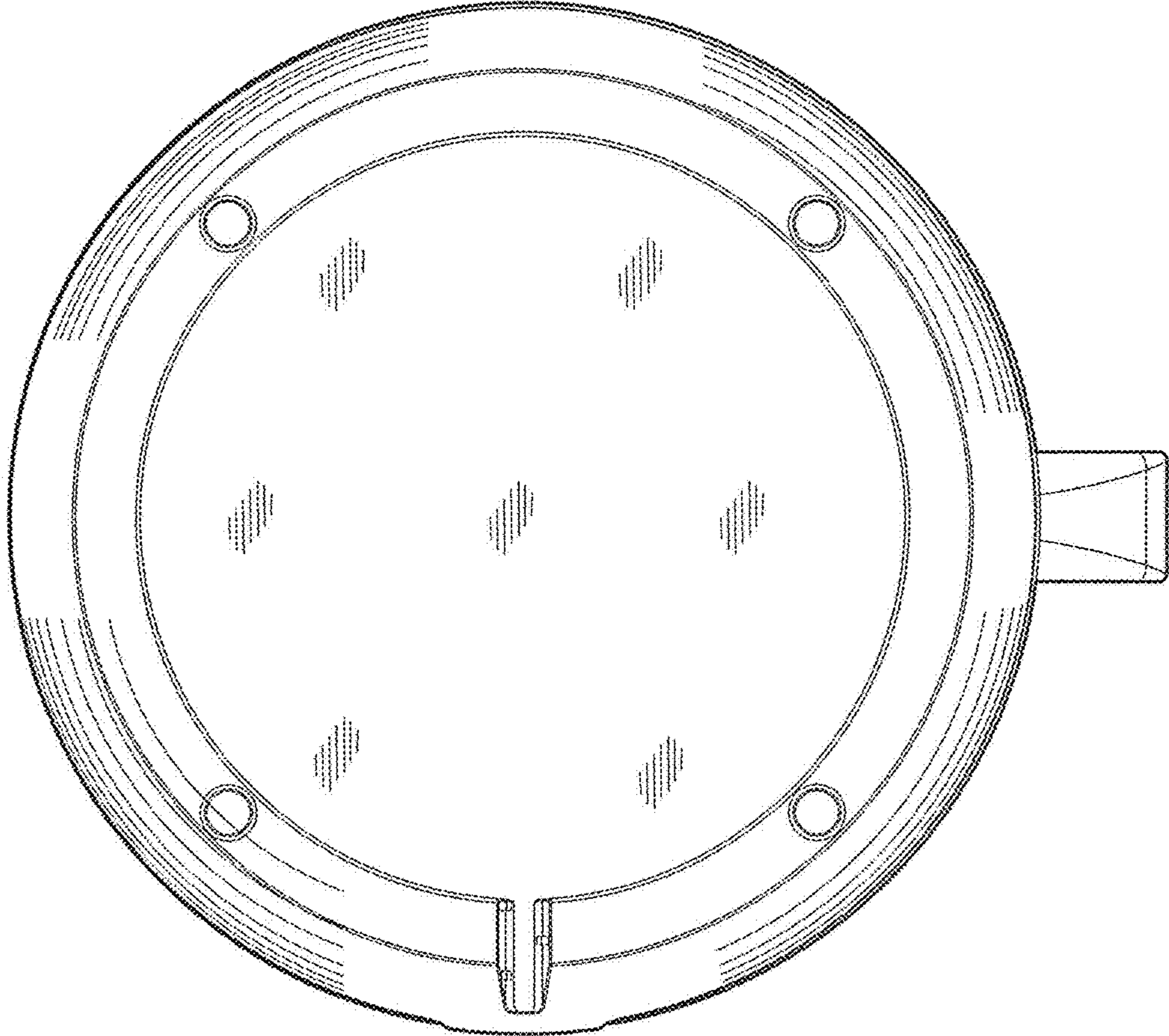


Fig. 6

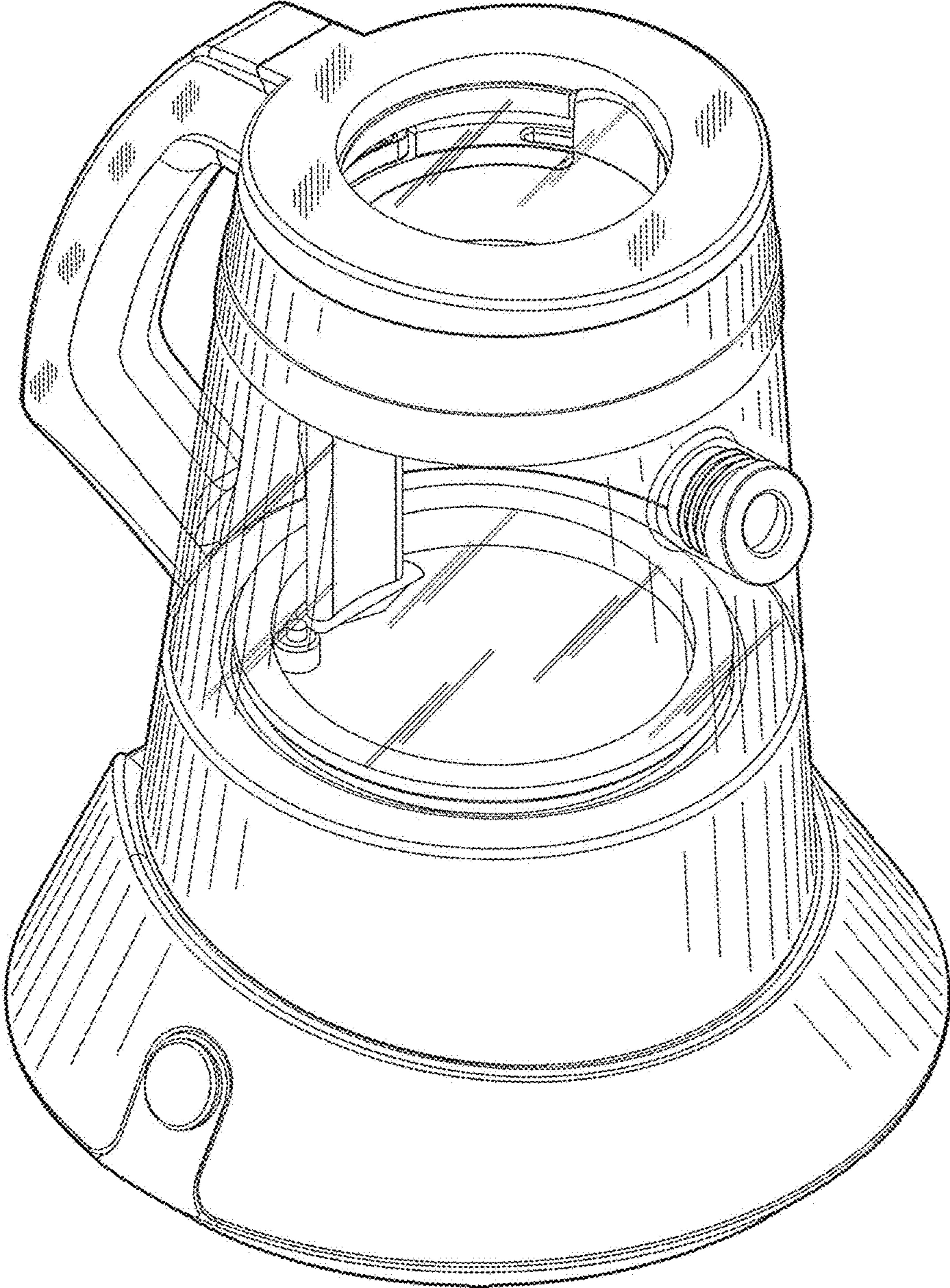


Fig. 7

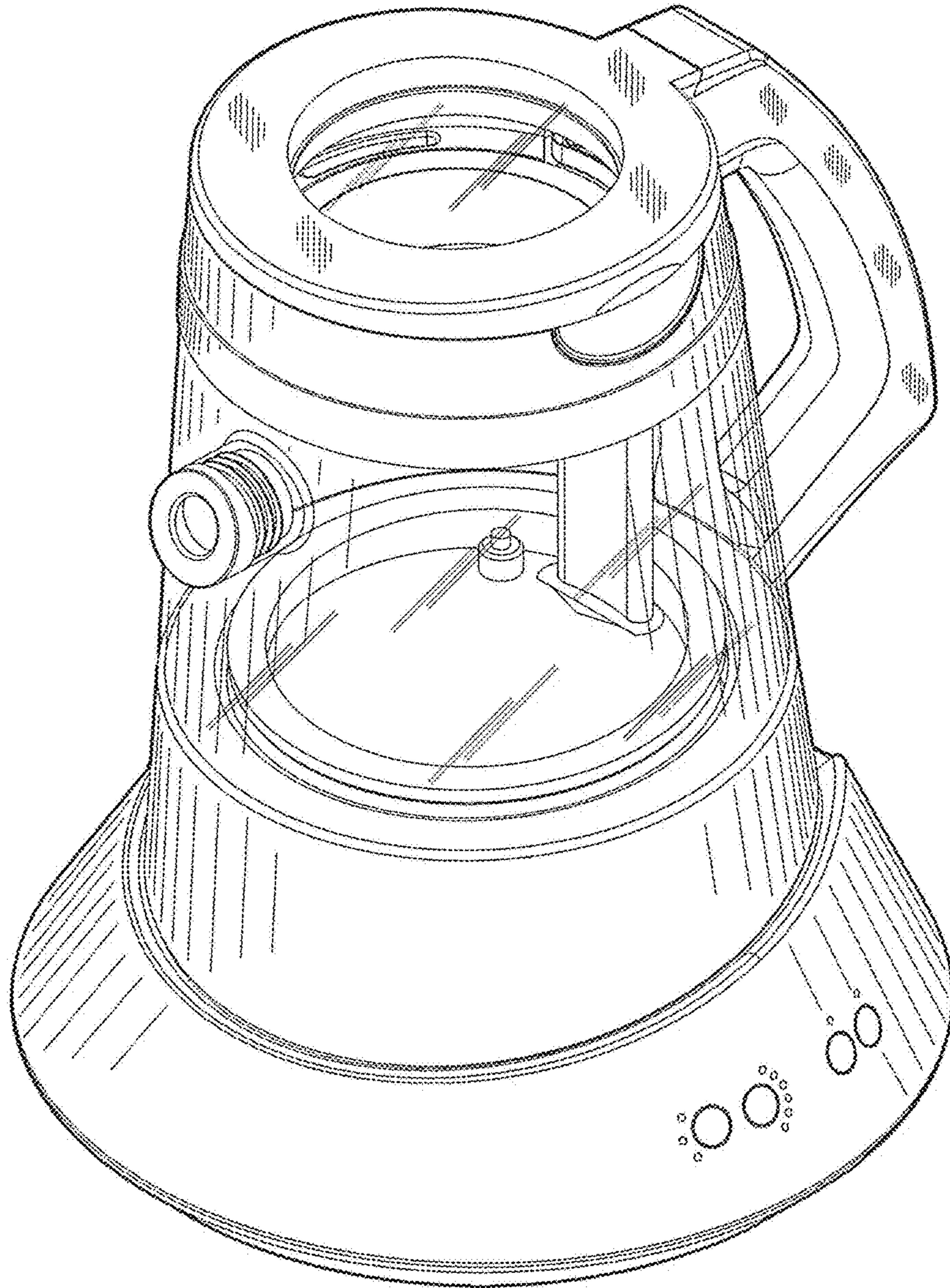


Fig. 8

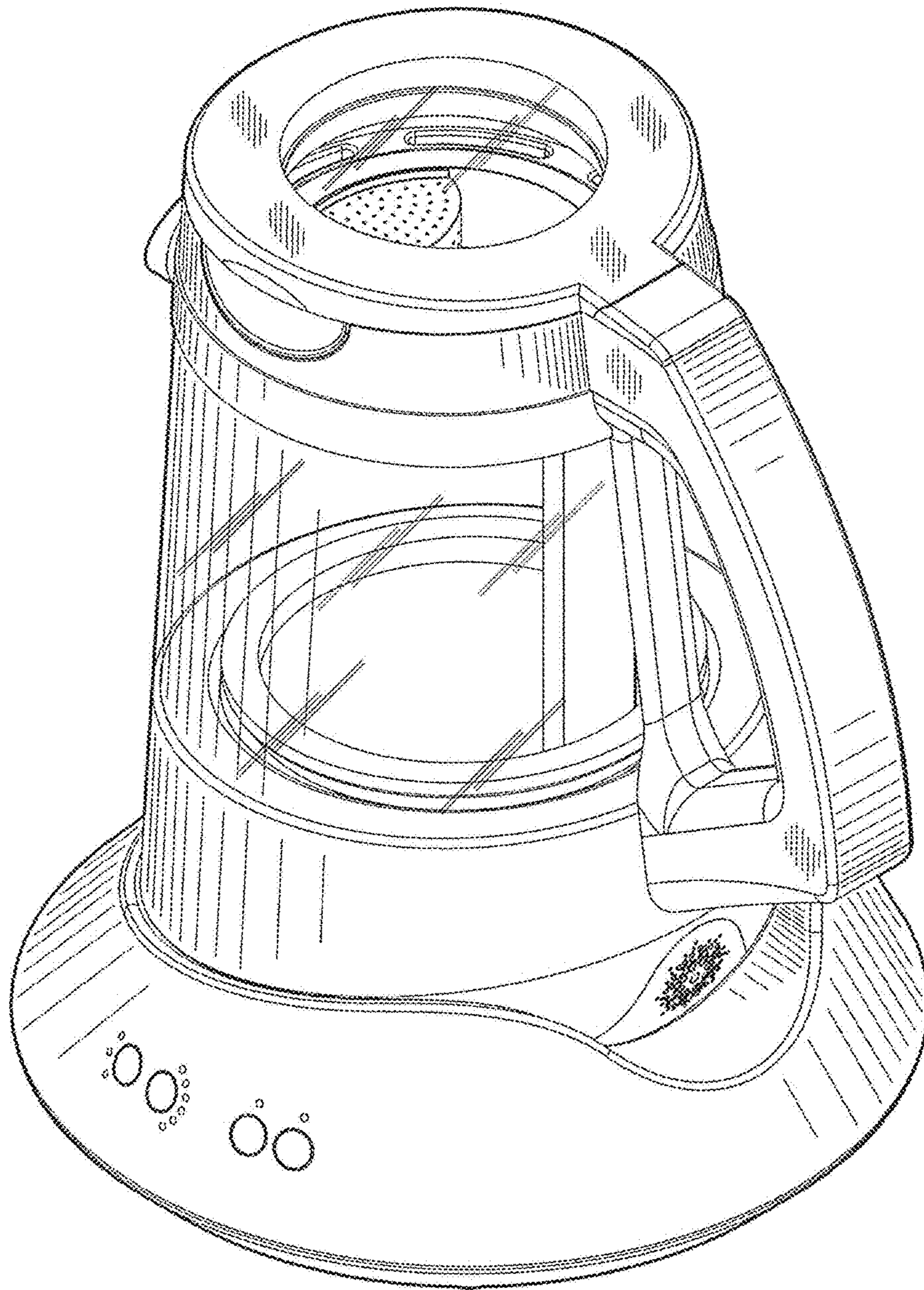


Fig. 9

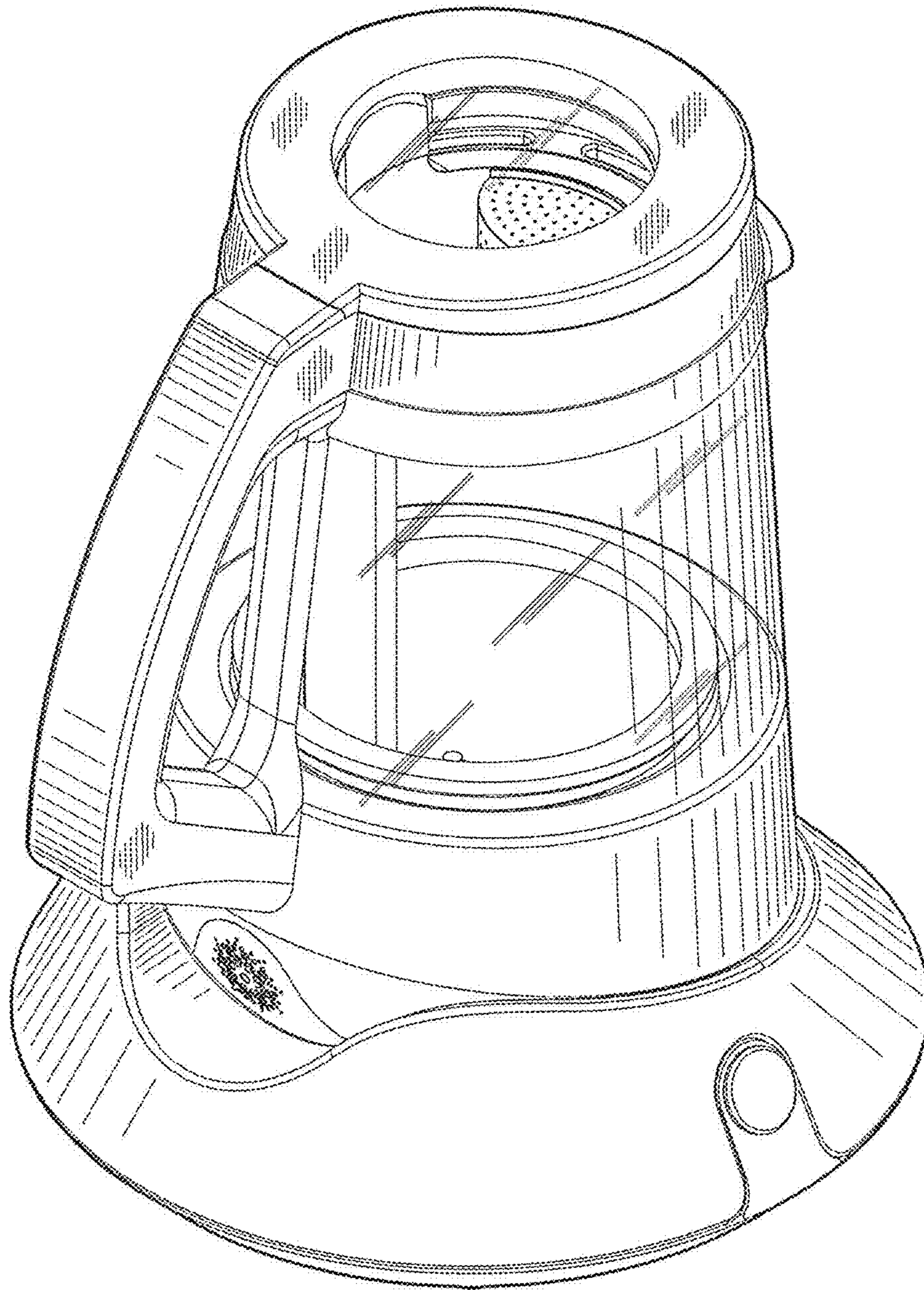


Fig. 10