



US00D748425S

(12) **United States Design Patent**  
**Lee et al.**

(10) **Patent No.:** **US D748,425 S**  
(45) **Date of Patent:** **\*\* Feb. 2, 2016**

(54) **AIR FRYER FOR OVEN**

(71) Applicant: **Samsung Electronics Co., Ltd.**,  
Suwon-si (KR)

(72) Inventors: **Soo-Jung Lee**, Kimpo-Si (KR);  
**Hong-Pyo Kim**, Seoul (KR); **Chi-Young**  
**Ahn**, Seoul (KR); **Alex Rochat**, Seoul  
(KR)

(73) Assignee: **Samsung Electronics Co., Ltd.**,  
Suwon-si (KR)

(\*\*) Term: **14 Years**

(21) Appl. No.: **29/496,444**

(22) Filed: **Jul. 14, 2014**

(30) **Foreign Application Priority Data**

Jan. 15, 2014 (KR) ..... 30-2014-0002412

(51) **LOC (10) Cl.** ..... **07-02**

(52) **U.S. Cl.**  
USPC ..... **D7/357; D7/354**

(58) **Field of Classification Search**  
USPC ..... D6/518; D7/323, 354–363, 391,  
D7/393–396, 409, 502, 610, 629; D9/425  
CPC ..... A47G 19/12; A47J 27/00; A47J 27/002;  
A47J 27/08; A47J 27/21; A47J 27/58; A47J  
36/025; A47J 36/06; A47J 36/12; A47J 37/00;  
A47J 37/10; A47J 37/101; A47J 37/103;  
A47J 37/12; A47J 37/1204; A47J 45/061;  
A47J 45/071; A47J 45/08; H05B 6/12

See application file for complete search history.

(56) **References Cited**

U.S. PATENT DOCUMENTS

D250,448 S *	12/1978	Boldt	.....	D7/360
D261,594 S *	11/1981	Boldt	.....	D7/360
D339,713 S *	9/1993	Gueringer	.....	D7/354
D346,305 S *	4/1994	Breeka	.....	D7/323
D389,379 S *	1/1998	Samuels	.....	D7/610
D423,864 S *	5/2000	Chang	.....	D7/323
D469,288 S *	1/2003	Wray	.....	D6/518
D529,345 S *	10/2006	Kim	.....	D7/610

\* cited by examiner

*Primary Examiner* — Ricky Pham

(74) *Attorney, Agent, or Firm* — NSIP Law

(57) **CLAIM**

We claim the ornamental design for an air fryer for oven, as shown and described.

**DESCRIPTION**

FIG. 1 is a front perspective view of an air fryer for oven showing our new design;

FIG. 2 is a front view thereof;

FIG. 3 is a rear view thereof;

FIG. 4 is a left-side view thereof;

FIG. 5 is a right-side view thereof;

FIG. 6 is a top view thereof;

FIG. 7 is a bottom view thereof;

FIG. 8 is another front view of FIG. 2, in which the air fryer for oven is provided in an alternate position; and,

FIG. 9 is an exploded perspective view of FIG. 1.

The broken lines in the figures show portions of the air fryer for oven which form no part of the claimed design.

**1 Claim, 6 Drawing Sheets**

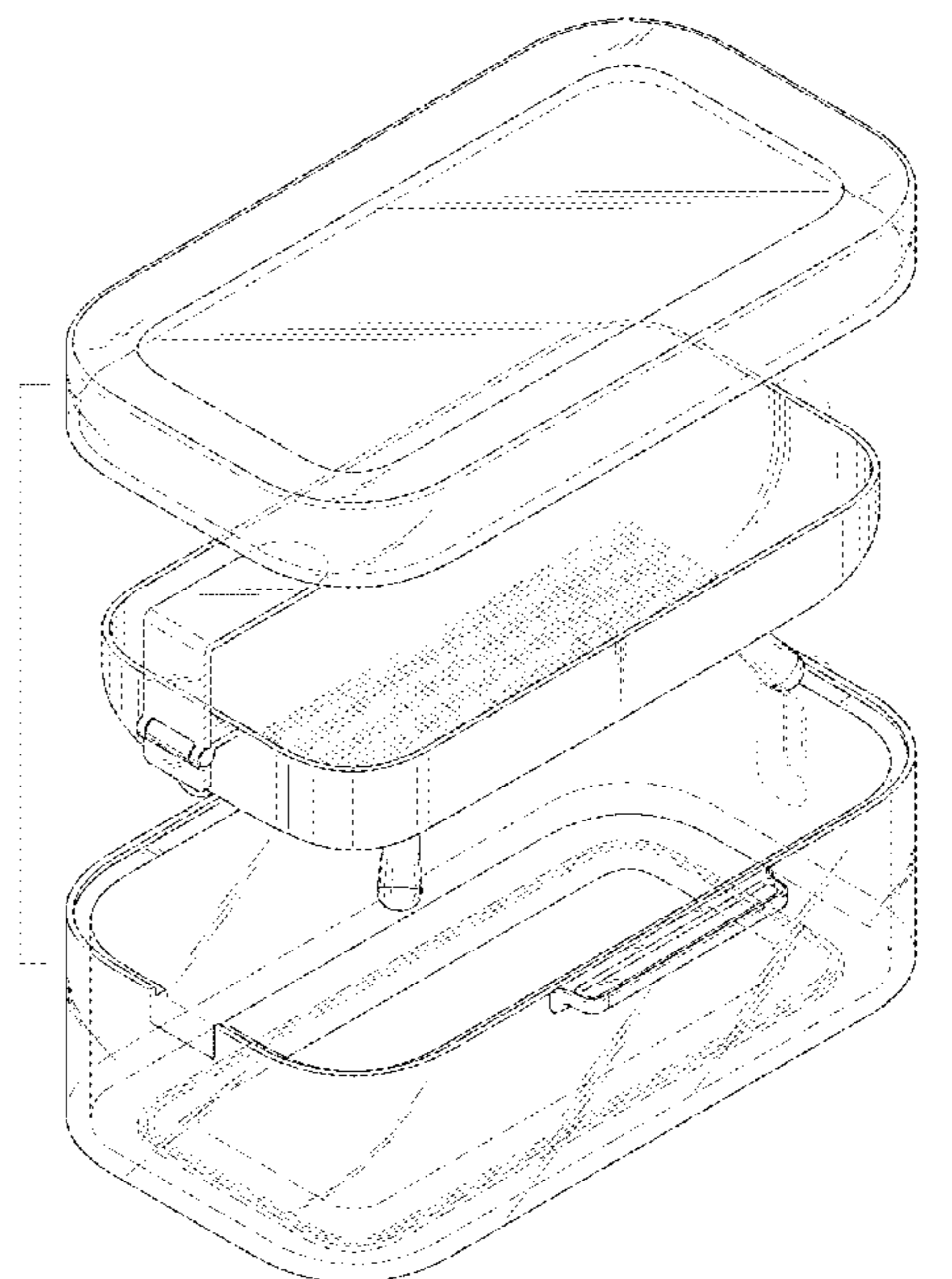
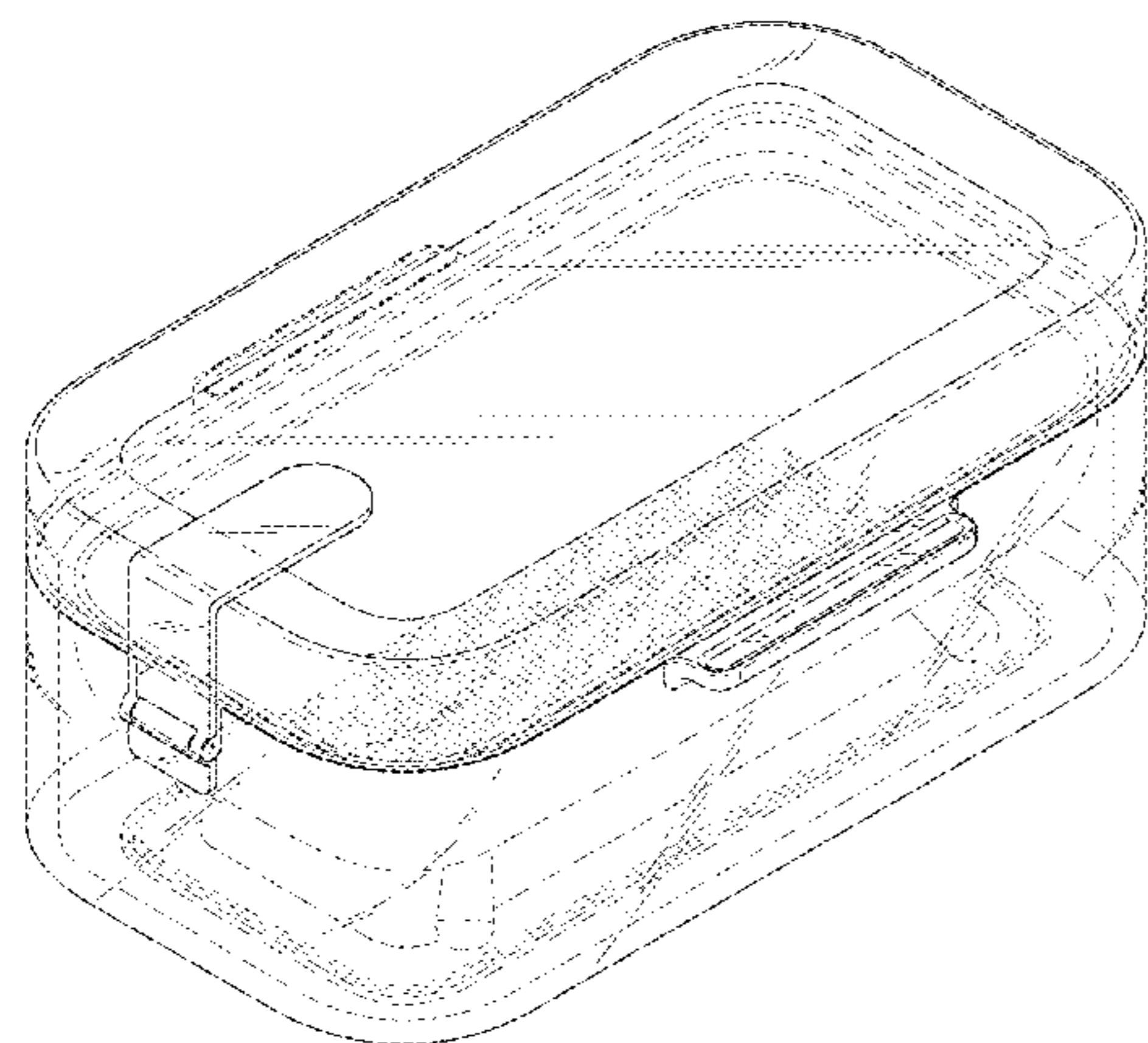


FIG. 1

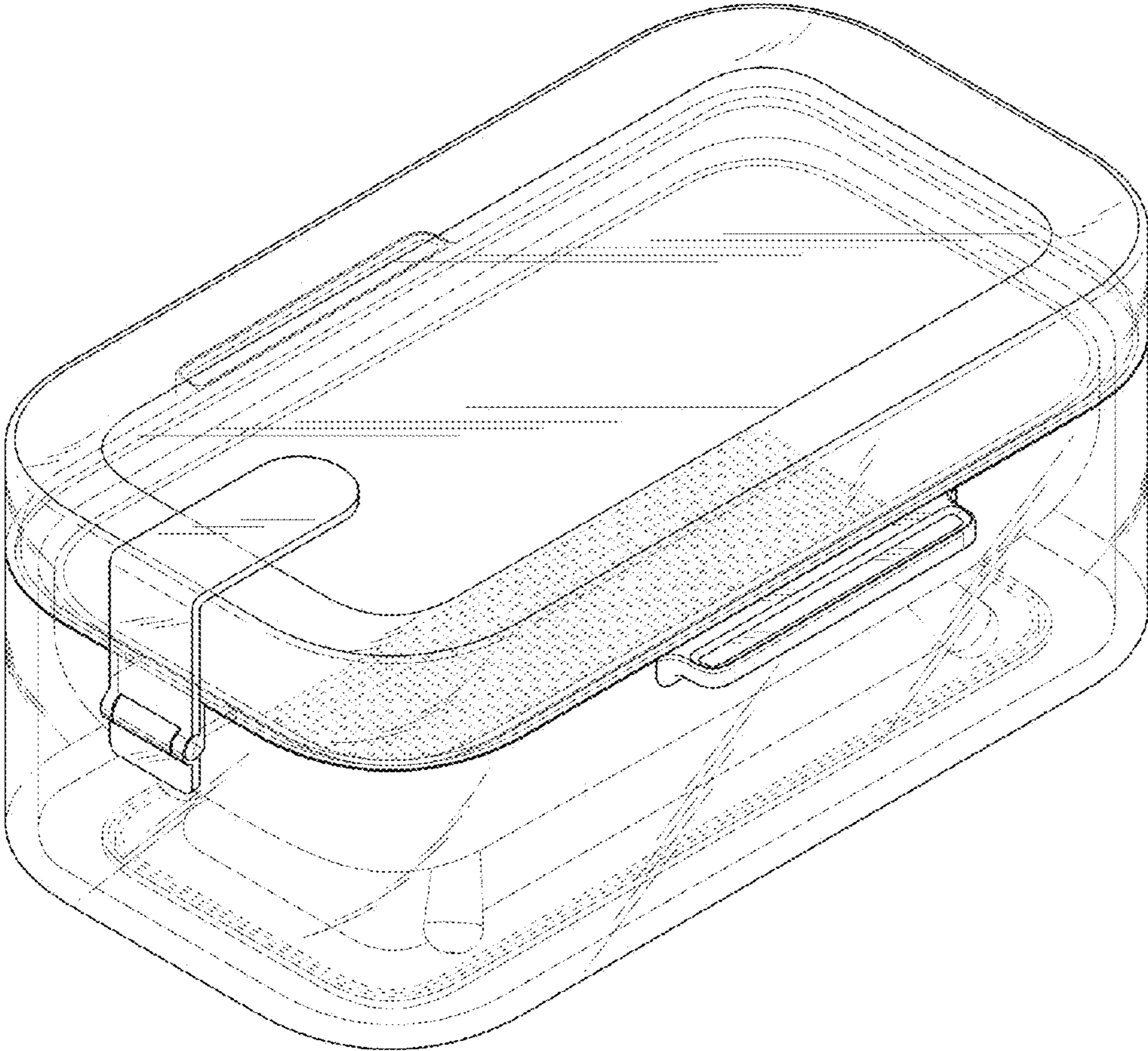


FIG. 2

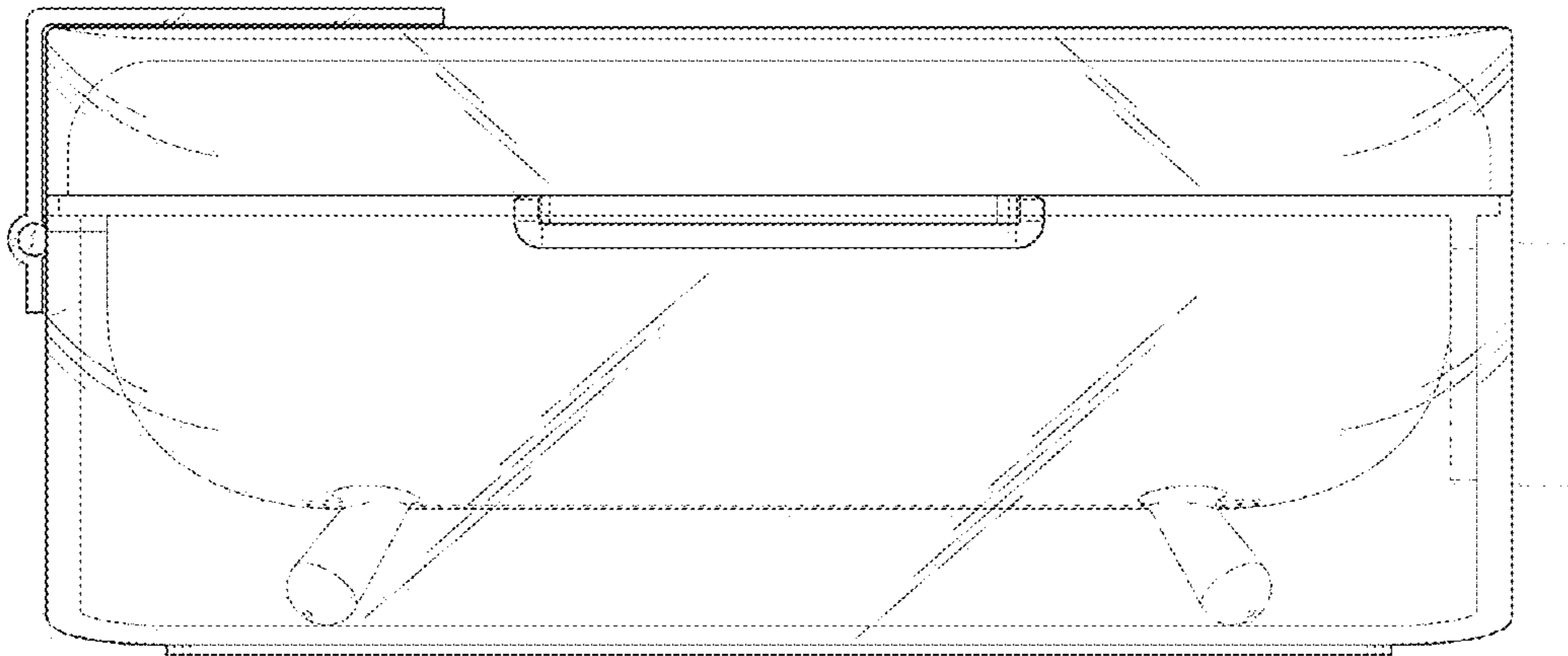


FIG. 3

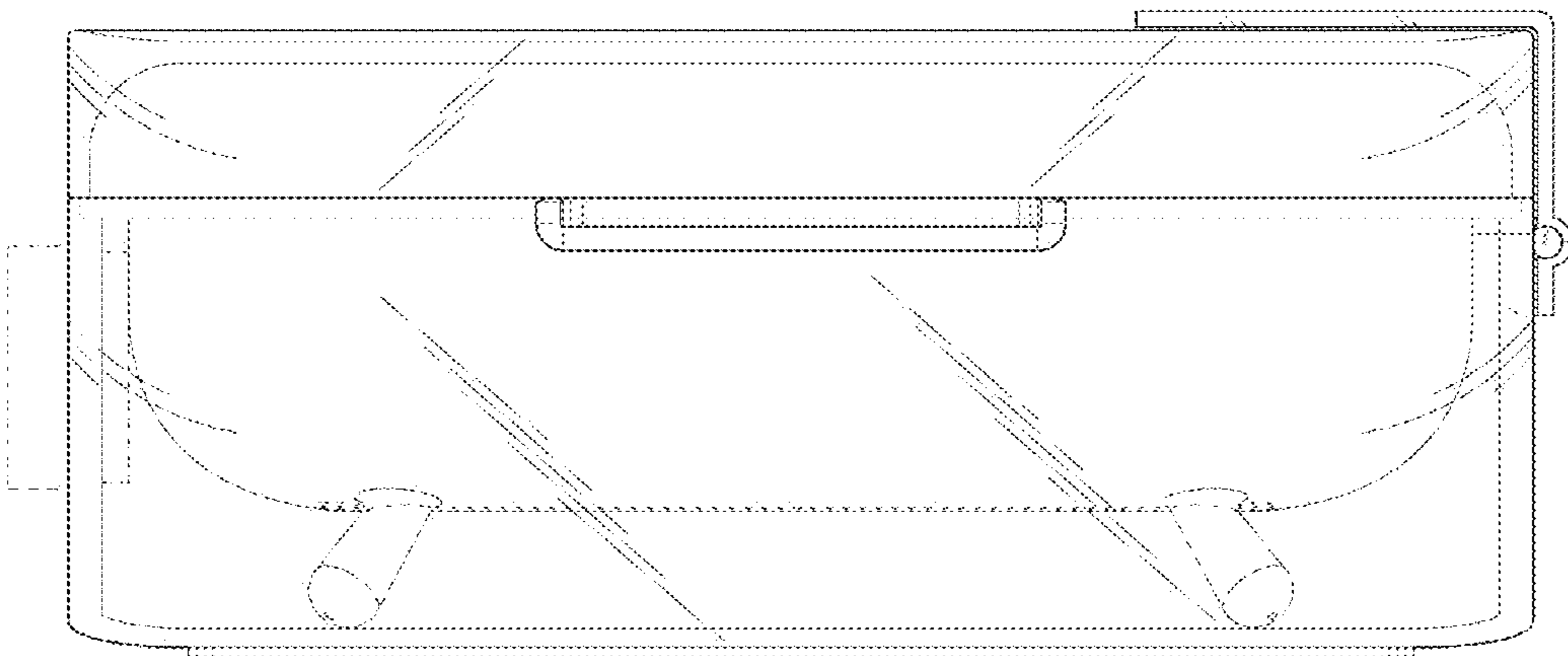


FIG. 4

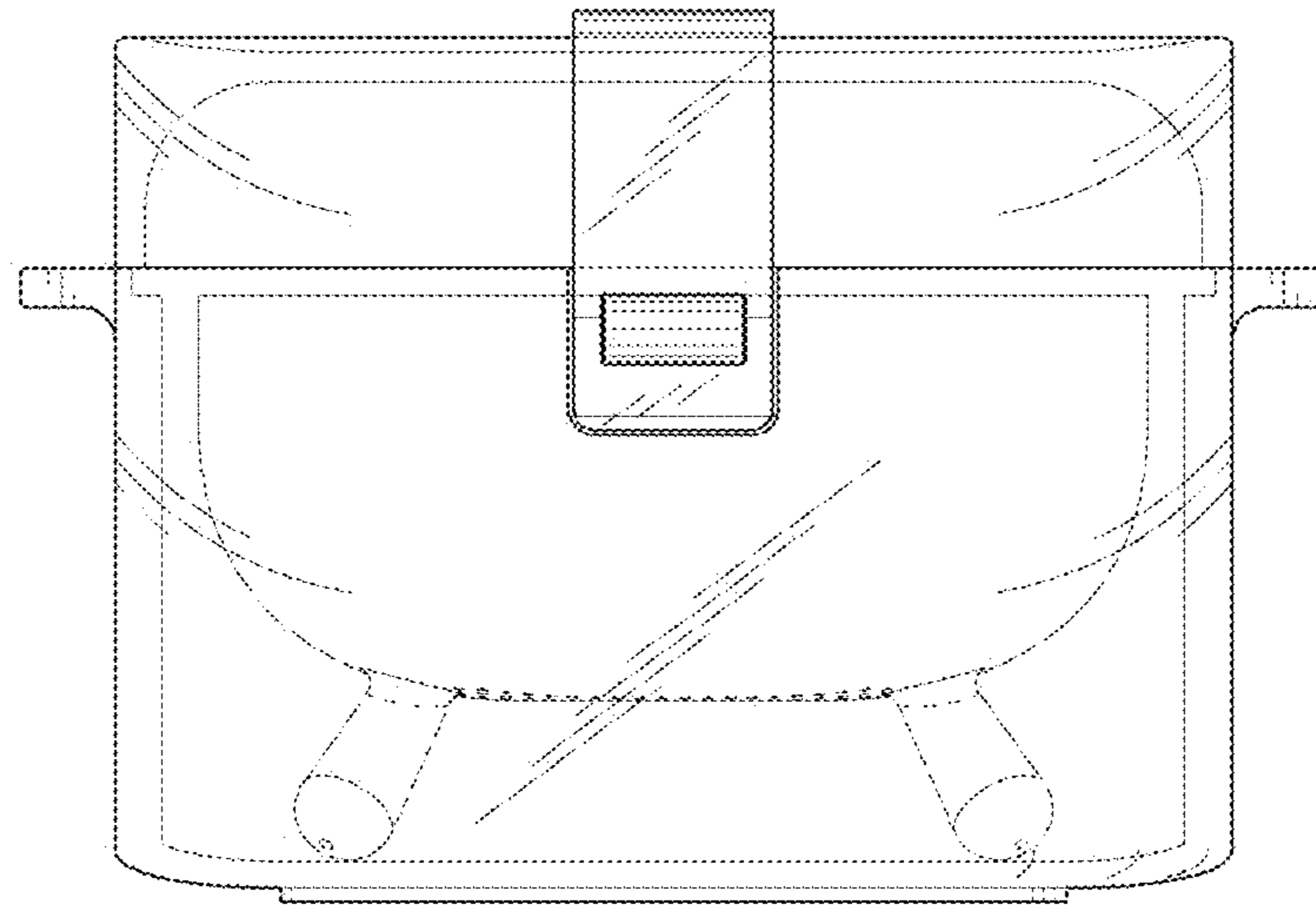


FIG. 5

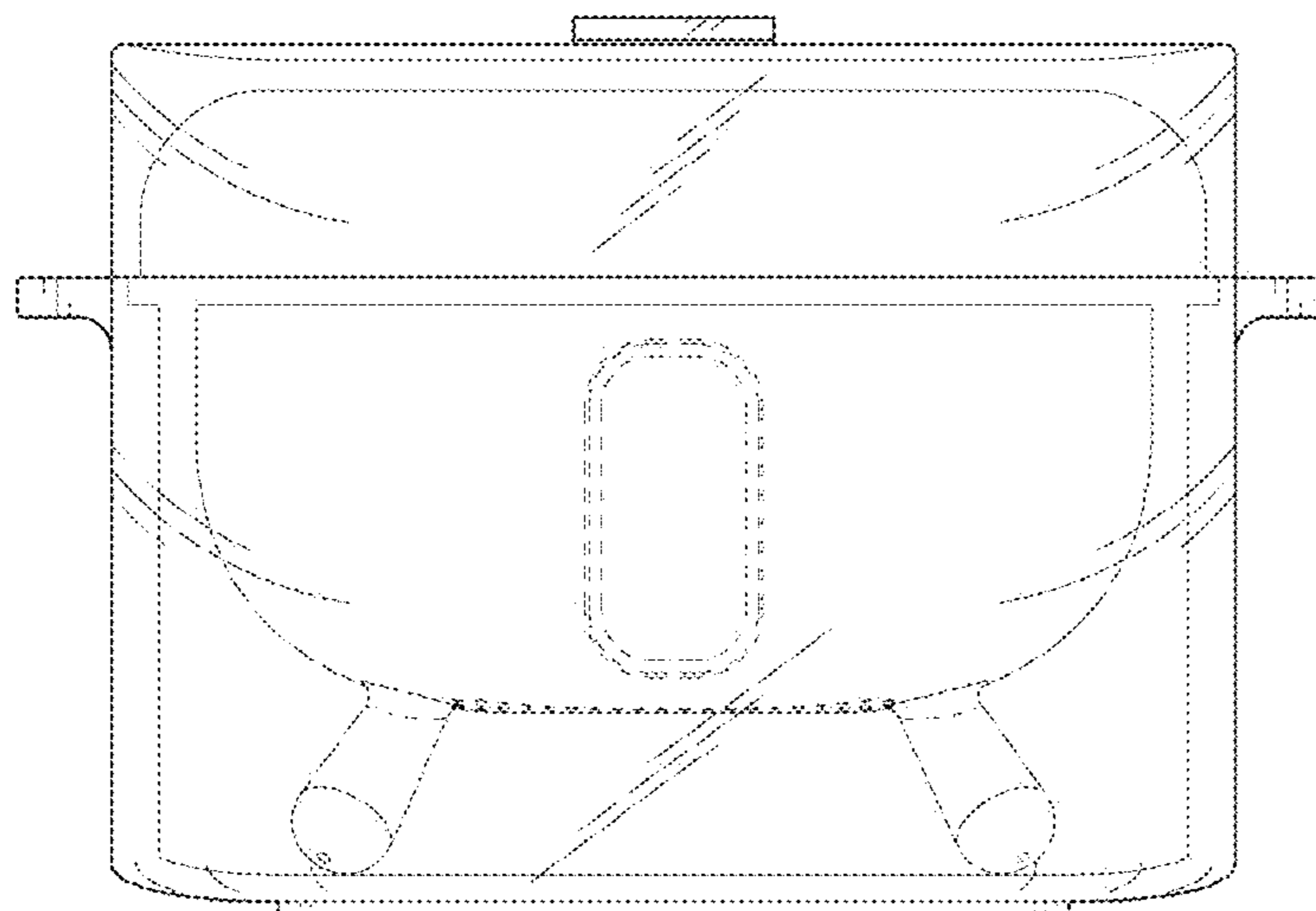


FIG. 6

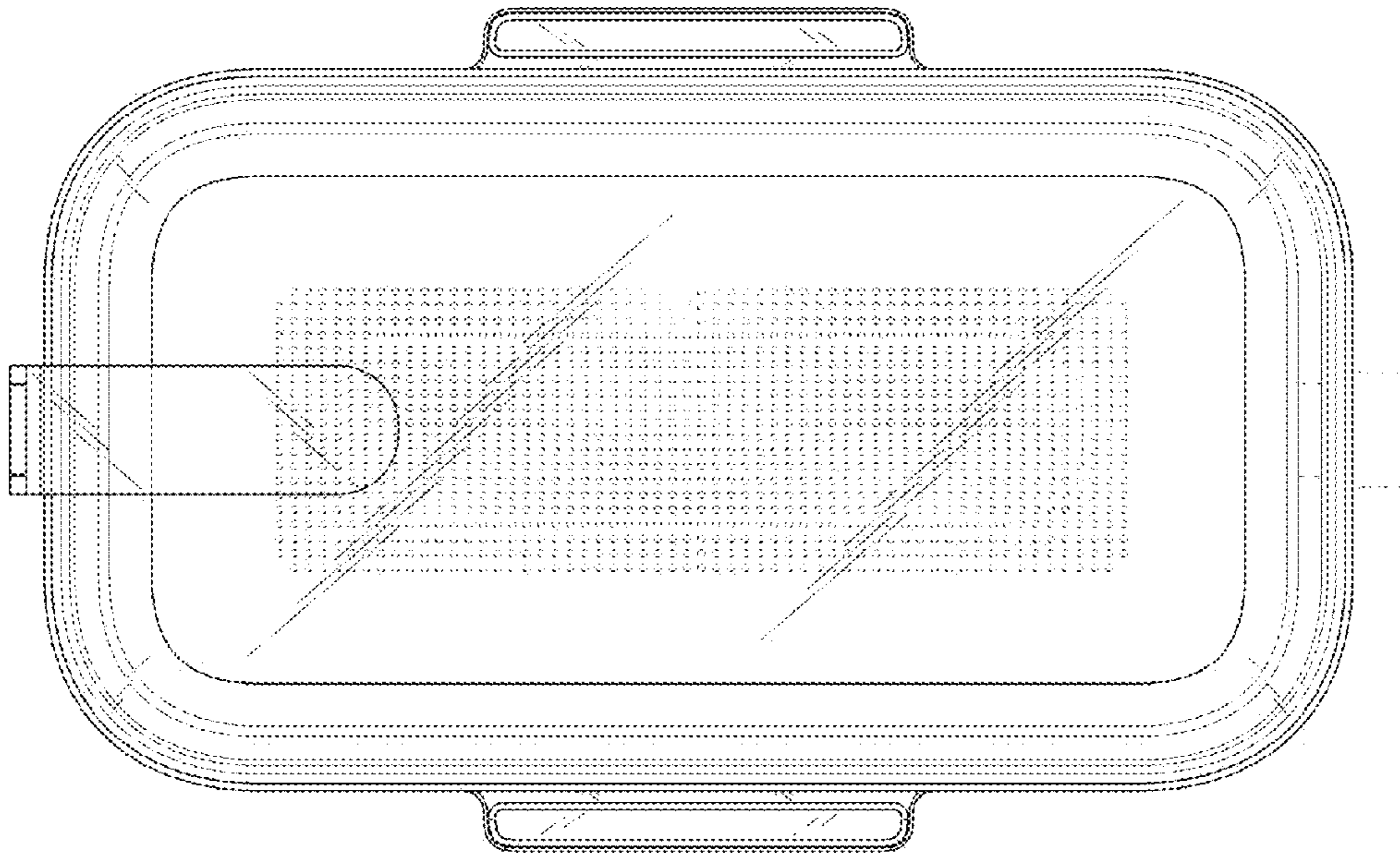


FIG. 7

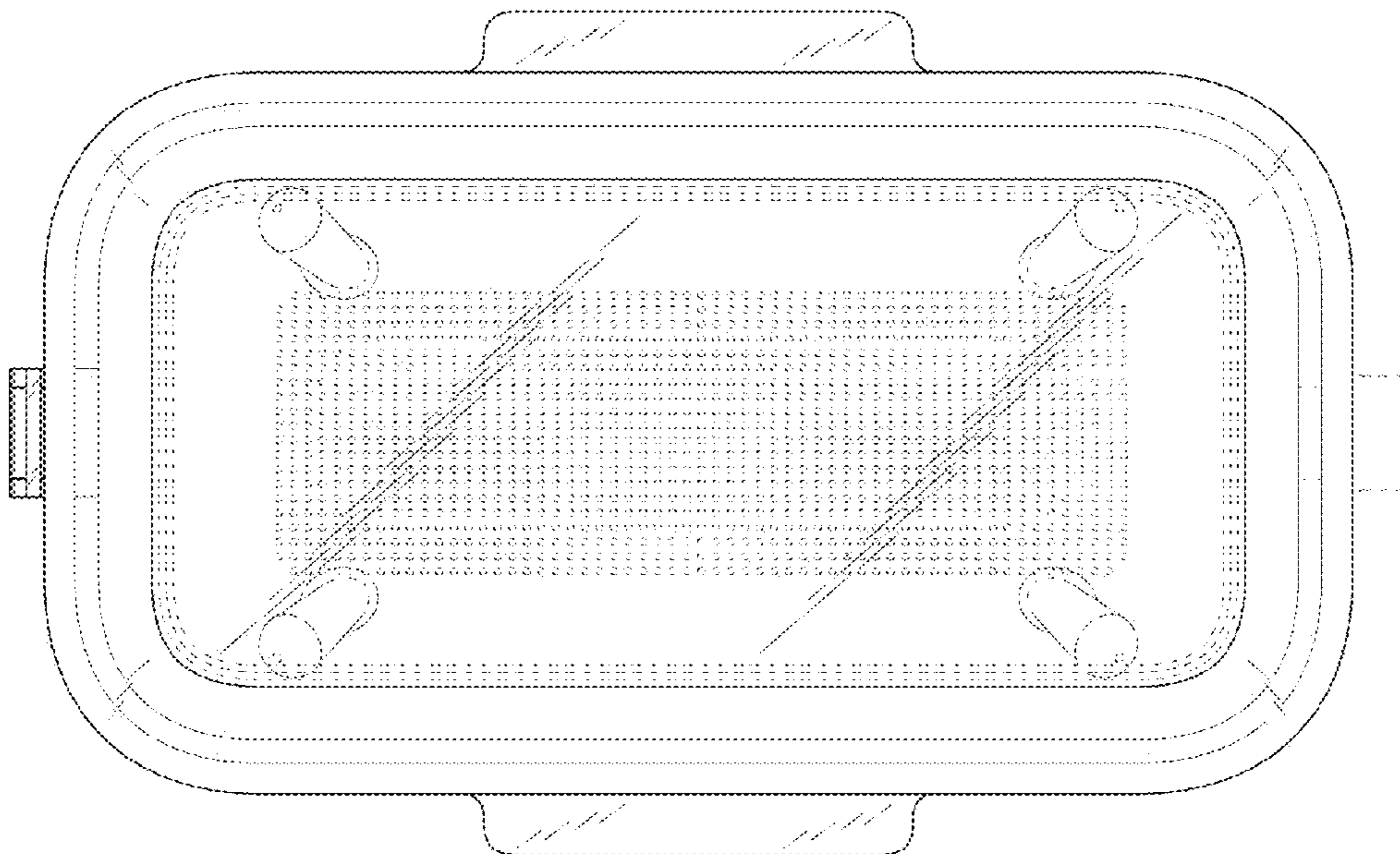


FIG. 8

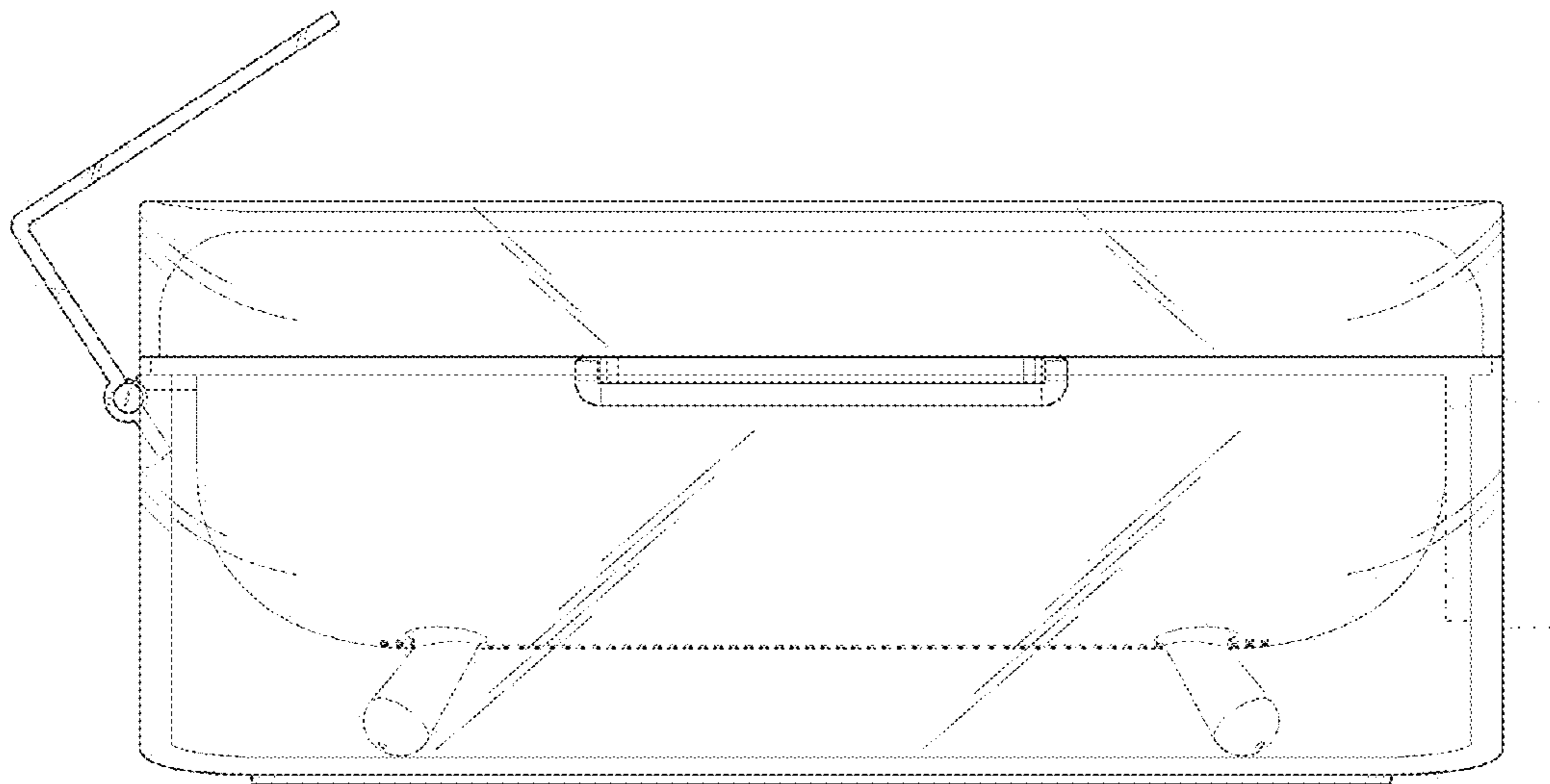


FIG. 9

