



US00D748422S

(12) **United States Design Patent**
Paz

(10) **Patent No.:** **US D748,422 S**
(45) **Date of Patent:** **** Feb. 2, 2016**

(54) **BENCH**

(71) Applicant: **LANDSCAPE FORMS, INC.**,
Kalamazoo, MI (US)

(72) Inventor: **Francisco Gomez Paz**, Milan (IT)

(73) Assignee: **LANDSCAPE FORMS, INC.**,
Kalamazoo, MI (US)

(**) Term: **14 Years**

(21) Appl. No.: **29/519,368**

(22) Filed: **Mar. 4, 2015**

(51) **LOC (10) Cl.** **06-01**

(52) **U.S. Cl.**
USPC **D6/717**

(58) **Field of Classification Search**
USPC D6/334-336, 349, 355, 370, 371, 373,
D6/376, 379, 381, 709.22, 716, 716.1,
D6/716.2, 716.3
CPC A47C 4/03; A47C 4/025; A47C 7/16;
A47C 7/285; A47C 7/54; A47C 11/00
See application file for complete search history.

(56) **References Cited**

U.S. PATENT DOCUMENTS

D145,541 S * 9/1946 Sky D6/355
D512,229 S * 12/2005 Reza-Hadden D6/349
D525,809 S * 8/2006 Hughes D6/717
D562,035 S * 2/2008 Pappas D6/355

D590,610 S * 4/2009 Pappas D6/370
D602,271 S * 10/2009 Schwartz D6/355
D644,446 S * 9/2011 Schwartz D6/349
D713,190 S * 9/2014 Behar D6/709.22

FOREIGN PATENT DOCUMENTS

KR 30-0687626 † 4/2013

* cited by examiner

† cited by third party

Primary Examiner — Mimoso De

(74) *Attorney, Agent, or Firm* — Heslin Rothenberg Farley
& Mesiti P.C.

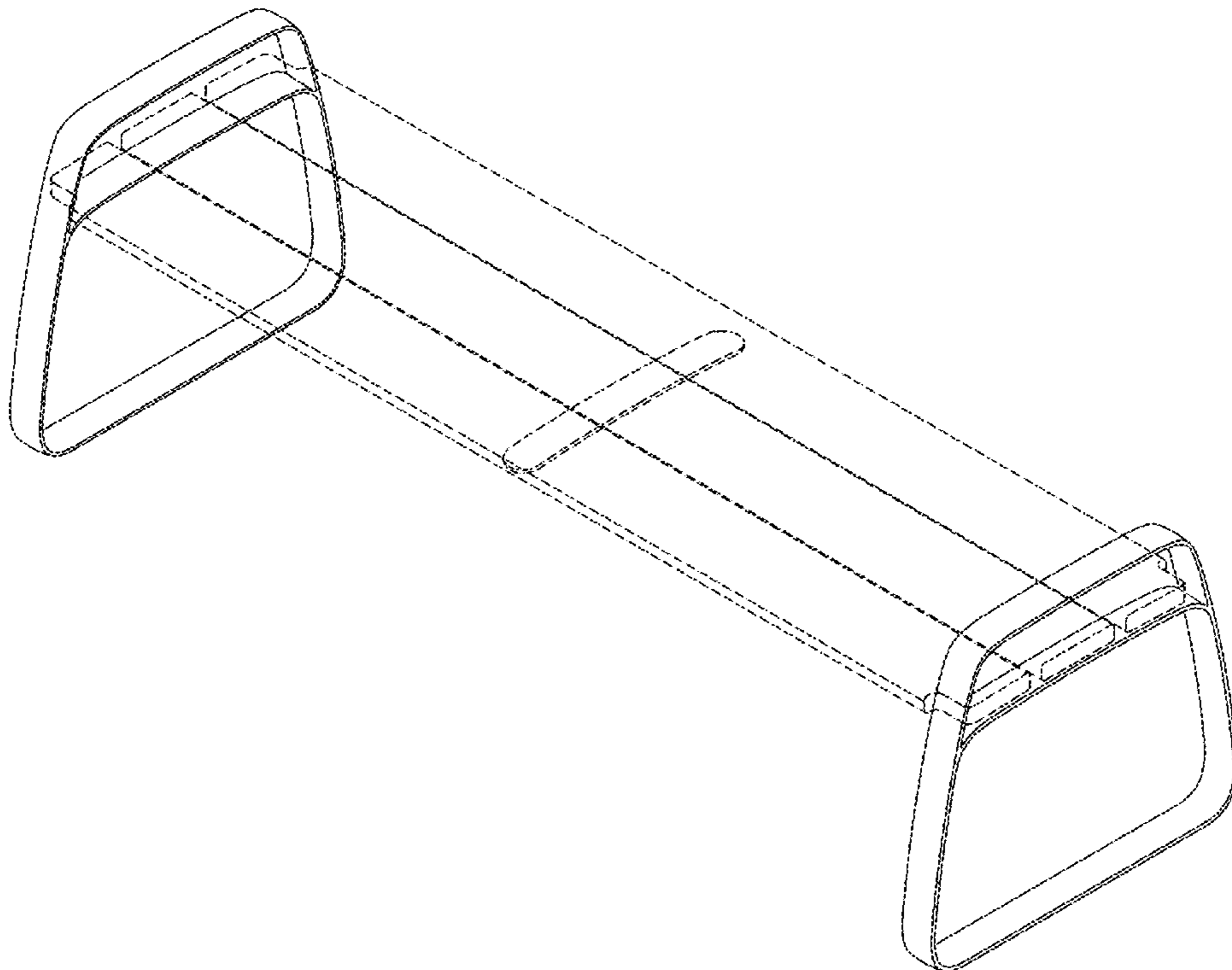
(57) **CLAIM**

The ornamental design for a bench, as shown and described.

DESCRIPTION

FIG. 1 is a perspective view of the bench of the present invention;
FIG. 2 is a front elevation view thereof, the back elevation view being identical thereto;
FIG. 3 is a right side elevation view thereof, the left side elevation view being a mirror image thereof; and,
FIG. 4 is a top plan view thereof.
The broken lines in the figures are for purposes of illustrating environmental structure only and form no part of the claimed invention.

1 Claim, 4 Drawing Sheets



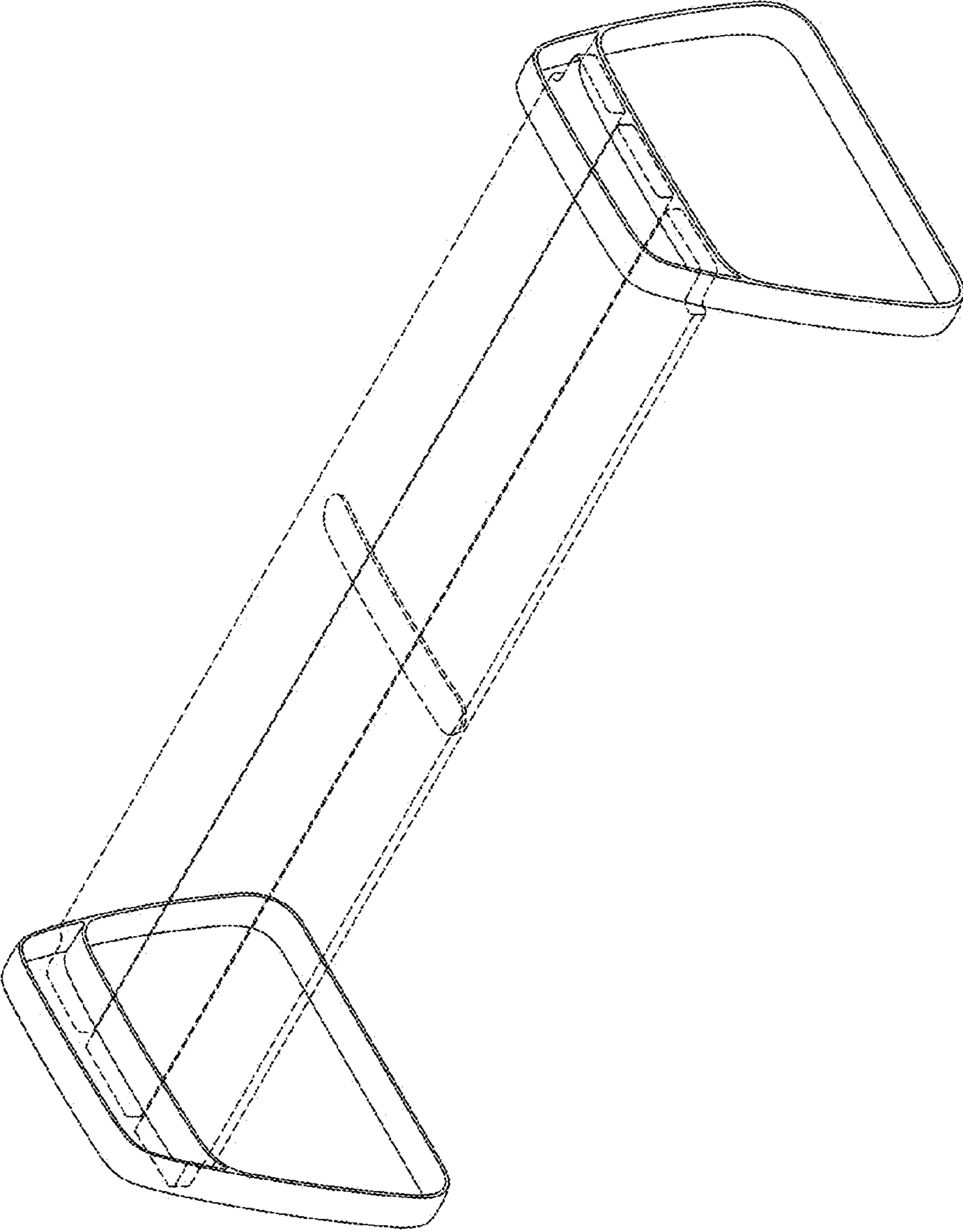


FIG. 1

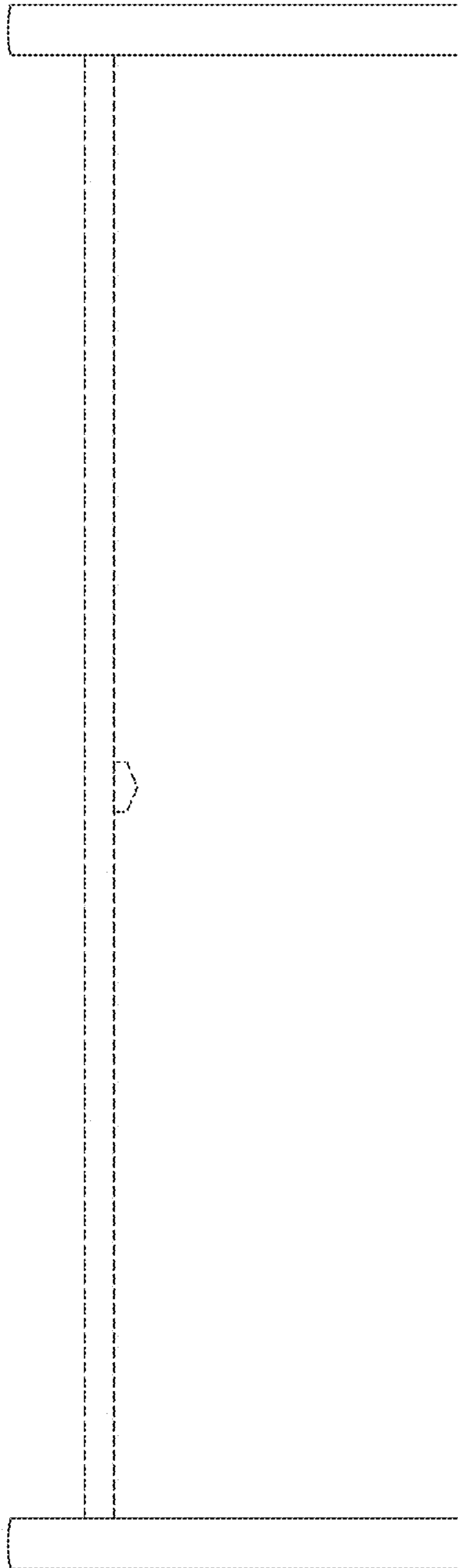


FIG. 2

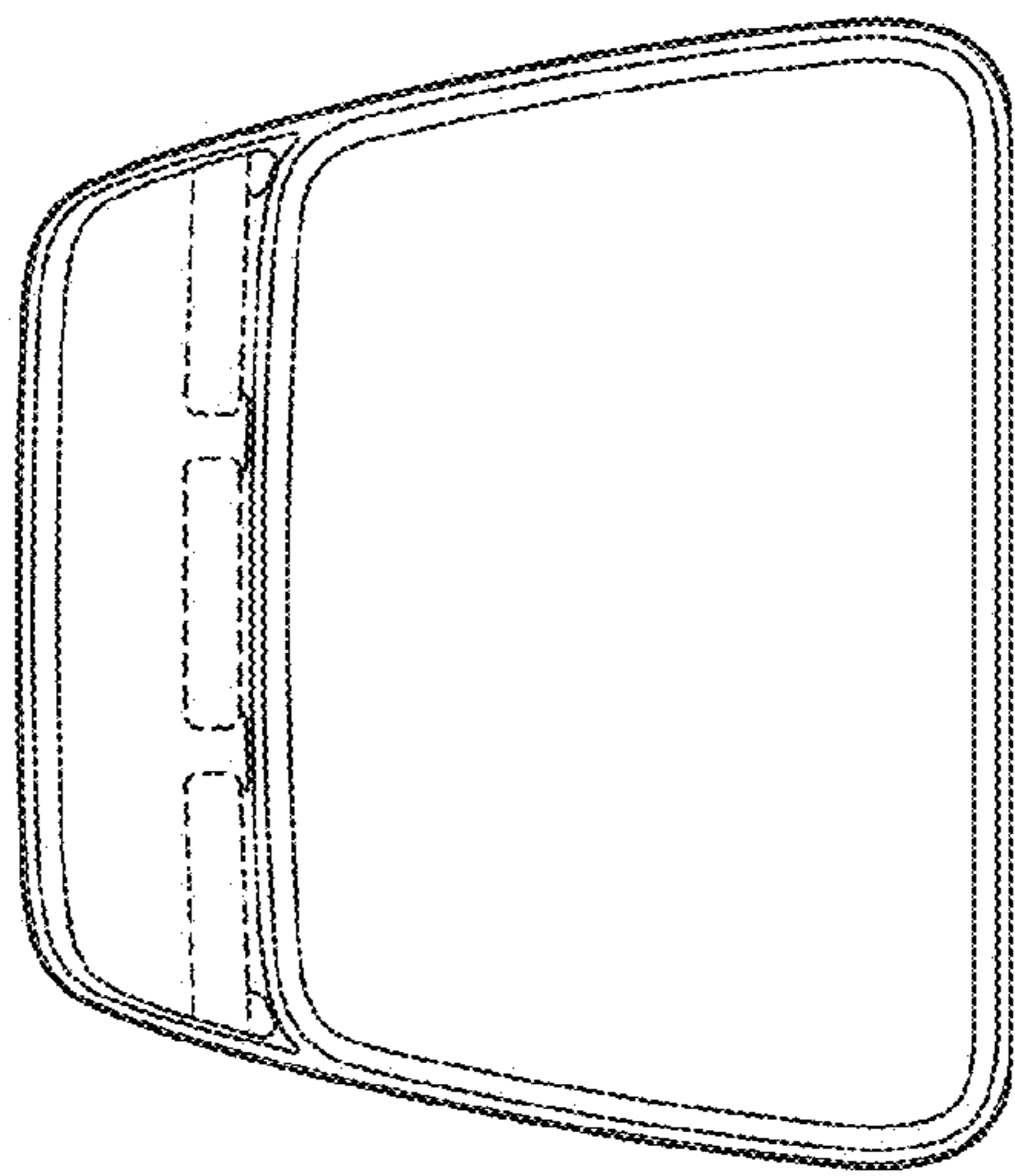


FIG. 3

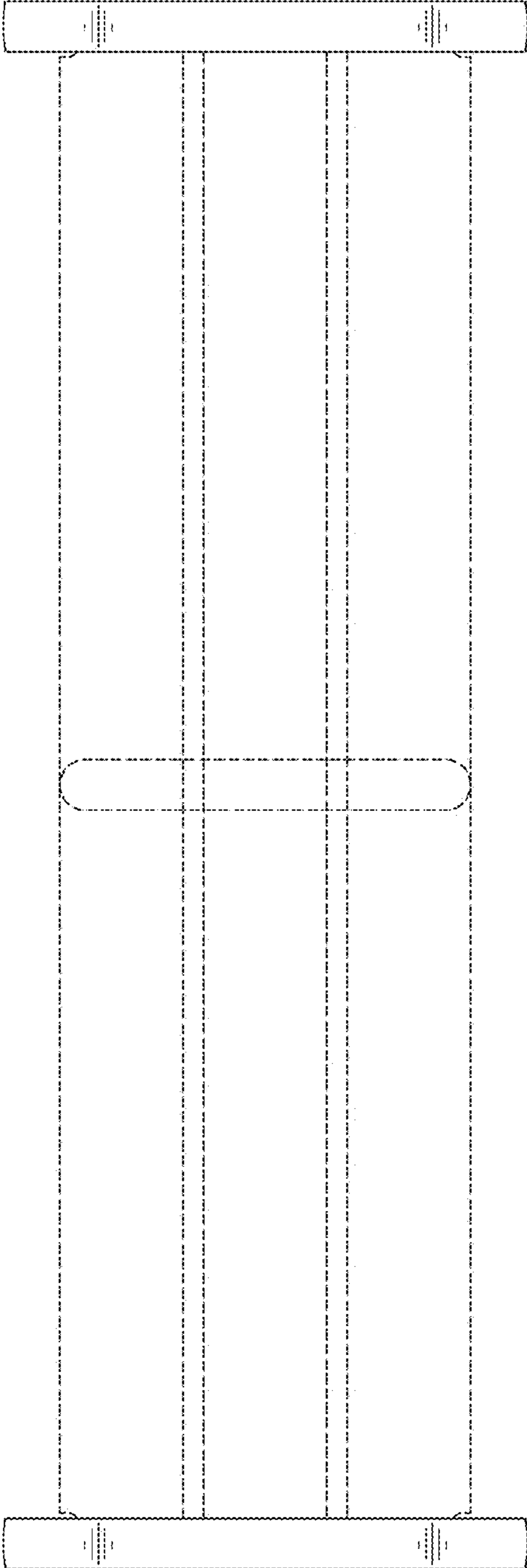


FIG. 4