



US00D748416S

(12) **United States Design Patent**  
**Meissner et al.**

(10) **Patent No.:** **US D748,416 S**

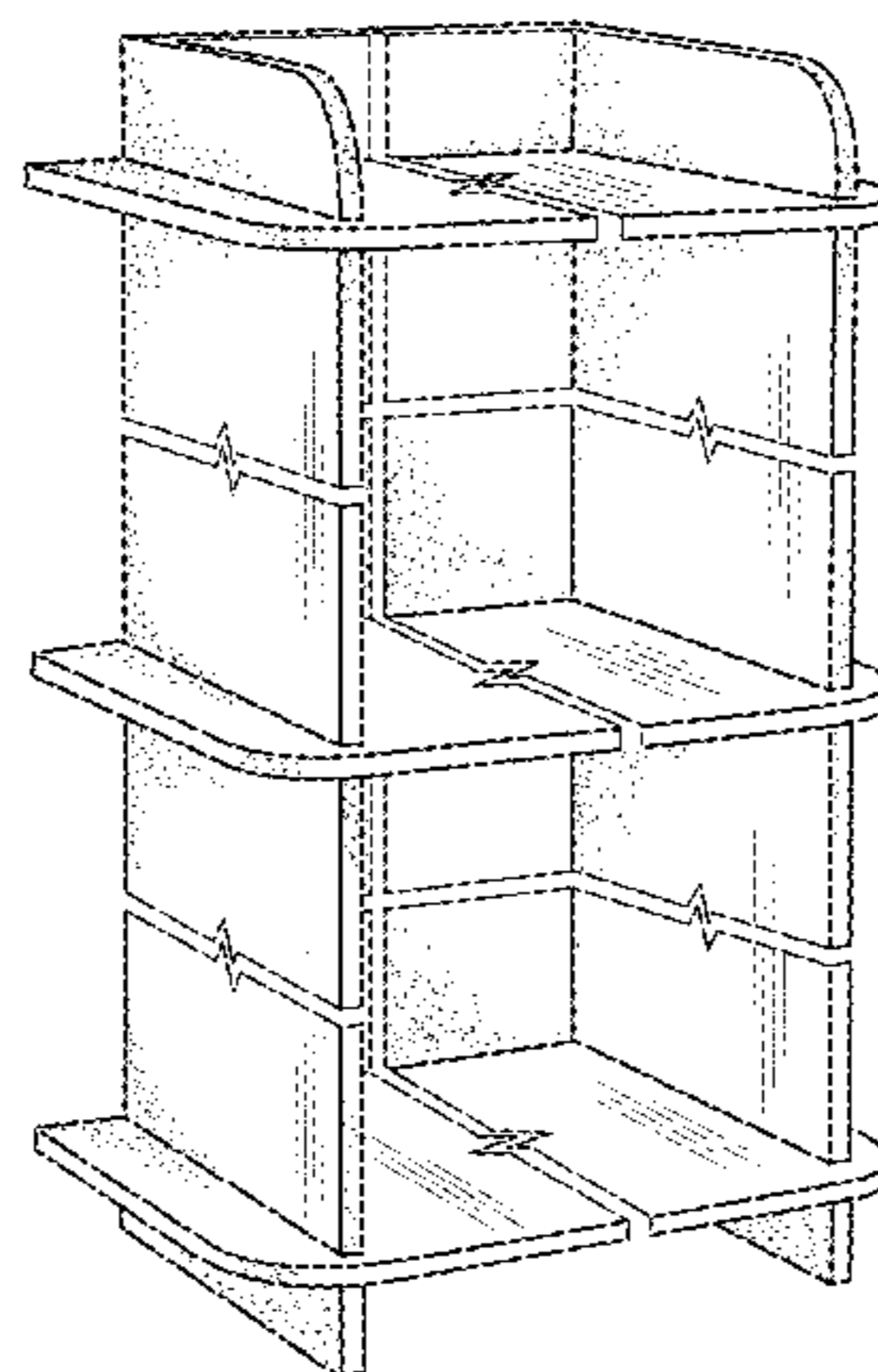
(45) **Date of Patent:** **\*\* \*Feb. 2, 2016**

- (54) **SHELVING UNIT**
- (71) Applicant: **Color Ink, Inc.**, Sussex, WI (US)
- (72) Inventors: **Edward T. Meissner**, Hartland, WI (US); **Randy M. Klibowitz**, Oconomowoc, WI (US)
- (73) Assignee: **COLOR INK, INC.**, Sussex, WI (US)
- (\*) Notice: This patent is subject to a terminal disclaimer.
- (\*\*) Term: **14 Years**
- (21) Appl. No.: **29/485,089**
- (22) Filed: **Mar. 14, 2014**
- (51) **LOC (10) CI.** ..... **06-06**
- (52) **U.S. Cl.**  
USPC ..... **D6/675.1**
- (58) **Field of Classification Search**  
USPC ..... D6/396-397, 449, 473, 477-479, 511, D6/675, 675.1; 108/59-60, 91-93; 211/36, 211/42-43, 85.1-85.2, 188; 312/107-108  
CPC ..... A47B 63/00; A47B 65/00; A47B 65/10-65/20; A47B 65/15  
See application file for complete search history.

D303,596 S *	9/1989	Goetz .....	D6/675.1
4,875,737 A	10/1989	Cardenas	
4,934,756 A	6/1990	Webb et al.	
D330,475 S	10/1992	Bennett	
D334,977 S	4/1993	Avari	
5,263,766 A	11/1993	McCullough	
D348,577 S	7/1994	Simpson	
D352,182 S	11/1994	Yoshimura	
5,363,775 A	11/1994	Simpson	
5,450,998 A	9/1995	Esse et al.	
D365,226 S *	12/1995	Goebel .....	D6/675.2
5,644,995 A	7/1997	Gurwell et al.	
D384,838 S	10/1997	Topper et al.	
D398,453 S	9/1998	Stead	
D402,229 S	12/1998	Christensen	
D403,900 S	1/1999	Hutton	
5,855,175 A	1/1999	Forbes	
D408,176 S	4/1999	Rollins et al.	
D416,147 S	11/1999	Dickinson et al.	
6,027,188 A	2/2000	Nickens	
D426,987 S	6/2000	Lewis	
D450,488 S	11/2001	Stone et al.	
D450,518 S	11/2001	Frederick	
6,532,878 B2	3/2003	Tidemann	
D476,510 S	7/2003	Henry et al.	
D477,160 S *	7/2003	Grosfillex .....	D6/675.1
D477,165 S	7/2003	Petri	
D483,966 S	12/2003	Forlenza et al.	
D501,338 S	2/2005	Deasy et al.	
D503,569 S	4/2005	Lenger	
D529,726 S	10/2006	Cutler et al.	
D535,497 S	1/2007	Portnoy	
D552,900 S	10/2007	Wilenius	
D553,393 S	10/2007	Cassel	
D556,474 S	12/2007	Good	
D562,594 S	2/2008	Thompson	
D565,331 S	4/2008	Miller	
D568,626 S	5/2008	Gharabegian	
D592,891 S	5/2009	Alfonso	
D595,515 S	7/2009	Collette	
D597,353 S *	8/2009	Liss et al. ....	D6/719
7,625,047 B2	12/2009	Bertele	
D607,667 S	1/2010	Cayouette	
7,886,673 B2 *	2/2011	Korte et al. ....	108/110
D637,427 S *	5/2011	Troyner et al. ....	D6/705.6
D646,072 S	10/2011	Katina	
D648,959 S	11/2011	Alden	
D651,121 S	12/2011	Grimme	
D655,948 S	3/2012	Dardashti et al.	
D663,257 S	7/2012	Stroud et al.	
D664,377 S	7/2012	Pennacchio	
D665,198 S	8/2012	Levy et al.	
D669,686 S	10/2012	Waggoner	

(56) **References Cited**  
U.S. PATENT DOCUMENTS

D112,864 S	1/1939	Schlup	
2,366,677 A	1/1945	Rosenthal	
2,649,137 A	8/1953	Roberts	
3,113,356 A	12/1963	Piper	
3,312,503 A	4/1967	Suzuki	
3,620,175 A	11/1971	Crane et al.	
D234,413 S	3/1975	Hauner	
D247,273 S	2/1978	Peters	
4,085,970 A	4/1978	Klein	
D248,196 S	6/1978	Gordon, Sr.	
D260,716 S	9/1981	Cohen et al.	
4,620,637 A *	11/1986	Karashima .....	211/188
D294,787 S	3/1988	Berry, Jr.	
4,819,814 A	4/1989	Fogelgren	



D672,960	S	12/2012	Turner	
D674,191	S	1/2013	Sakaguchi	
D677,943	S	3/2013	Mendoza	
D677,944	S *	3/2013	Lai .....	D6/675.2
D686,430	S *	7/2013	Fitzgerald et al. ....	D6/707.19
8,763,820	B2 *	7/2014	Hanley .....	211/88.01
D713,178	S *	9/2014	Cohen .....	D6/675.1
8,950,603	B2 *	2/2015	Davis et al. ....	211/187
D723,843	S *	3/2015	Lai .....	D6/675.1
8,985,598	B2 *	3/2015	Engum et al. ....	280/47.35
D730,089	S *	5/2015	Carbone .....	D6/675.1
2003/0010738	A1	1/2003	Hsia et al.	
2003/0066814	A1	4/2003	Wang	
2008/0237319	A1	10/2008	Hensey et al.	

FOREIGN PATENT DOCUMENTS

EP	1714776	10/2006
WO	WO 97/00039	1/1997
WO	WO 2004/042237	5/2004
WO	WO 2011/000380	1/2011
WO	WO 2011/031209	3/2011
WO	WO 2011/162687	12/2011

OTHER PUBLICATIONS

Hellmuth, N.; Herrera, S. Honeycomb Sandwich Panels, FLAAR Reports, Exhibits of Honeycomb Material at Graphispag 2011 Print Expo, Barcelona.  
 Stora Enso Re-Board Product Website—Re-Board Material and Products, May 20, 2013.  
 Northern Design Re-Board Product Website—Gallery of Products, May 20, 2013.  
 POS Factory Website—Re-board partner website, May 20, 2013.  
 USPTO Office Action dated Nov. 26, 2013 regarding Design U.S. Appl. No. 29/467,646, 6 pages.  
 Office Action dated May 8, 2015 in related U.S. Appl. No. 29/472,738.  
 Office Action dated May 22, 2015 in related U.S. Appl. No. 29/472/41.

\* cited by examiner

*Primary Examiner* — Kelley Donnelly  
 (74) *Attorney, Agent, or Firm* — Ryan Kromholz & Manion, S.C.

(57) **CLAIM**

The ornamental design for a shelving unit, as shown and described.

**DESCRIPTION**

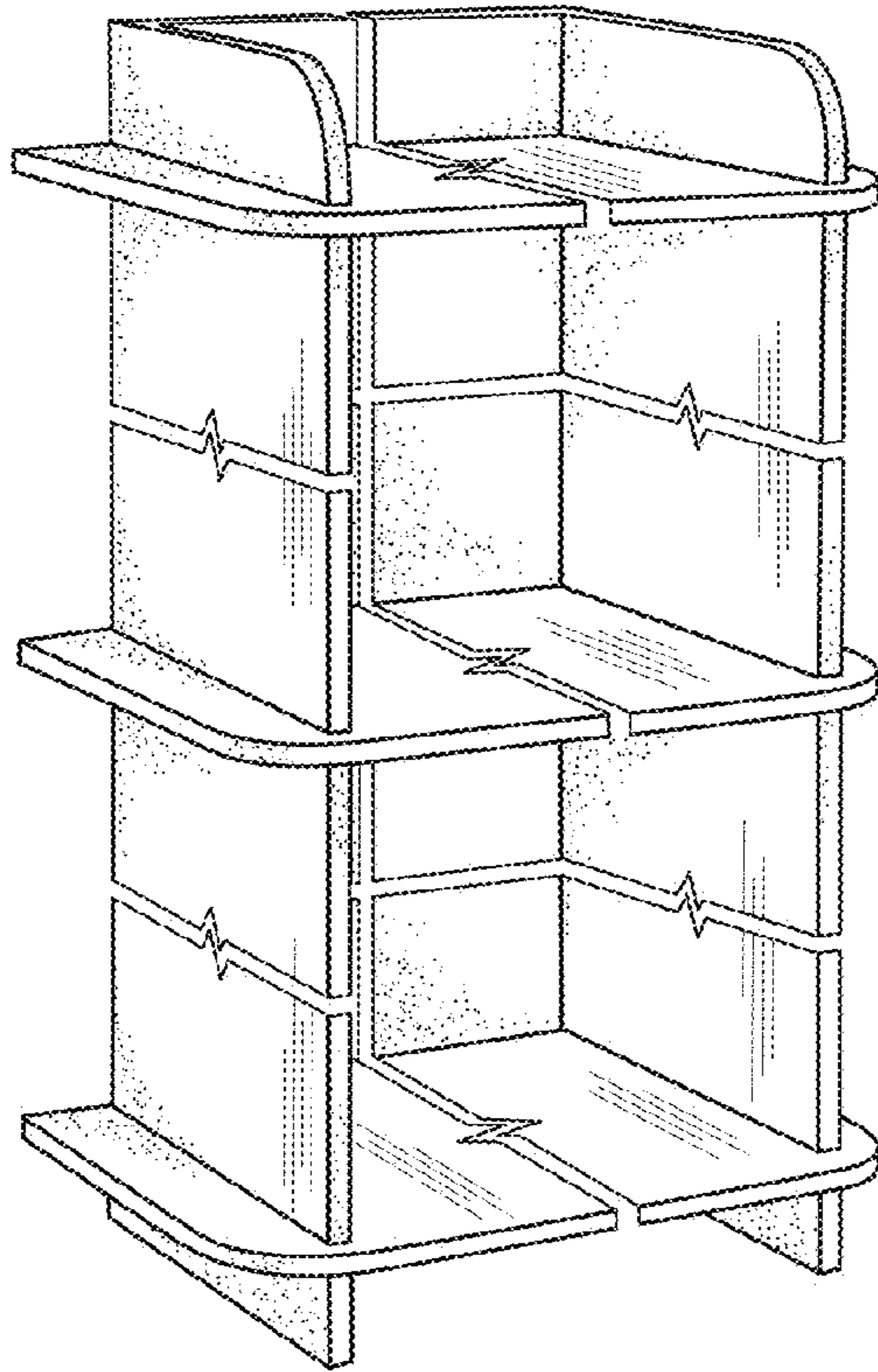
FIG. 1 is a front perspective view of an embodiment of the shelving unit;

FIG. 2 is a front perspective view thereof and showing items in place in dotted line;  
 FIG. 3 is a front elevation view thereof;  
 FIG. 4 is a rear elevation view thereof;  
 FIG. 5 is a right side elevation view thereof;  
 FIG. 6 is a left side elevation view thereof;  
 FIG. 7 is a top plan view thereof;  
 FIG. 8 is a bottom plan view thereof;  
 FIG. 9 is a front perspective view of a second embodiment of the structure;  
 FIG. 10 is a front perspective view thereof and showing items in place in dotted line;  
 FIG. 11 is a front elevation view thereof;  
 FIG. 12 is a rear elevation view thereof;  
 FIG. 13 is a right side elevation view thereof;  
 FIG. 14 is a left side elevation view thereof;  
 FIG. 15 is a top plan view thereof;  
 FIG. 16 is a bottom plan view thereof;  
 FIG. 17 is a front perspective view of a third embodiment of the structure;  
 FIG. 18 is a front perspective view thereof and showing items in place in dotted line;  
 FIG. 19 is a front elevation view thereof;  
 FIG. 20 is a rear elevation view thereof;  
 FIG. 21 is a right side elevation view thereof;  
 FIG. 22 is a left side elevation view thereof;  
 FIG. 23 is a top plan view thereof;  
 FIG. 24 is a bottom plan view thereof;  
 FIG. 25 is a front perspective view of a fourth embodiment of the structure;  
 FIG. 26 is a front perspective view thereof and showing items in place in dotted line;  
 FIG. 27 is a front elevation view thereof;  
 FIG. 28 is a rear elevation view thereof;  
 FIG. 29 is a right side elevation view thereof;  
 FIG. 30 is a left side elevation view thereof;  
 FIG. 31 is a top plan view thereof; and,  
 FIG. 32 is a bottom plan view thereof.

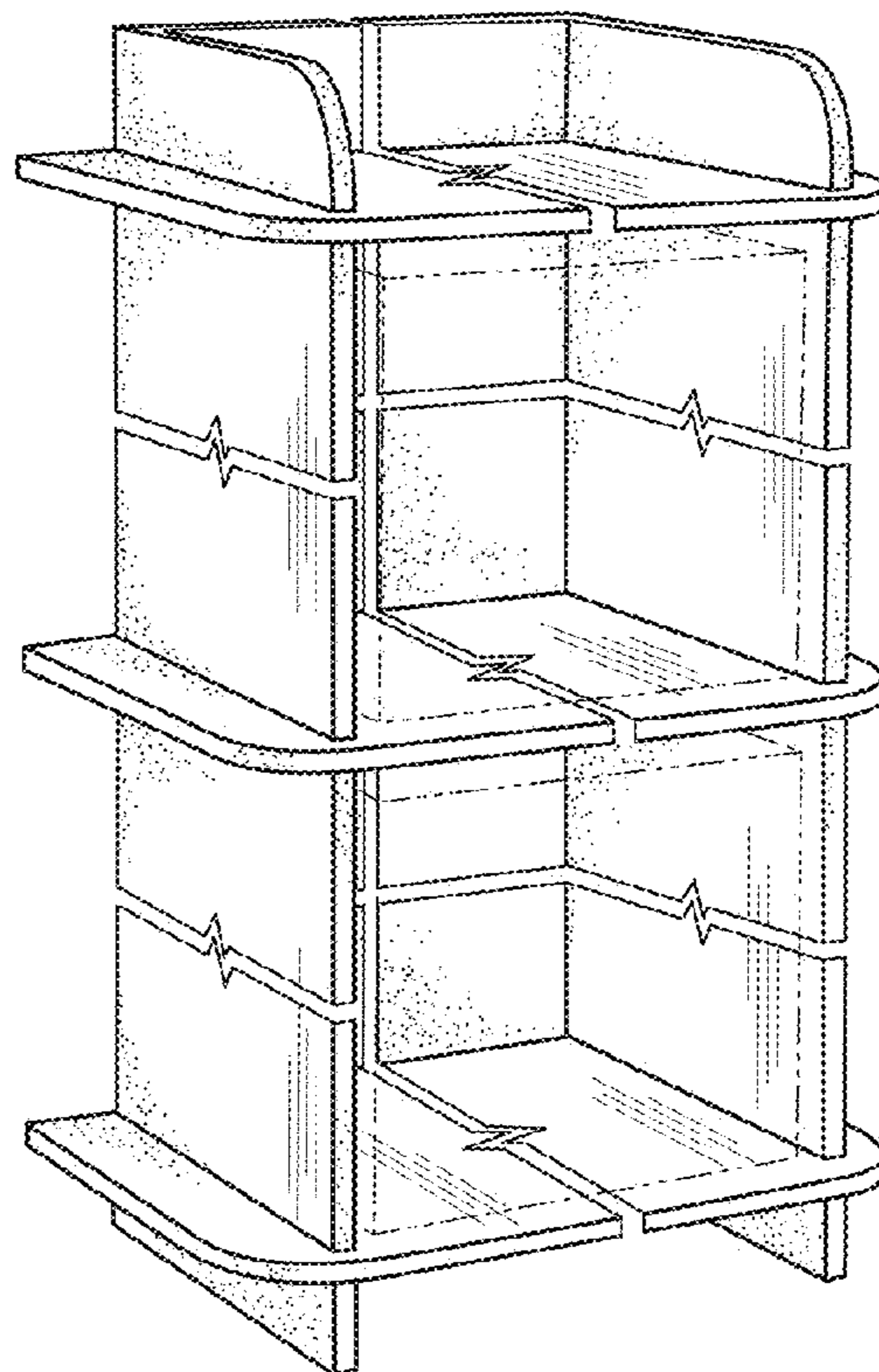
The broken lines are for the purpose of illustrating the environment of the article only and form no part of the claimed design.

The shelving unit is shown with symbolic breaks. Any portion between the break lines forms no part of the claimed design.

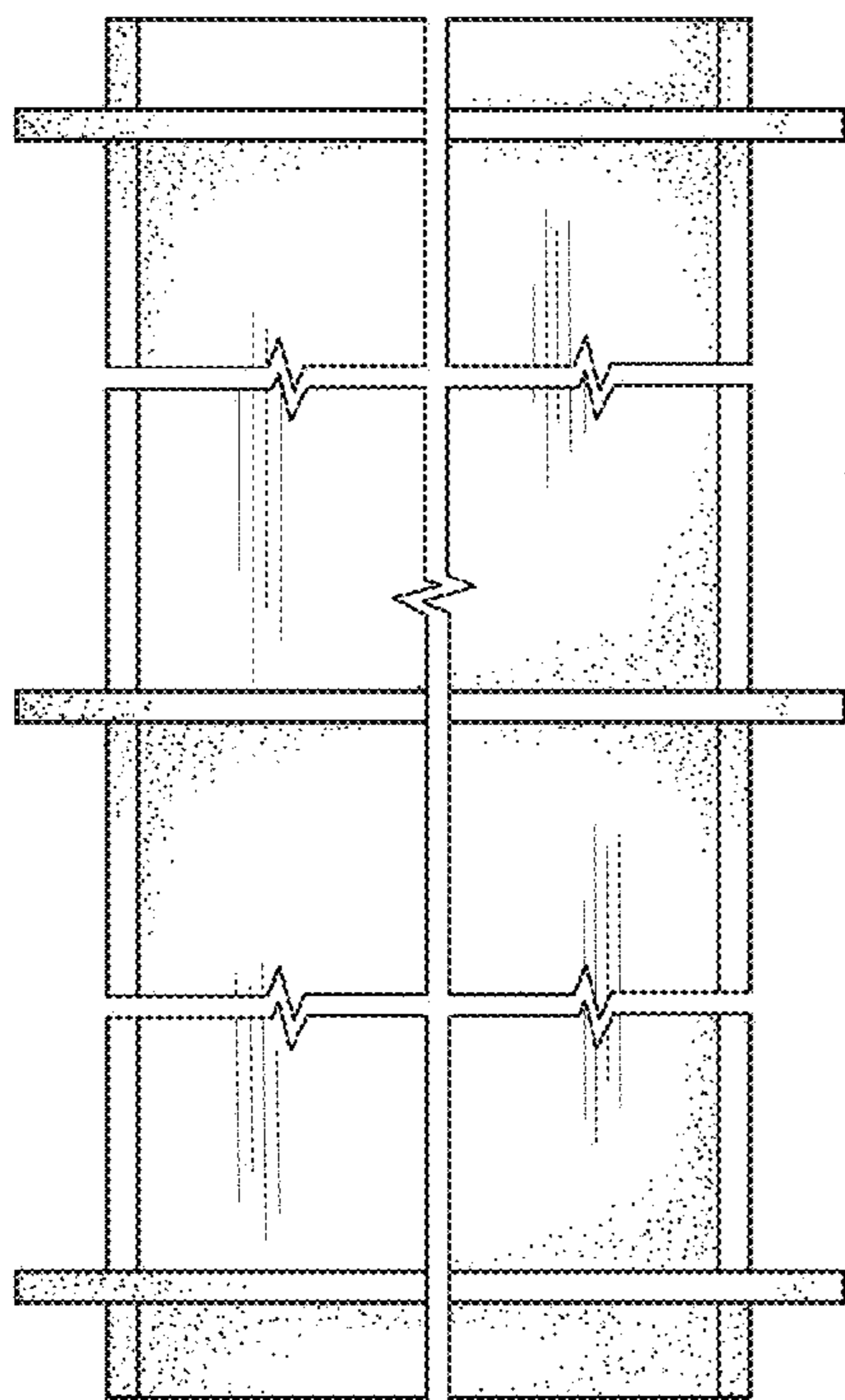
**1 Claim, 15 Drawing Sheets**



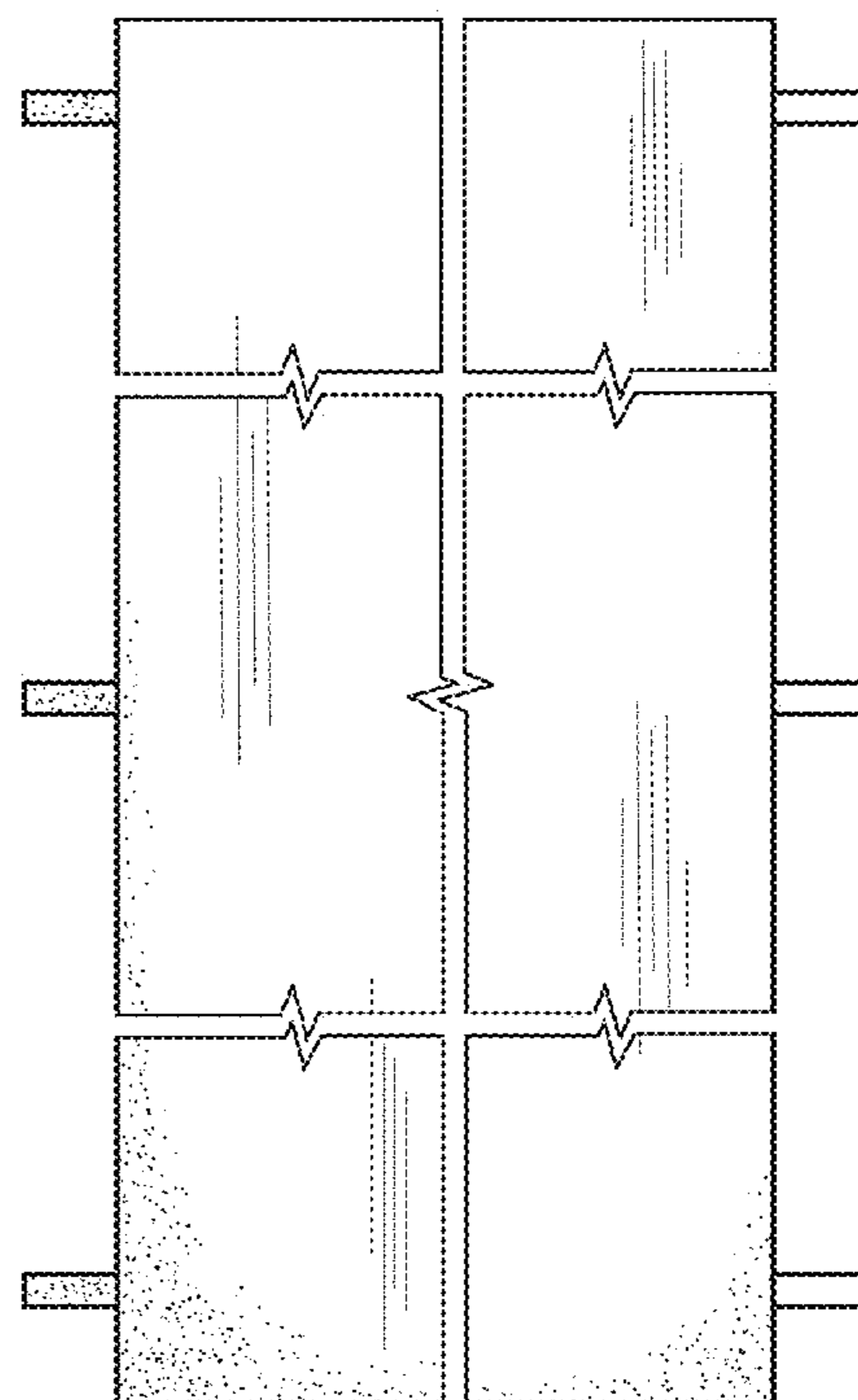
*Fig. 1*



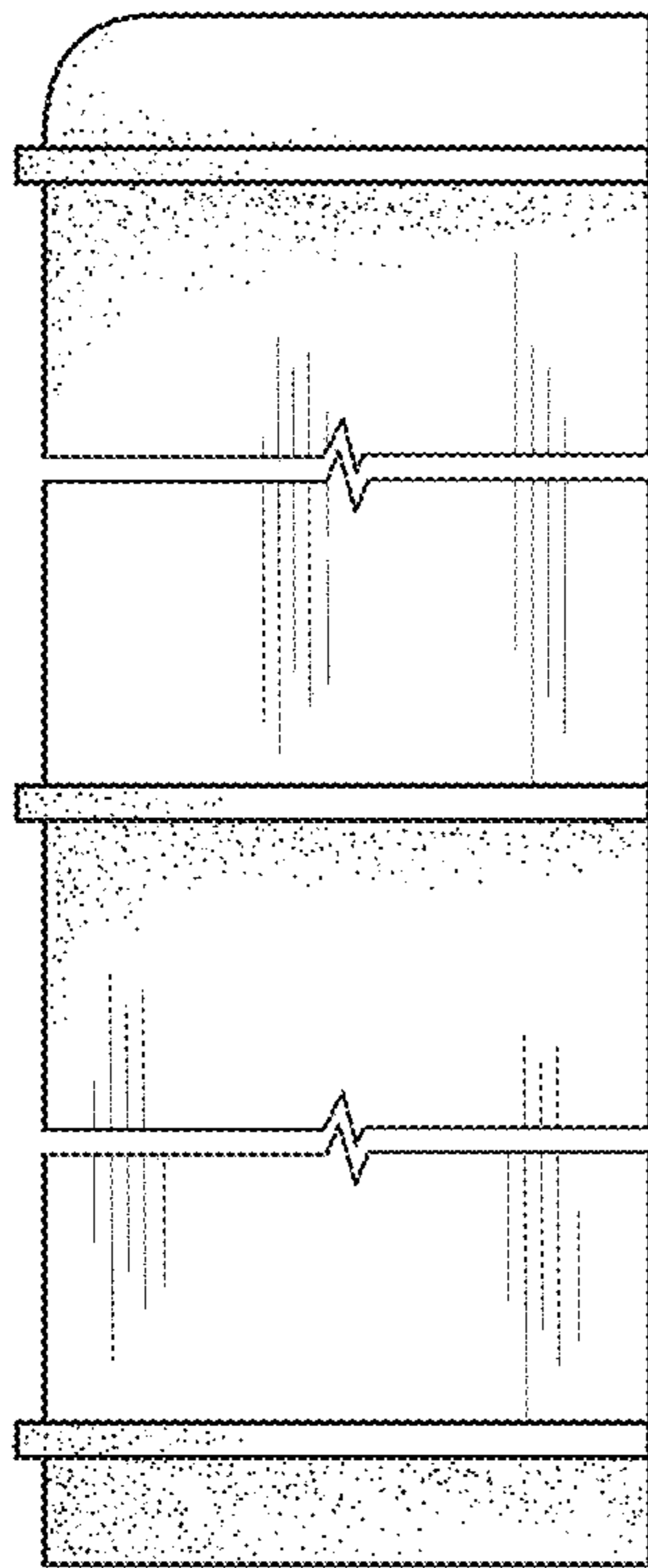
*Fig. 2*



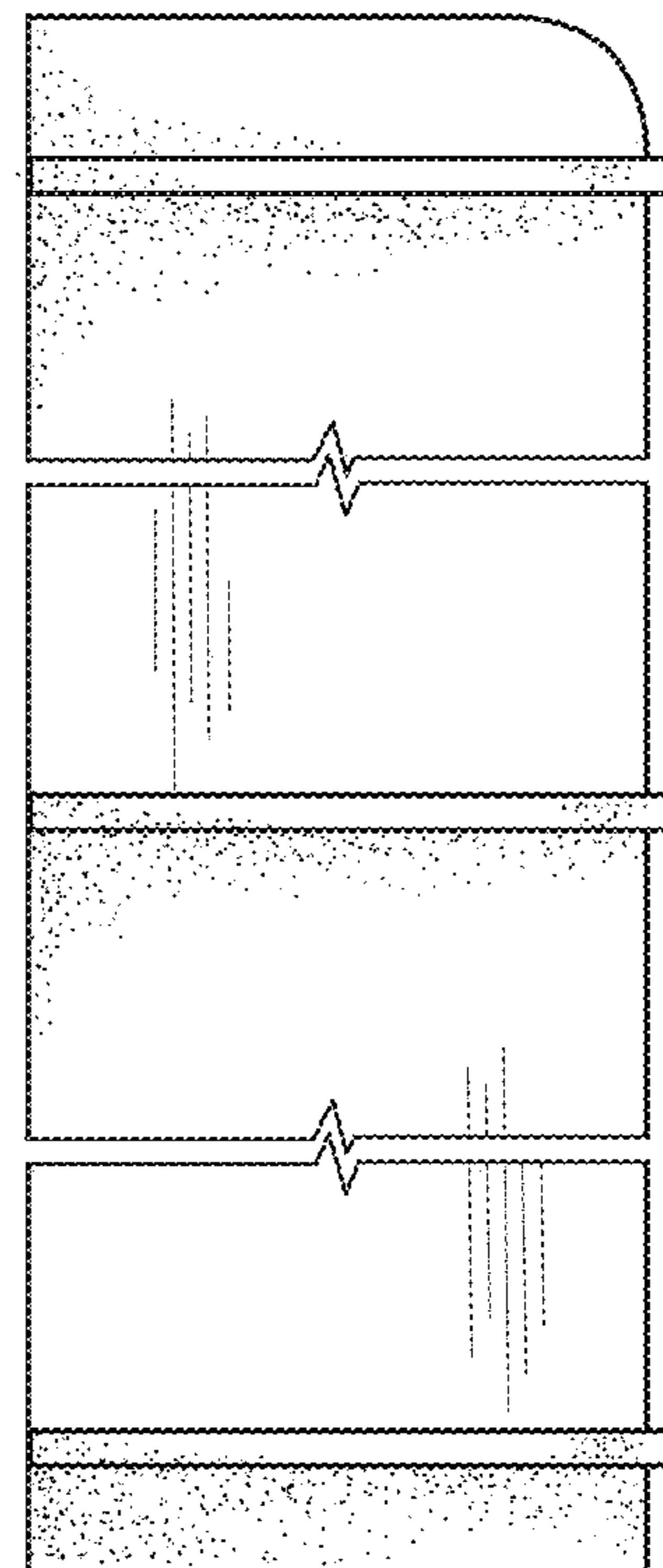
*Fig. 3*



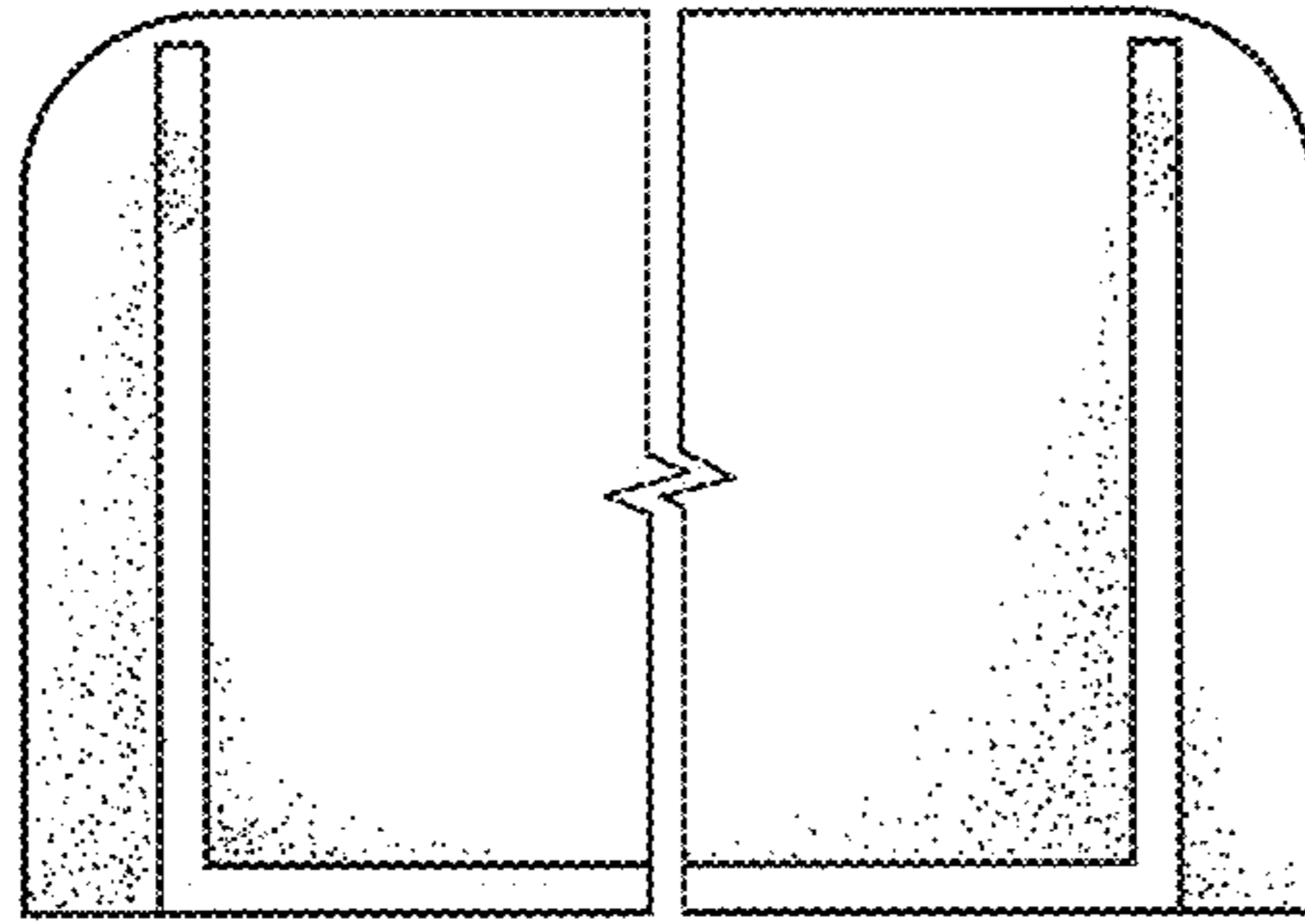
*Fig. 4*



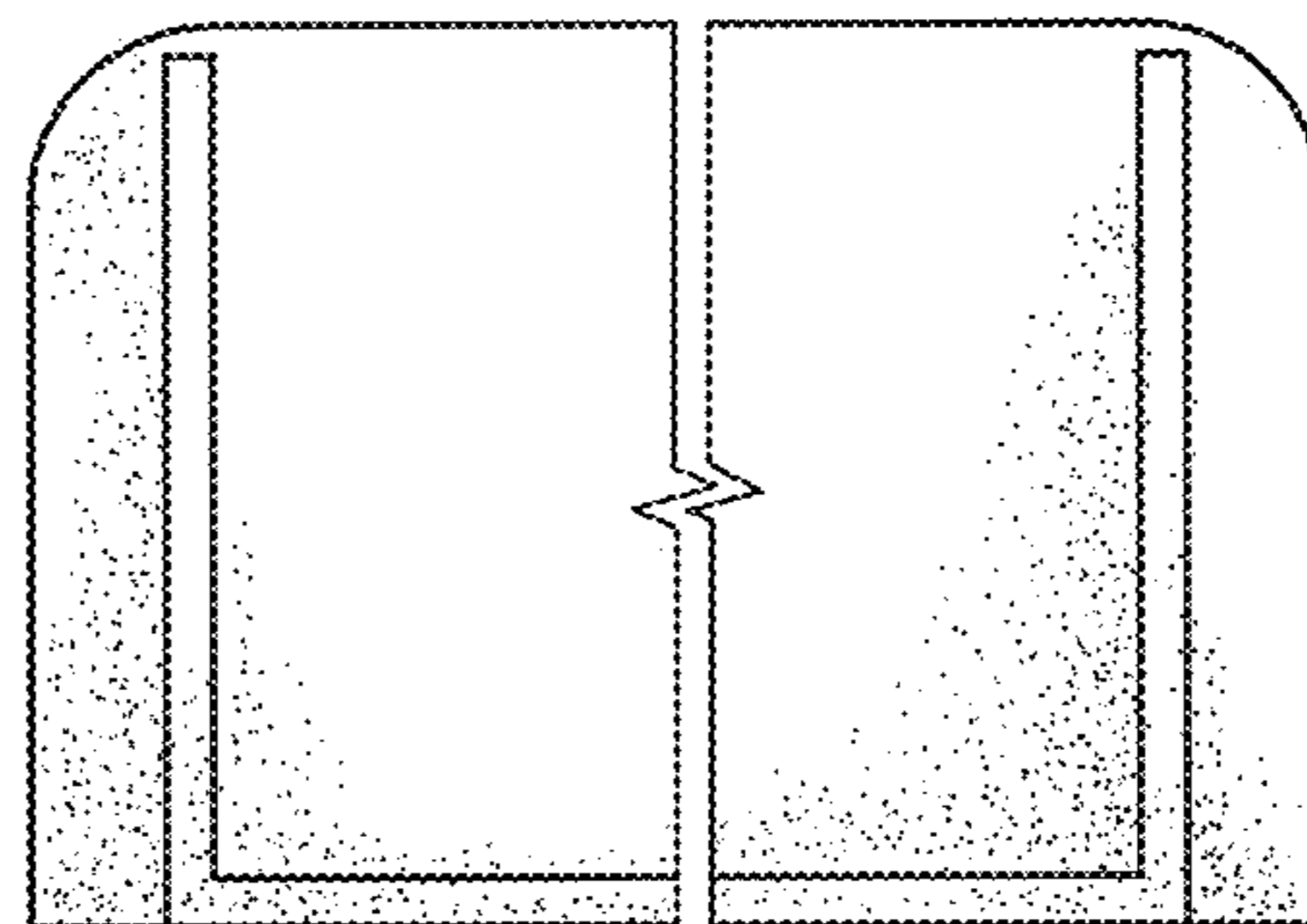
*Fig. 5*



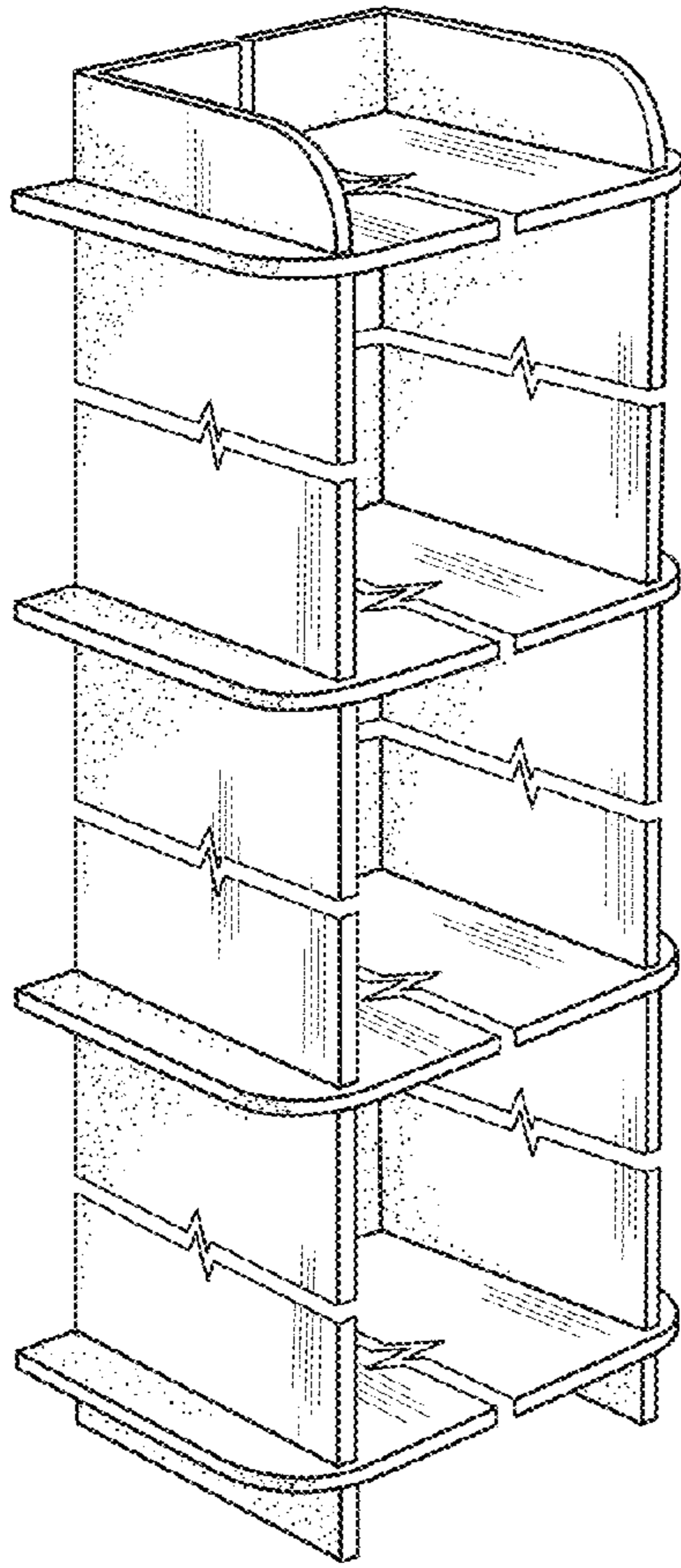
*Fig. 6*



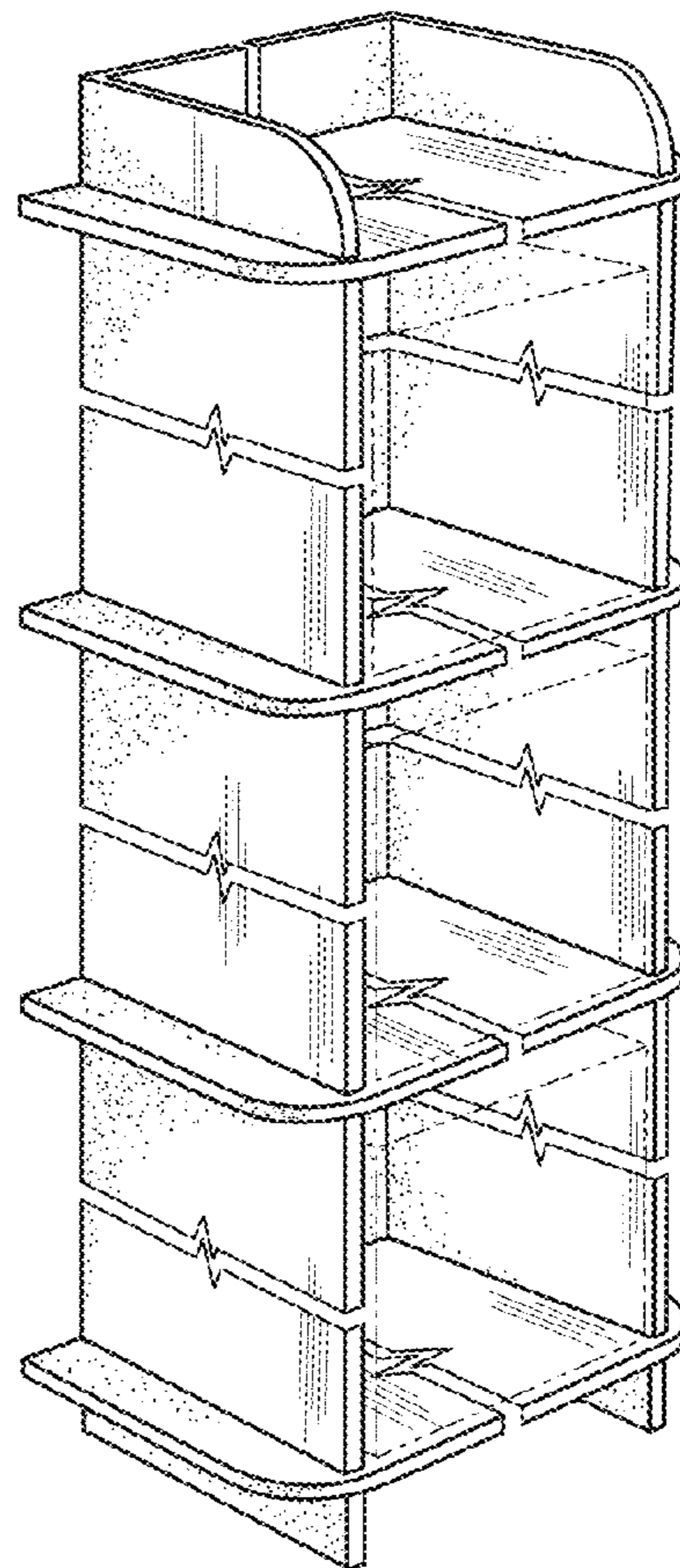
*Fig. 7*



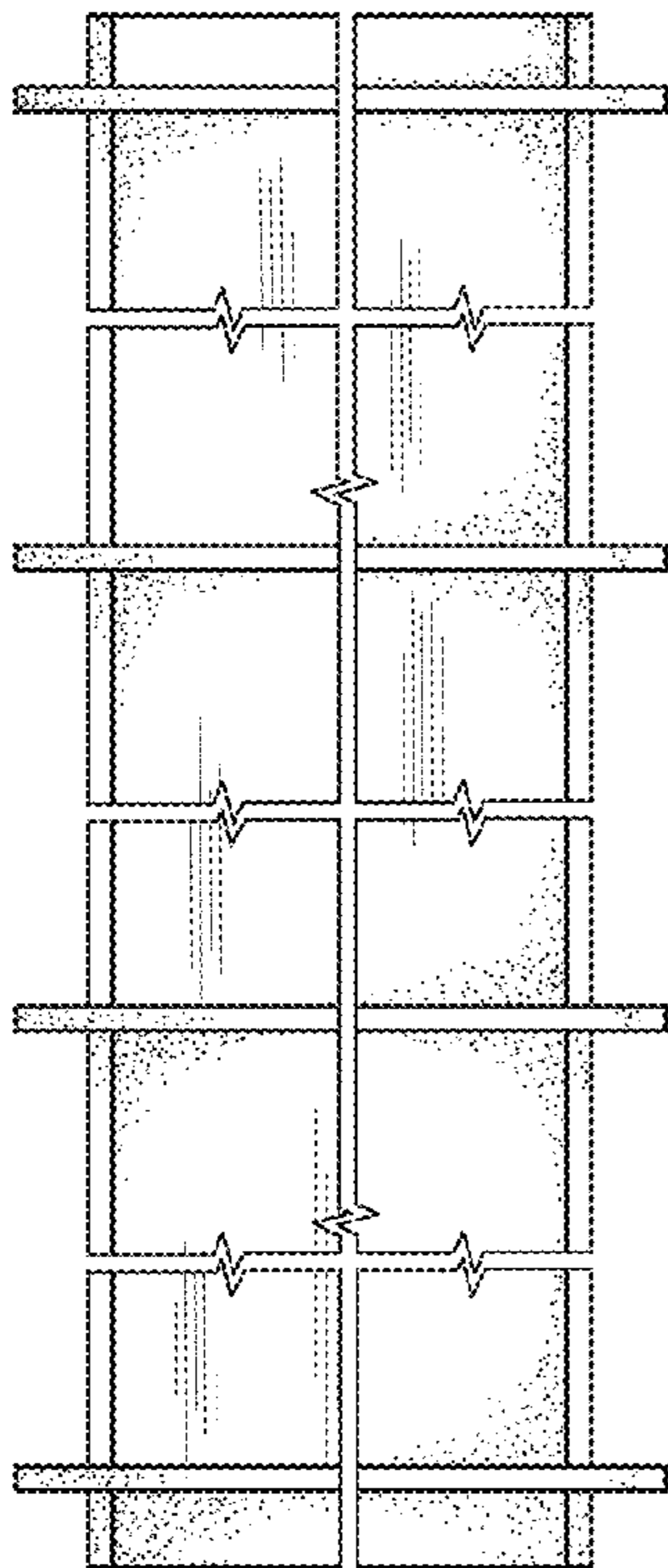
*Fig. 8*



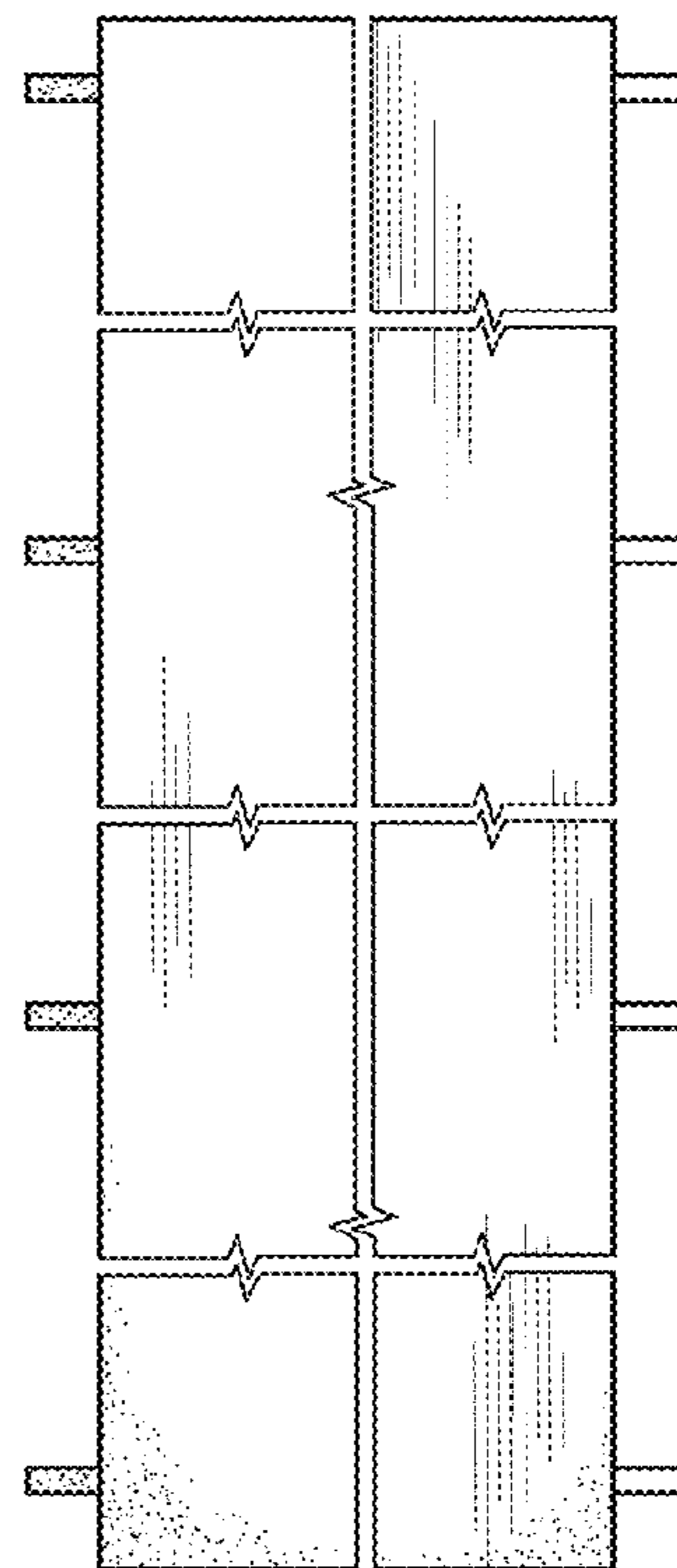
*Fig. 9*



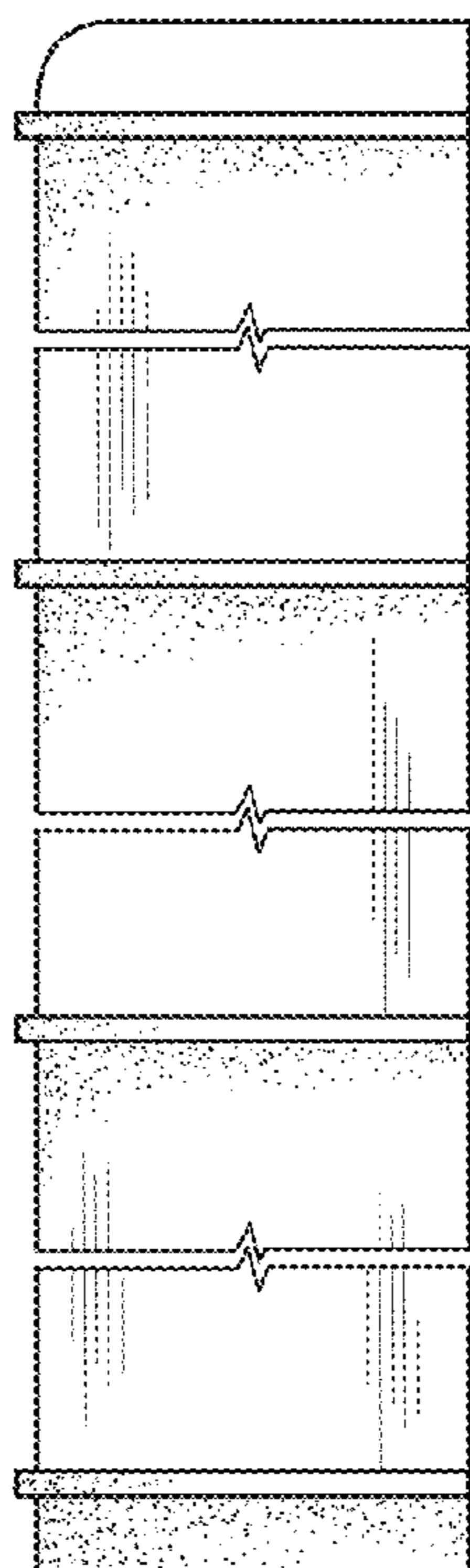
*Fig. 10*



*Fig. 11*

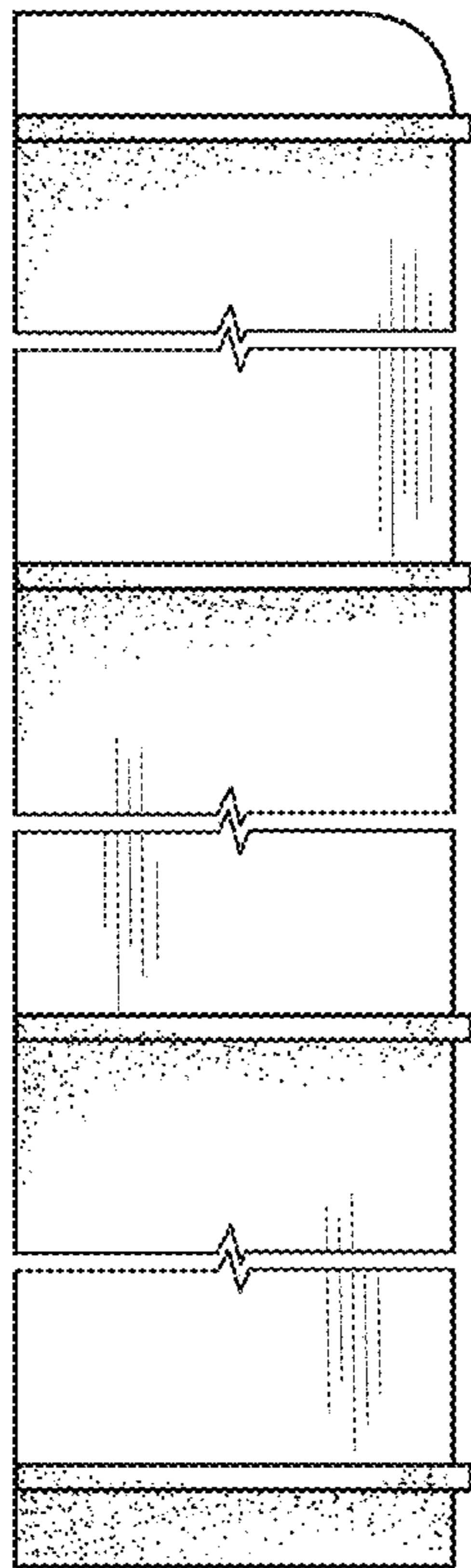


*Fig. 12*

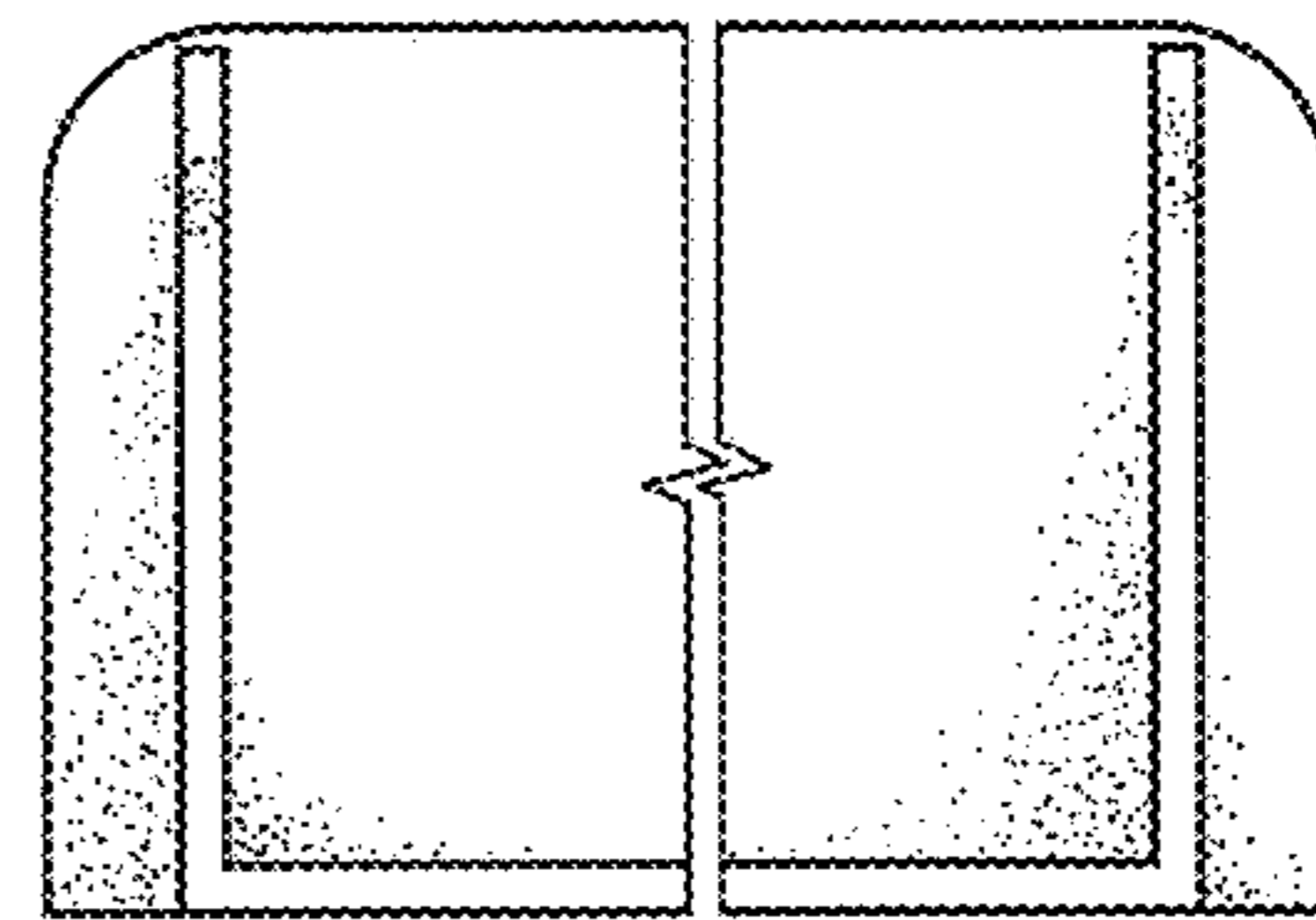


*Fig. 13*

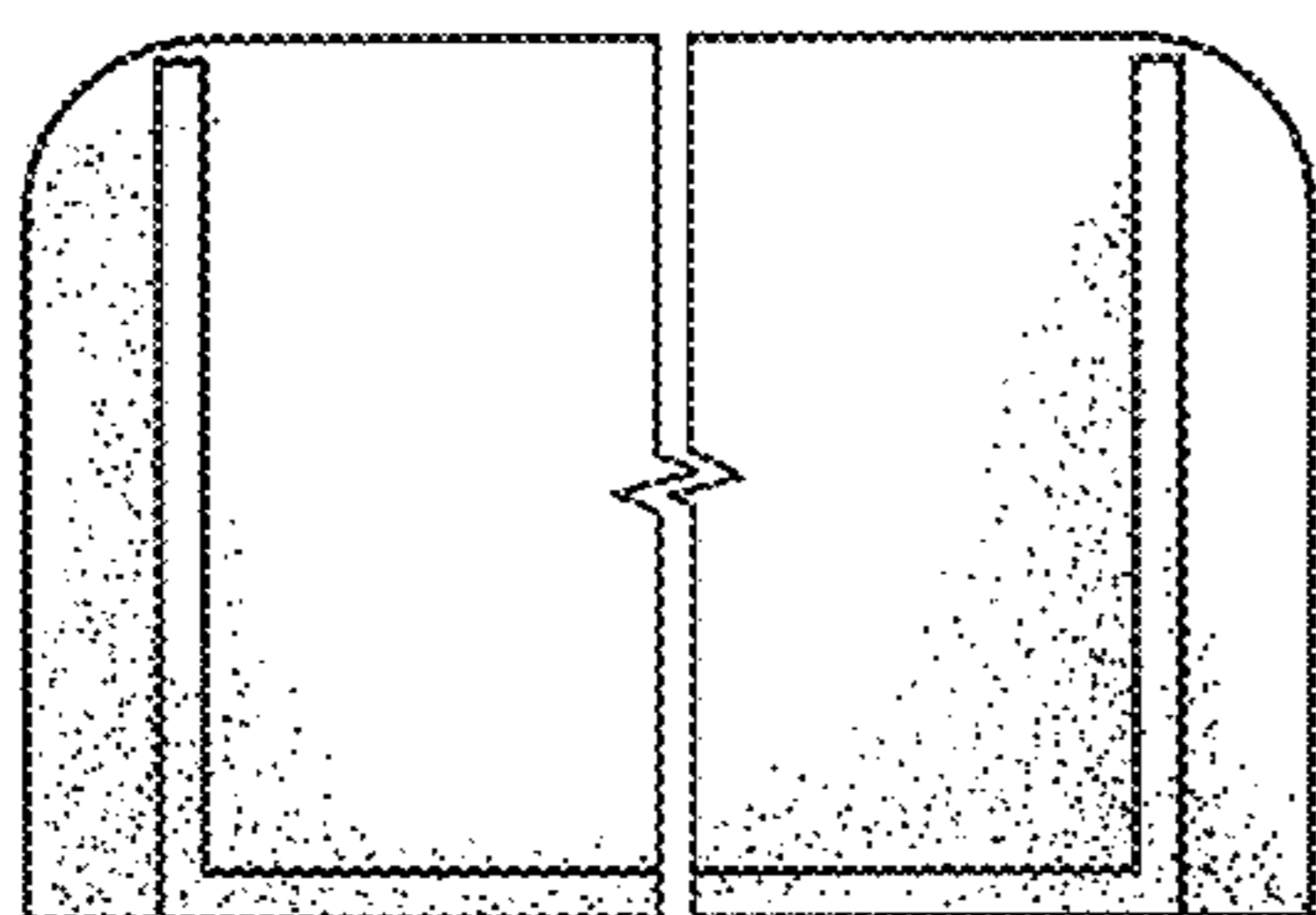




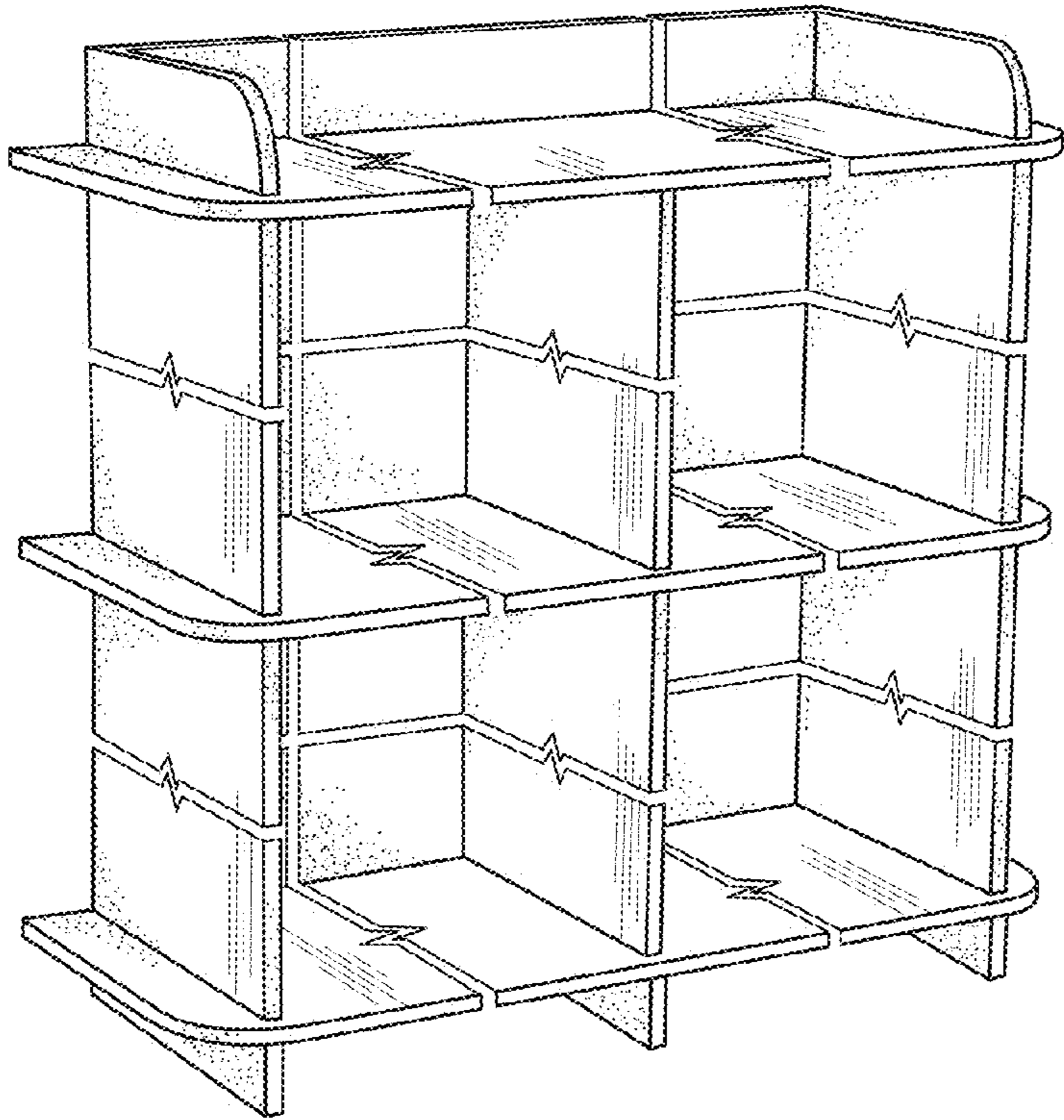
*Fig. 14*



*Fig. 15*



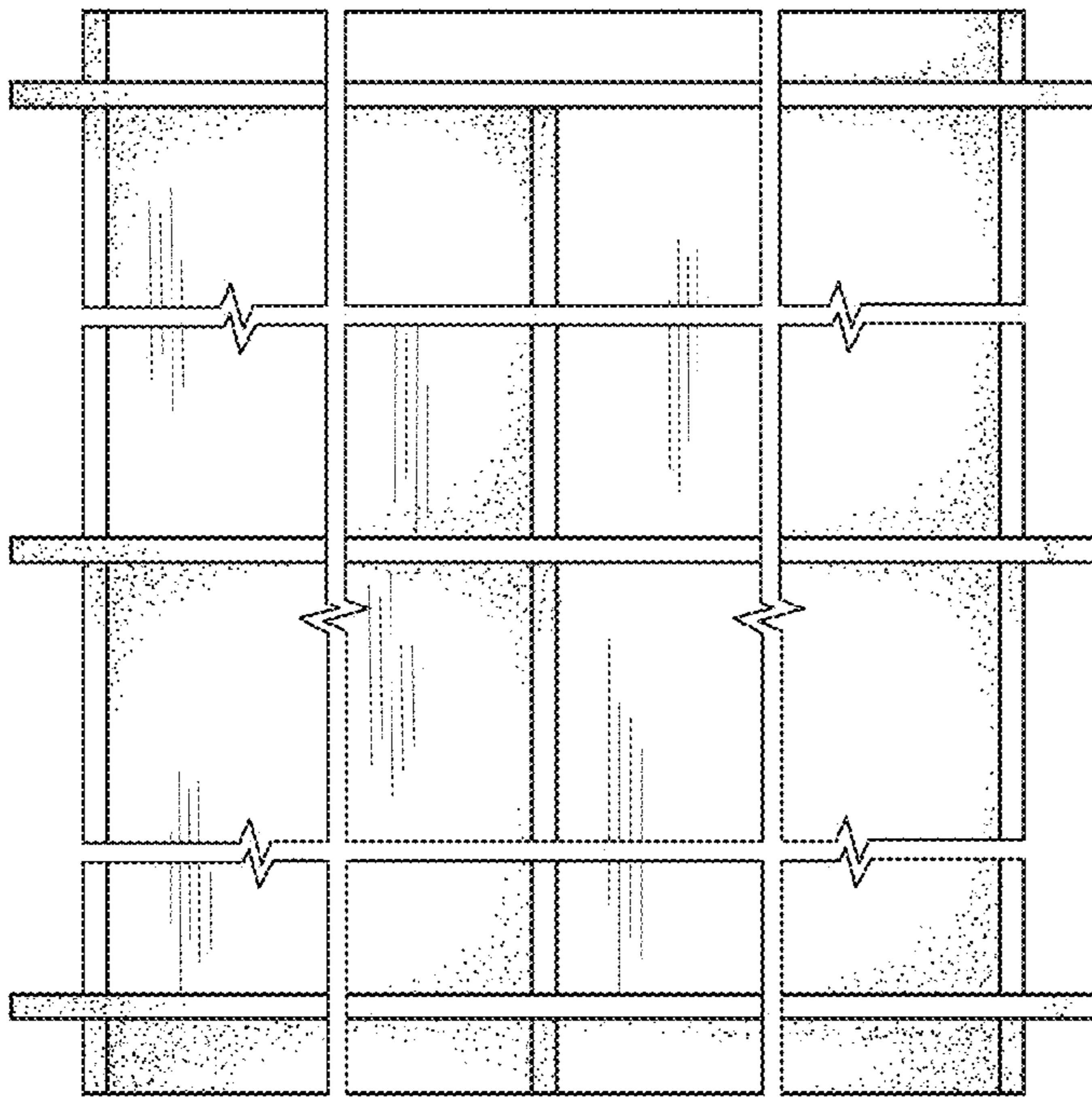
*Fig. 16*



*Fig. 17*

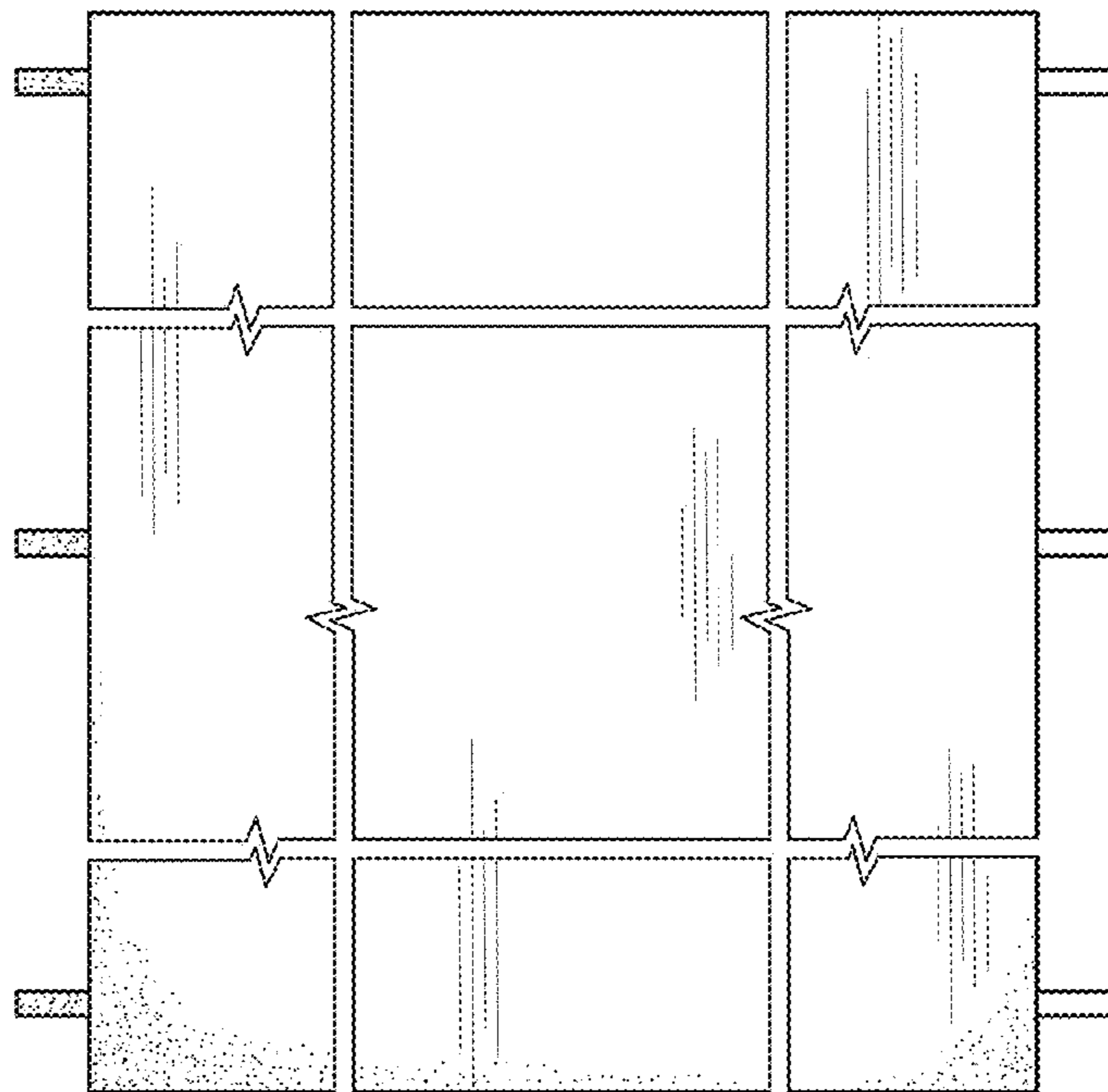


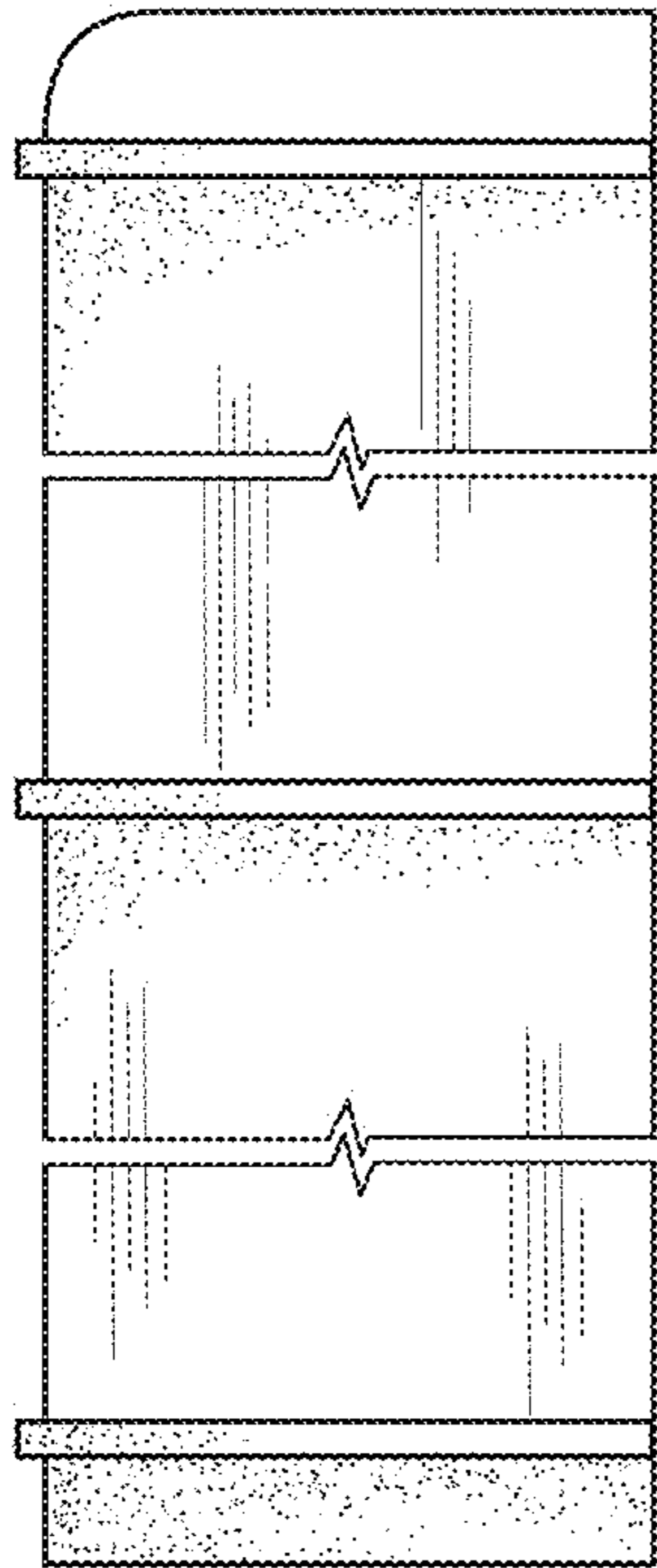
*Fig. 18*



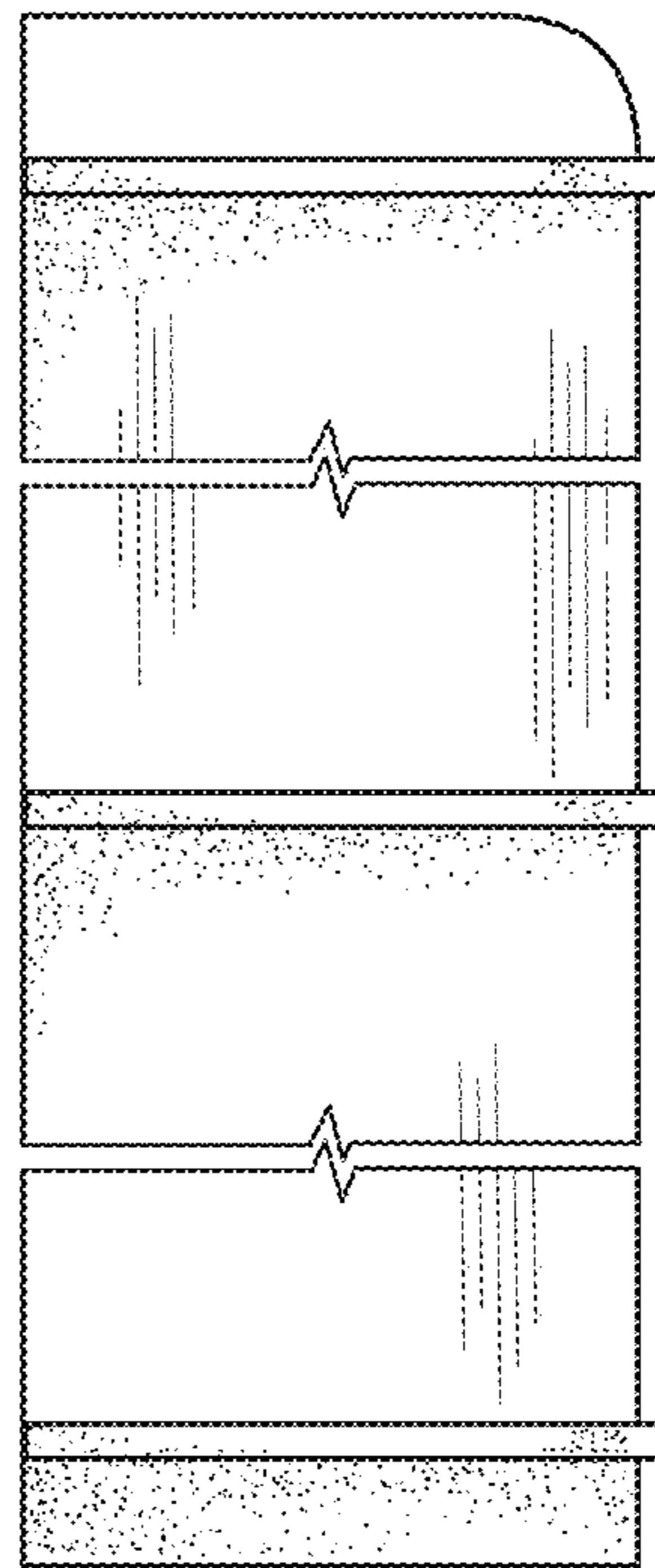
*Fig. 19*

*Fig. 20*

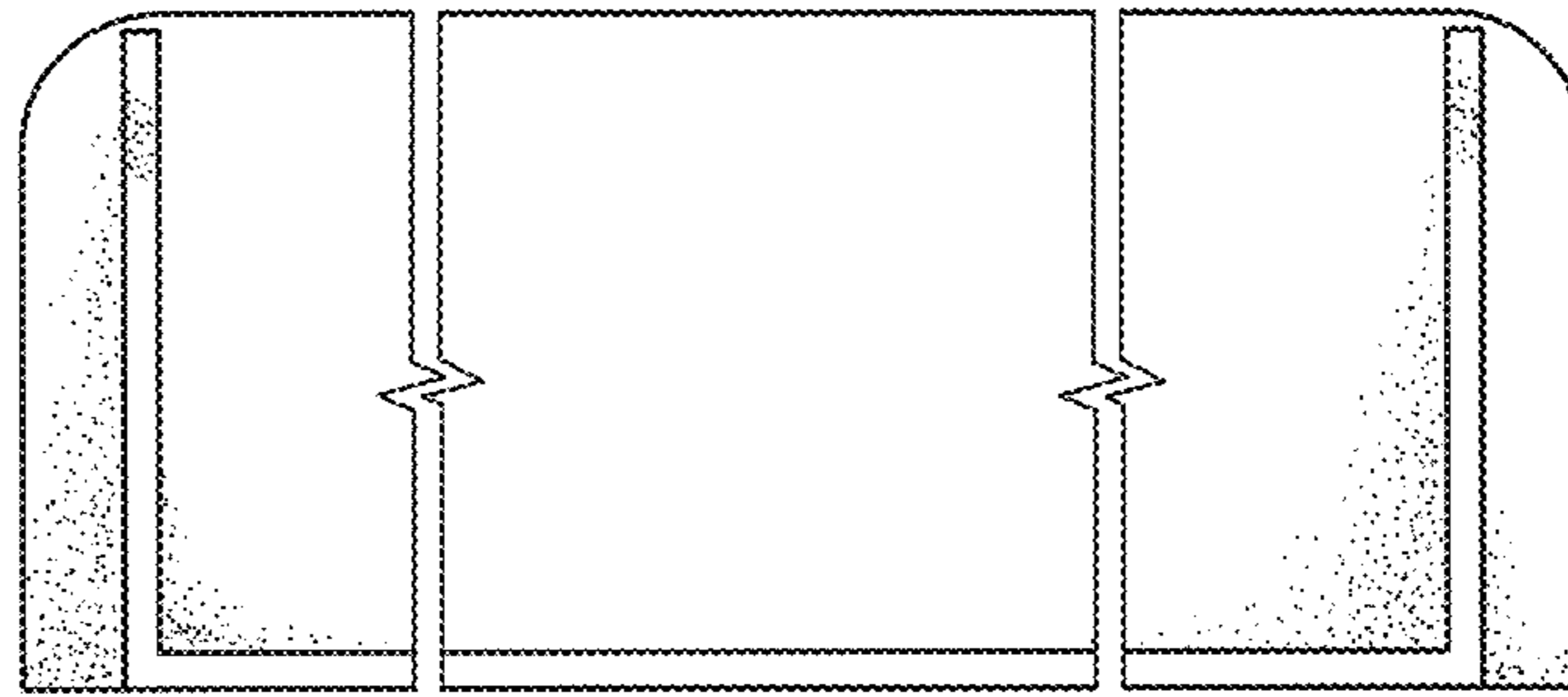




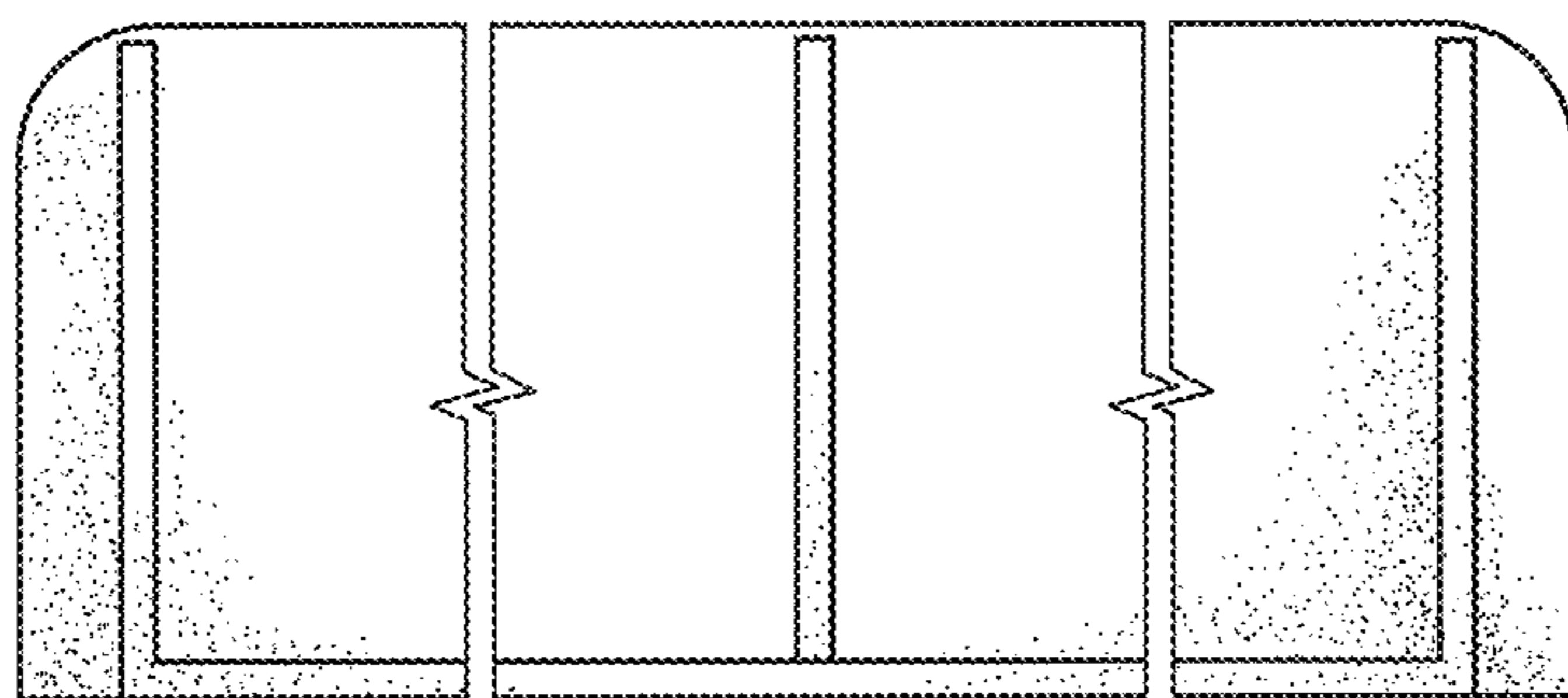
*Fig. 21*



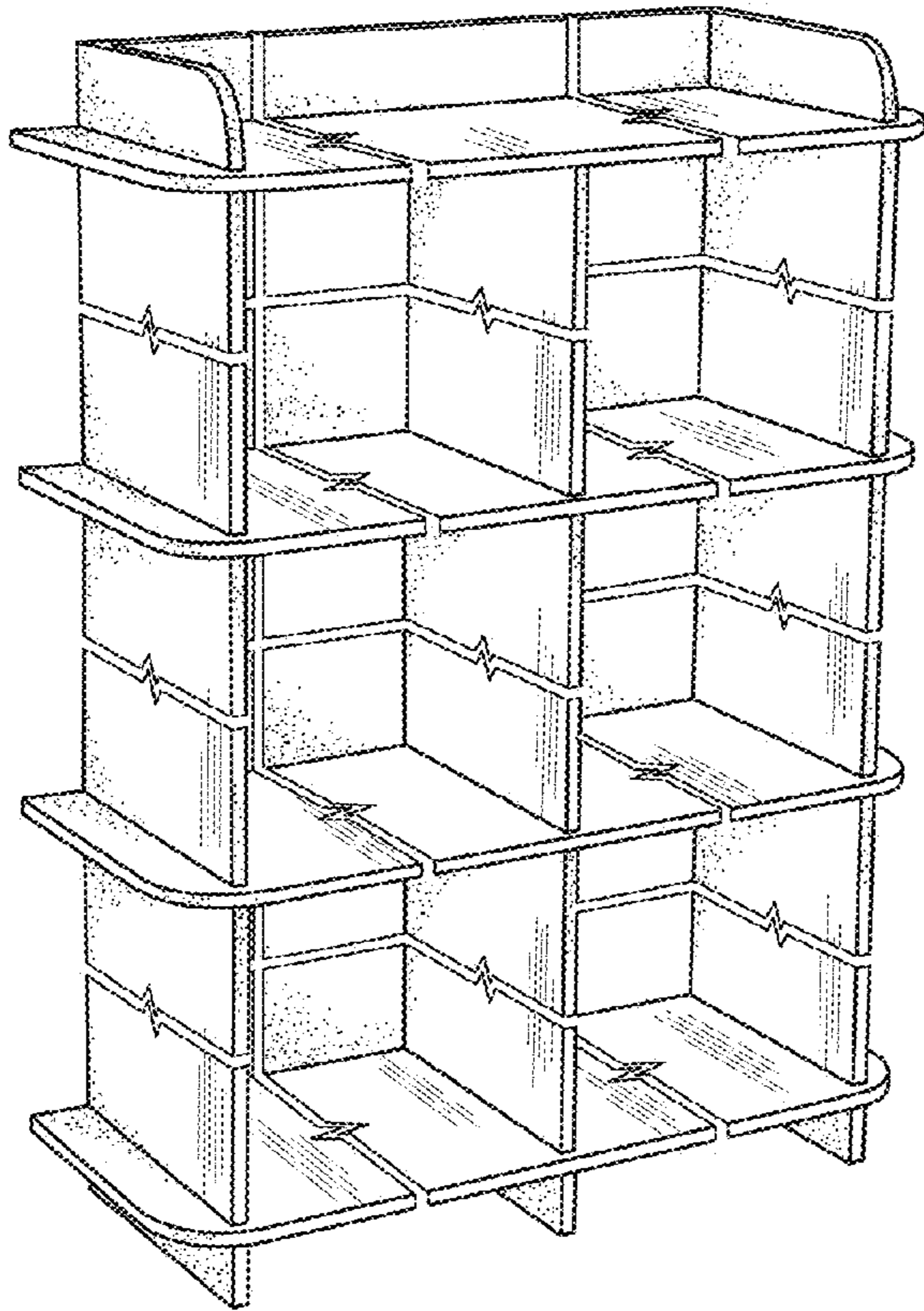
*Fig. 22*



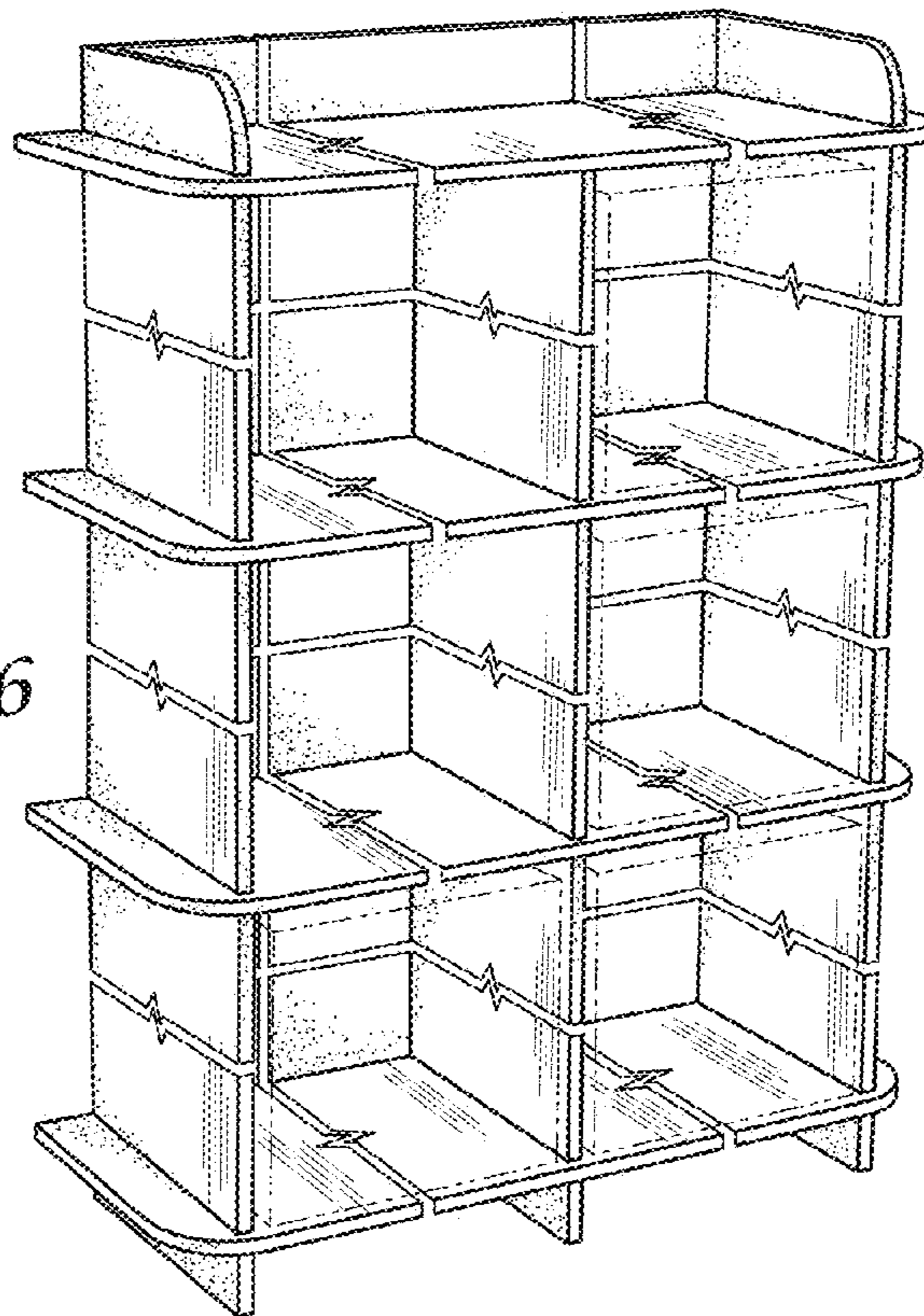
*Fig. 23*



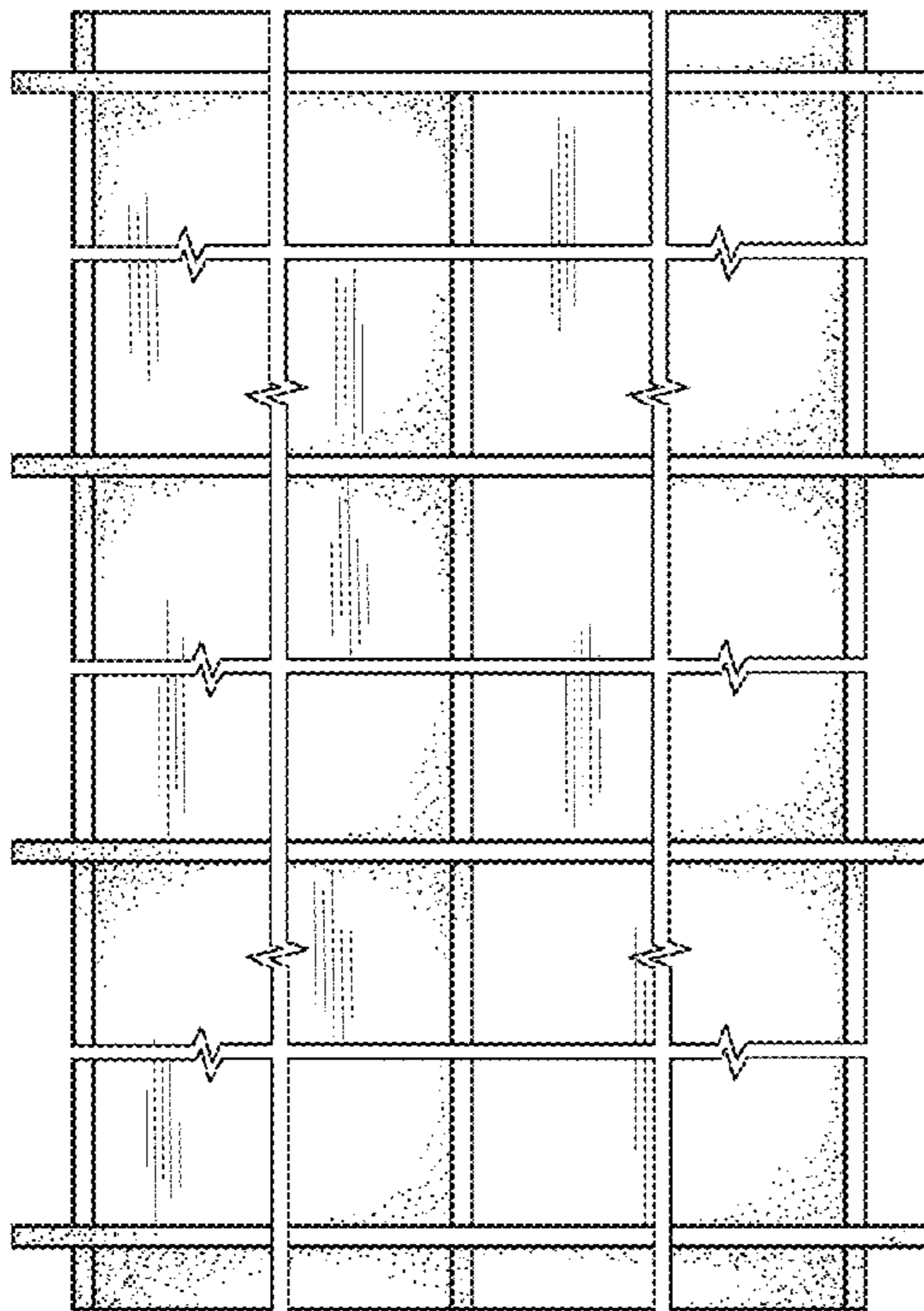
*Fig. 24*



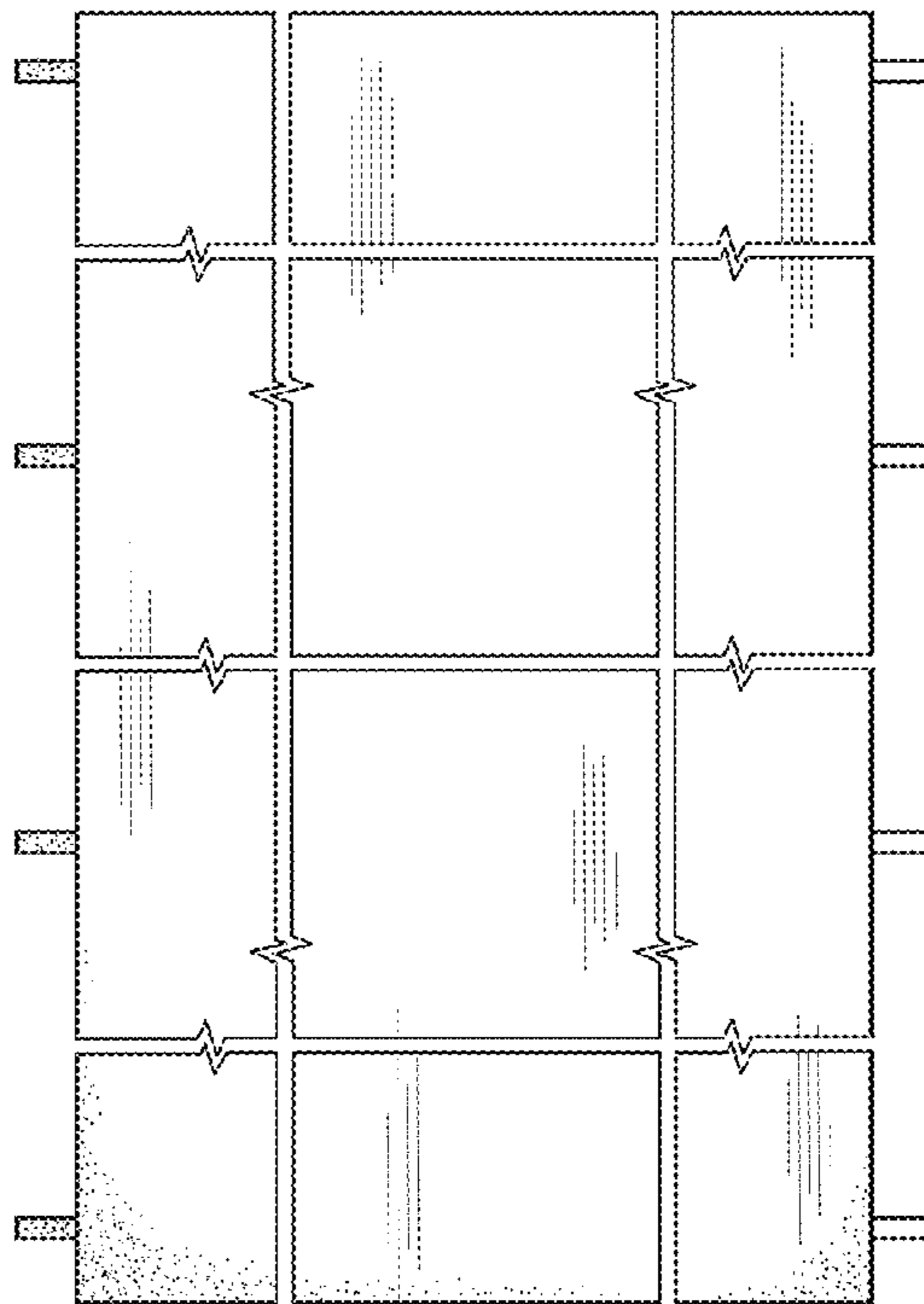
*Fig. 25*



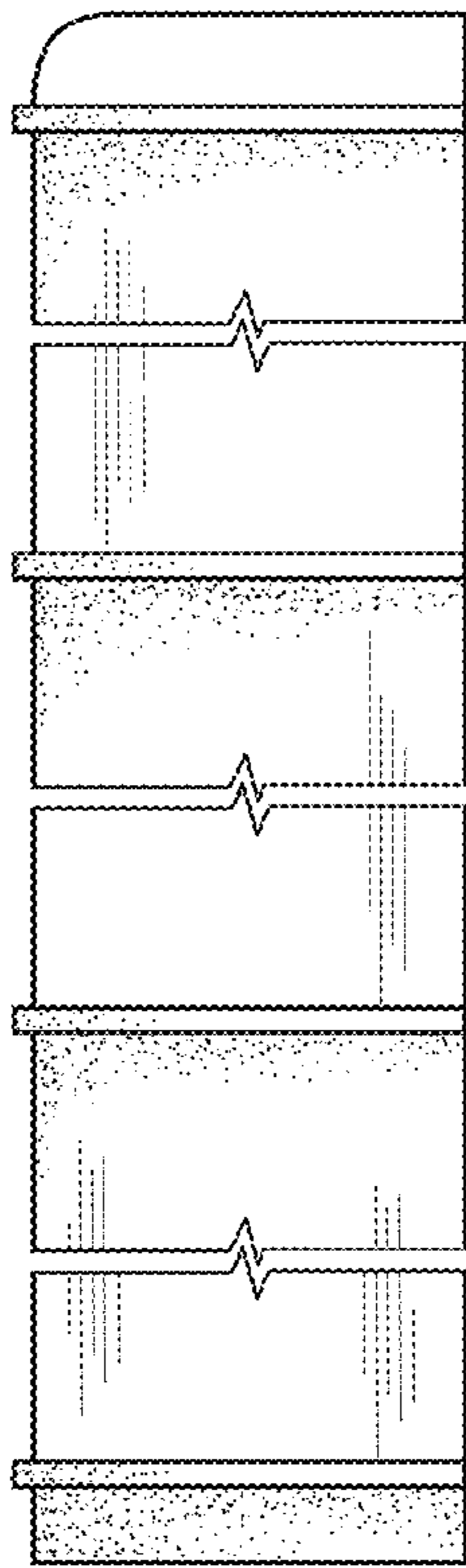
*Fig. 26*



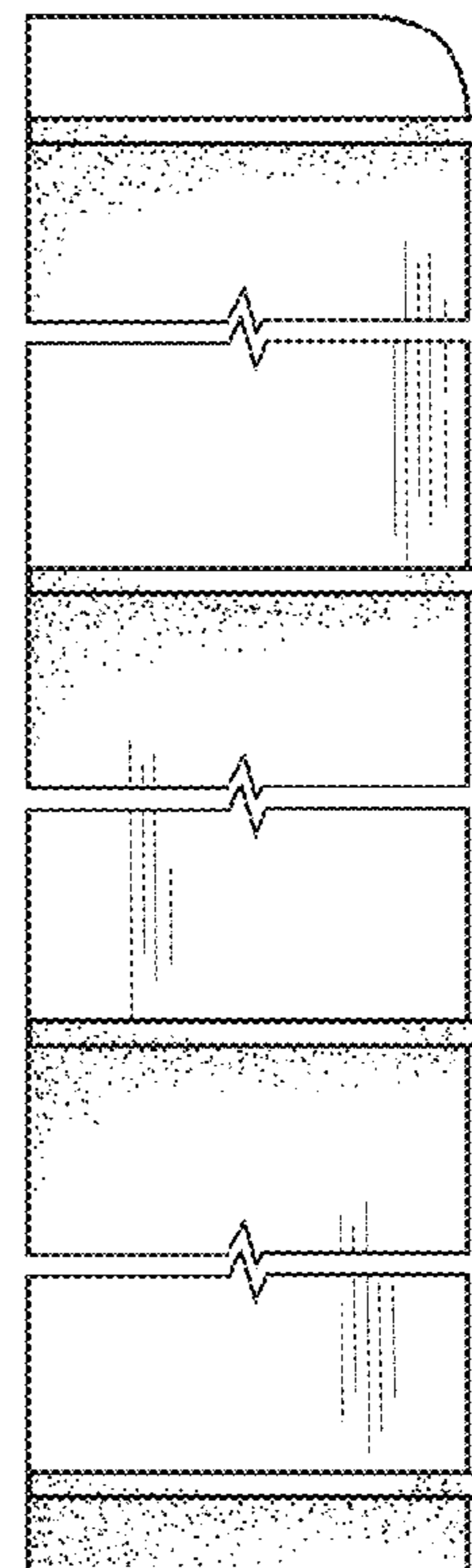
*Fig. 27*



*Fig. 28*

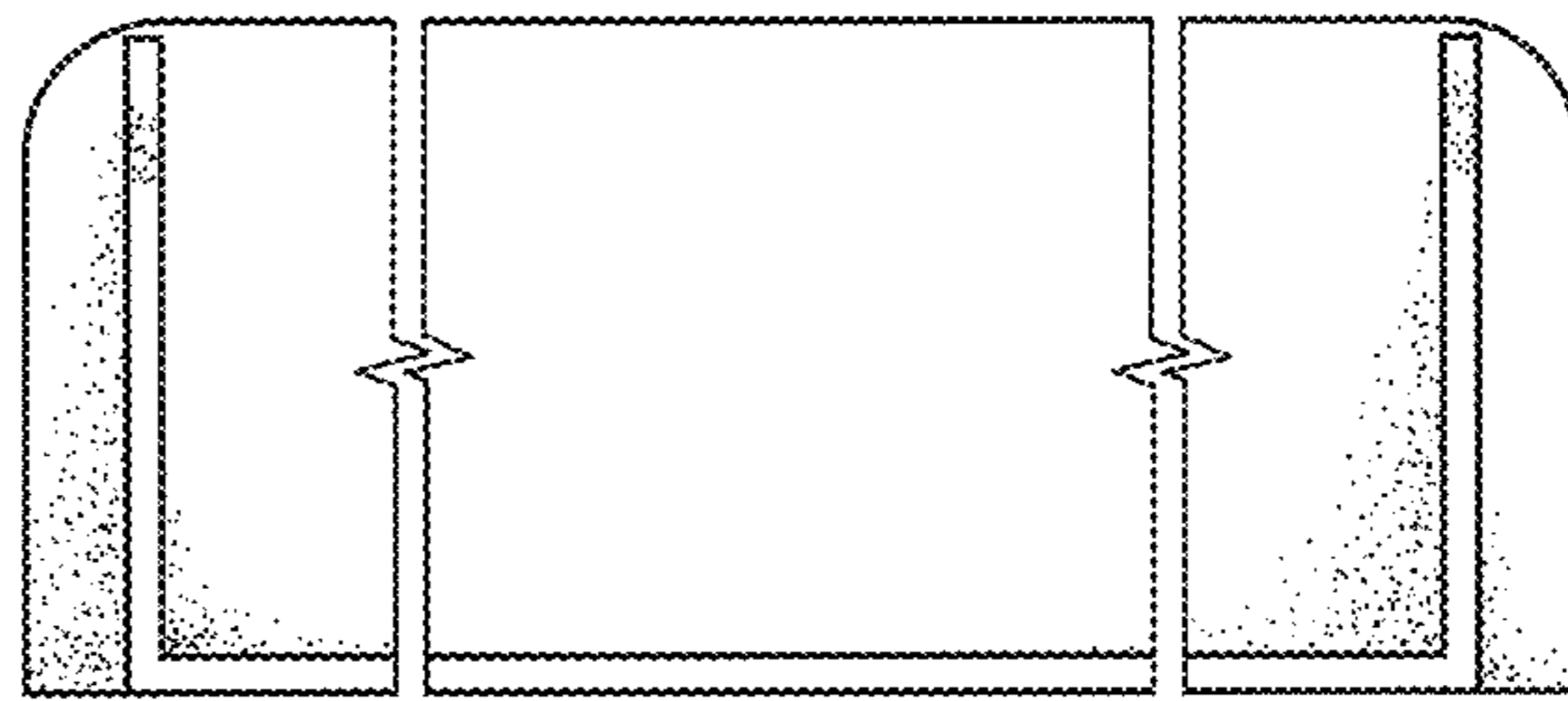


*Fig. 29*

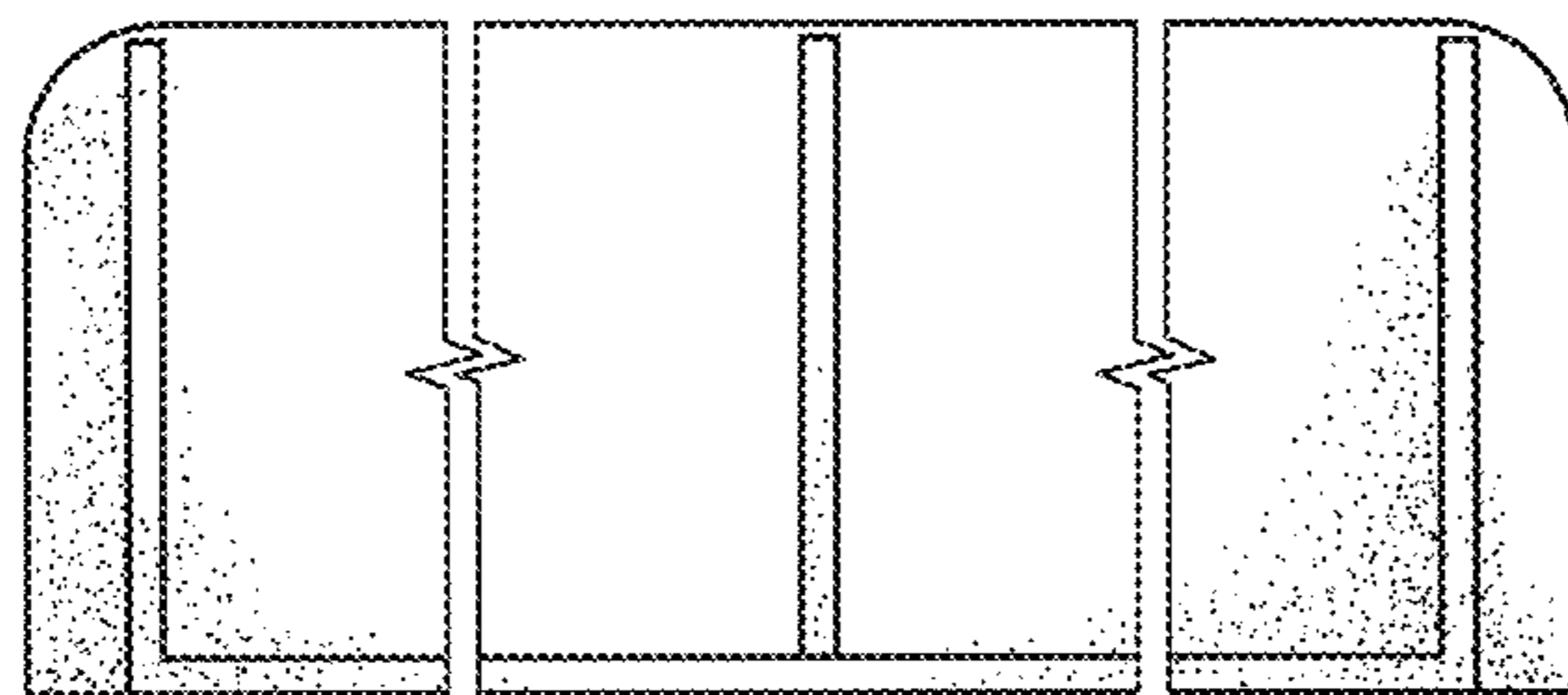


*Fig. 30*





*Fig. 31*



*Fig. 32*