



US00D748415S

(12) **United States Design Patent**
De Roeck

(10) **Patent No.:** **US D748,415 S**

(45) **Date of Patent:** **** Feb. 2, 2016**

- (54) **STORAGE UNIT**
- (71) Applicant: **The Chillafish Company N.V., Antwerp (BE)**
- (72) Inventor: **Sebastian De Roeck, Westmalle (BE)**
- (73) Assignee: **The Chillafish Company N.V., Antwerp (BE)**
- (**) Term: **14 Years**
- (21) Appl. No.: **29/487,683**
- (22) Filed: **Apr. 10, 2014**
- (30) **Foreign Application Priority Data**
 - Oct. 11, 2013 (EM) 002324699-0001
- (51) **LOC (10) Cl.** **06-06**
- (52) **U.S. Cl.**
USPC **D6/675**
- (58) **Field of Classification Search**
USPC D6/335-336, 672, 673, 675, 702, 512;
D34/12, 14, 27
CPC B65D 1/24; B65D 11/12; B65D 11/20
See application file for complete search history.

(56) **References Cited**

U.S. PATENT DOCUMENTS

- D167,622 S * 9/1952 Erickson D3/312
- 3,430,588 A * 3/1969 Heyer A47C 3/04
108/91
- D286,416 S * 10/1986 Kassai D21/499
- 4,744,780 A * 5/1988 Volpe A63H 33/086
403/300
- D298,707 S * 11/1988 Knight D6/675
- D337,668 S * 7/1993 van der Molen D6/407
- D343,427 S * 1/1994 Sher 446/128
- D359,315 S * 6/1995 Tacey D21/499
- D368,939 S * 4/1996 Frederiksen D21/500
- D413,636 S * 9/1999 Laserna Fernandez D21/499
- D455,183 S * 4/2002 Barazani D21/499

- 6,648,715 B2 * 11/2003 Wiens A63H 33/062
446/121
- 6,679,780 B1 * 1/2004 Shih A63F 9/1204
273/156
- D487,347 S * 3/2004 Felsenthal D3/305
- D512,108 S * 11/2005 Lin D21/499
- D537,249 S * 2/2007 Shapiro D3/305
- D553,393 S * 10/2007 Cassel D6/675.1
- D555,399 S * 11/2007 Tsai D6/675.1
- D610,818 S * 3/2010 Crane D6/349
- D614,248 S * 4/2010 Pedersen D21/499
- 7,749,042 B2 * 7/2010 Fulgenzi A63H 33/06
446/108
- D630,685 S * 1/2011 Bodin D21/499
- D681,548 S * 5/2013 Zhang D13/102
- D698,869 S * 2/2014 Strzelewicz D21/499
- D702,774 S * 4/2014 Wizenberg D21/499
- D728,282 S * 5/2015 Tongue D6/675
- D736,186 S * 8/2015 Kauppila D14/225
- D738,140 S * 9/2015 Bartelmuss D6/664
- 2008/0160875 A1 * 7/2008 Leicht A63F 9/12
446/124
- 2009/0298382 A1 * 12/2009 Ochi A63H 33/086
446/121
- 2010/0210173 A1 * 8/2010 Maggiore A63H 33/062
446/125

* cited by examiner

Primary Examiner — Kelley Donnelly

(74) *Attorney, Agent, or Firm* — Banner & Witcoff, Ltd.

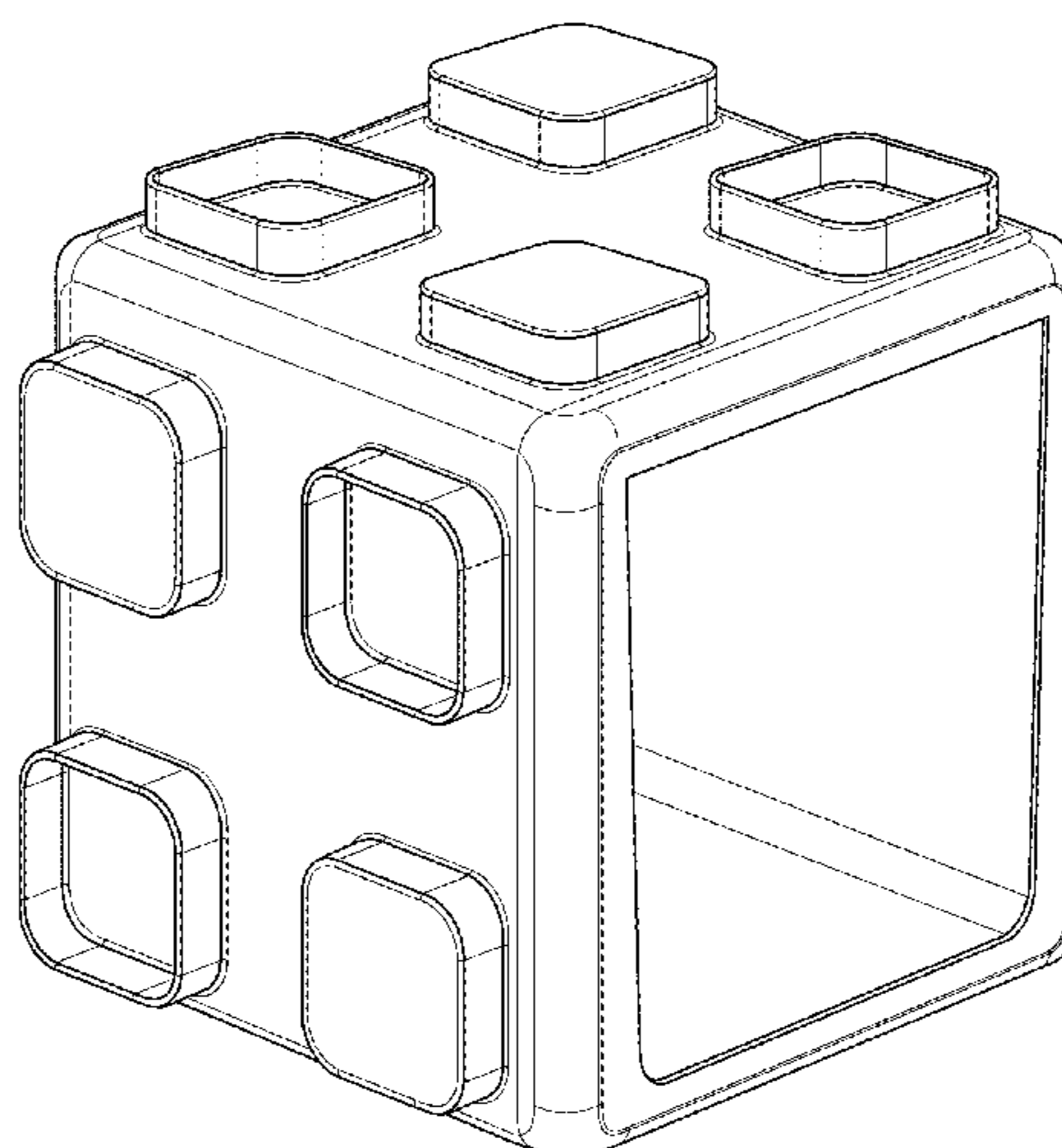
(57) **CLAIM**

The ornamental design for a storage unit, as shown and described.

DESCRIPTION

FIG. 1 is a top, front, left perspective view of a storage unit showing my new design;
 FIG. 2 is a front view thereof;
 FIG. 3 is a rear view thereof;
 FIG. 4 is a left side view thereof;
 FIG. 5 is a top view thereof; and,
 FIG. 6 is a bottom view thereof.

1 Claim, 6 Drawing Sheets



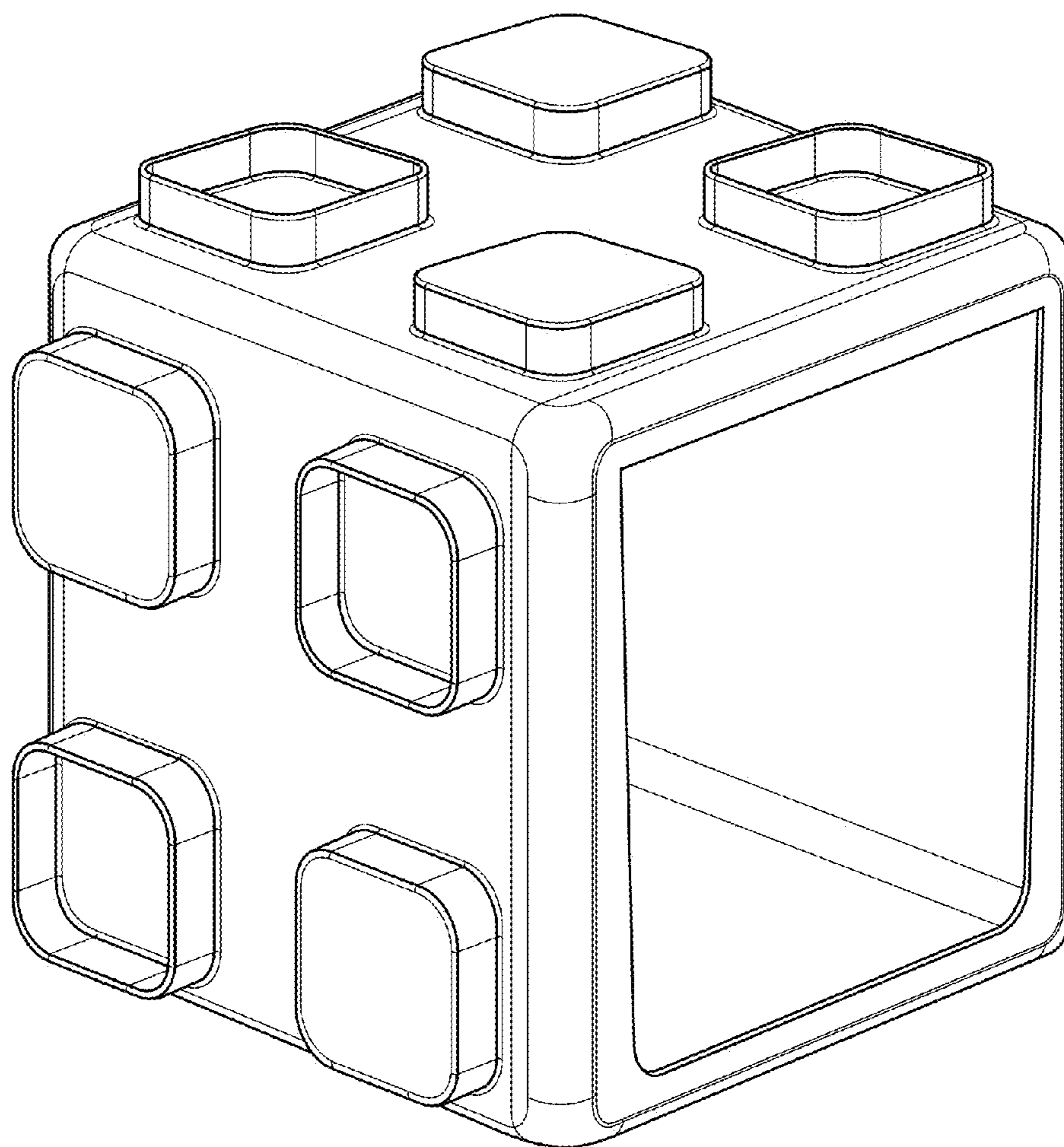


Fig. 1

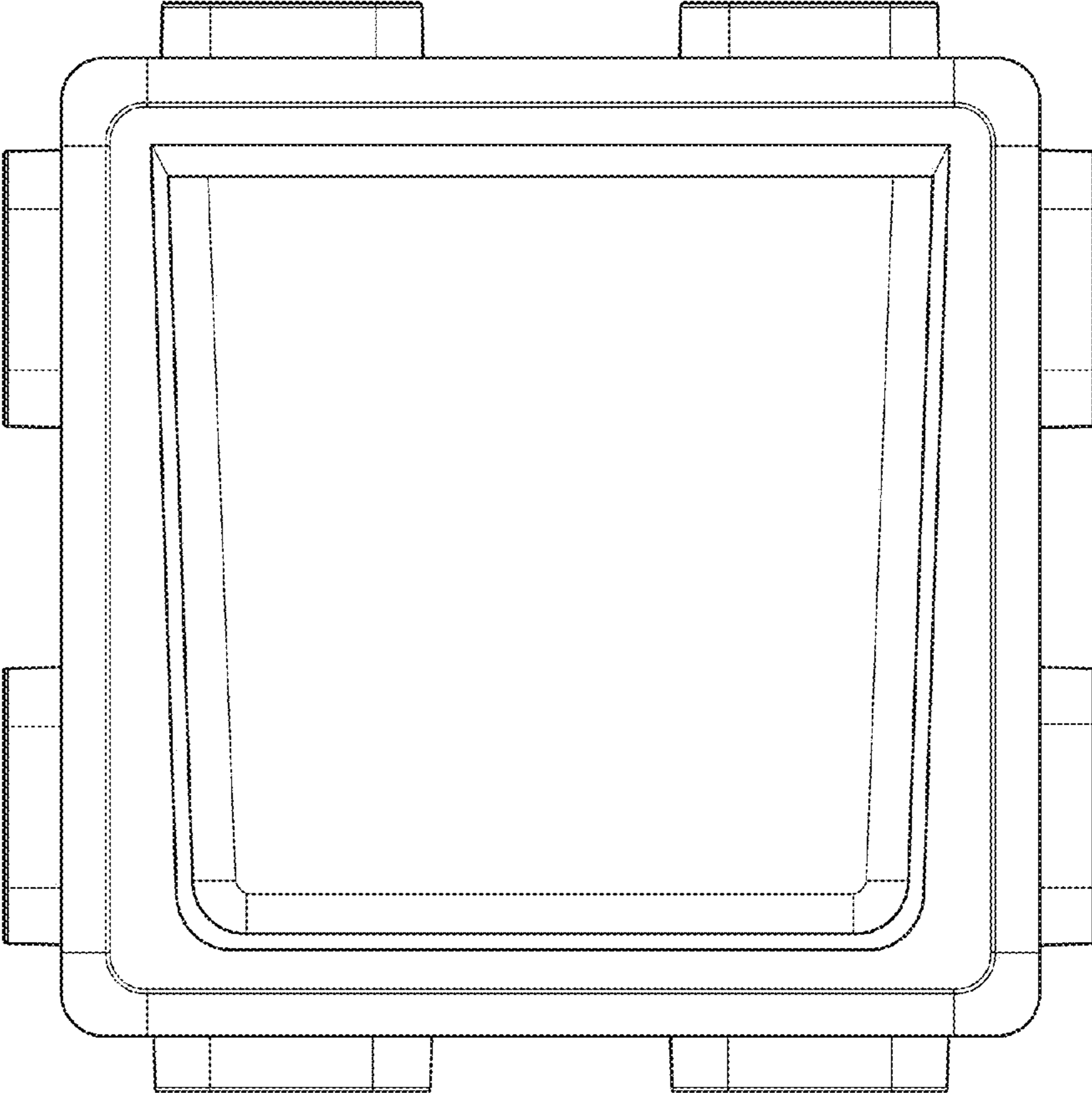


Fig. 2

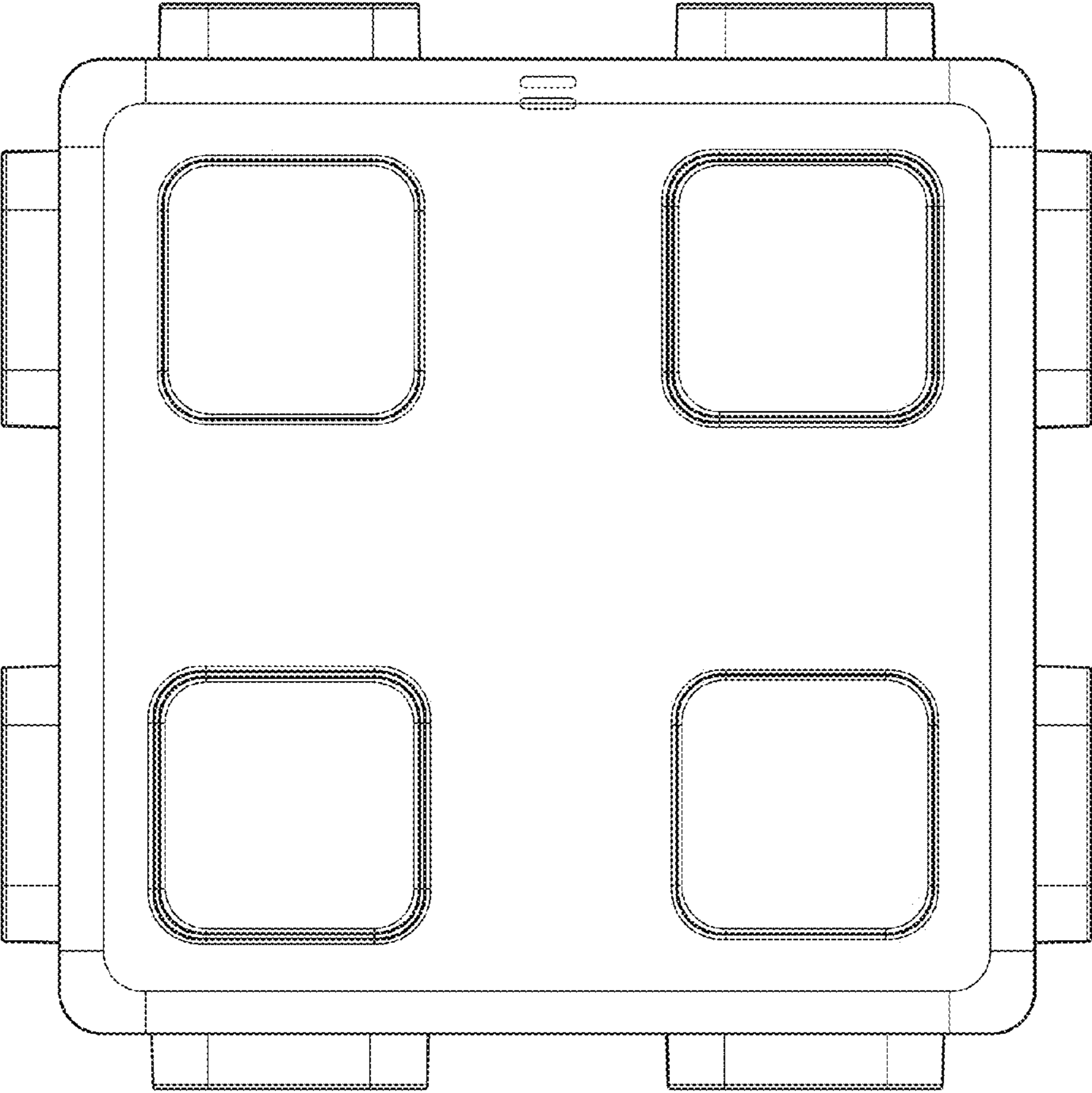


Fig. 3

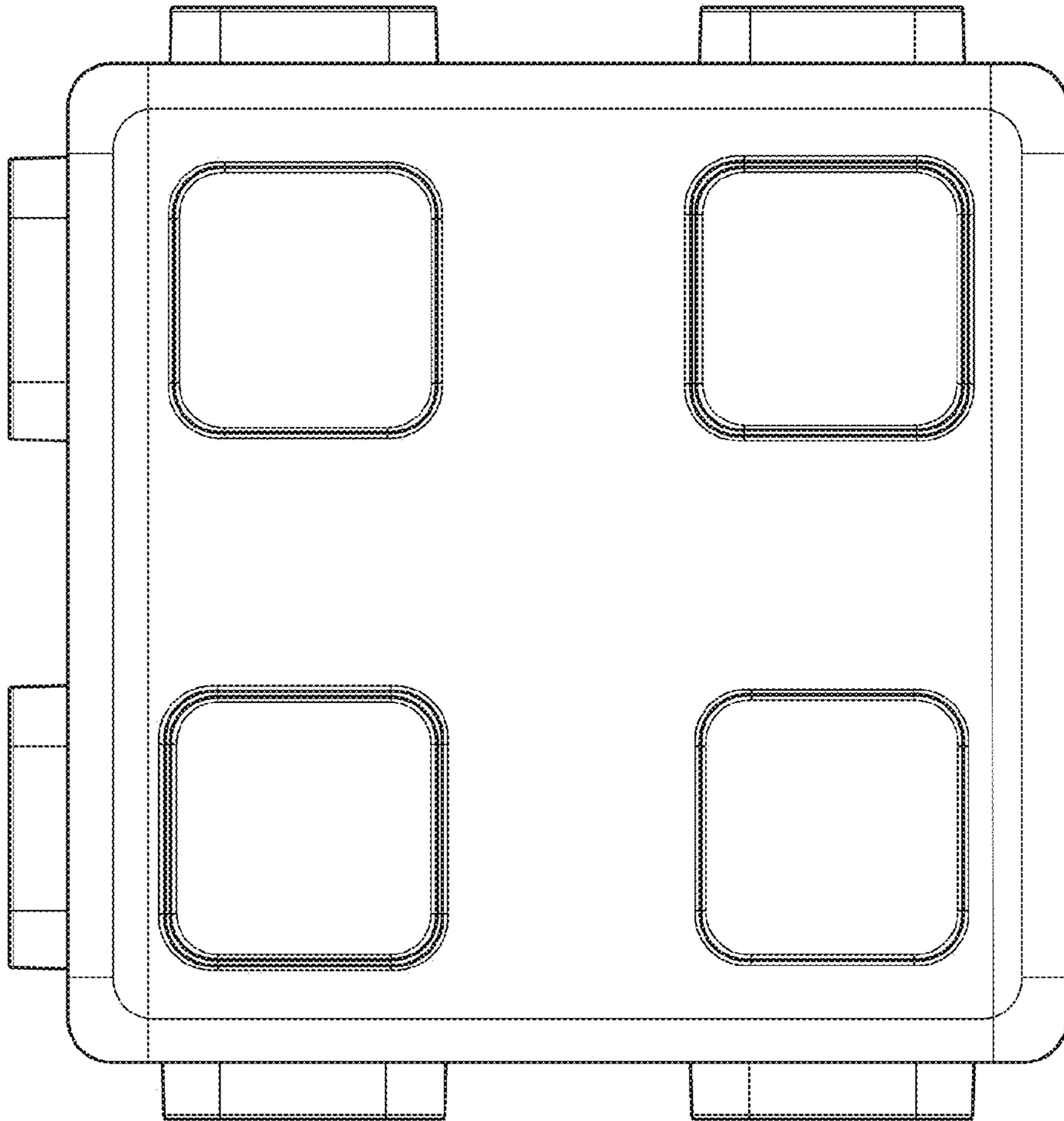


Fig. 4

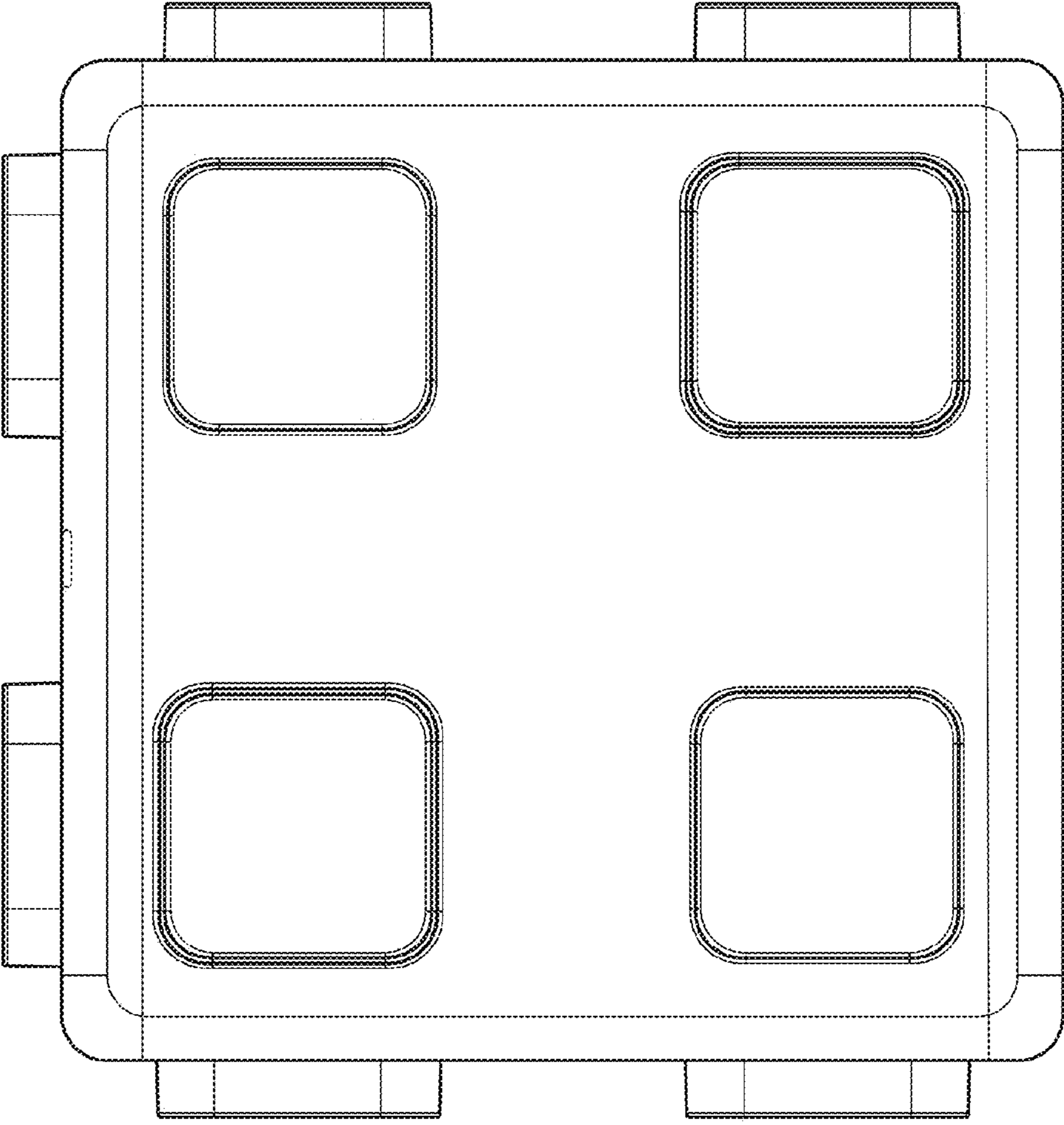


Fig. 5

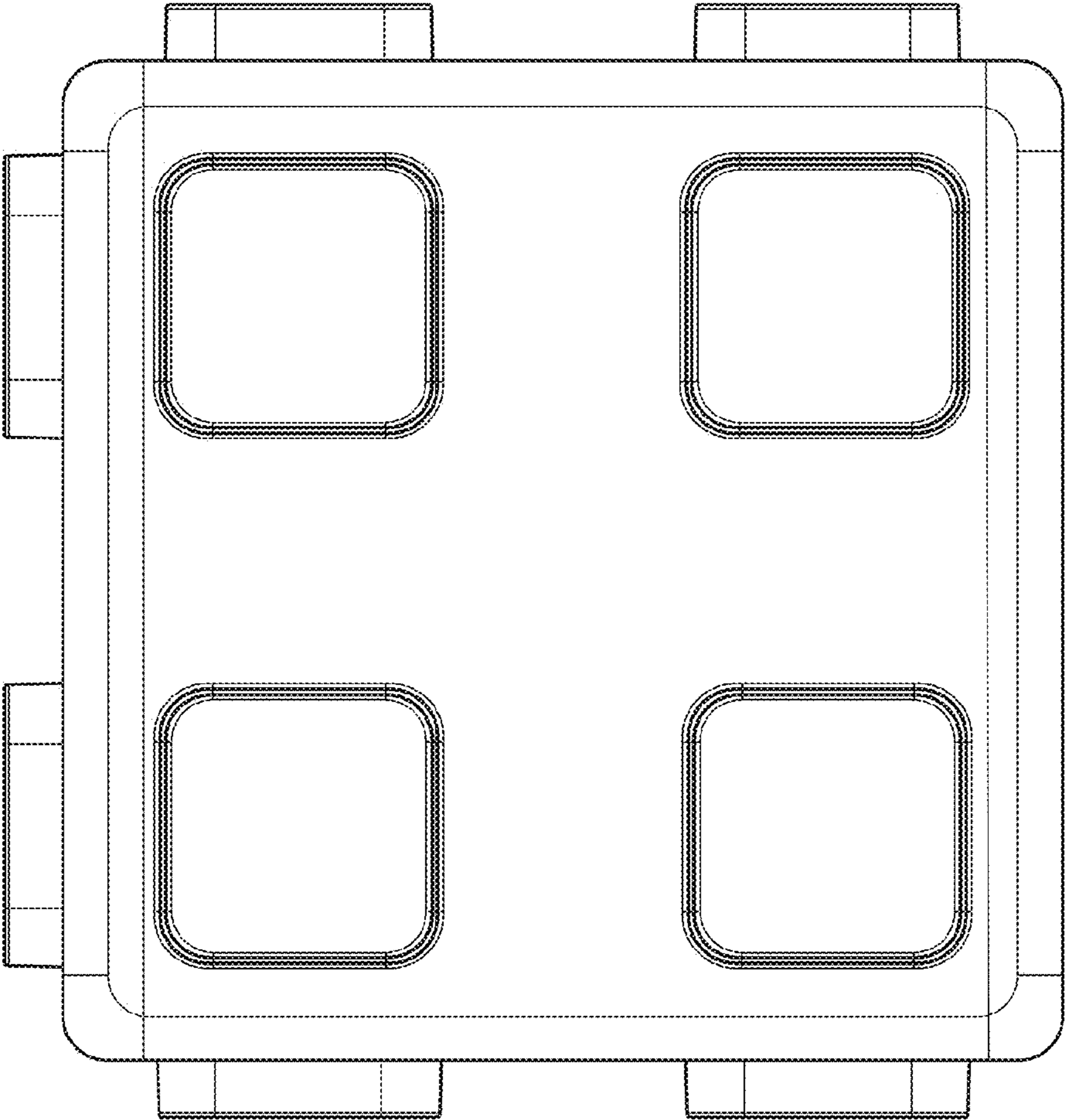


Fig. 6