



US00D748413S

(12) **United States Design Patent**
Perkins et al.

(10) **Patent No.:** **US D748,413 S**
(45) **Date of Patent:** **** Feb. 2, 2016**

(54) **BEVERAGE CABINET**
(71) Applicants: **Jill Perkins**, Fort Worth, TX (US); **Jeff Perkins**, Fort Worth, TX (US)
(72) Inventors: **Jill Perkins**, Fort Worth, TX (US); **Jeff Perkins**, Fort Worth, TX (US)
(**) Term: **15 Years**
(21) Appl. No.: **29/531,607**
(22) Filed: **Jun. 26, 2015**

2,677,250 A * 5/1954 Alsing F25D 11/04
62/441
2,726,914 A * 12/1955 Allen F25D 2400/10
312/405
2,756,570 A * 7/1956 Gale F25D 31/007
312/36
2,767,039 A * 10/1956 Danna, Jr. F25D 25/00
312/311
D197,679 S * 3/1964 Cornelius D15/83
D205,545 S * 8/1966 Smith D15/83
D209,292 S * 11/1967 Ungaro D6/667
4,194,647 A * 3/1980 Spurrier F25D 25/00
221/197
D299,391 S * 1/1989 Meehan D15/83
4,917,256 A * 4/1990 Kruck F25D 19/00
206/545
D652,434 S * 1/2012 Sun D15/83
D672,793 S * 12/2012 Tang D15/83
D732,857 S * 6/2015 Perkins D6/667

Related U.S. Application Data

(63) Continuation of application No. 29/501,047, filed on Aug. 29, 2014, now Pat. No. Des. 732,857.
(51) **LOC (10) Cl.** **06-04**
(52) **U.S. Cl.**
USPC **D6/667**
(58) **Field of Classification Search**
USPC D6/663, 667, 668, 668.1, 671; D15/83;
D34/19
CPC A47F 3/005; A47B 17/04; A47B 47/03;
F25D 2400/12; F25D 2400/10; F25D 25/00;
F25D 31/007; F25D 11/02; F25D 11/04;
F25D 19/00
See application file for complete search history.

* cited by examiner

Primary Examiner — Mimosa De
(74) *Attorney, Agent, or Firm* — Fulwider Patton LLP

(57) **CLAIM**

The ornamental design for an beverage cabinet, as shown and described.

DESCRIPTION

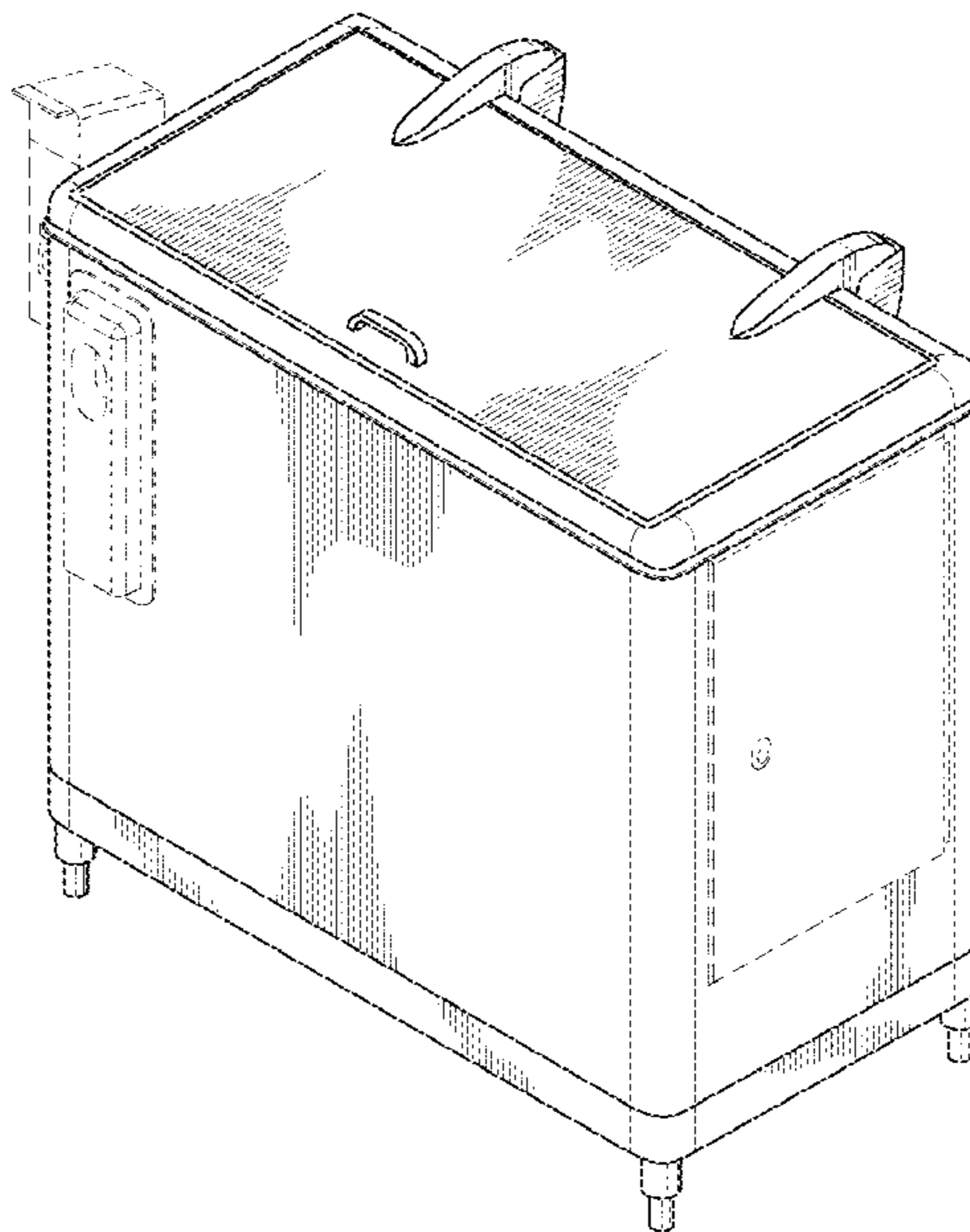
FIG. 1 is a perspective view of the beverage cabinet;
FIG. 2 is a front view of the beverage cabinet;
FIG. 3 is a rear view of the beverage cabinet;
FIG. 4 is a left side view of the beverage cabinet;
FIG. 5 is a right side view of the beverage cabinet; and,
FIG. 6 is a top view of the beverage cabinet.
Broken lines appearing in the drawings are intended to be for illustrative purposes only and form no part of the claimed design.

(56) **References Cited**

U.S. PATENT DOCUMENTS

D103,074 S * 2/1937 Morgan D6/671
D117,837 S * 11/1939 Tuttle 312/297
2,420,971 A * 5/1947 Peltier F25D 11/02
62/287
D162,783 S * 4/1951 Budny et al. D34/19

1 Claim, 6 Drawing Sheets



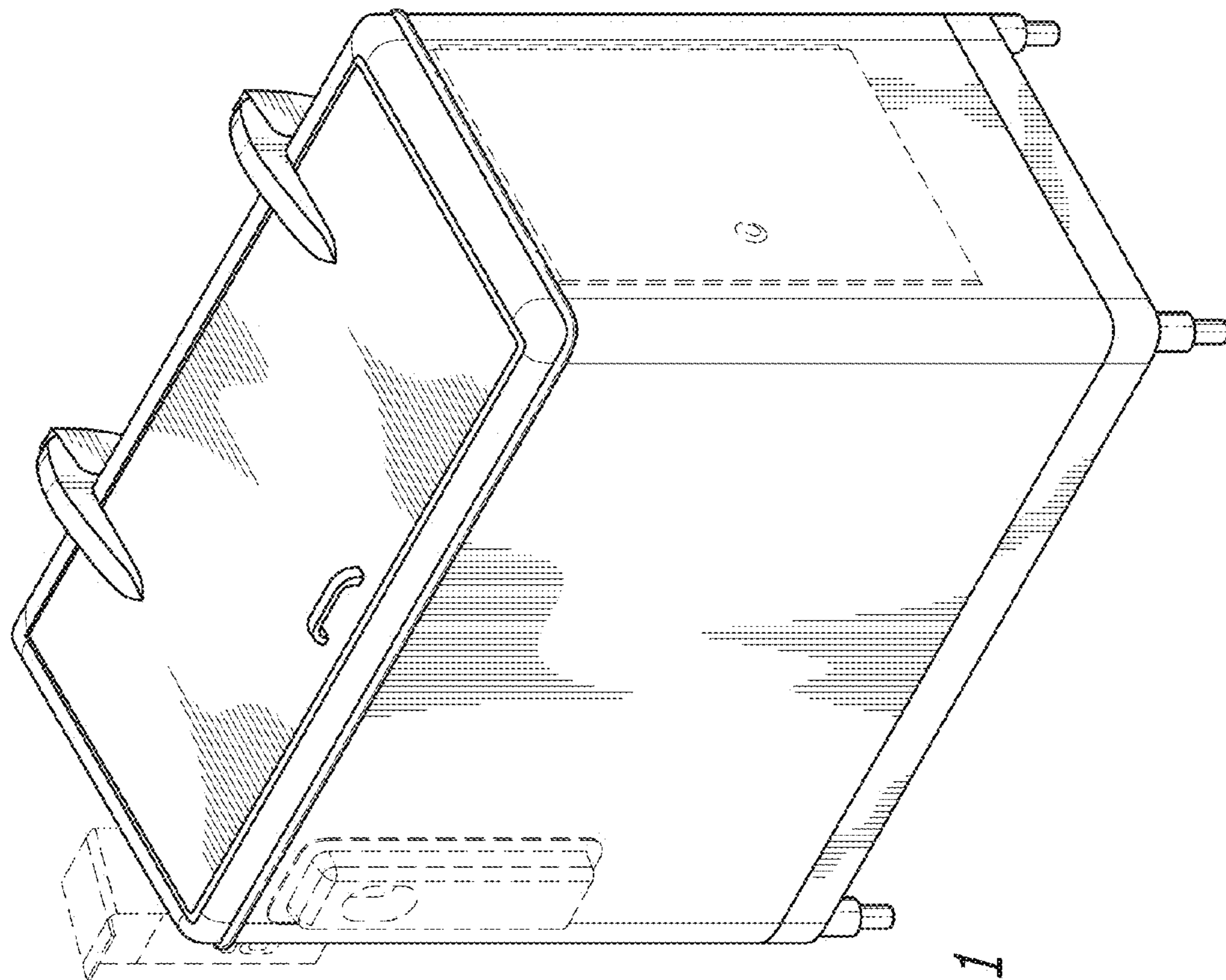


FIG. 1

FIG. 2

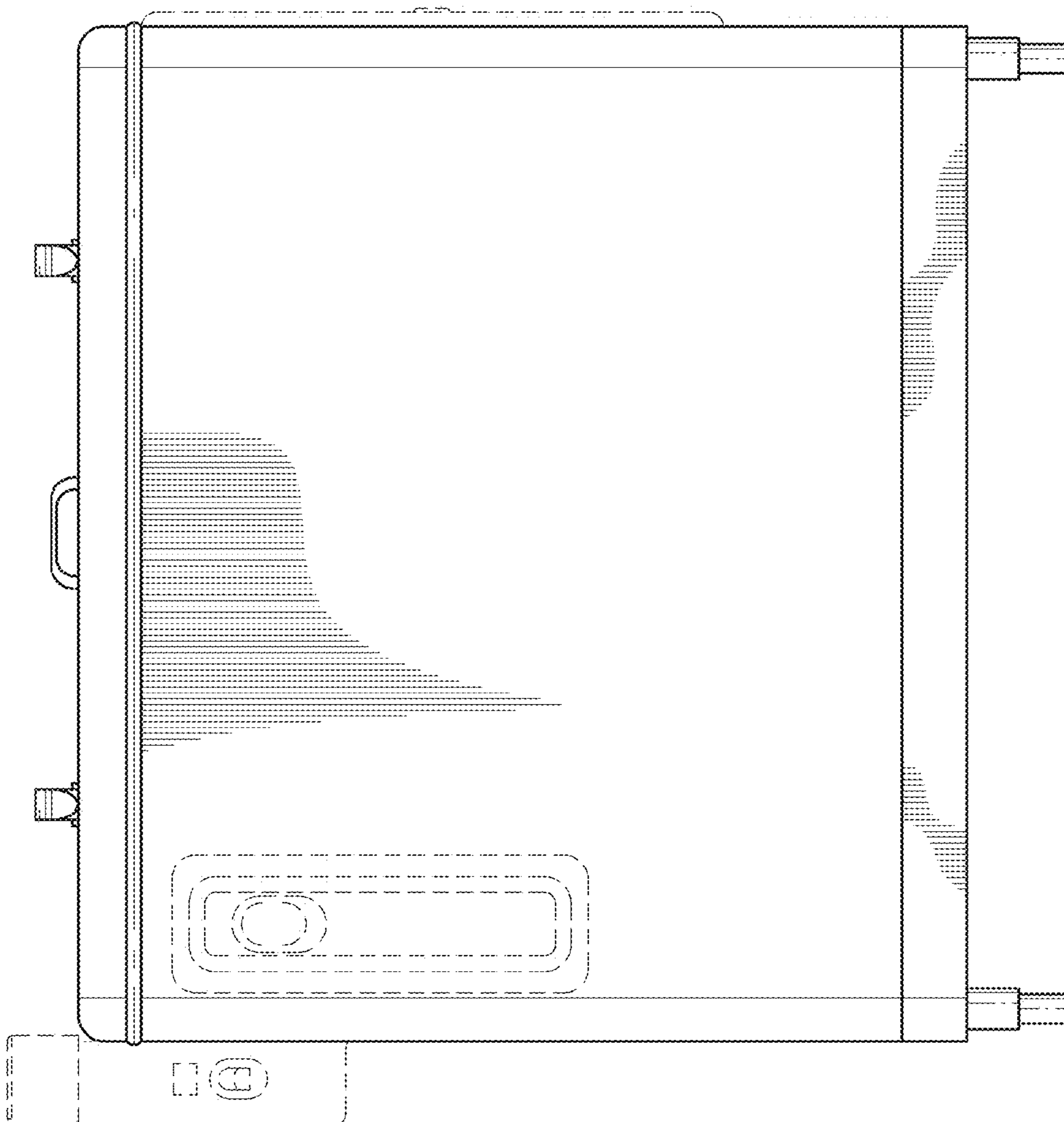
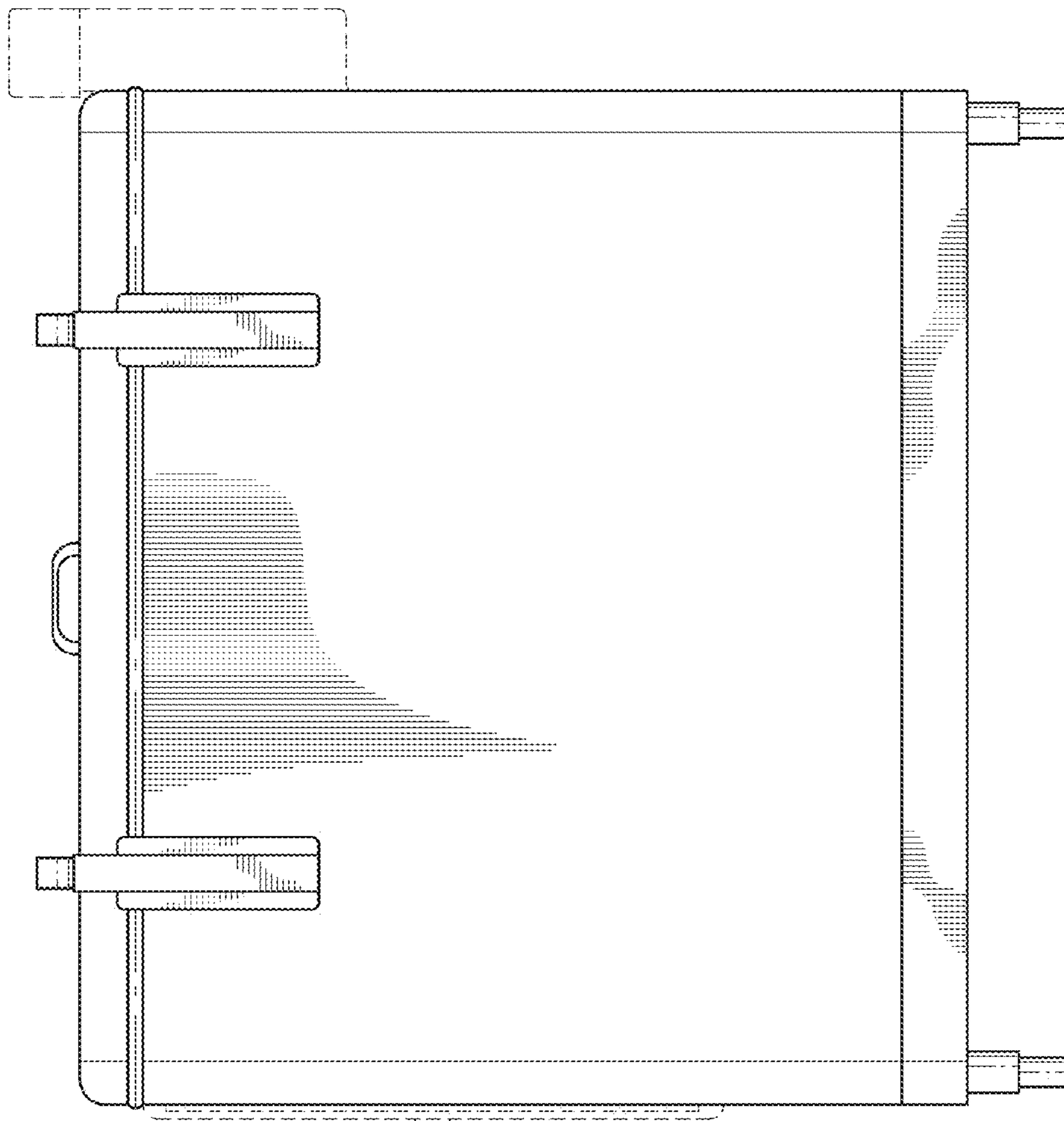


FIG. 3



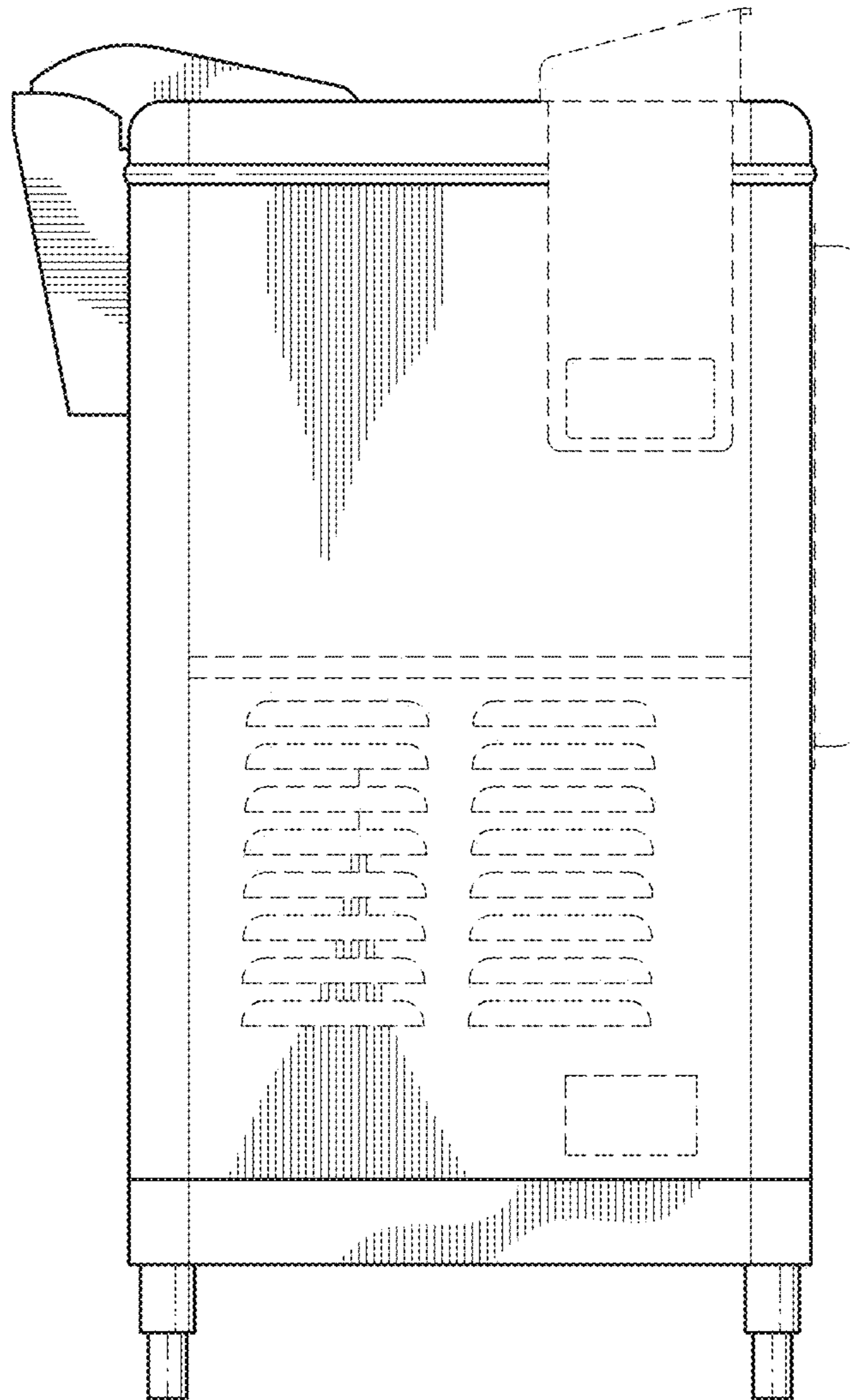


FIG. 4

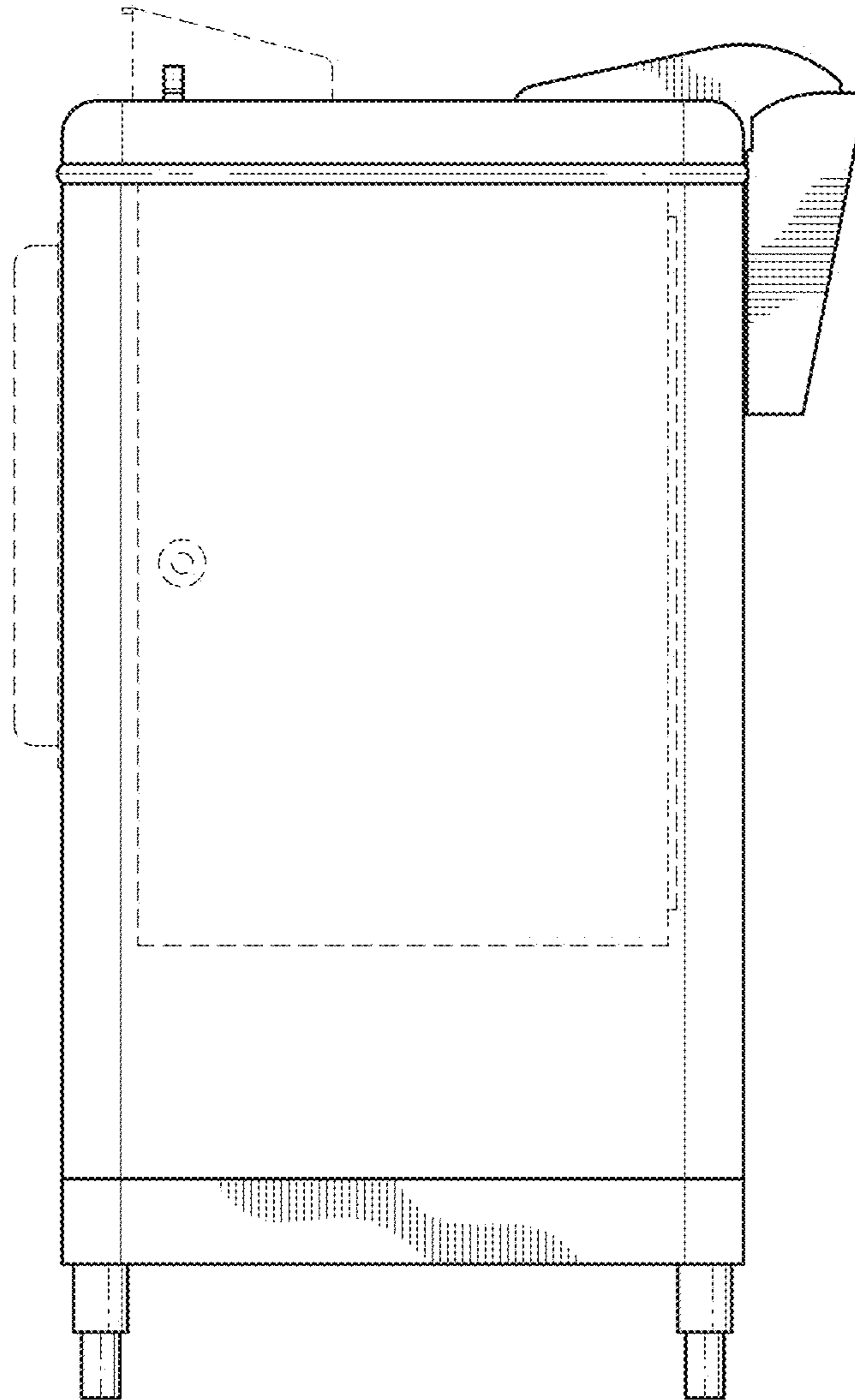


FIG. 5

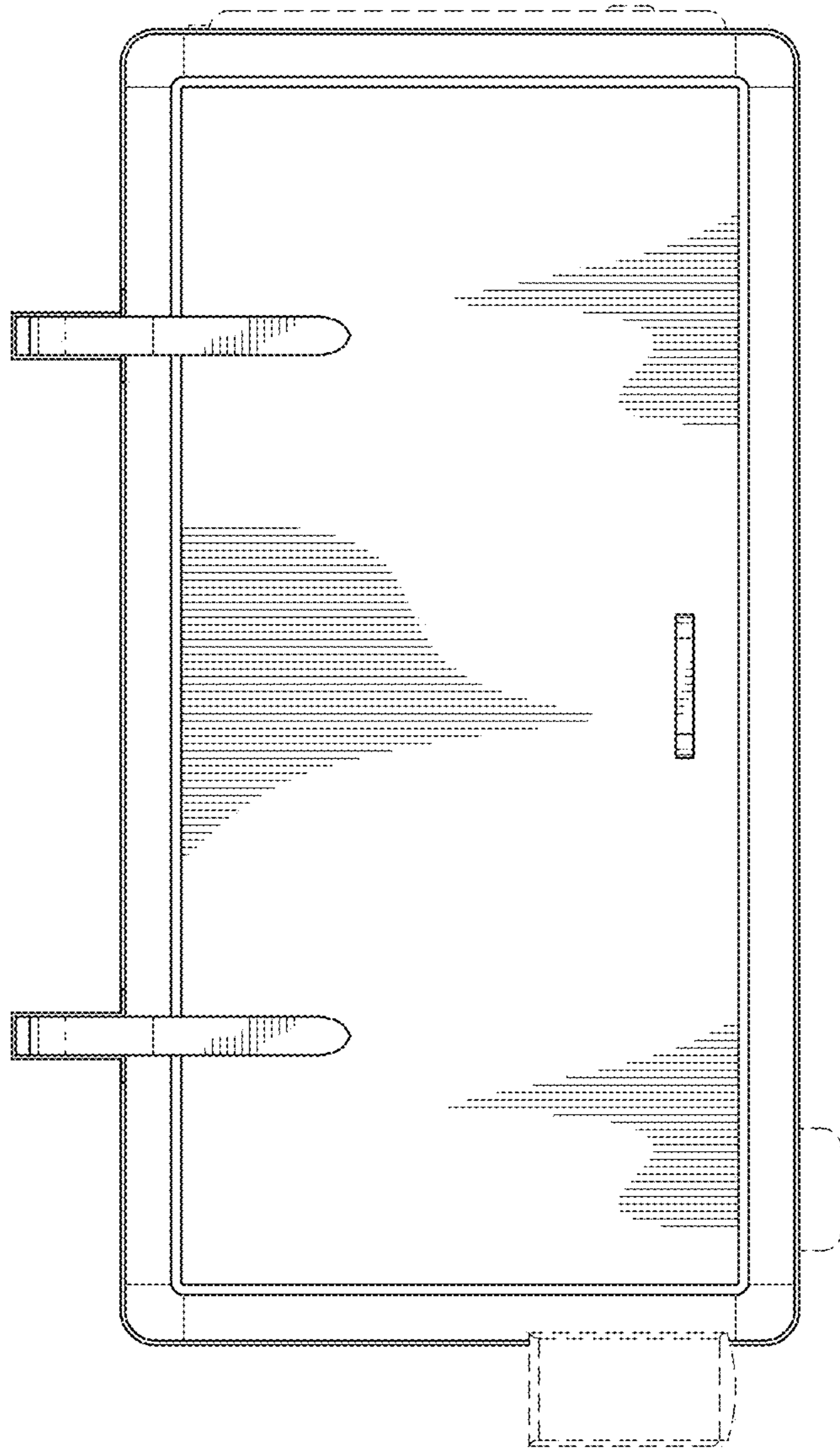


FIG. 6