



US00D748410S

(12) **United States Design Patent**
Marocco

(10) **Patent No.:** **US D748,410 S**
(45) **Date of Patent:** **** Feb. 2, 2016**

- (54) **DOUBLE BLIND**
- (71) Applicant: **Mario M. Marocco**, Toronto (CA)
- (72) Inventor: **Mario M. Marocco**, Toronto (CA)
- (**) Term: **14 Years**
- (21) Appl. No.: **29/474,855**
- (22) Filed: **Feb. 27, 2015**

Related U.S. Application Data

- (63) Continuation-in-part of application No. 13/506,714, filed on May 11, 2012, now Pat. No. 9,062,493, and a continuation-in-part of application No. 13/506,538, filed on Apr. 26, 2012, now Pat. No. 9,004,142, and a continuation-in-part of application No. 13/374,952, filed on Jan. 25, 2012, now Pat. No. 8,857,495, and a continuation-in-part of application No. 13/067,189, filed on May 16, 2011, now Pat. No. 8,807,192.

- (51) **LOC (10) Cl.** **06-10**
- (52) **U.S. Cl.**
USPC **D6/577**
- (58) **Field of Classification Search**
USPC D6/575-581; D8/353, 369, 376, 377
CPC E06B 9/262; E06B 9/264; E06B 9/54;
E06B 9/324; E06B 9/0623; E06B 3/44;
E06B 3/94; E06B 3/481; E05Y 2900/106;
E04F 10/10
See application file for complete search history.

(56) **References Cited**

U.S. PATENT DOCUMENTS

| | | | | |
|----------------|---------|---------------|-------|-------------------------|
| D493,650 S | 8/2004 | Tuzmen | | D6/575 |
| 6,792,994 B2 * | 9/2004 | Lin | | E06B 9/262 160/84.03 |
| D518,988 S | 4/2006 | Strand et al. | | D6/575 |
| 7,059,377 B2 * | 6/2006 | Nien | | E06B 9/42 160/120 |
| 7,117,919 B2 | 10/2006 | Judkins | | 160/170 |

| | | | | |
|-------------------|---------|----------------|-------|-------------------------|
| 7,143,802 B2 | 12/2006 | Strand et al. | | 160/84.04 |
| 7,578,334 B2 * | 8/2009 | Smith | | E06B 9/262 160/121.1 |
| D636,204 S | 4/2011 | Elinson et al. | | D6/575 |
| D640,472 S * | 6/2011 | Colson | | D5/7 |
| D646,516 S * | 10/2011 | Ehrsam | | D6/575 |
| D659,455 S * | 5/2012 | Marocco | | D6/575 |
| 8,607,838 B2 * | 12/2013 | Colson | | E06B 9/262 160/121.1 |
| 9,062,493 B2 * | 6/2015 | Marocco | | E06B 9/40 |
| 2005/0087309 A1 * | 4/2005 | Nien | | E06B 9/42 160/120 |
| 2005/0155721 A1 * | 7/2005 | Pon | | E06B 9/262 160/84.01 |
| 2011/0126380 A1 * | 6/2011 | Cheng | | E06B 9/262 24/132 R |
| 2011/0198046 A1 * | 8/2011 | Cheng | | E06B 9/262 160/405 |
| 2012/0291965 A1 * | 11/2012 | Marocco | | E06B 9/40 160/120 |
| 2014/0014261 A1 * | 1/2014 | Chen | | E06B 9/262 156/227 |
| 2015/0047791 A1 * | 2/2015 | Lin | | E06B 9/384 160/84.04 |

* cited by examiner

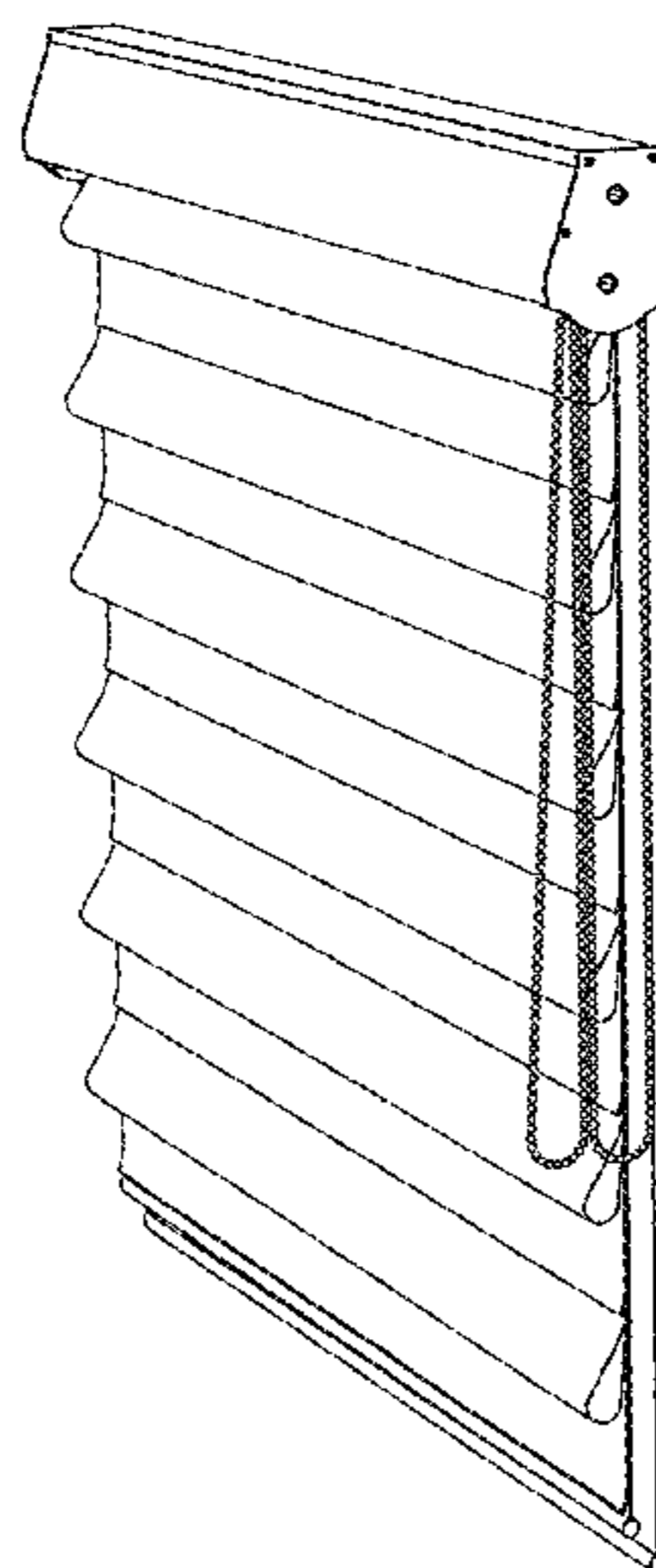
Primary Examiner — Eric Goodman
Assistant Examiner — Amy Wierenga

- (57) **CLAIM**
The ornamental design for a double blind, as shown and described.

DESCRIPTION

FIG. 1 is a perspective view of a double blind showing the said Design;
 FIG. 2 is a top plan view of the design of FIG. 1
 FIG. 3 is a front elevation of the design of FIG. 1;
 FIG. 4 is a bottom plan of the design of FIG. 1,
 FIG. 5 is a right side elevation of the design of FIG. 1,
 FIG. 6 is a rear elevation of the design of FIG. 1; and,
 FIG. 7 is a left side elevation of the design of FIG. 1.

1 Claim, 5 Drawing Sheets



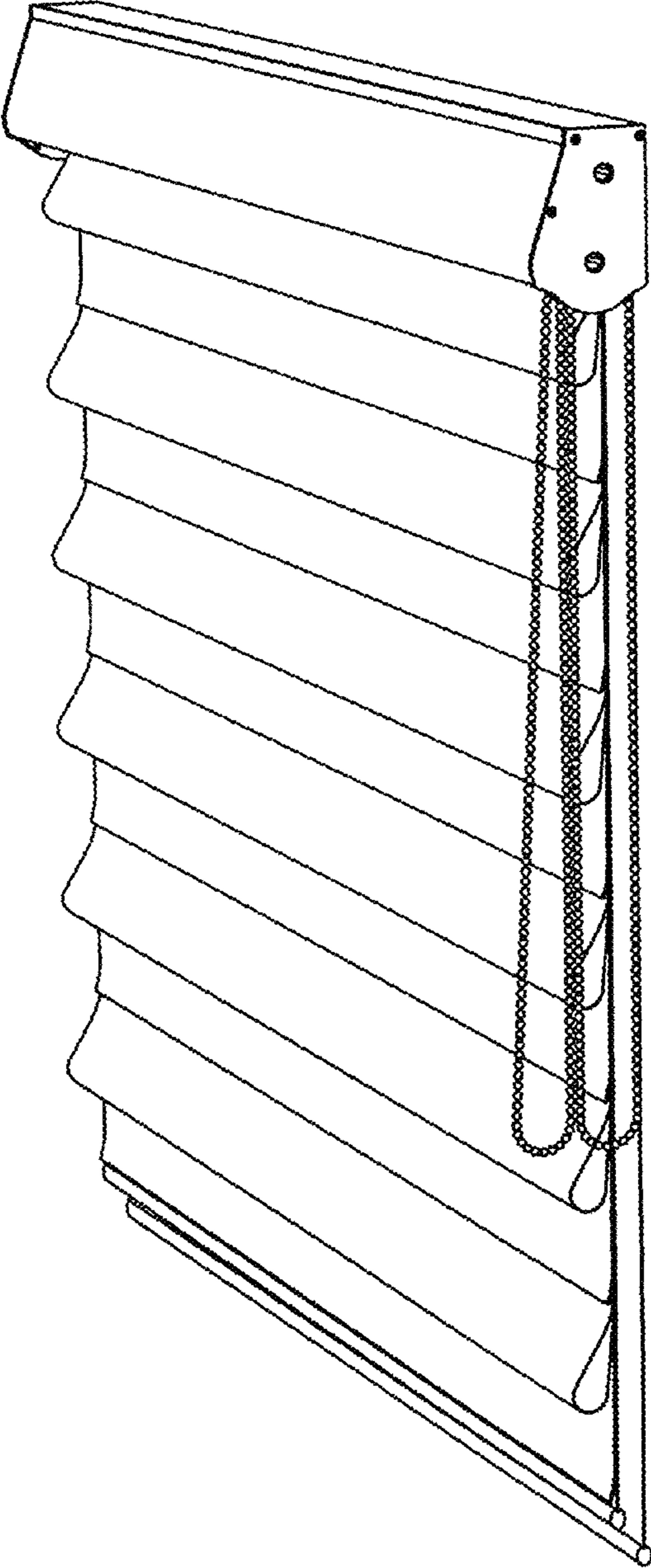


Fig. 1



Fig. 2

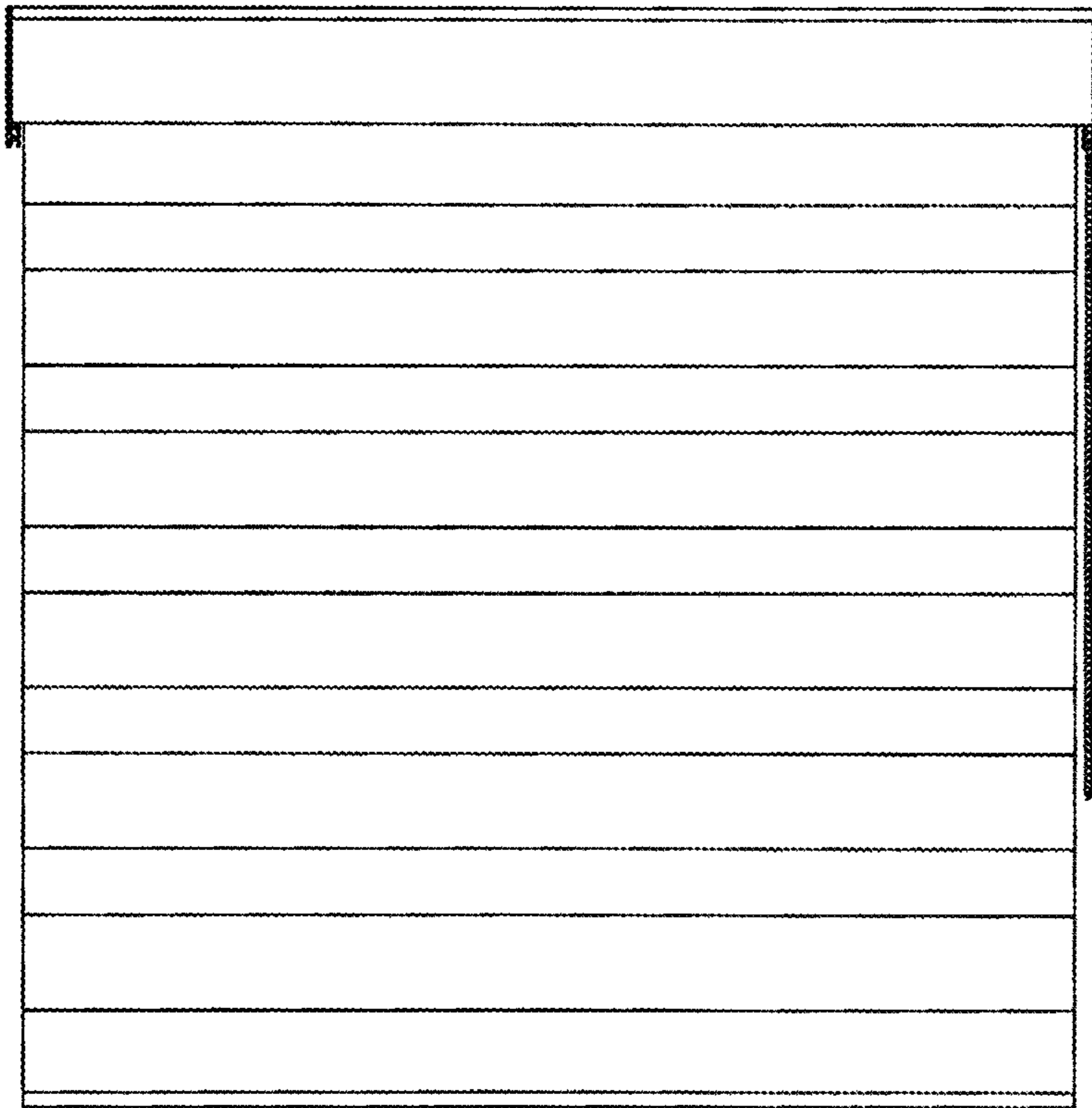


Fig. 3

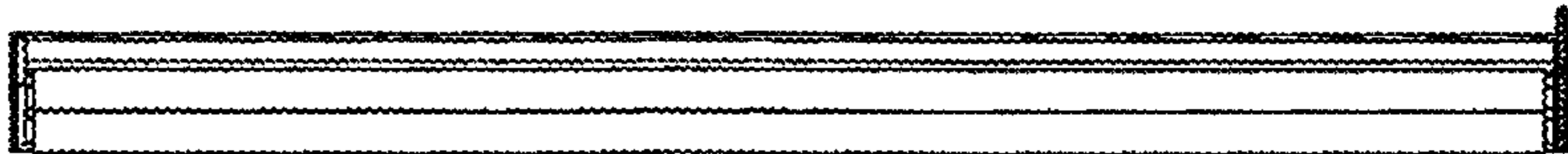


Fig. 4

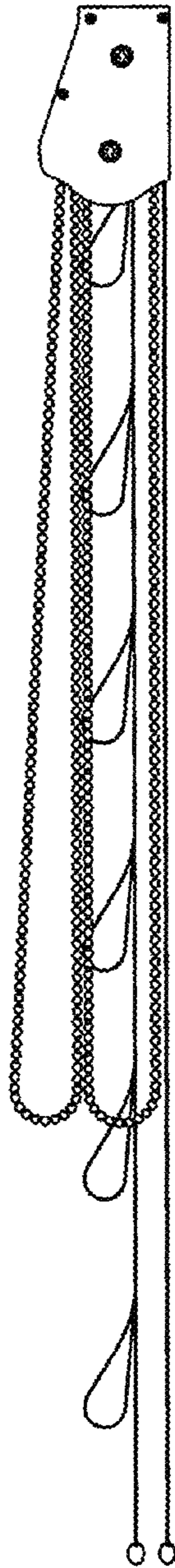


Fig. 5

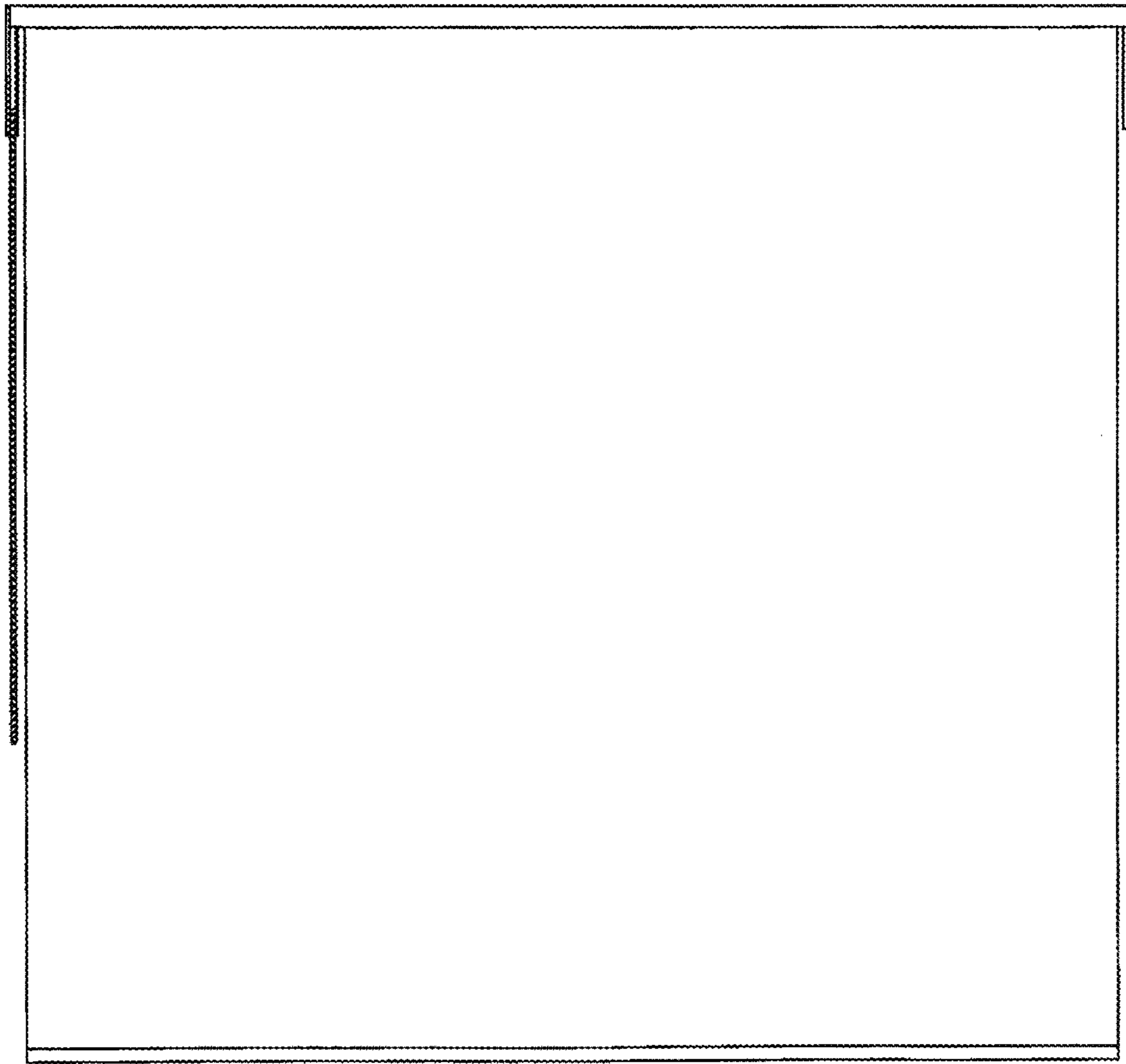


Fig. 6

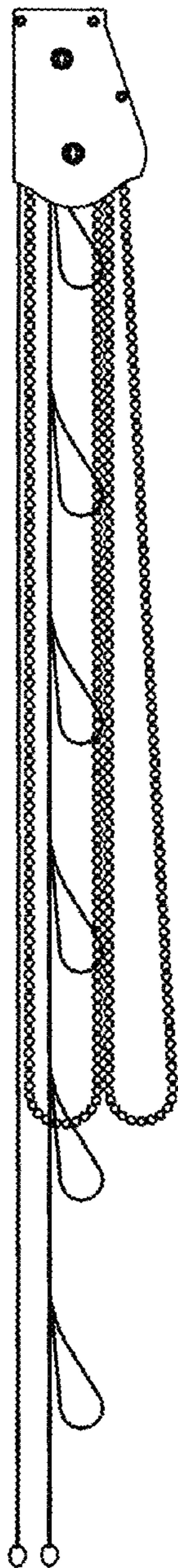


Fig. 7