



US00D748408S

(12) **United States Design Patent**
Toumazou et al.

(10) **Patent No.:** **US D748,408 S**
(45) **Date of Patent:** **** Feb. 2, 2016**

(54) **CREAM DISPENSER**

(71) Applicant: **GENE ONYX LIMITED**, Tortola (VG)

(72) Inventors: **Christofer Toumazou**, London (GB);
Lara Beard, London (GB); **Martin Stow**, Skipton (GB)

(73) Assignee: **GENE ONYX LIMITED**, Road Town, Tortola (VG)

(**) Term: **14 Years**

(21) Appl. No.: **29/487,710**

(22) Filed: **Apr. 11, 2014**

(30) **Foreign Application Priority Data**

Oct. 11, 2013 (GB) 4032279

(51) **LOC (10) Cl.** **23-02**

(52) **U.S. Cl.**
USPC **D6/544; D7/598**

(58) **Field of Classification Search**
USPC D7/590–599; D6/542–545; D9/741,
D9/743, 738, 739; D28/4, 76, 99; 215/6,
215/379, 385; 222/480, 482, 556, 135,
222/145.1, 145.3–145.6, 372–373, 95, 92,
222/105, 173; 221/282, 284; 206/77.1
CPC ... A47G 21/12; A47G 19/24; B65D 47/0847;
B65D 35/12

See application file for complete search history.

(56) **References Cited**

U.S. PATENT DOCUMENTS

D290,434 S *	6/1987	Brown	D6/544
4,773,562 A *	9/1988	Gueret	A45D 40/24 222/135
D306,519 S *	3/1990	Nakata	D3/206
D323,108 S *	1/1992	Green	D9/741
D544,309 S *	6/2007	Gutekunst	D7/591
D566,576 S *	4/2008	Thompson	D21/542
D630,941 S *	1/2011	Paredes	D9/430
D661,149 S *	6/2012	Yang	D6/542

* cited by examiner

Primary Examiner — Terry Wallace

(74) *Attorney, Agent, or Firm* — Saul Ewing LLP

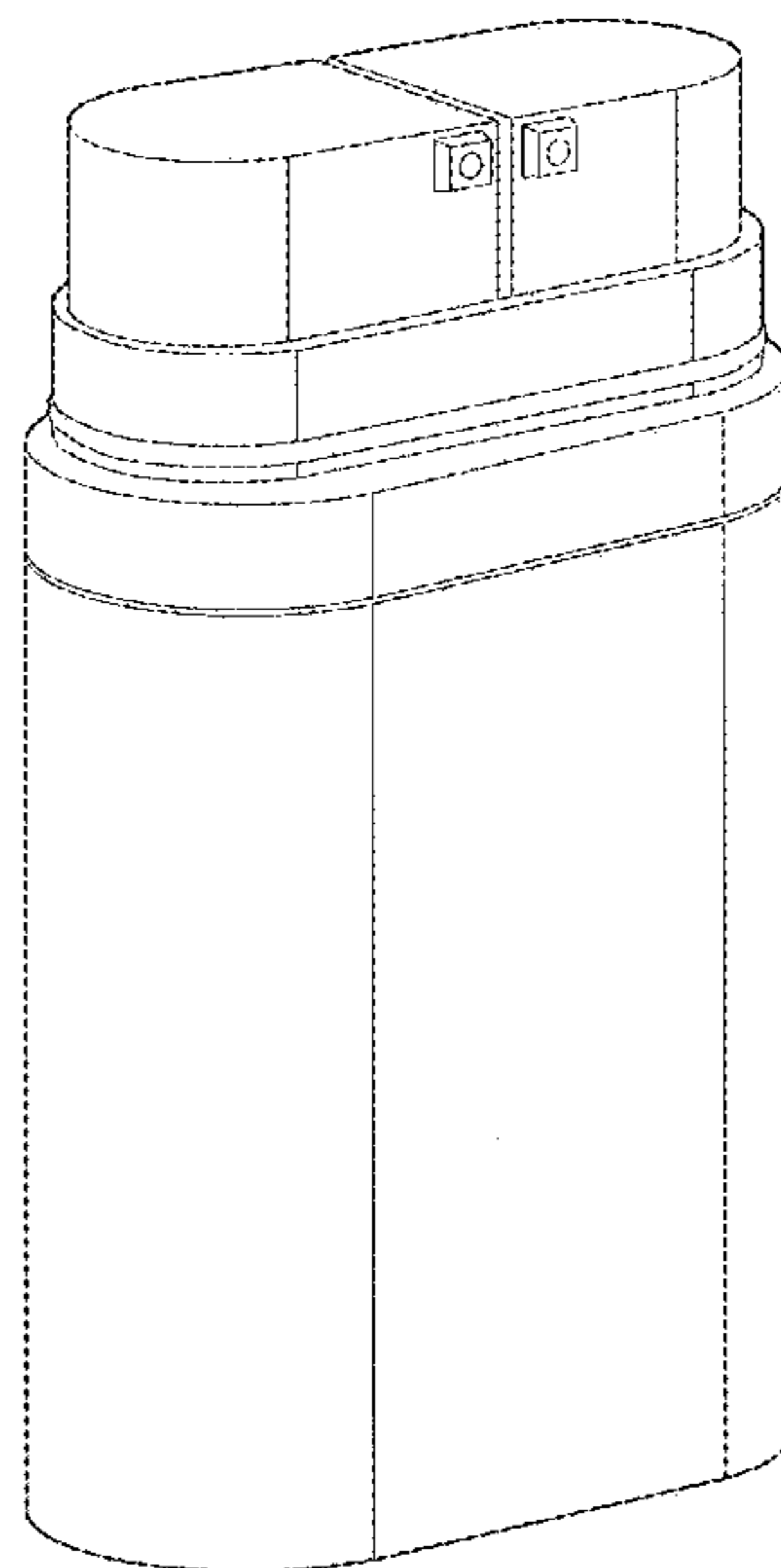
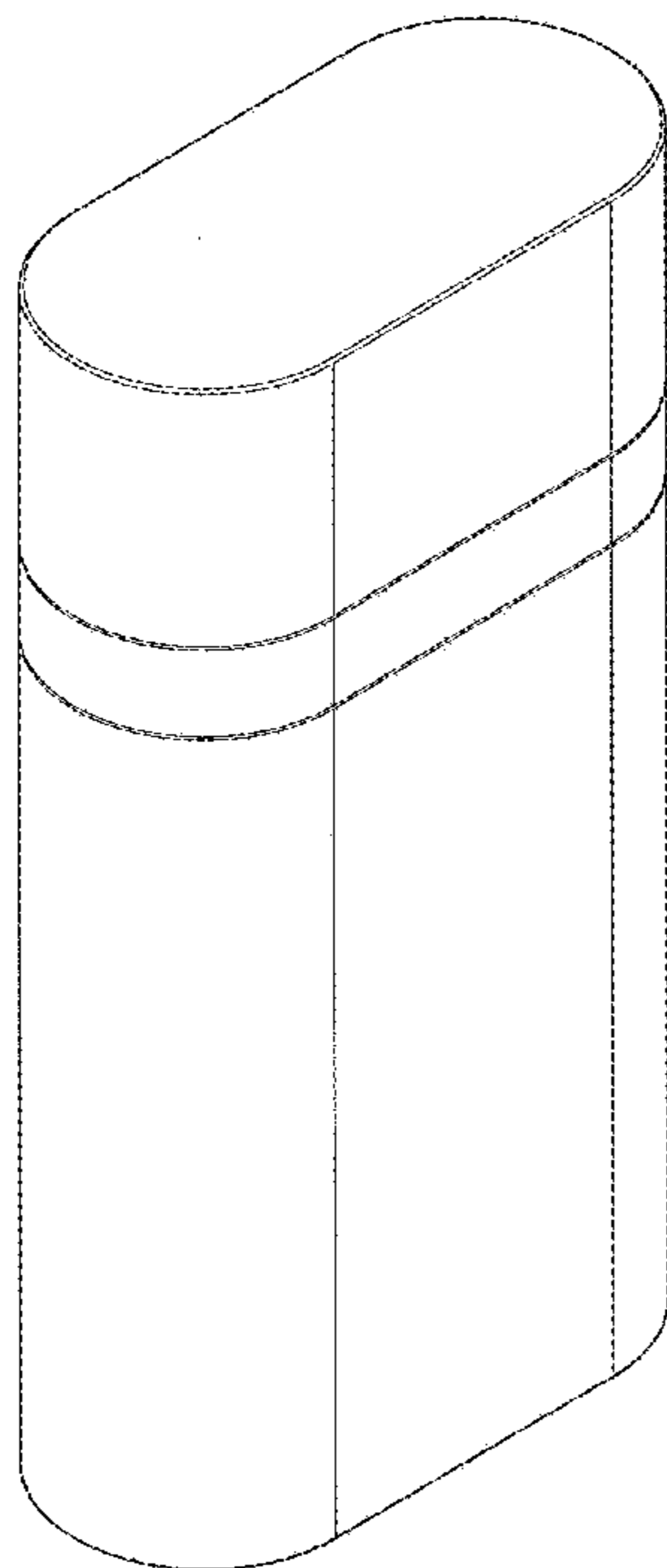
(57) **CLAIM**

The ornamental design for a cream dispenser, as shown and described.

DESCRIPTION

FIG. 1 is a generally front perspective view of a cream dispenser according to the present invention, with its lid in place; FIG. 2 is a front view of a cream dispenser according to the present invention, with its lid in place; FIG. 3 is a generally front perspective view of a cream dispenser according to the present invention, with its lid removed; FIG. 4 is a side view of a cream dispenser according to the present invention, with its lid removed; FIG. 5 is a top view of a cream dispenser according to the present invention, with its lid removed; FIG. 6 is a rear view of a cream dispenser according to the present invention, with its lid removed; and, FIG. 7 is a bottom view of a cream dispenser according to the present invention.

1 Claim, 7 Drawing Sheets



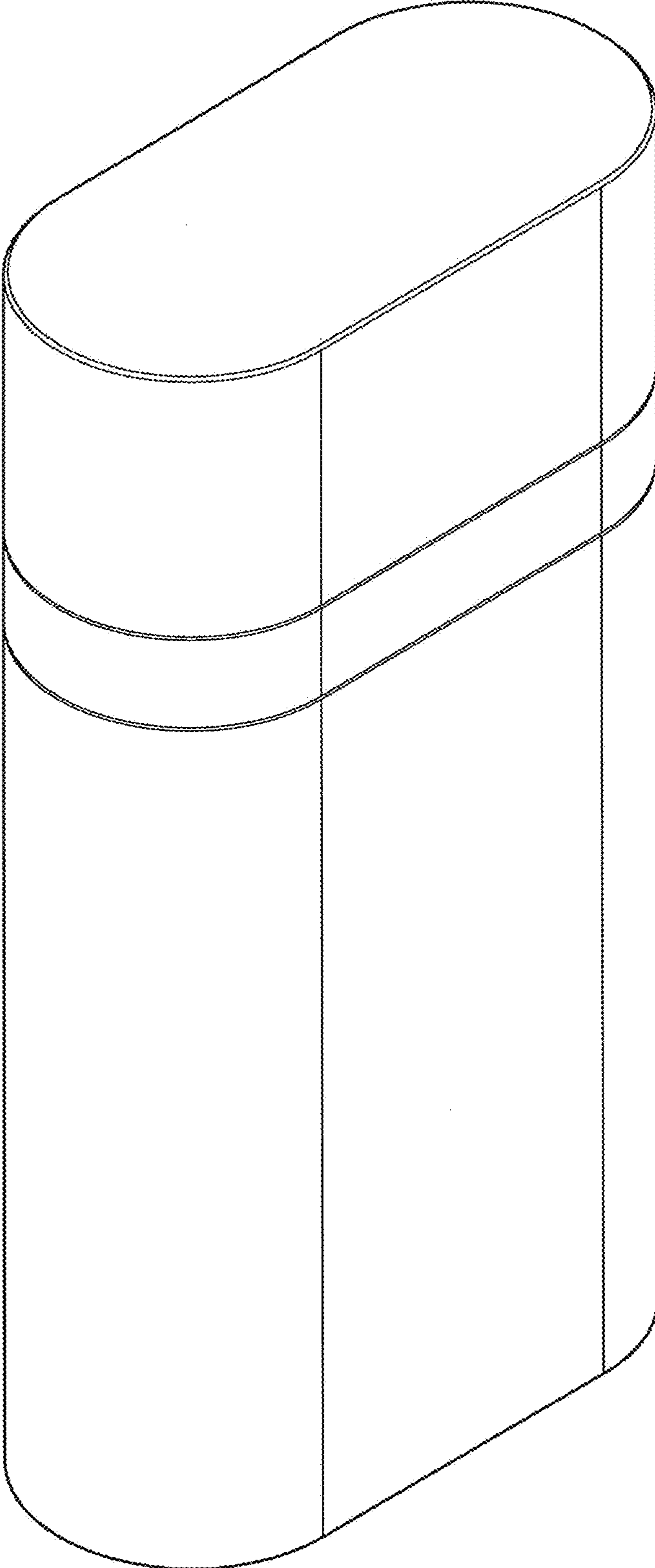


FIG. 1

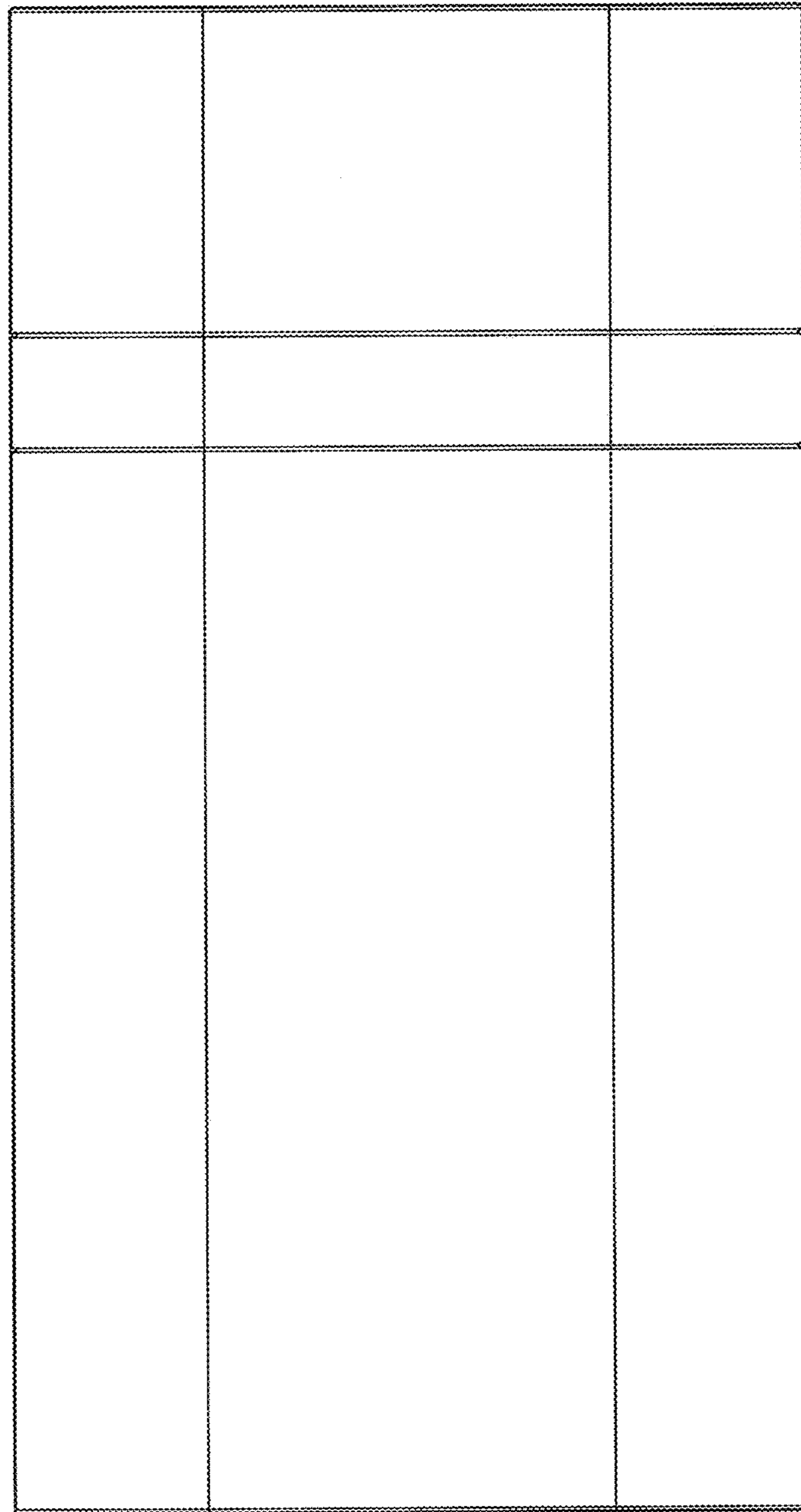


FIG. 2

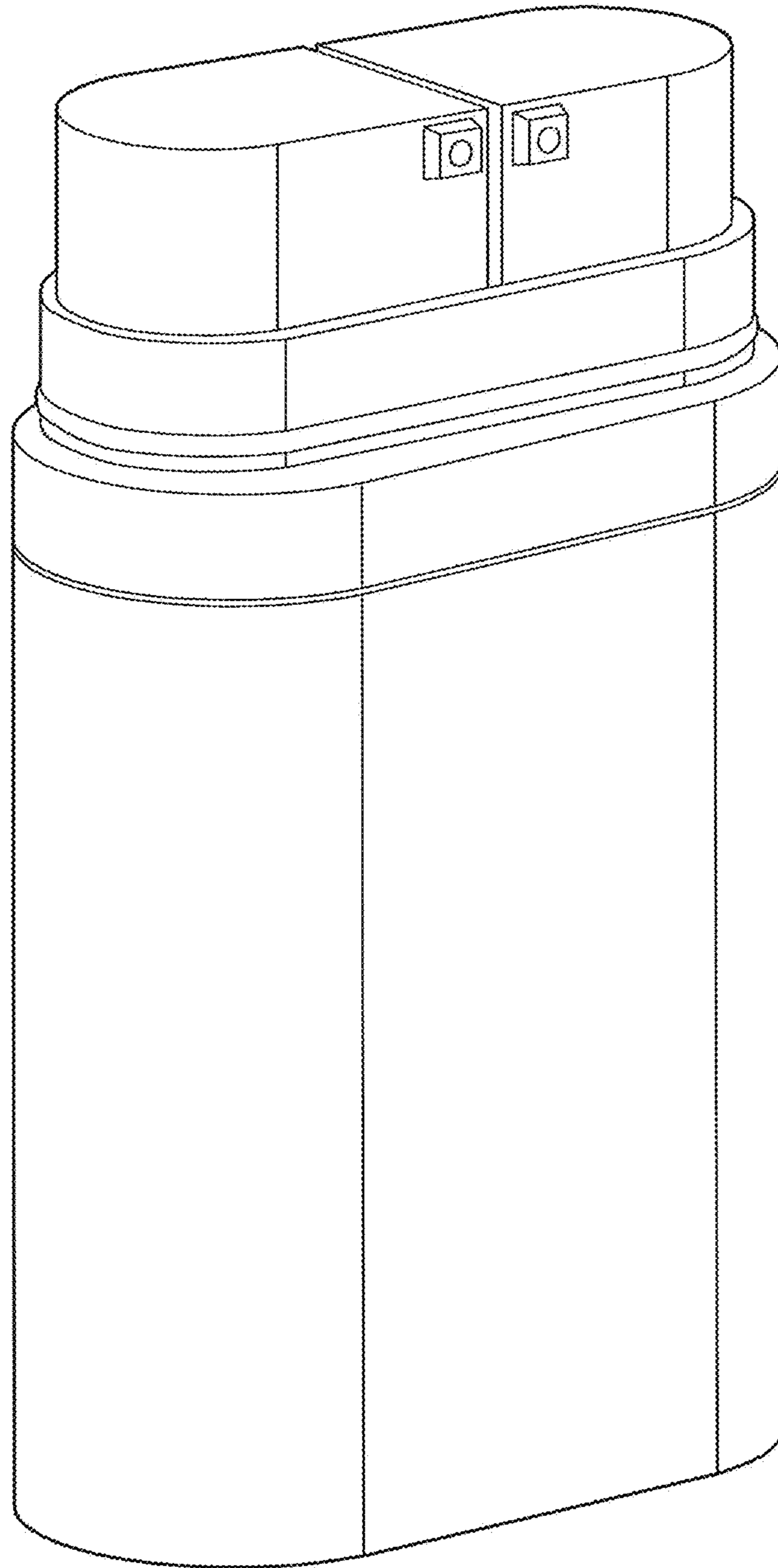


FIG. 3

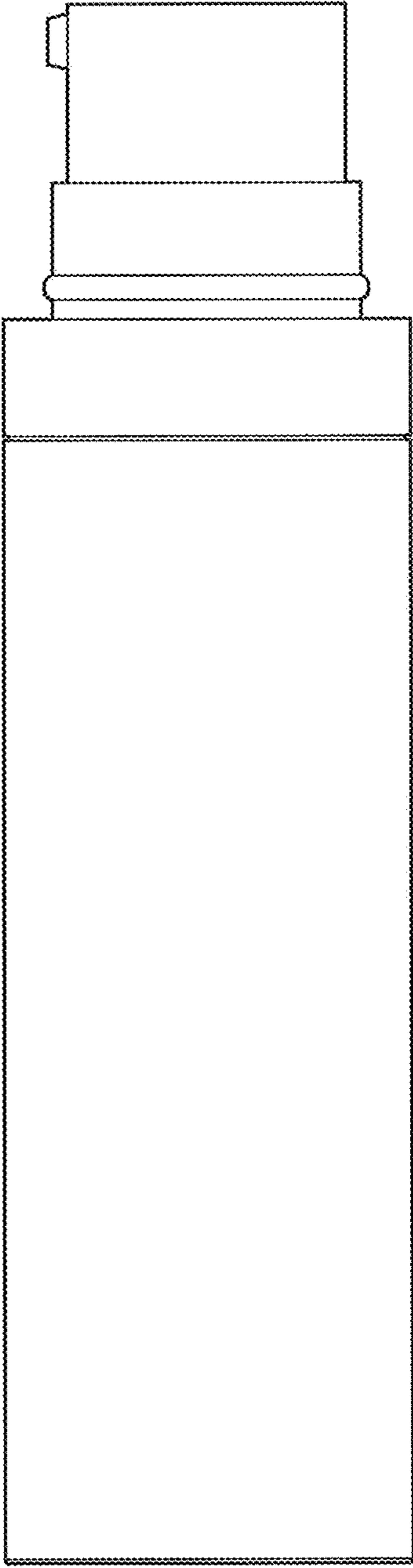


FIG. 4

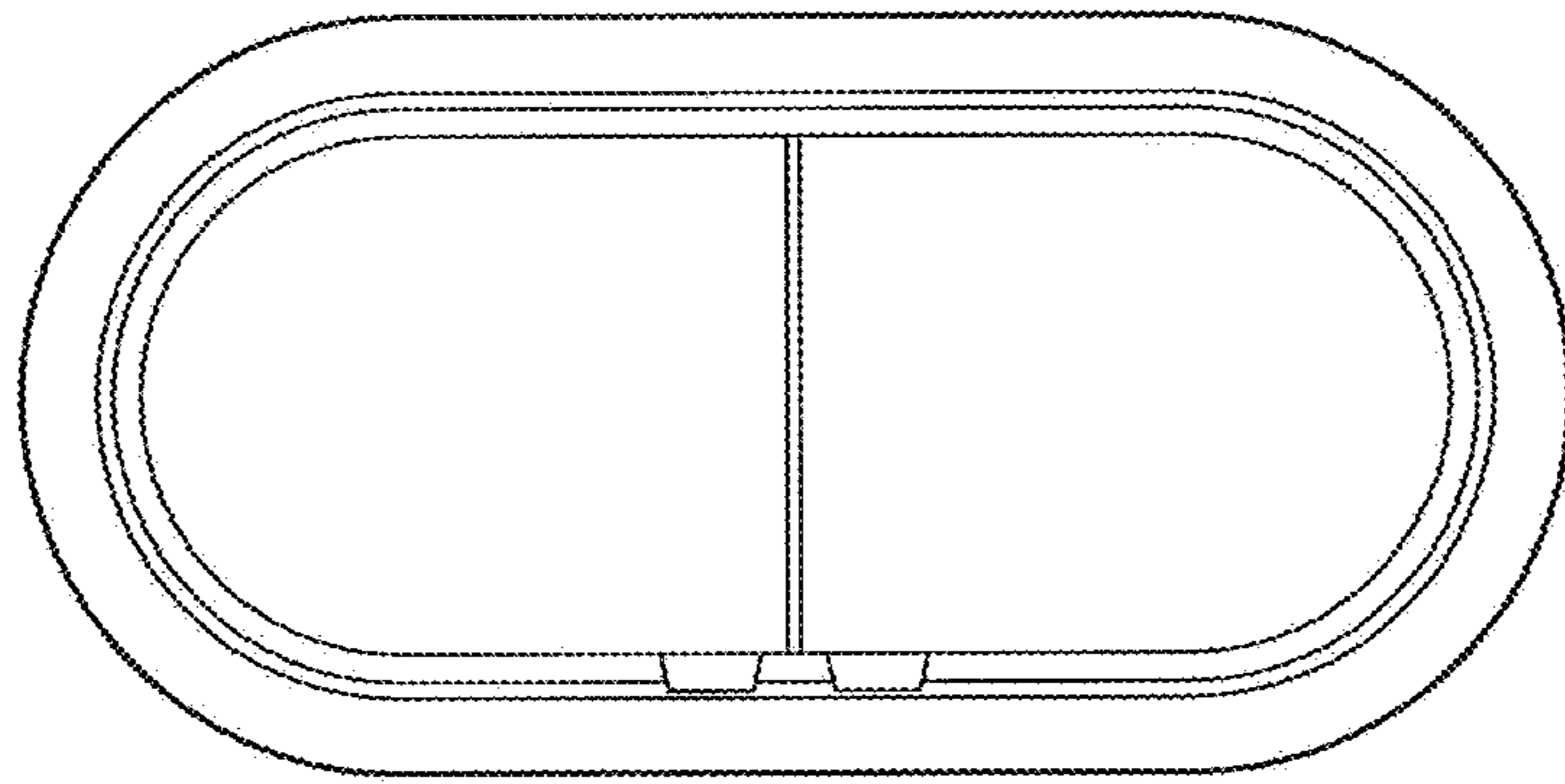


FIG. 5

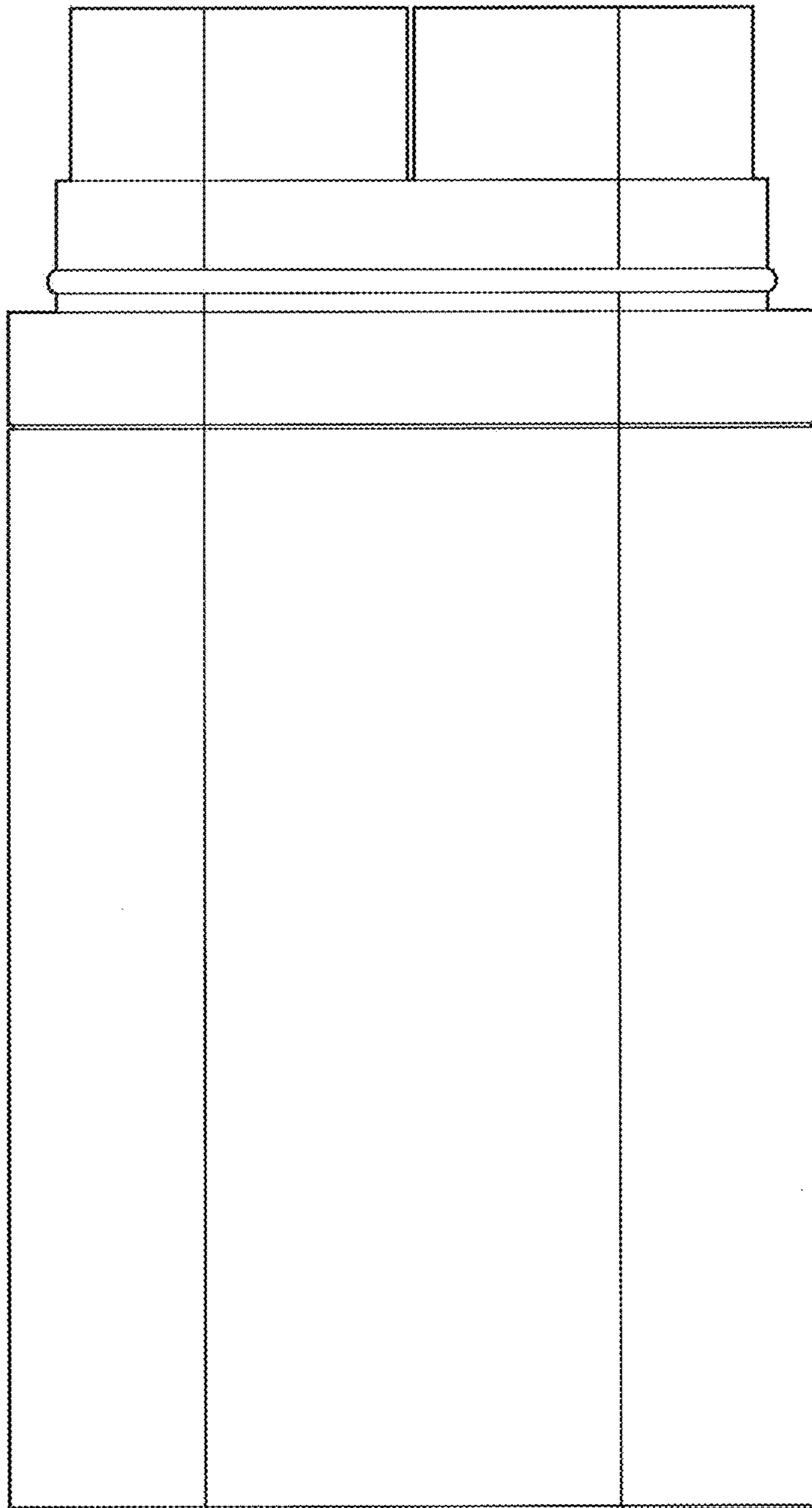


FIG. 6

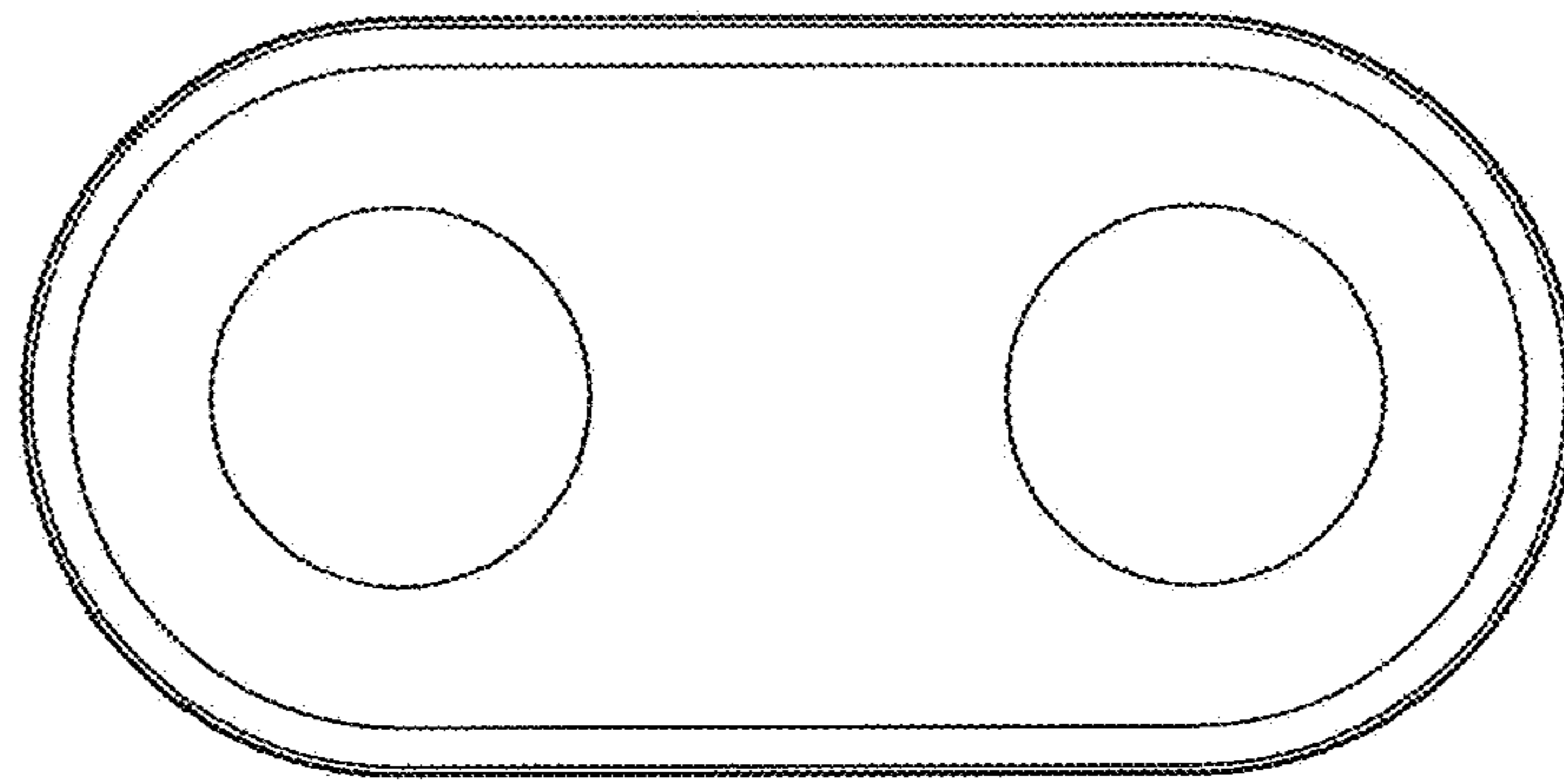


FIG. 7