



US00D748407S

(12) **United States Design Patent**
Akkad

(10) **Patent No.:** **US D748,407 S**
(45) **Date of Patent:** **** Feb. 2, 2016**

- (54) **FOLDABLE SLUMBER BED**
- (71) Applicant: **Idea Nuova, Inc.**, New York, NY (US)
- (72) Inventor: **Benjamin S. Akkad**, New York, NY (US)
- (73) Assignee: **Idea Nuova, Inc.**, New York, NY (US)
- (**) Term: **14 Years**
- (21) Appl. No.: **29/493,604**
- (22) Filed: **Jun. 11, 2014**
- (51) **LOC (10) Cl.** **06-02**
- (52) **U.S. Cl.**
USPC **D6/392**
- (58) **Field of Classification Search**
USPC D6/382-384, 392, 393, 349, 718,
D6/718.11, 718.12, 708.16, 709.2, 691.6,
D6/692.4
CPC A47C 19/00; A47C 17/64; A47C 17/68;
A47C 19/024; A47C 17/70; A47C 19/12
See application file for complete search history.

6,564,402 B1 * 5/2003 Lin A47C 17/645
24/72.5
7,950,083 B2 5/2011 Flannery
2008/0189855 A1 * 8/2008 Zheng A47C 17/68
5/116
2008/0295246 A1 * 12/2008 Yul A47C 17/16
5/12.2

* cited by examiner

Primary Examiner — Janice Seeger

(74) *Attorney, Agent, or Firm* — Panitch Schwarze Belisario & Nadel LLP

(57) **CLAIM**

The ornamental design for a foldable slumber bed, as shown and described.

DESCRIPTION

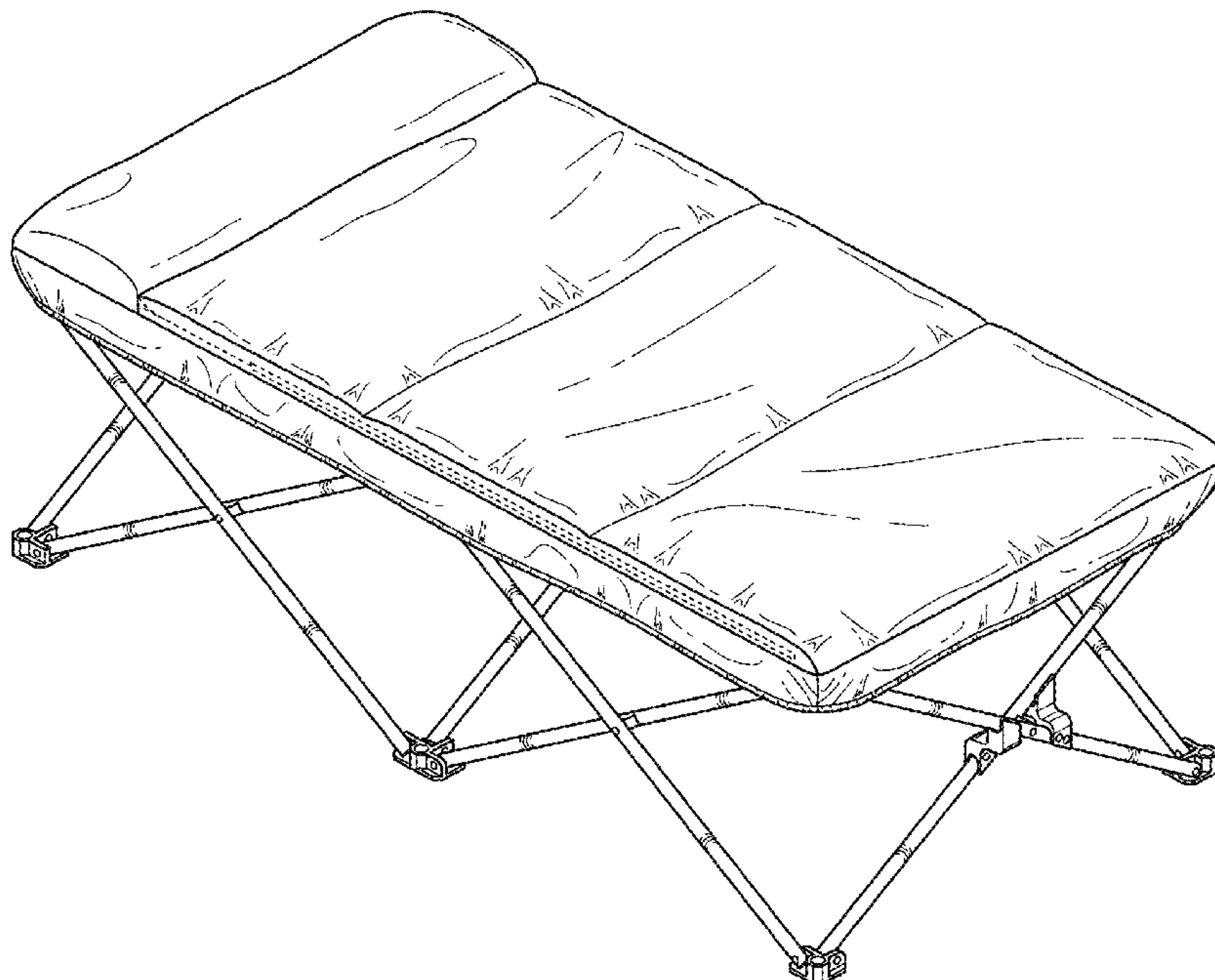
FIG. 1 is a front perspective view of a foldable slumber bed in accordance with a preferred embodiment of my new design; FIG. 2 is a top plan view thereof; FIG. 3 is a bottom plan view thereof; FIG. 4 is a right side elevation view thereof, a left side elevation view thereof being a mirror image; FIG. 5 is a front elevation view thereof; and, FIG. 6 is a rear elevation view thereof. The broken lines in the figures are for the purpose of showing environmental structure and form no part of the claimed design.

(56) **References Cited**

U.S. PATENT DOCUMENTS

D411,387 S * 6/1999 Zheng D6/361
6,134,727 A * 10/2000 Hwang A47C 17/64
5/110

1 Claim, 3 Drawing Sheets



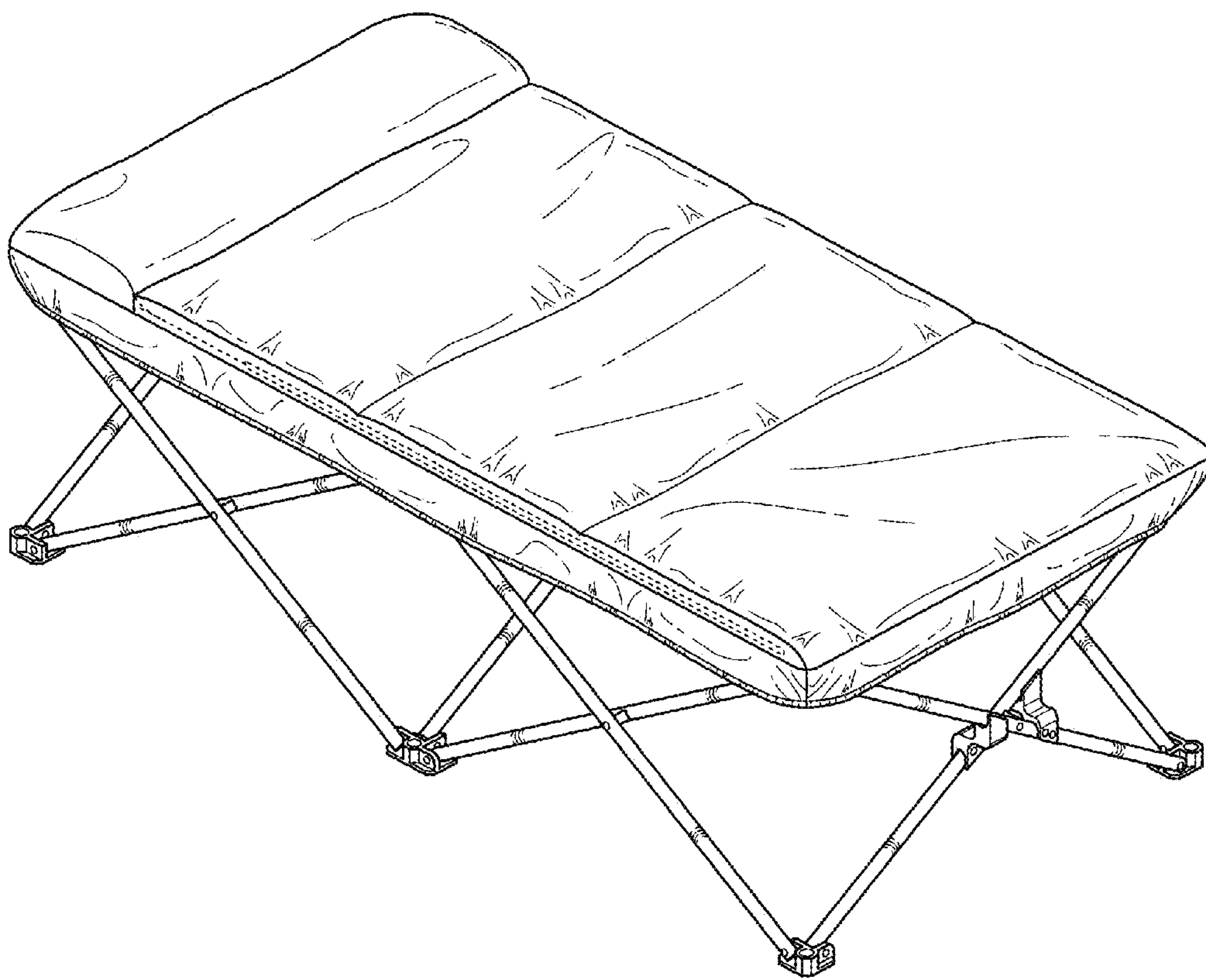


FIG. 1

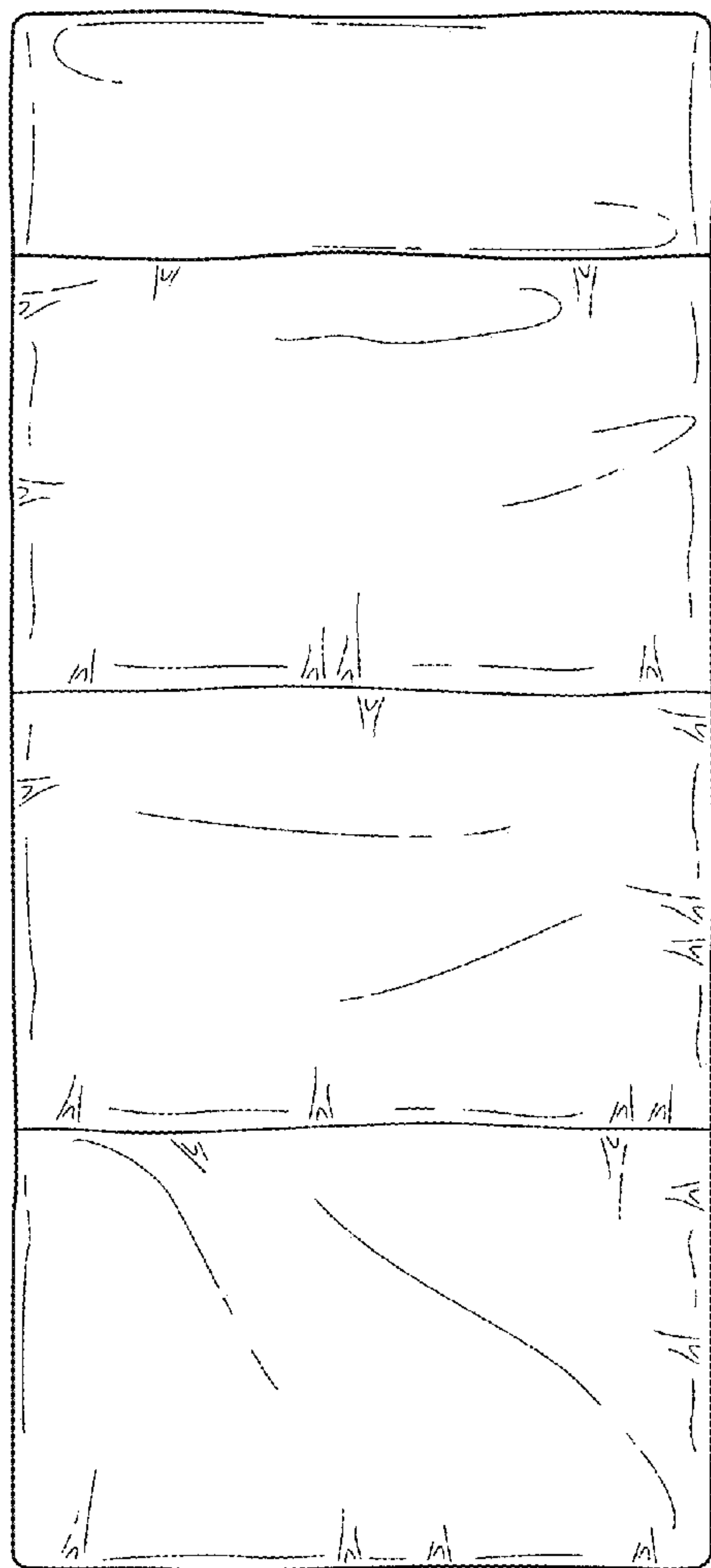


FIG. 2

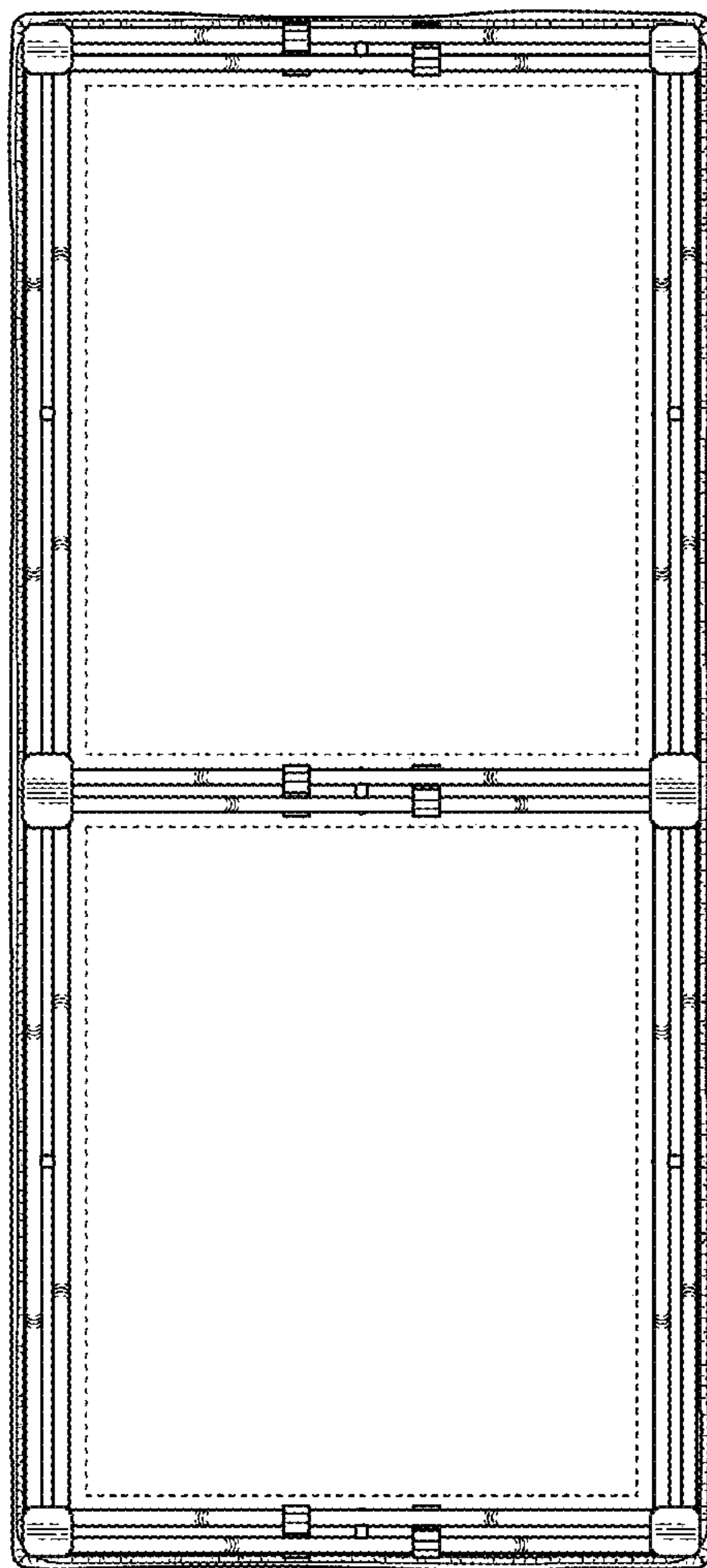


FIG. 3

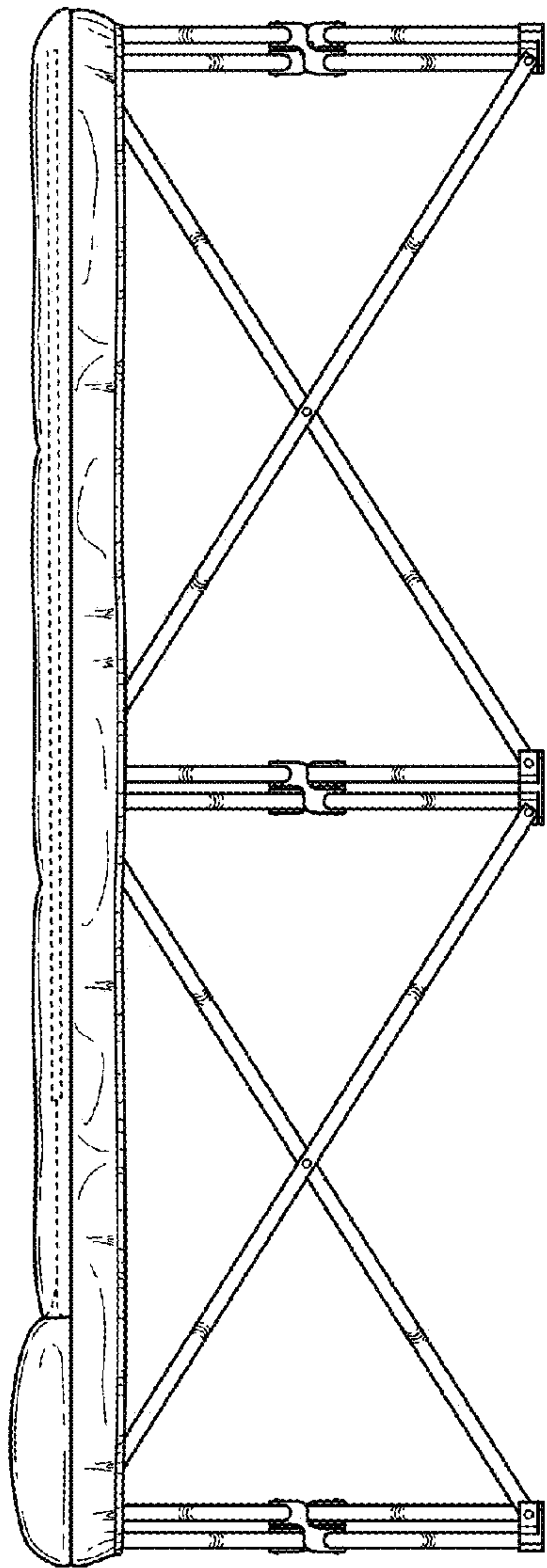


FIG. 4

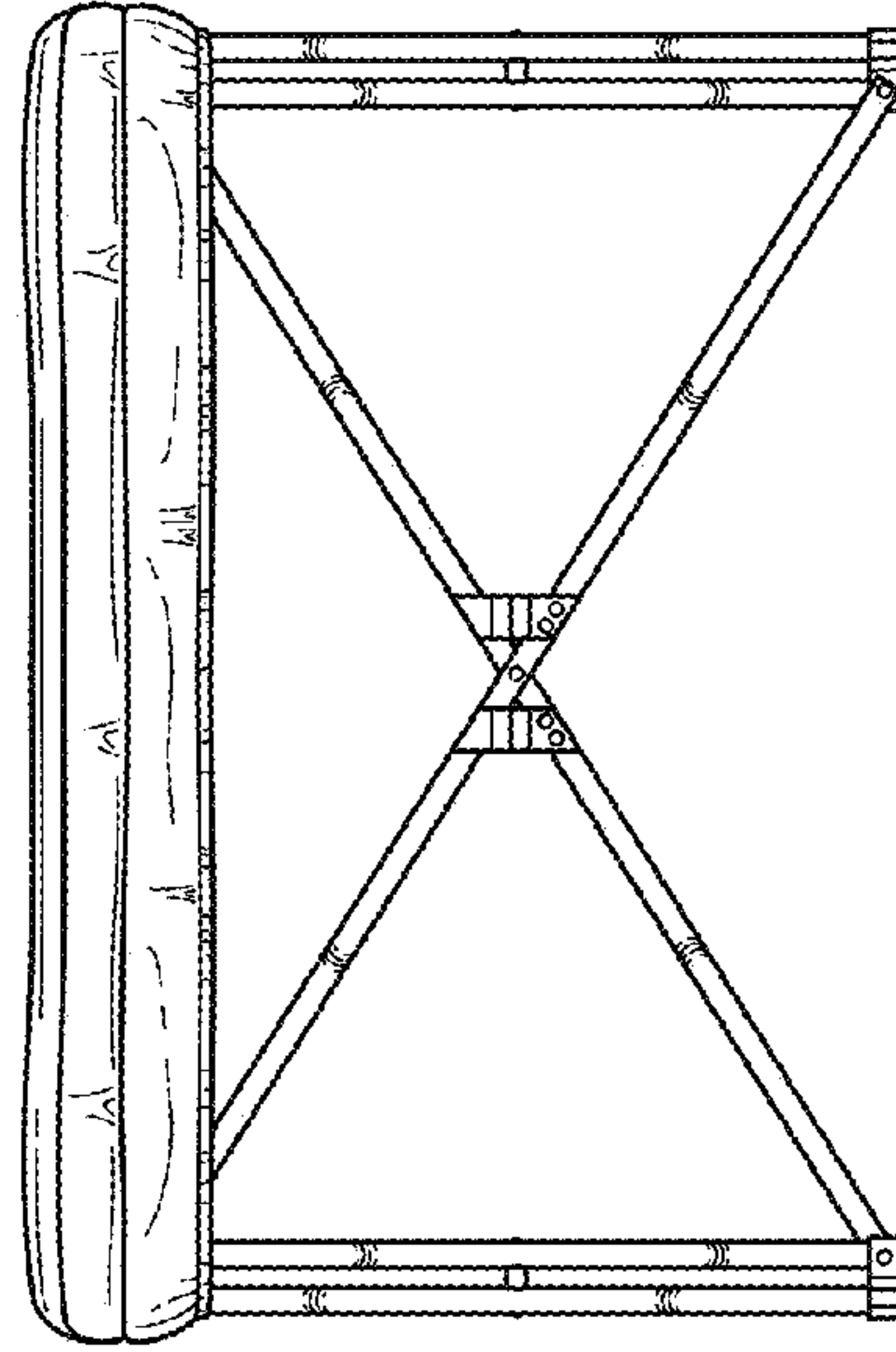


FIG. 6

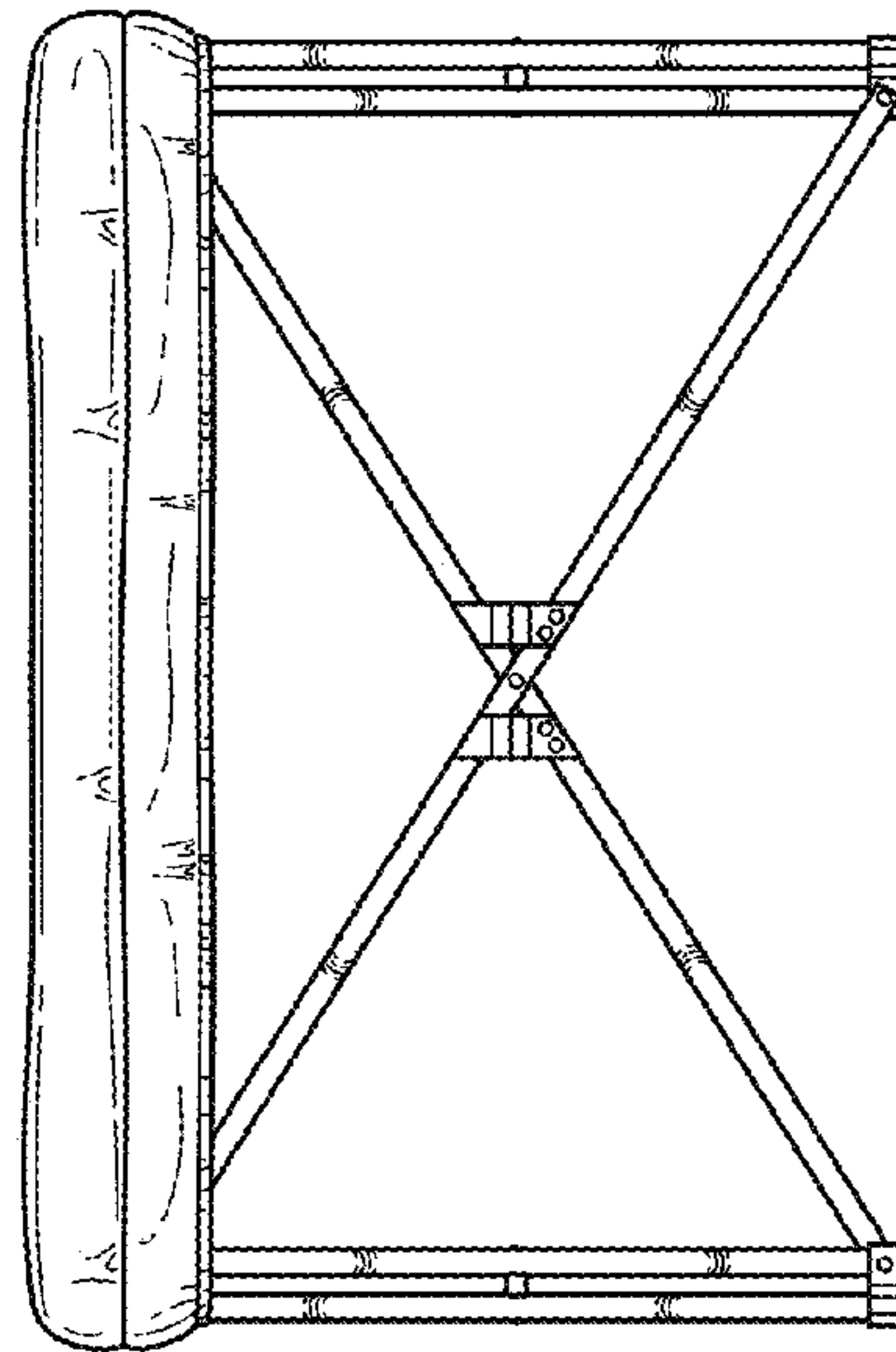


FIG. 5