



US00D748406S

(12) **United States Design Patent**
Pham

(10) **Patent No.:** **US D748,406 S**

(45) **Date of Patent:** **** Feb. 2, 2016**

(54) **SITTING DEVICE**

(71) Applicant: **Loan Kim Thi Pham**, HCMC (VN)

(72) Inventor: **Loan Kim Thi Pham**, HCMC (VN)

(**) Term: **14 Years**

(21) Appl. No.: **29/504,754**

(22) Filed: **Oct. 9, 2014**

(51) **LOC (10) Cl.** **06-01**

(52) **U.S. Cl.**
USPC **D6/361**

(58) **Field of Classification Search**
USPC D6/334-336, 361, 371, 373, 375, 377,
D6/716, 716.1, 716.4
CPC A47C 7/50; A47C 3/16; A47C 4/028;
A47C 5/125; A47C 4/54; B60N 2/70
See application file for complete search history.

(56) **References Cited**

U.S. PATENT DOCUMENTS

4,092,049 A * 5/1978 Schoblom A47C 4/028
297/218.4
D274,576 S * 7/1984 Tiffany D6/335

D366,966 S * 2/1996 Bonaddio D6/335
D372,805 S * 8/1996 Bonaddio D6/334
D460,283 S * 7/2002 Floyd, Jr. D6/375
D550,974 S * 9/2007 Thornbury D6/361
D608,102 S * 1/2010 Kemm D6/361
D627,575 S * 11/2010 Joly D6/375
D711,126 S * 8/2014 Pierre D6/361

* cited by examiner

Primary Examiner — Mimoso De

(74) *Attorney, Agent, or Firm* — Meyertons, Hood, Kivlin,
Kowert & Goetzel, P.C.; Eric B. Meyertons

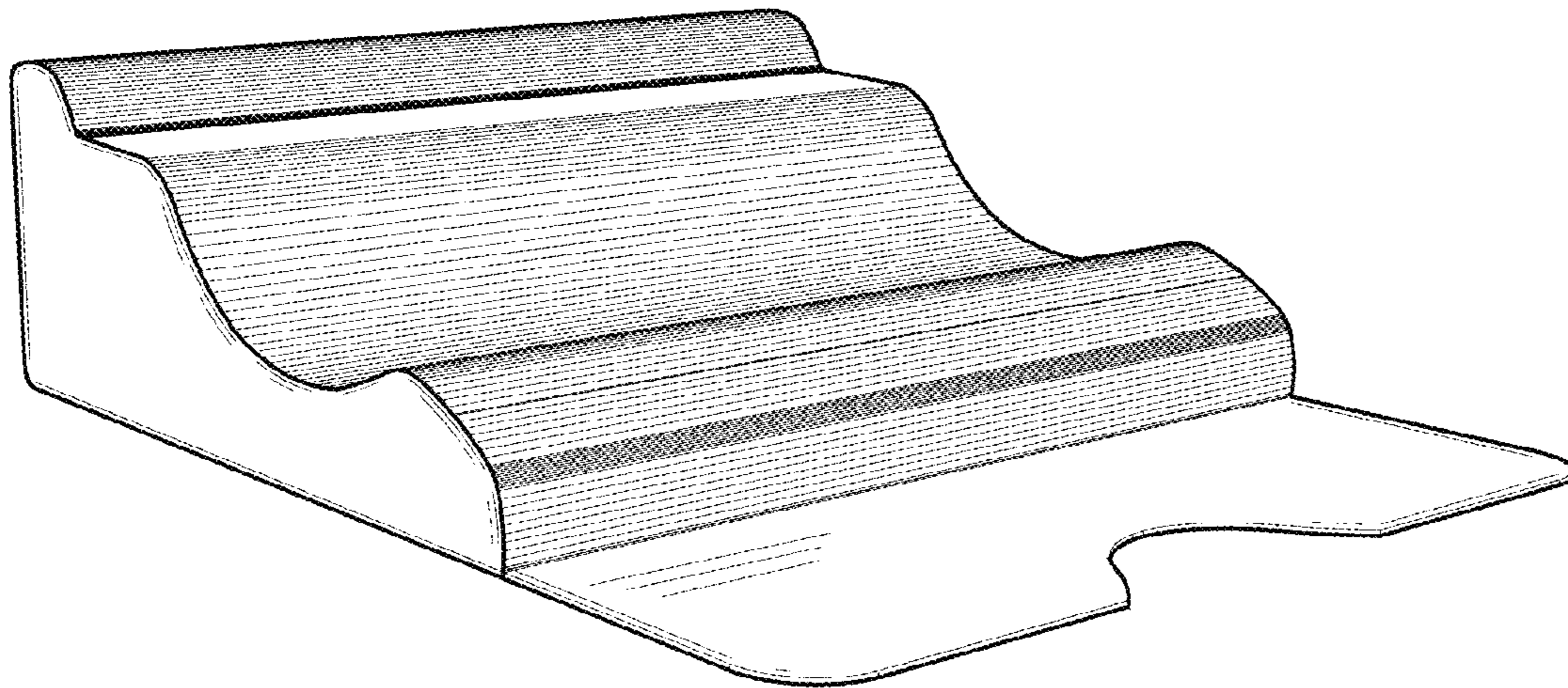
(57) **CLAIM**

The ornamental design for a sitting device, as shown and described.

DESCRIPTION

FIG. 1 is a perspective left-front view of a sitting device according to the invention.
FIG. 2 is a front perspective view thereof.
FIG. 3 is a left side perspective view thereof.
FIG. 4 is a bottom plan view thereof.
FIG. 5 is a top plan view thereof; and,
FIG. 6 is a back perspective view thereof.
The left and right side views are symmetric.

1 Claim, 5 Drawing Sheets



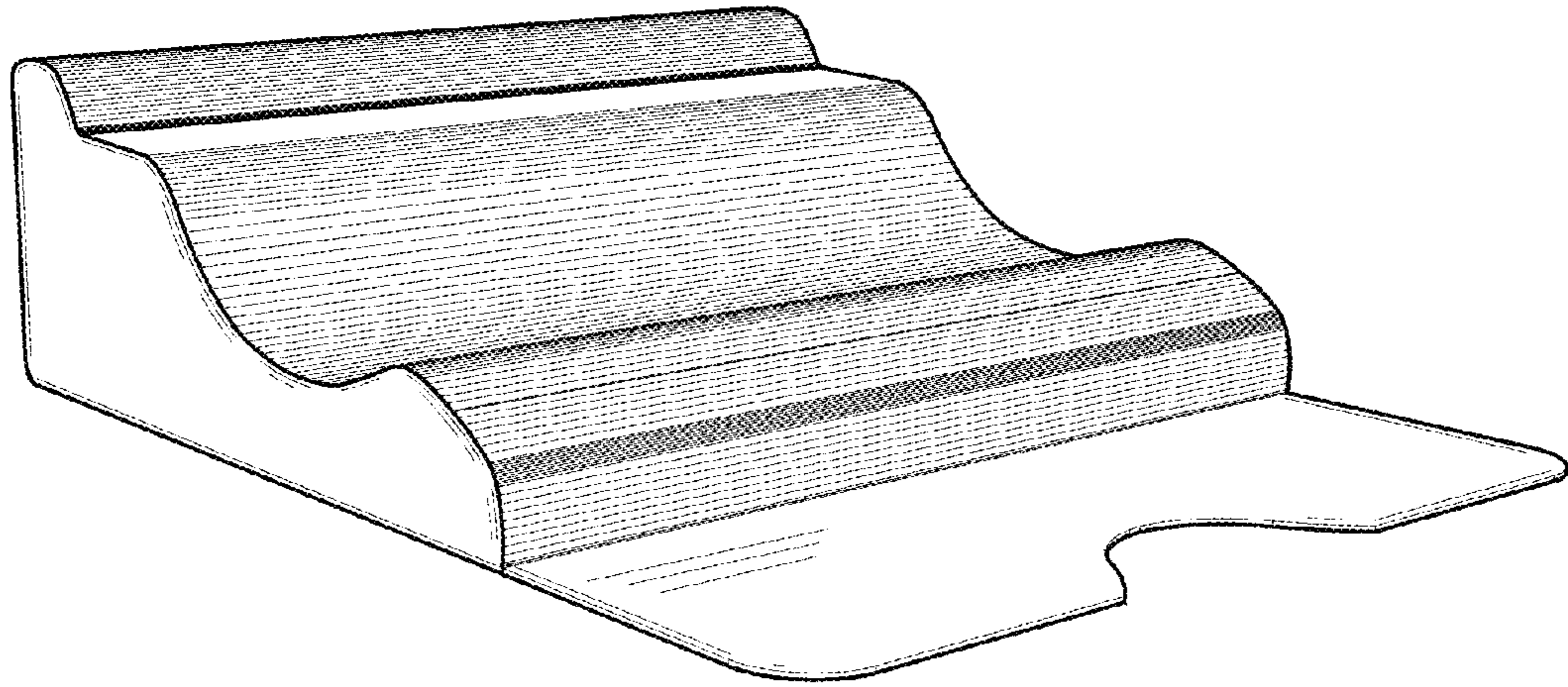


FIG. 1

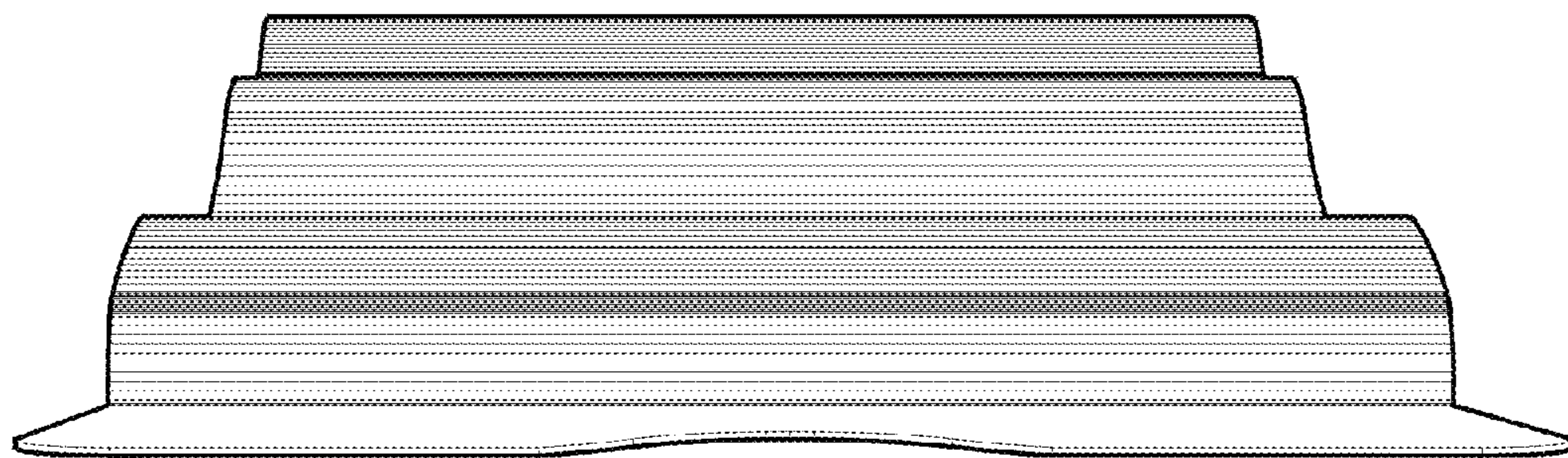


FIG. 2

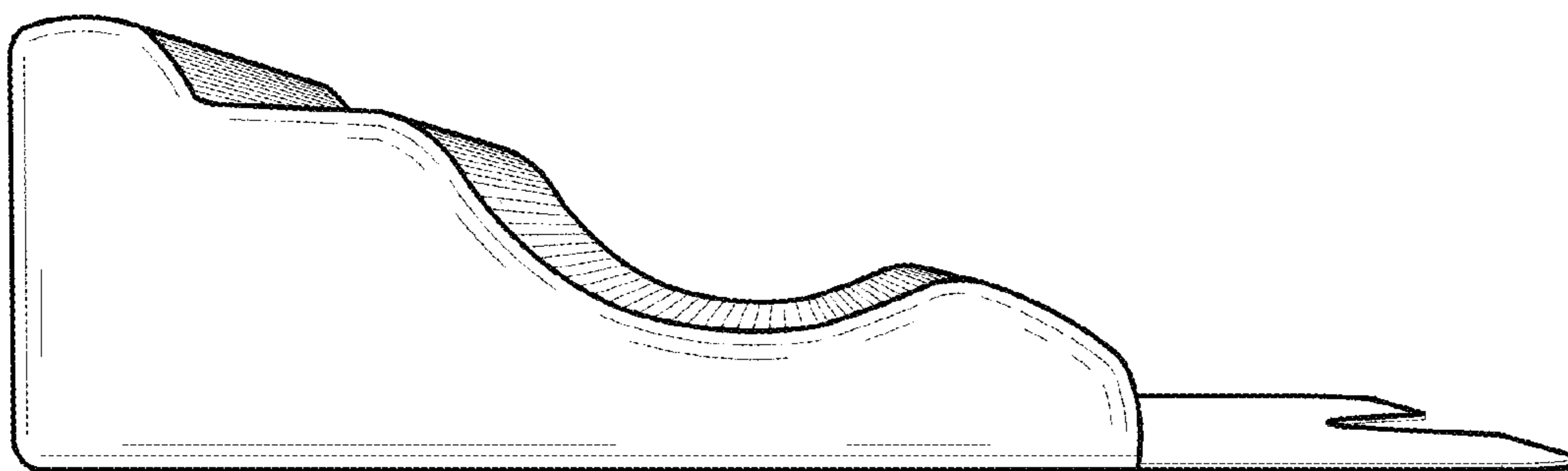


FIG. 3

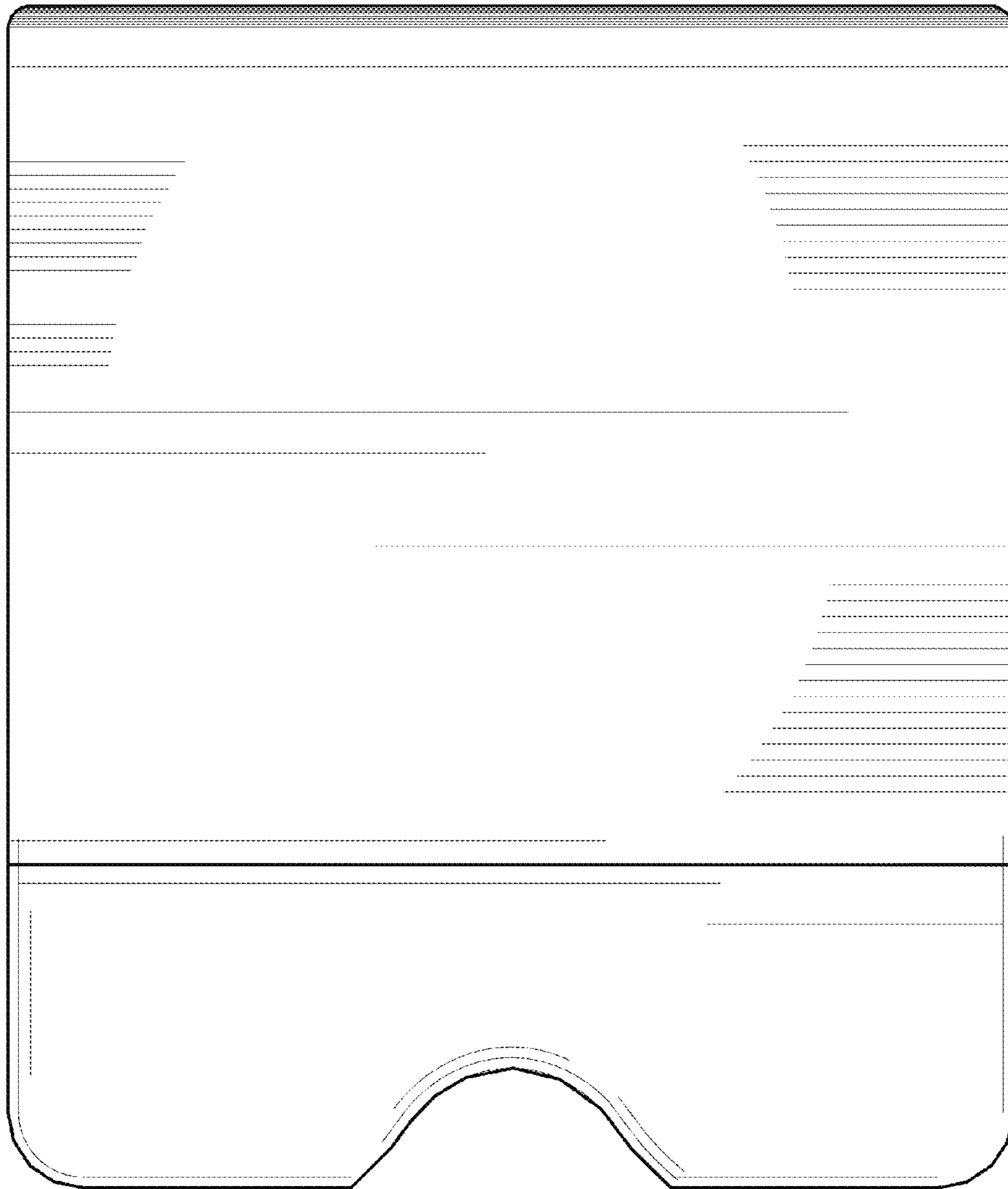


FIG. 4

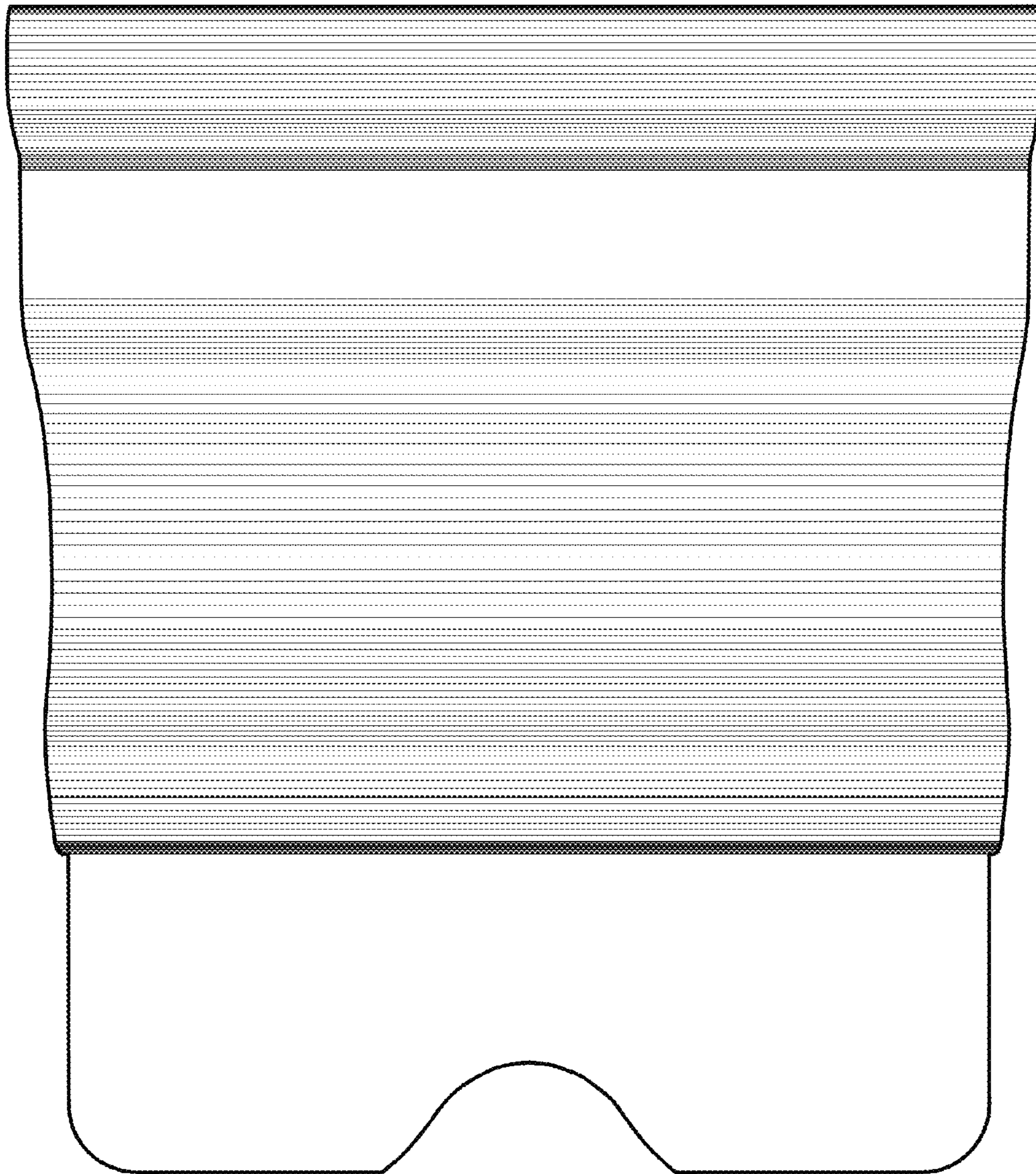


FIG. 5

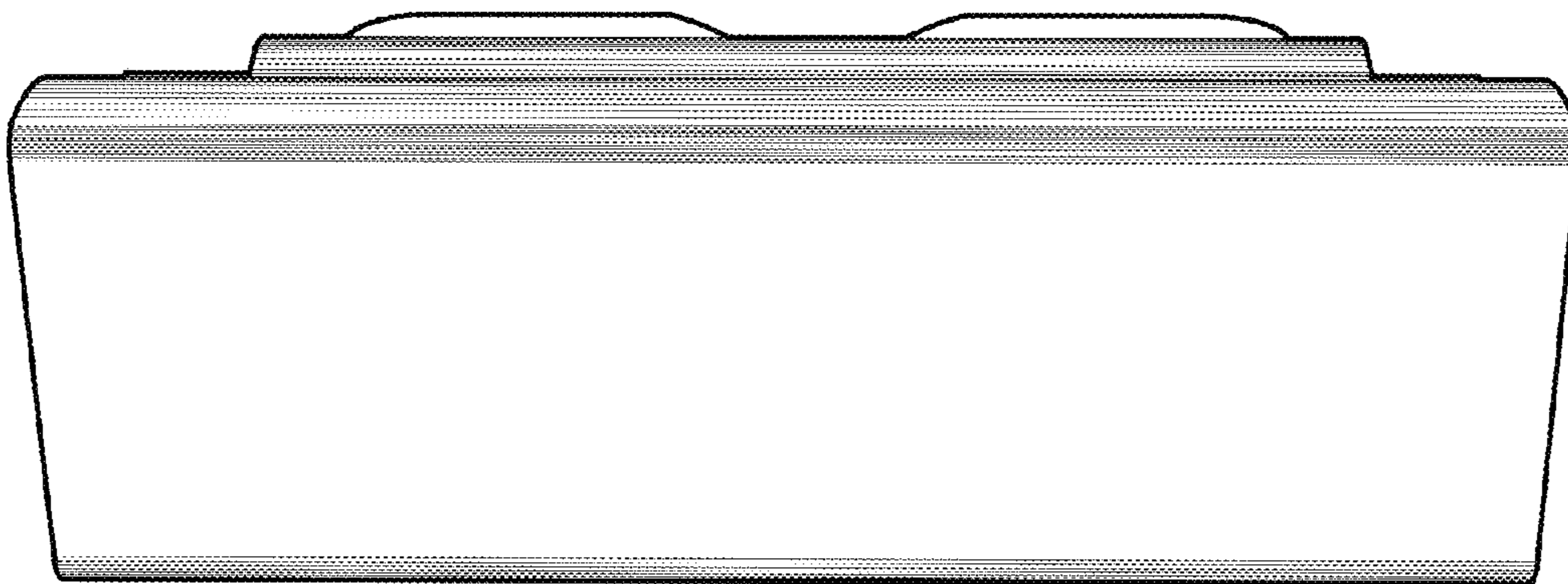


FIG. 6