



US00D748404S

(12) **United States Design Patent**
Pavey

(10) **Patent No.:** **US D748,404 S**

(45) **Date of Patent:** **** Feb. 2, 2016**

(54) **SEAT FOR PADDLE CRAFT**

(71) Applicant: **Calvin Pavey**, St. Augustine, FL (US)

(72) Inventor: **Calvin Pavey**, St. Augustine, FL (US)

(**) Term: **14 Years**

(21) Appl. No.: **29/491,943**

(22) Filed: **May 27, 2014**

(51) **LOC (10) Cl.** **12-11**

(52) **U.S. Cl.**
USPC **D6/354**

(58) **Field of Classification Search**
USPC D6/354, 356; D24/183; D12/300, 302
CPC B63H 16/107; B63B 29/04; B63B 35/71;
B63B 2029/043; B63B 2035/715; B63B 29/00
See application file for complete search history.

(56) **References Cited**

U.S. PATENT DOCUMENTS

D244,627 S *	6/1977	Ryan	D21/823
D258,854 S *	4/1981	Berg	D6/354
D301,166 S *	5/1989	Miklja	D24/183
4,953,911 A *	9/1990	Hanagan	B62J 1/00
				297/195.12
6,585,317 B1 *	7/2003	Atherley	B60N 2/24
				180/219

D486,761 S *	2/2004	Meyers	D12/126
D548,479 S *	8/2007	Clark	D21/809
D618,354 S *	6/2010	Francucci	D24/183

* cited by examiner

Primary Examiner — George D Kirschbaum

Assistant Examiner — Jennifer Watkins

(74) *Attorney, Agent, or Firm* — H. John Rizvi; Gold & Rizvi, P.A.

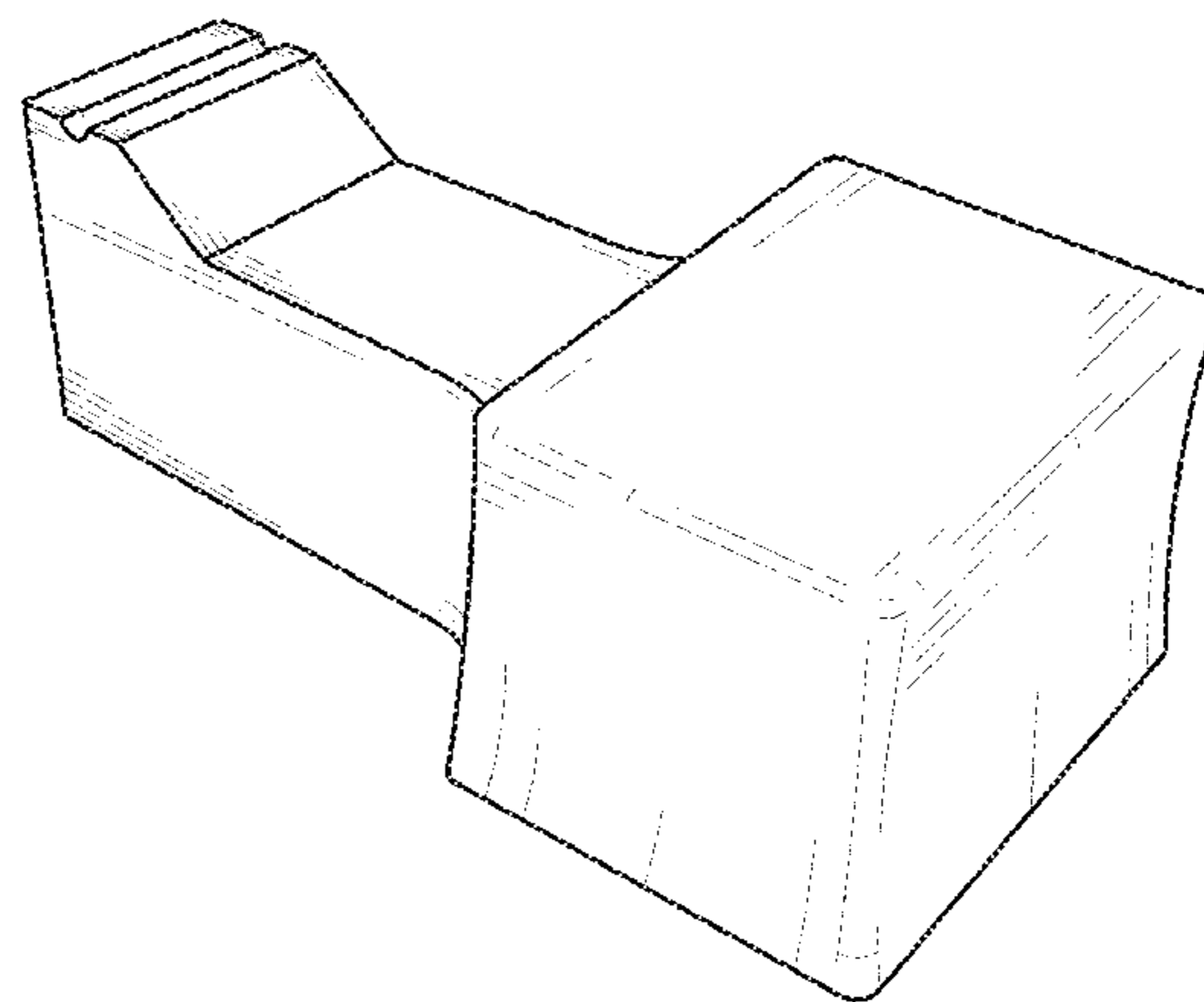
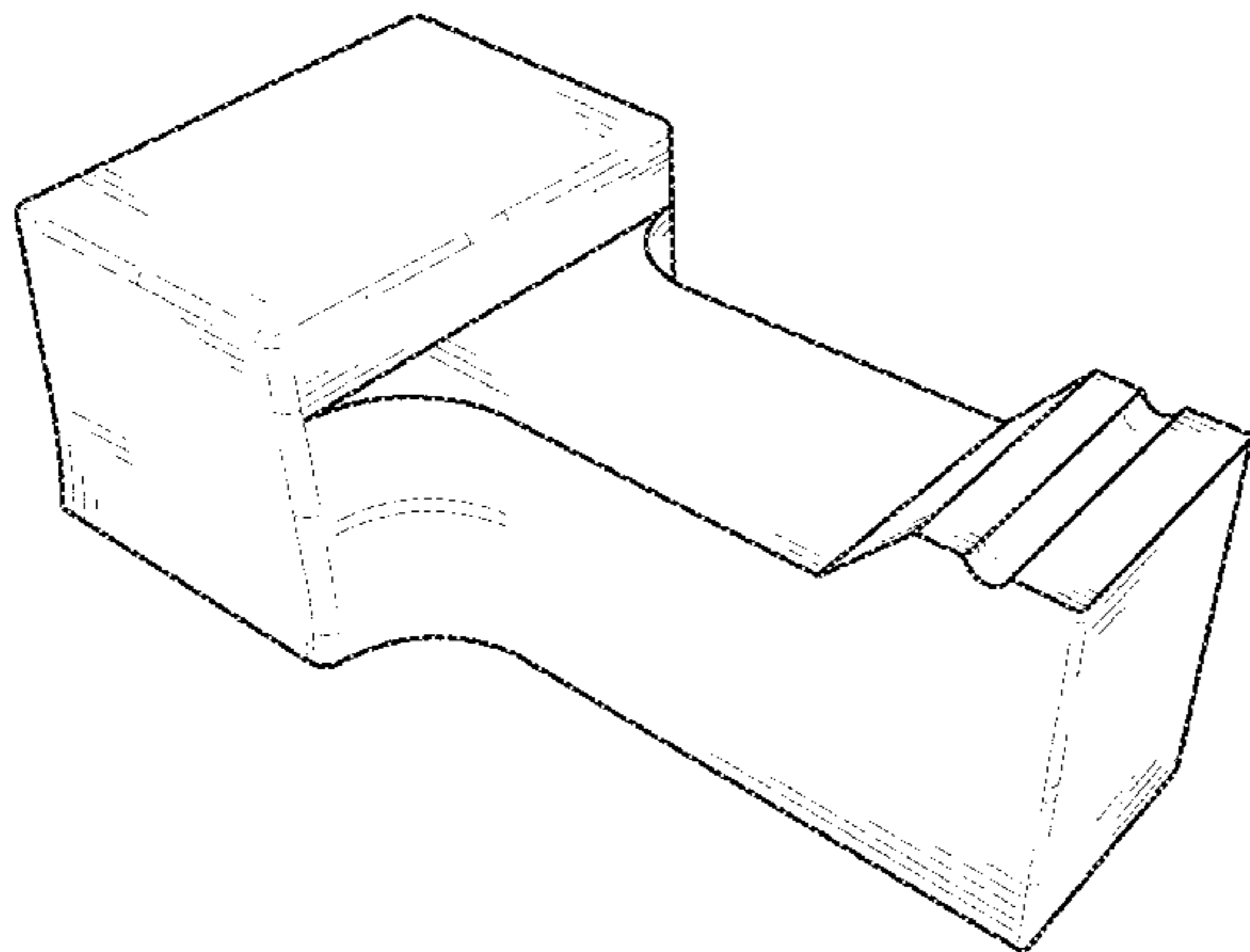
(57) **CLAIM**

I claim the ornamental design for a seat for paddle craft, as shown and described.

DESCRIPTION

FIG. 1 is a front isometric view of a seat for paddle craft showing my new design;
FIG. 2 is a rear isometric view thereof;
FIG. 3 is a front elevation view thereof;
FIG. 4 is a rear elevation view thereof;
FIG. 5 is a left side elevation view thereof;
FIG. 6 is a right side elevation view thereof; and,
FIG. 7 is a top plan view thereof.
A view of the design bottom side has been omitted, as the bottom of the design is flat and devoid of surface ornamentation.

1 Claim, 4 Drawing Sheets



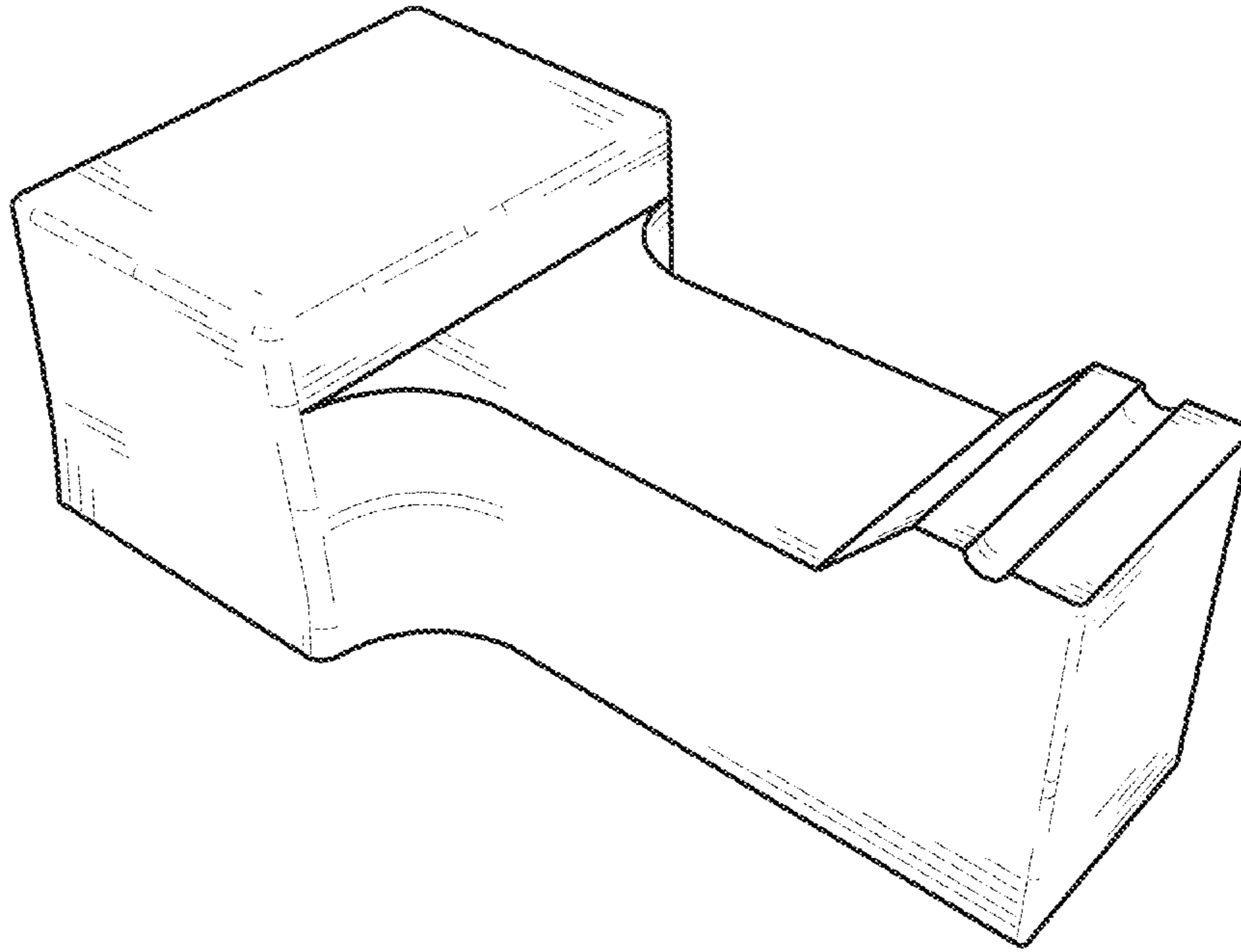


FIG. 1

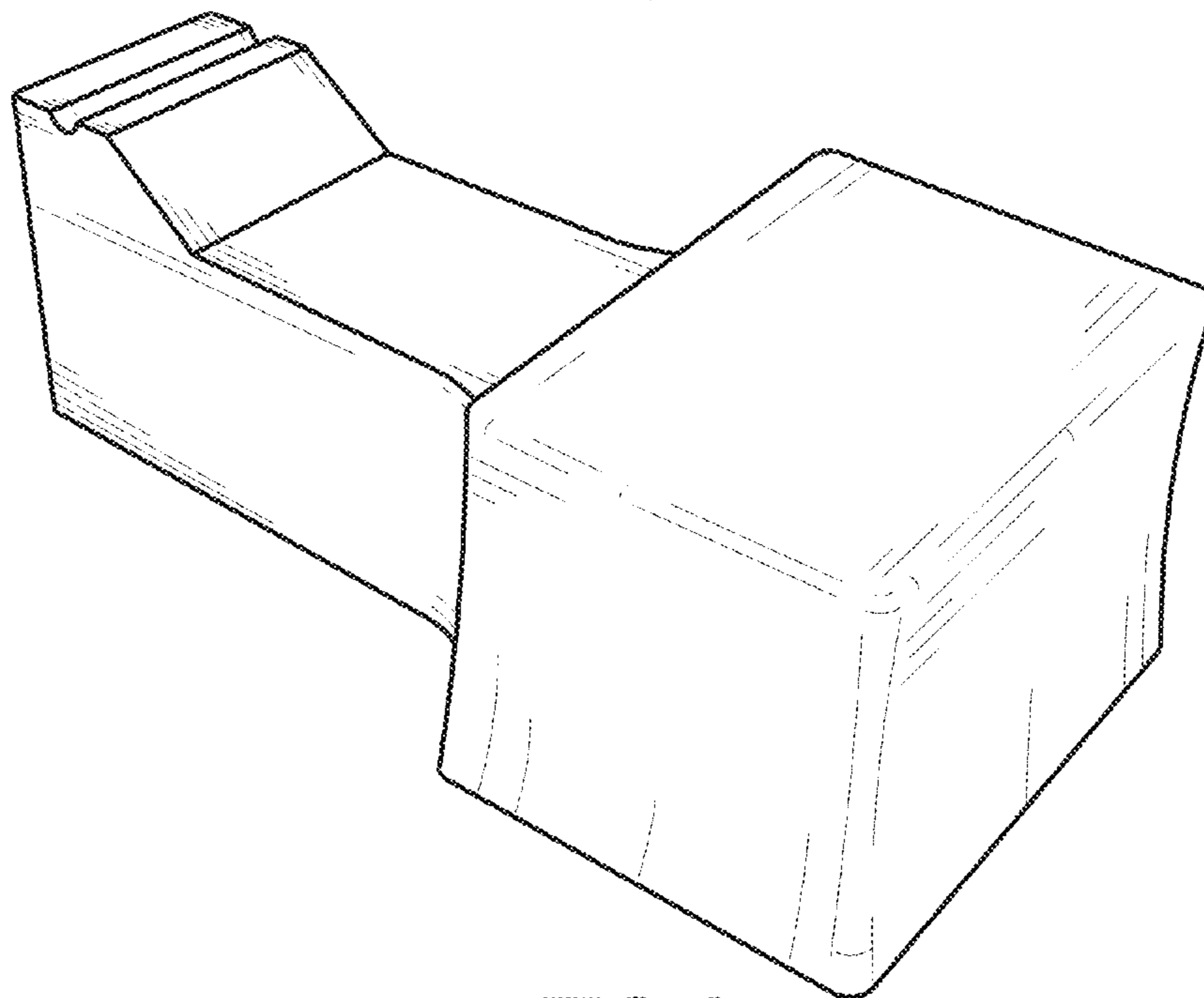


FIG. 2

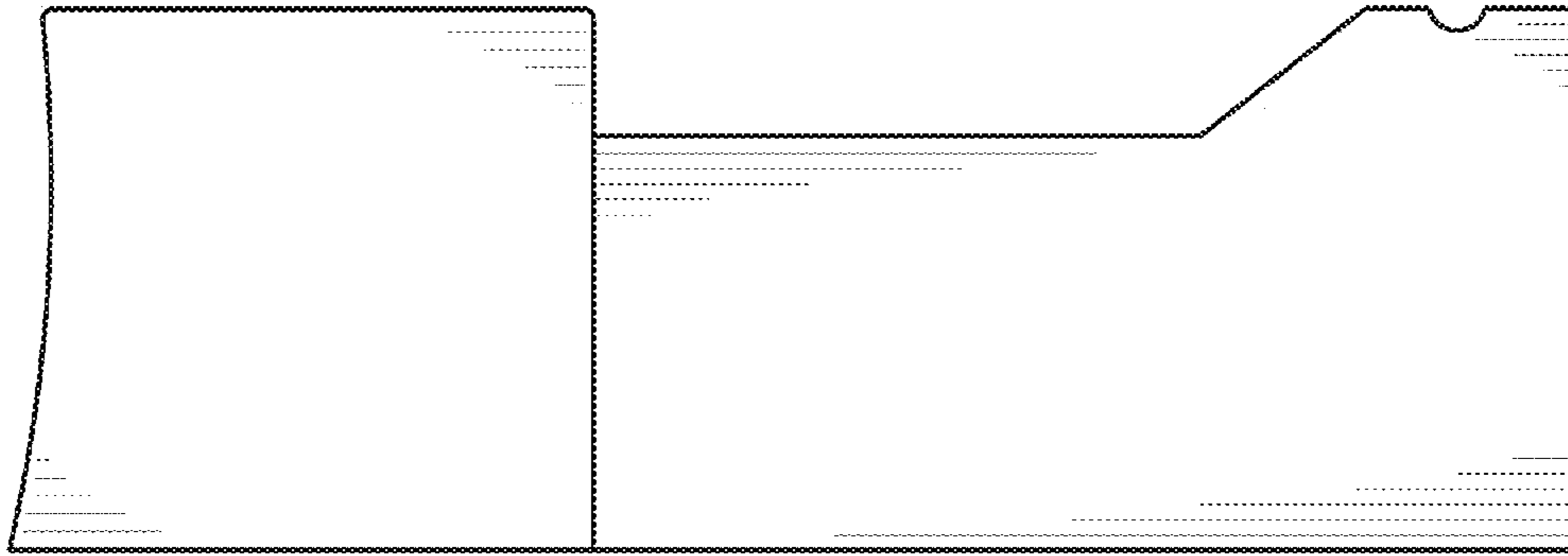


FIG. 3

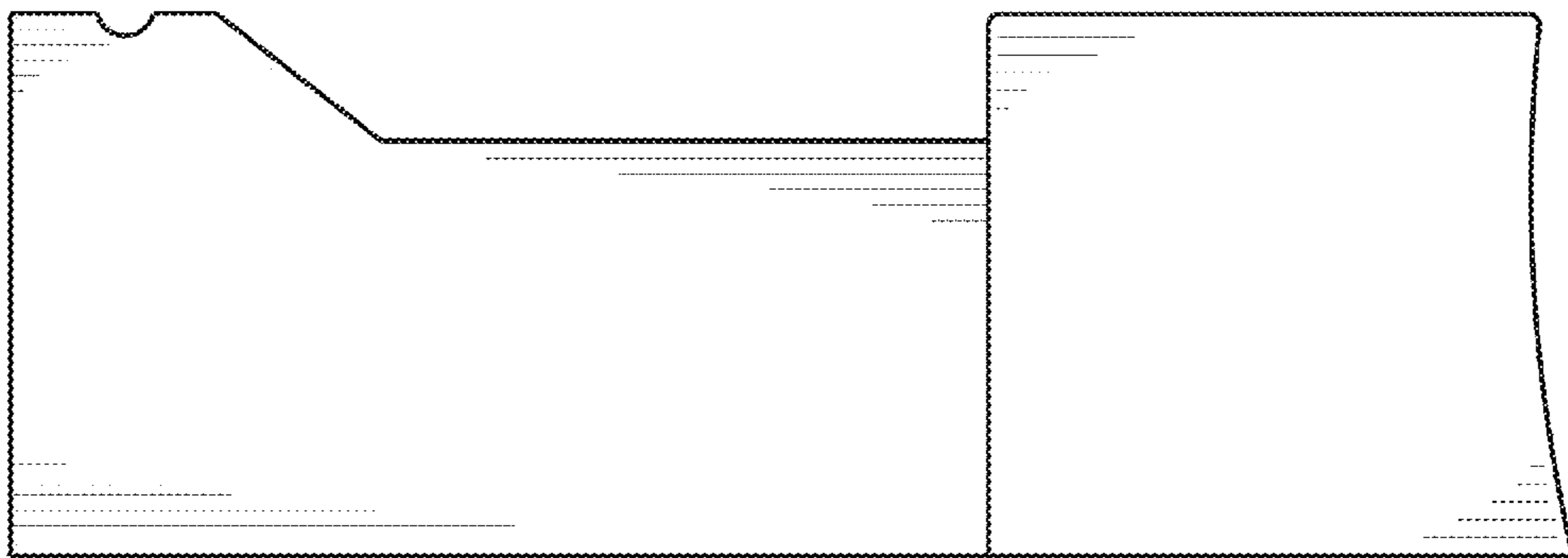


FIG. 4

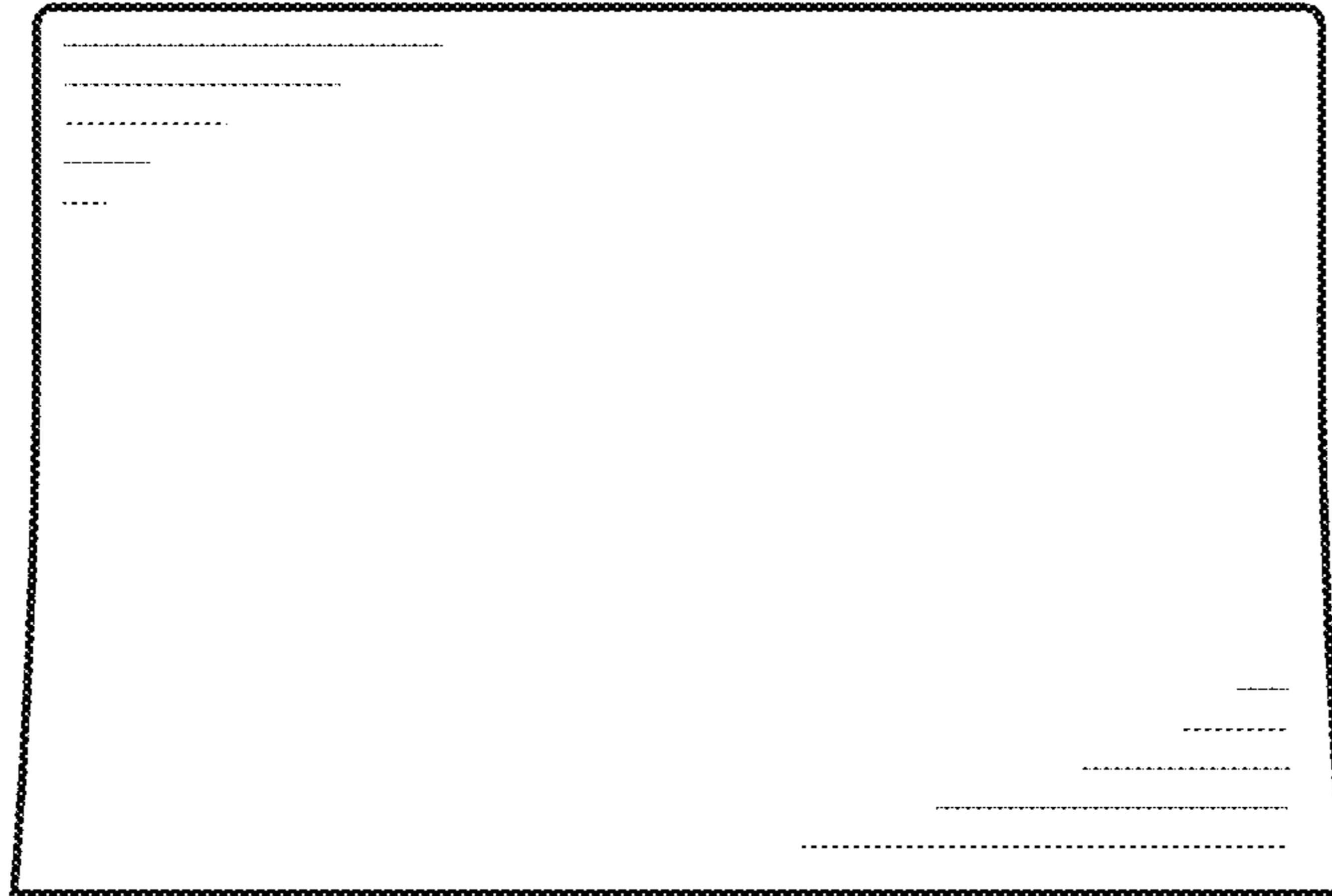


FIG. 5

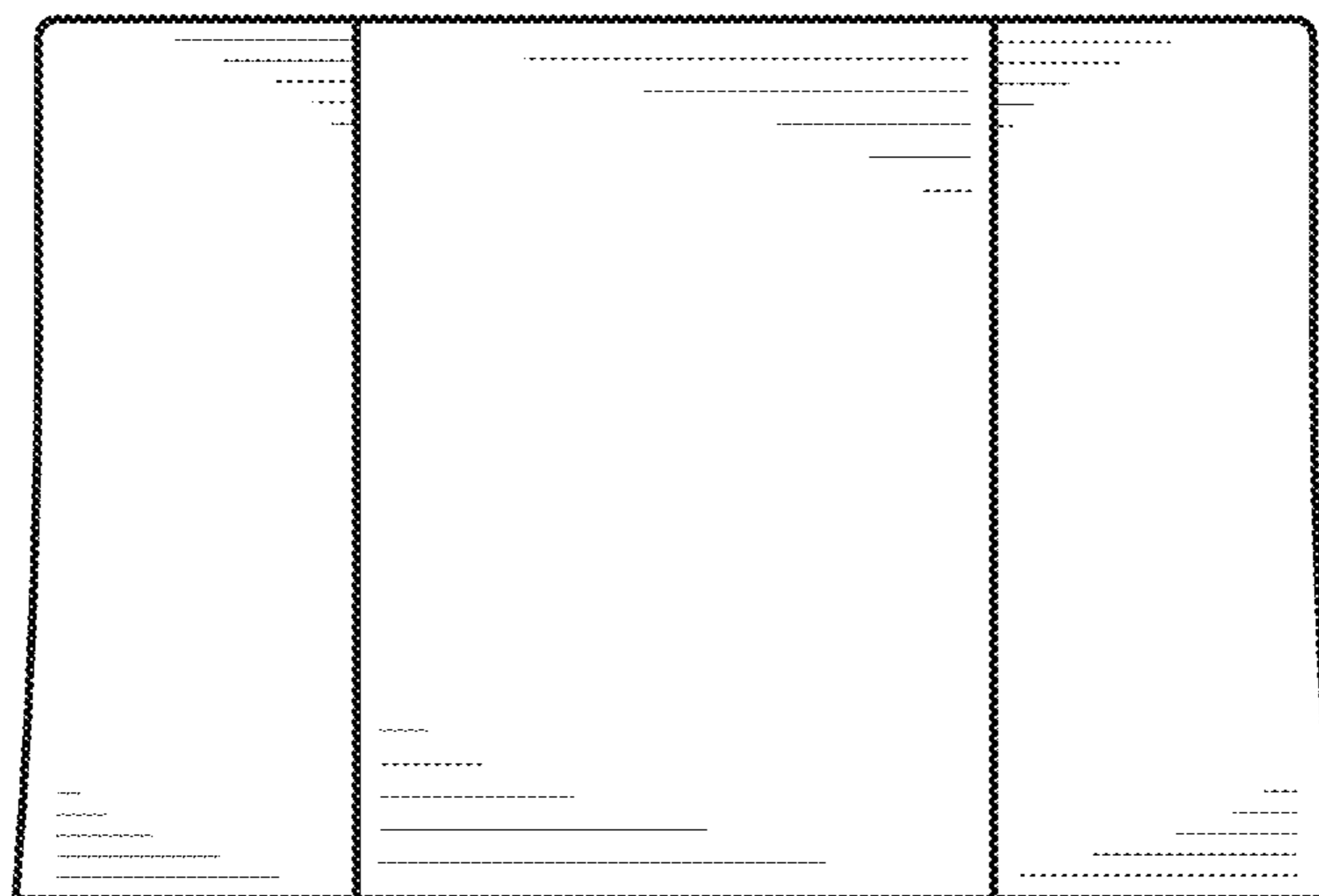


FIG. 6

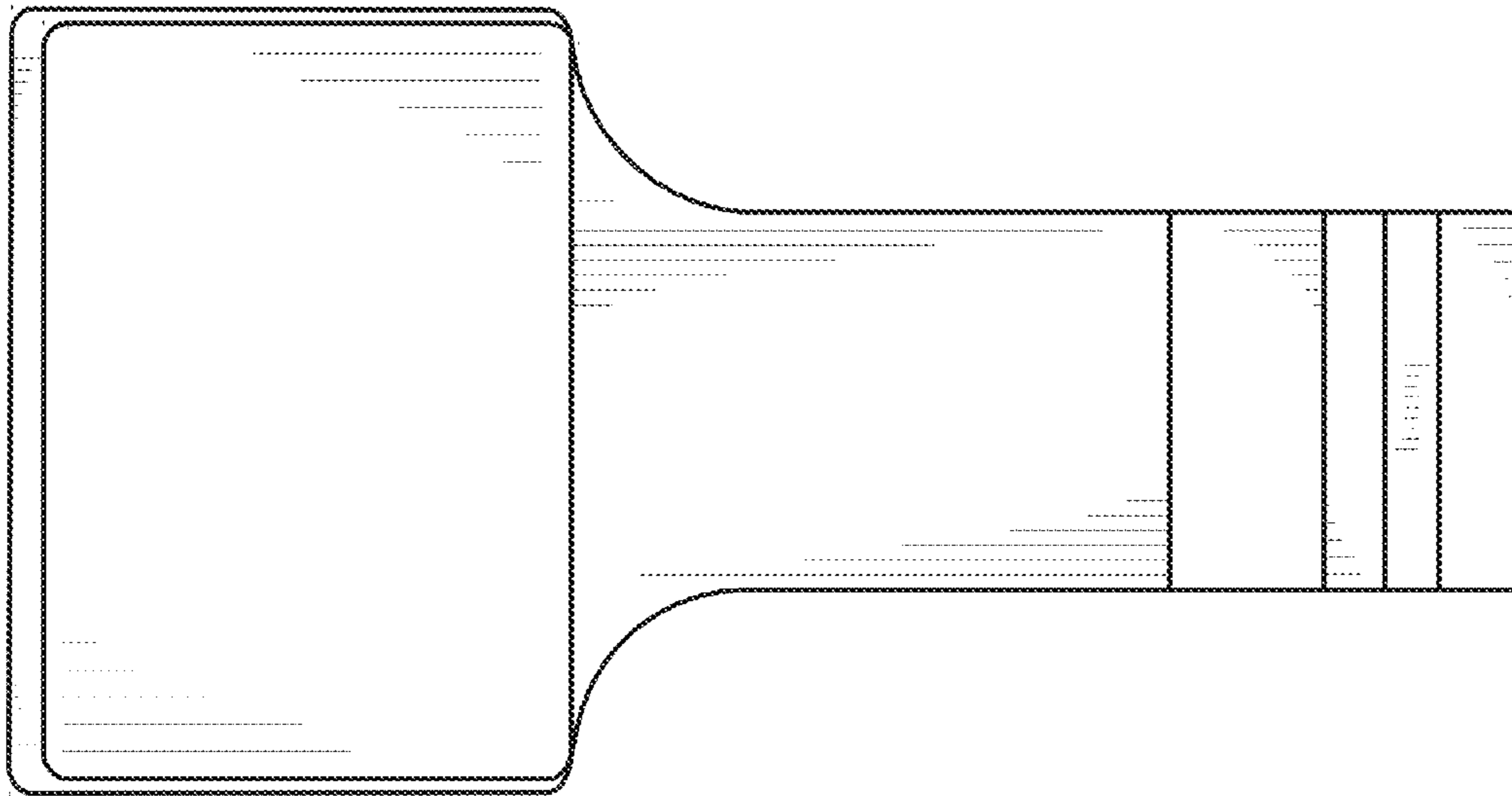


FIG. 7