



US00D748402S

(12) **United States Design Patent**
Buzruk et al.

(10) **Patent No.:** **US D748,402 S**
(45) **Date of Patent:** **** Feb. 2, 2016**

(54) **HANGER ASSEMBLY**

223/96

(71) Applicant: **Whirlpool Corporation**, Benton Harbor, MI (US)

4,895,283 A	1/1990	Evangelist et al.	
5,511,701 A	4/1996	Lam	
5,598,957 A	2/1997	Bell	
6,068,166 A	5/2000	Kilian et al.	
6,094,801 A *	8/2000	Howe	E04H 15/42 135/115
6,179,174 B1	1/2001	Kandl	
6,722,538 B1	4/2004	Autry et al.	
6,964,360 B2	11/2005	Tubman et al.	
D533,362 S *	12/2006	Giampavolo	D6/328
D545,068 S *	6/2007	Giampavolo	D6/315
D630,445 S *	1/2011	Crawford	D6/319

(72) Inventors: **Abhishek Buzruk**, Pune (IN); **Amit Sood**, Pune (IN)

(73) Assignee: **Whirlpool Corporation**, Benton Harbor, MI (US)

(**) Term: **14 Years**

(Continued)

(21) Appl. No.: **29/515,904**

FOREIGN PATENT DOCUMENTS

(22) Filed: **Jan. 28, 2015**

DE 4007320 A1 9/1991

Related U.S. Application Data

Primary Examiner — Derrick Holland

(63) Continuation of application No. 29/468,701, filed on Oct. 2, 2013, now Pat. No. Des. 723,810.

Assistant Examiner — Lauren Calve

(51) **LOC (10) Cl.** **06-08**

(57) **CLAIM**

(52) **U.S. Cl.**

The ornamental design for a hanger assembly, as shown and described.

USPC **D6/328**; D6/319

DESCRIPTION

(58) **Field of Classification Search**

USPC D6/315-328; 223/85-98; 211/10, 13.1, 211/85.2, 86.01, 87.01, 113
CPC A47G 25/16; A47G 25/18; A47G 25/14; A47G 25/442; A47G 25/743; A47G 25/4023; A47F 5/0006

See application file for complete search history.

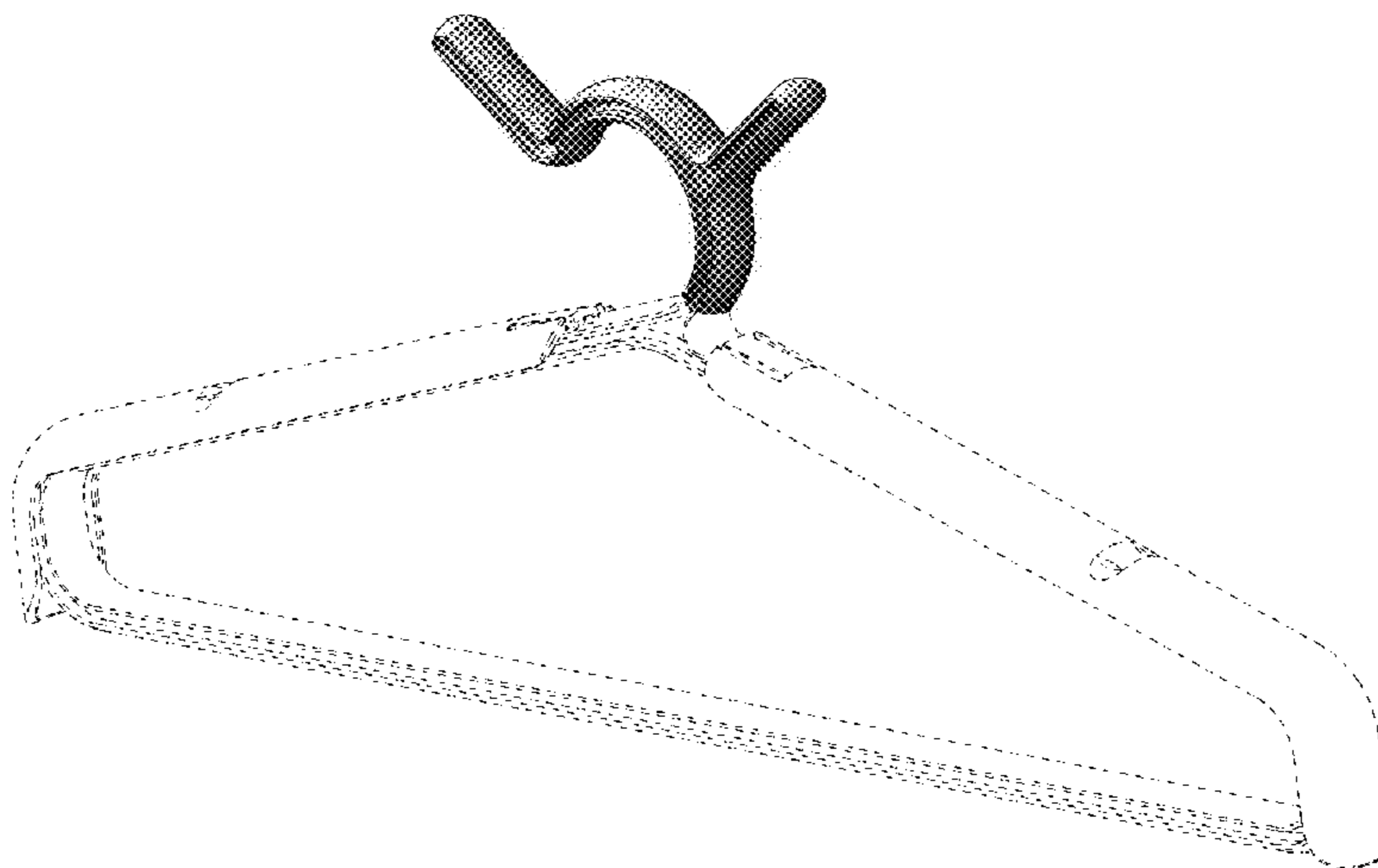
FIG. 1 is a front perspective view of a hanger assembly;
FIG. 2 is a front perspective view of the hanger assembly from FIG. 1, shown in an alternate configuration;
FIG. 3 is an exploded view of the hanger assembly from FIG. 1;
FIG. 4 is a front view of the hanger assembly from FIG. 1, the rear view being a mirror image thereof;
FIG. 5 is a right side view of the hanger assembly from FIG. 1;
FIG. 6 is a left side view of the hanger assembly from FIG. 1;
FIG. 7 is a top view of the hanger assembly from FIG. 1; and,
FIG. 8 is a bottom view of the hanger assembly from FIG. 1.
The broken lines shown represent unclaimed subject matter and form no part of the claimed design.

(56) **References Cited**

U.S. PATENT DOCUMENTS

2,421,433 A	6/1947	Poole	
2,494,711 A	1/1950	Kusher et al.	
2,652,958 A	9/1953	Alvord	
2,679,958 A *	6/1954	Massa	A47G 25/442 223/89
2,722,351 A	11/1955	Dyer	
3,443,289 A *	5/1969	Crockett, Jr.	A47G 25/485

1 Claim, 6 Drawing Sheets



US D748,402 S

Page 2

(56)

References Cited

U.S. PATENT DOCUMENTS

D723,810 S * 3/2015 Buzruk D6/319
D738,119 S * 9/2015 Buzruk D6/319
2008/0173679 A1* 7/2008 McNeely D06F 59/02
223/86

2008/0257920 A1* 10/2008 Spencer A47G 25/442
223/89

2010/0282785 A1 11/2010 Roselle et al.

2011/0121041 A1* 5/2011 Tukulj-Popovic . A47G 25/7442
223/94

* cited by examiner

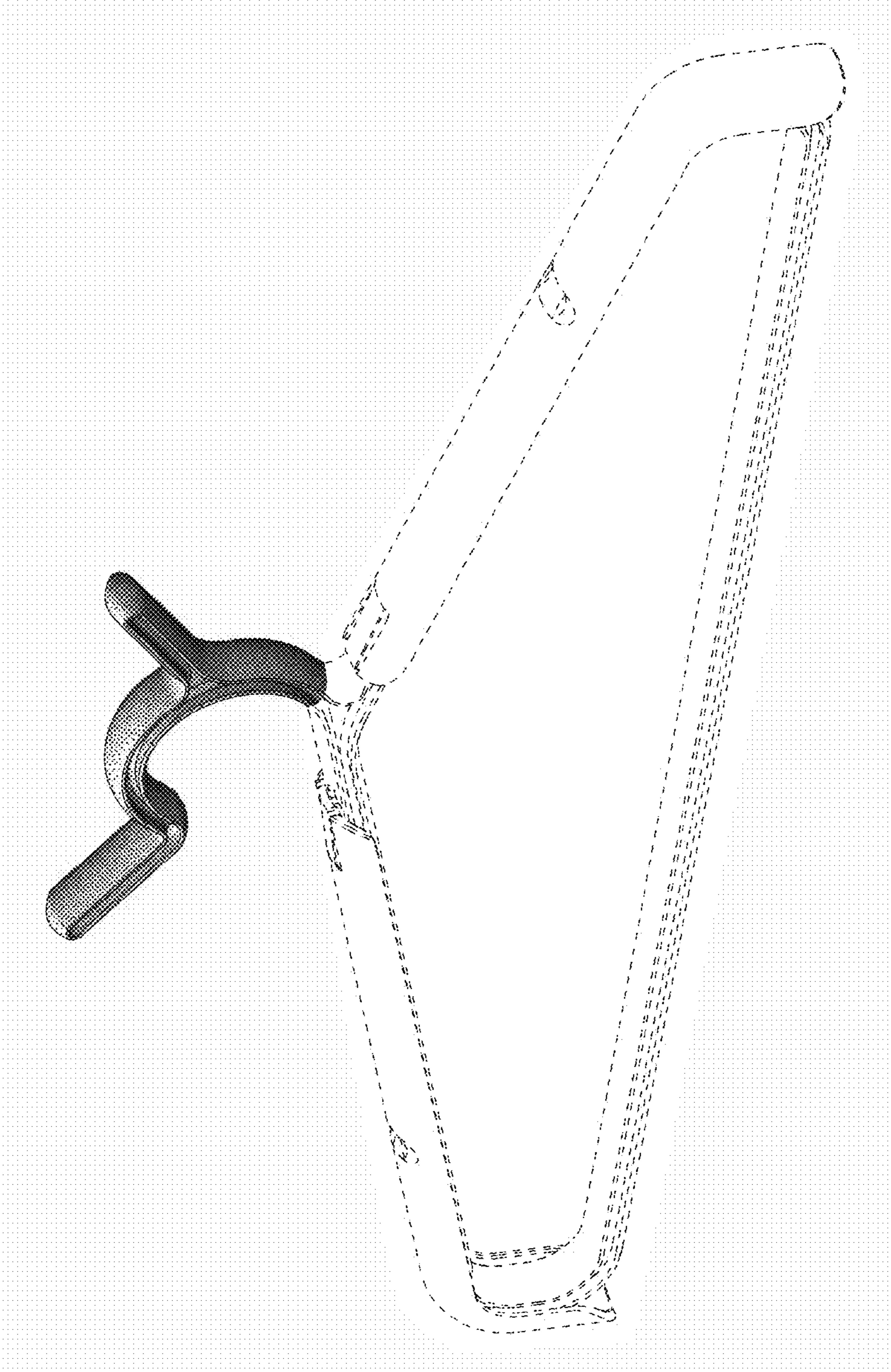


FIG. 1

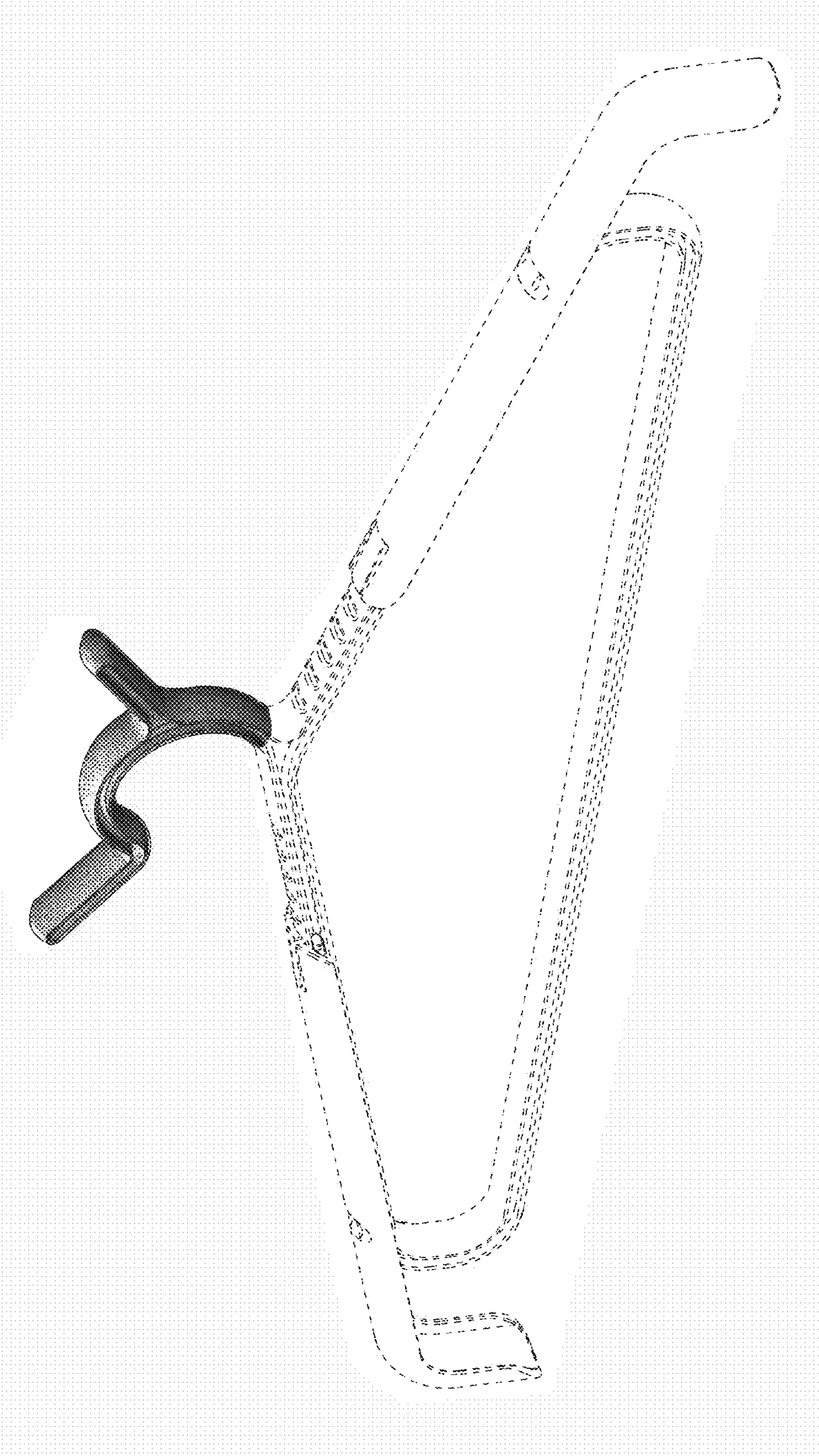


FIG. 2

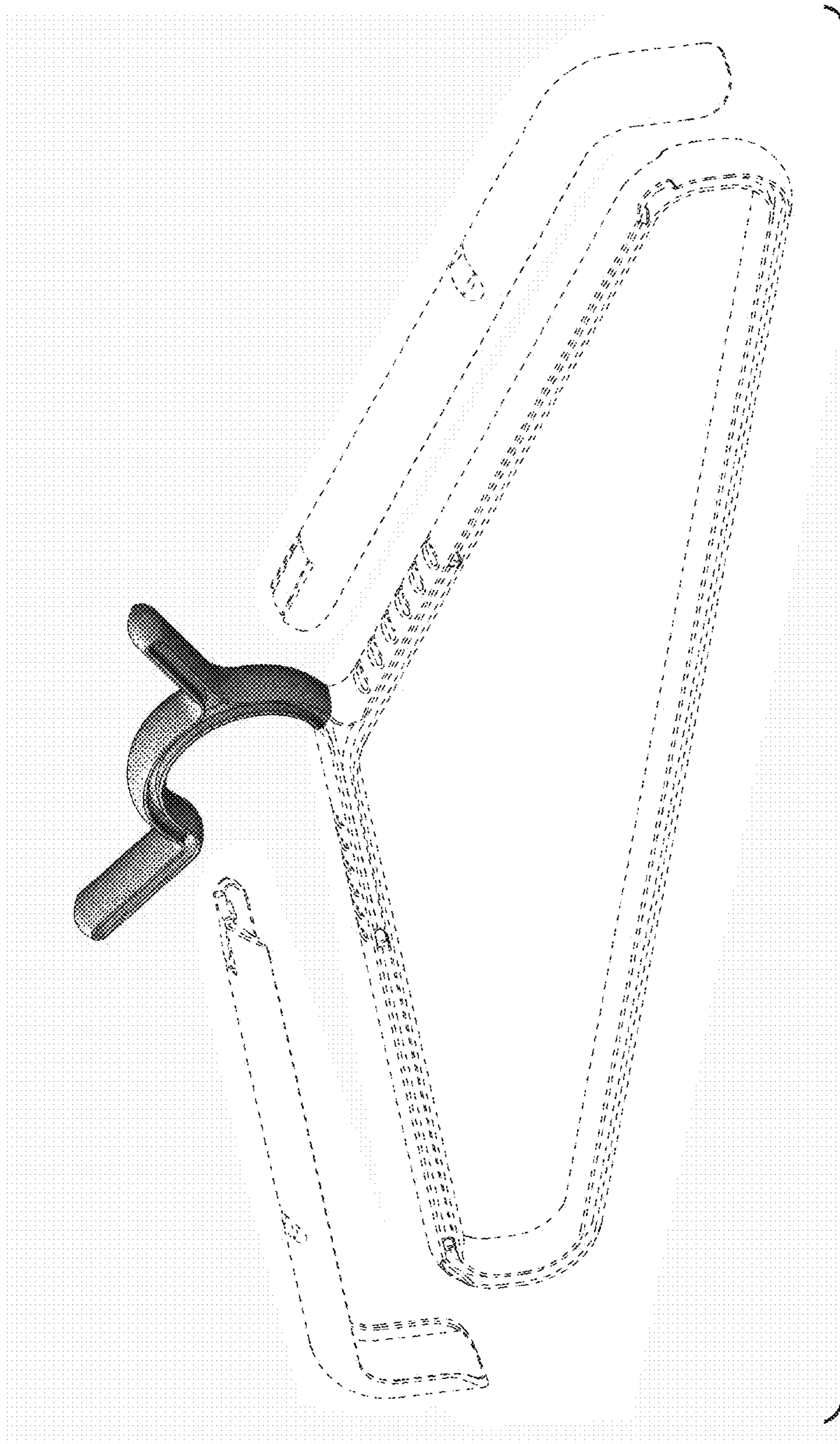


FIG. 3

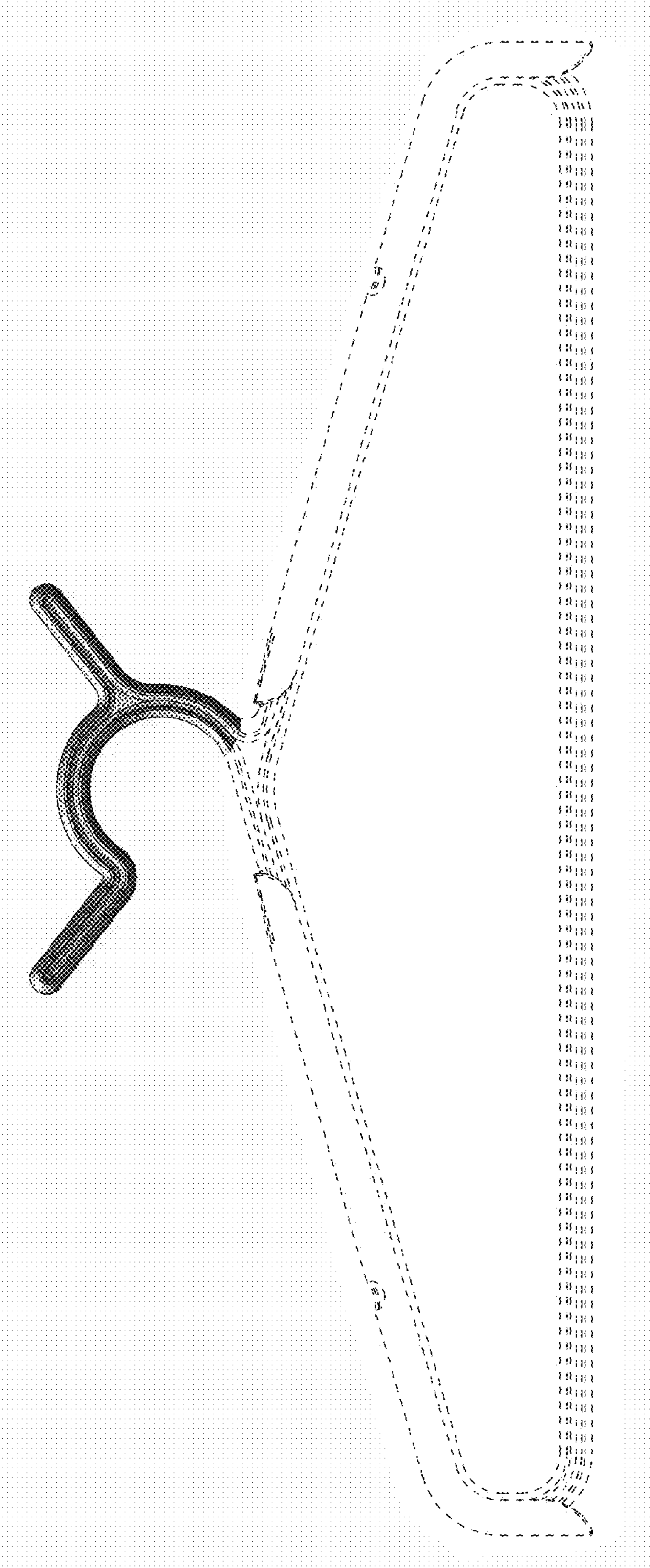


FIG. 4

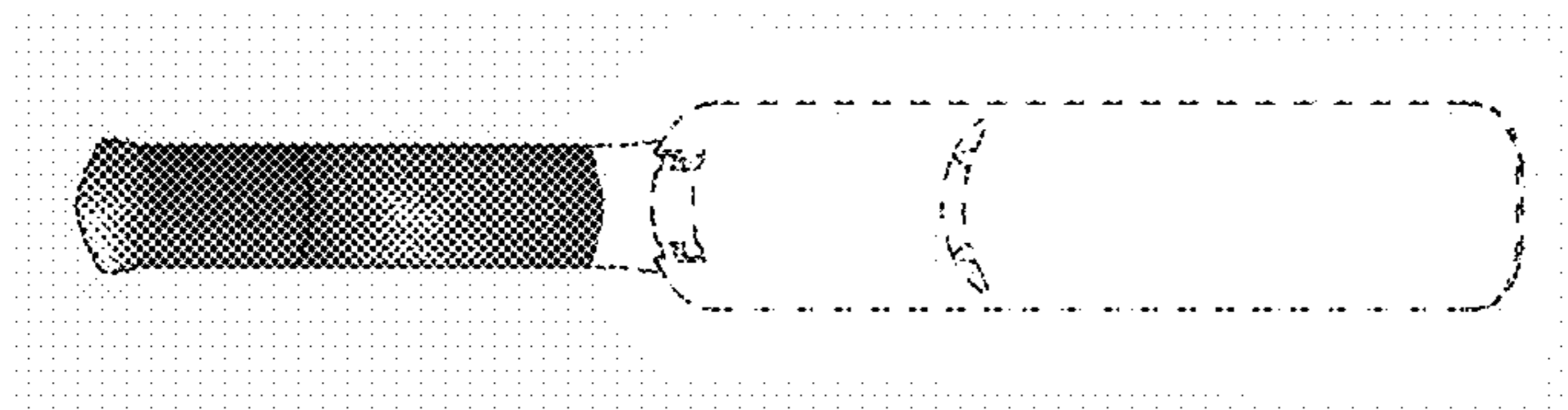


FIG. 5

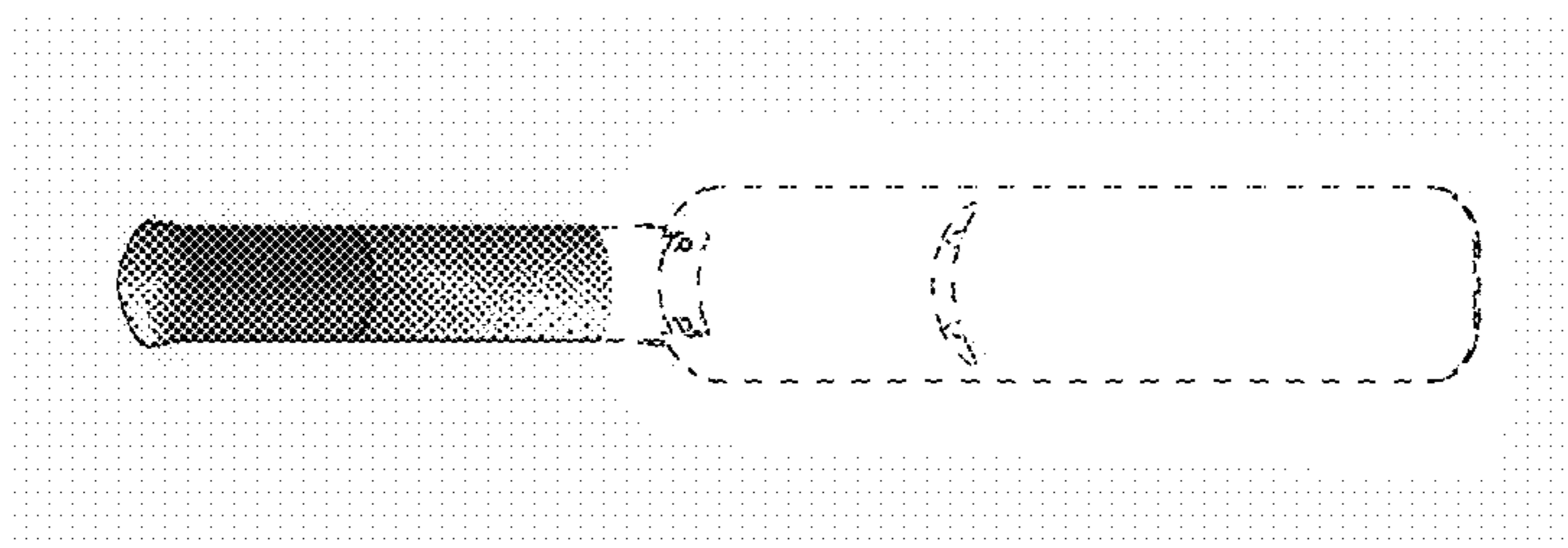


FIG. 6

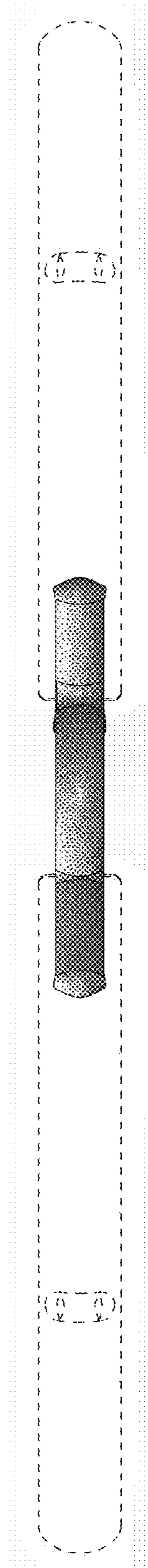


FIG. 7

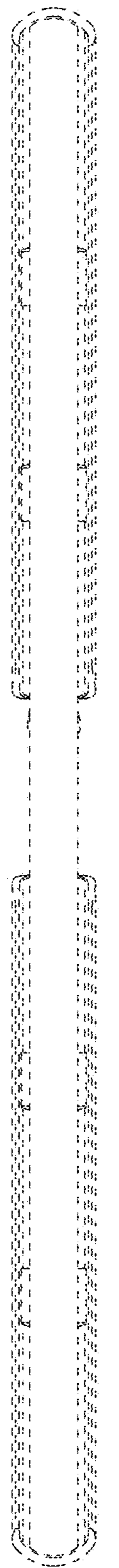


FIG. 8