



US00D748399S

(12) **United States Design Patent**
Lu

(10) **Patent No.:** **US D748,399 S**
(45) **Date of Patent:** **** Feb. 2, 2016**

- (54) **GRILL BRUSH**
- (71) Applicant: **James Lu**, Alpharetta, GA (US)
- (72) Inventor: **James Lu**, Alpharetta, GA (US)
- (73) Assignees: **International Business Corporation**, Alpharetta, GA (US); **Progressive Global Enterprises Co., Ltd.**, Taipei (TW)
- (**) Term: **14 Years**
- (21) Appl. No.: **29/499,972**
- (22) Filed: **Aug. 20, 2014**
- (51) **LOC (10) Cl.** **04-01**
- (52) **U.S. Cl.**
USPC **D4/118**
- (58) **Field of Classification Search**
USPC D4/104–118, 121, 127–133, 135, 138, D4/199; 15/105–107, 111, 114–115, 117, 15/121, 143.1, 160, 171–172, 236.01, 15/236.02, 236.07, 236.08, 236.09, 244.1, 15/244.4; D32/15, 19, 35, 40, 42, 46, 48, D32/49, 51; D8/10, 11, 90, 94; D15/18
CPC A46B 15/0081; A46B 15/0055; A46B 5/026; A46B 5/005; A47L 13/022; A47L 13/08; A47L 13/06
See application file for complete search history.

- (56) **References Cited**
U.S. PATENT DOCUMENTS
1,587,024 A * 6/1926 Murphy A47L 23/08 15/107
1,870,057 A * 8/1932 Levin A46B 17/08 15/107
D307,517 S * 5/1990 Mallory D32/41
D343,297 S * 1/1994 Haines D28/63
D366,962 S * 2/1996 Whitaker D32/42
D374,557 S * 10/1996 Whitaker D32/42

- D394,352 S * 5/1998 Berti D4/132
- D400,328 S * 10/1998 Zemel D32/42
- D411,368 S * 6/1999 Liu D32/42
- D417,550 S * 12/1999 Lu D32/42
- D453,251 S * 1/2002 Gringer D32/48
- D456,614 S * 5/2002 Zemel D4/134
- 6,438,784 B1 * 8/2002 Yu A46B 7/04 15/105
- D466,307 S * 12/2002 Cantrell D32/42
- D502,323 S * 3/2005 Zemel D4/120
- D505,749 S * 5/2005 Angeletta D28/7
- D507,682 S * 7/2005 Dunn D30/158
- D508,299 S * 8/2005 Dunn D30/158
- D530,098 S * 10/2006 Neal D4/118
- D540,543 S * 4/2007 Hay D4/118
- D609,916 S * 2/2010 Benson D32/35
- D612,155 S * 3/2010 Falkins D4/102
- 8,615,838 B1 * 12/2013 Lu A47L 13/12 15/111
- D741,068 S * 10/2015 Frazier D4/114
- 2015/0265038 A1 * 9/2015 Spinosa A46B 5/0008 15/106

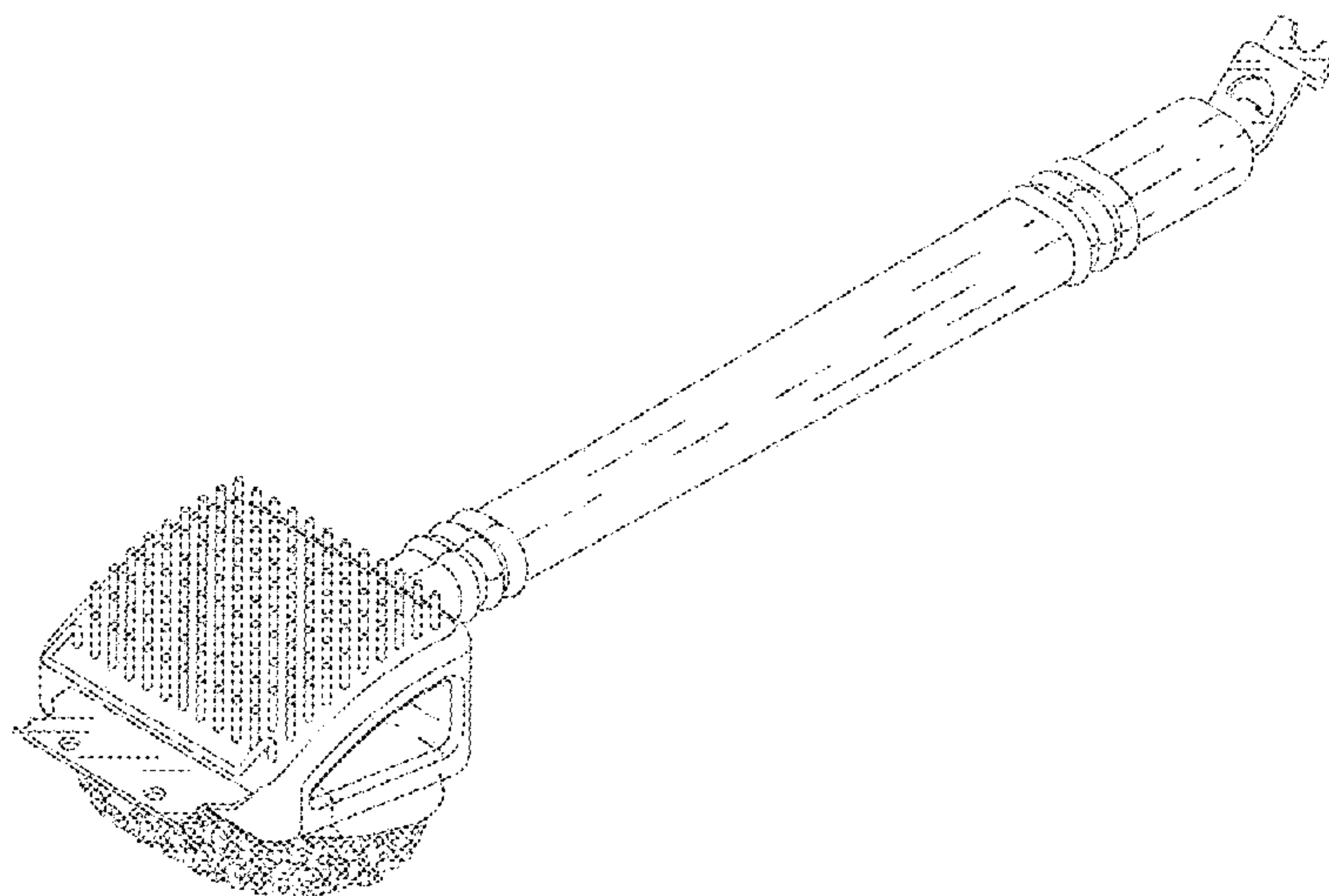
* cited by examiner
Primary Examiner — Cynthia Ramirez
Assistant Examiner — Llorellys Martinez-Rivera
(74) *Attorney, Agent, or Firm* — Rodgers & Rodgers

(57) **CLAIM**
The ornamental design for a grill brush, as shown and described.

DESCRIPTION

FIG. 1 is a perspective view of a grill brush showing my new design;
FIG. 2 is a front elevational view thereof, the rear being a mirror image thereof;
FIG. 3 is a left-side elevational view thereof;
FIG. 4 is a bottom plan view thereof;
FIG. 5 is a top plan view thereof; and,
FIG. 6 is a right-side elevational view thereof.

1 Claim, 6 Drawing Sheets



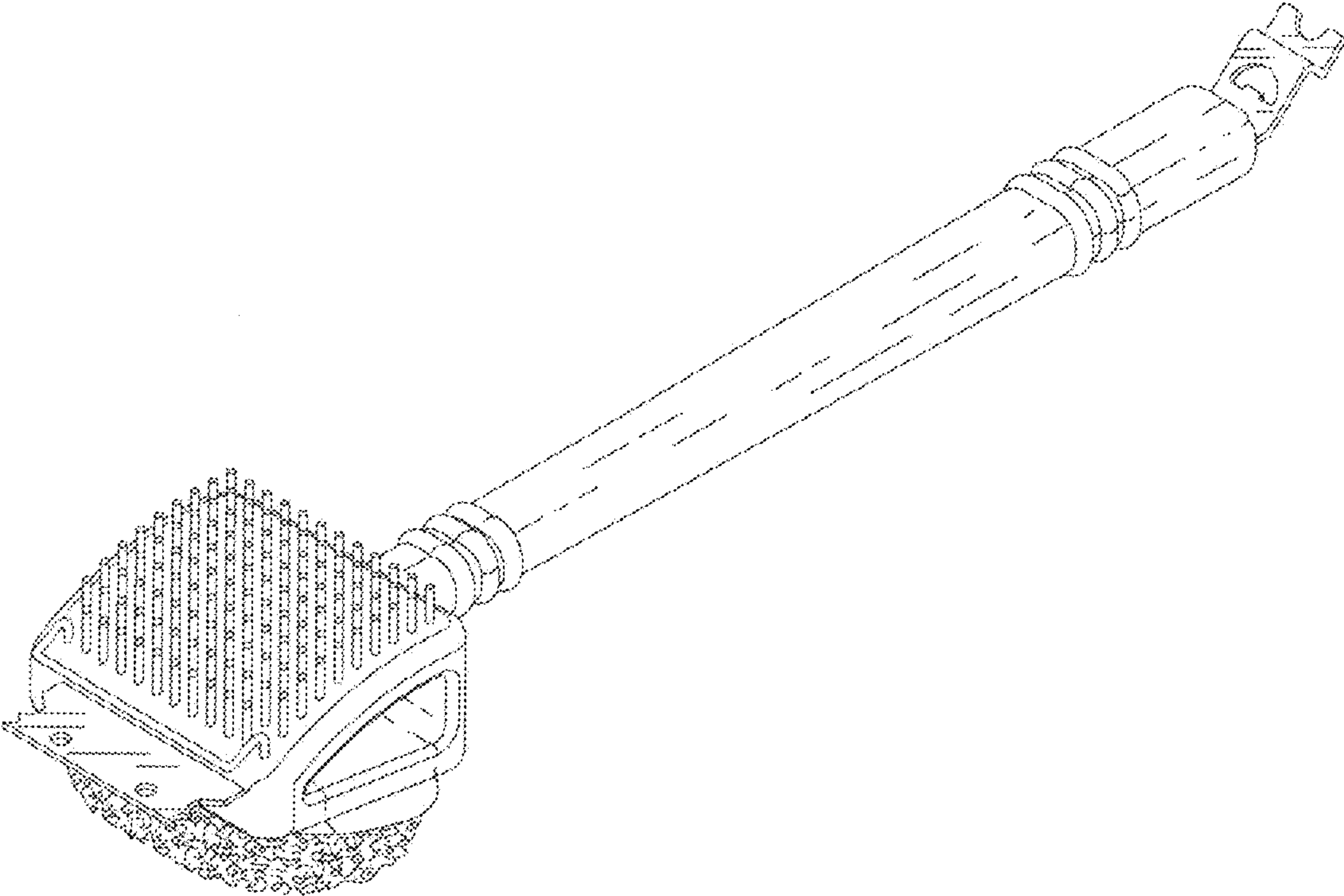


FIG. 1

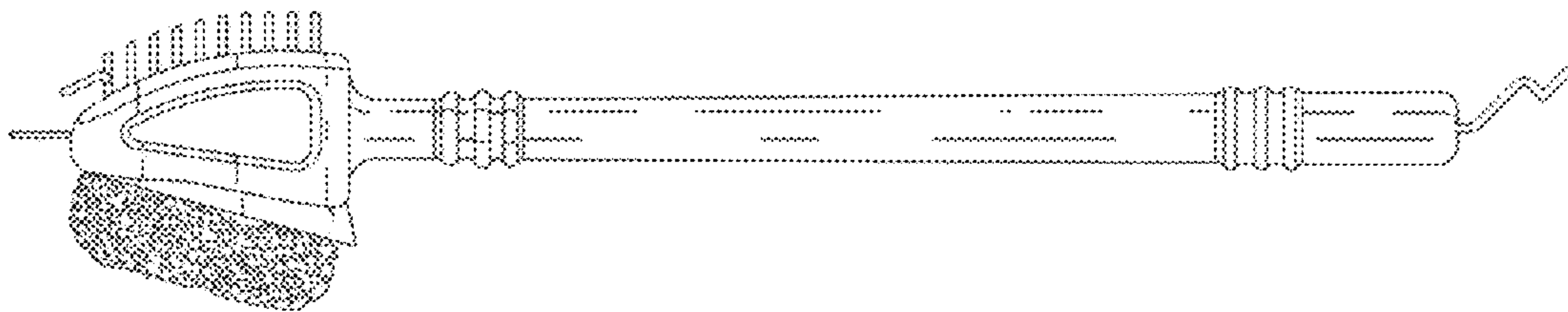


FIG. 2

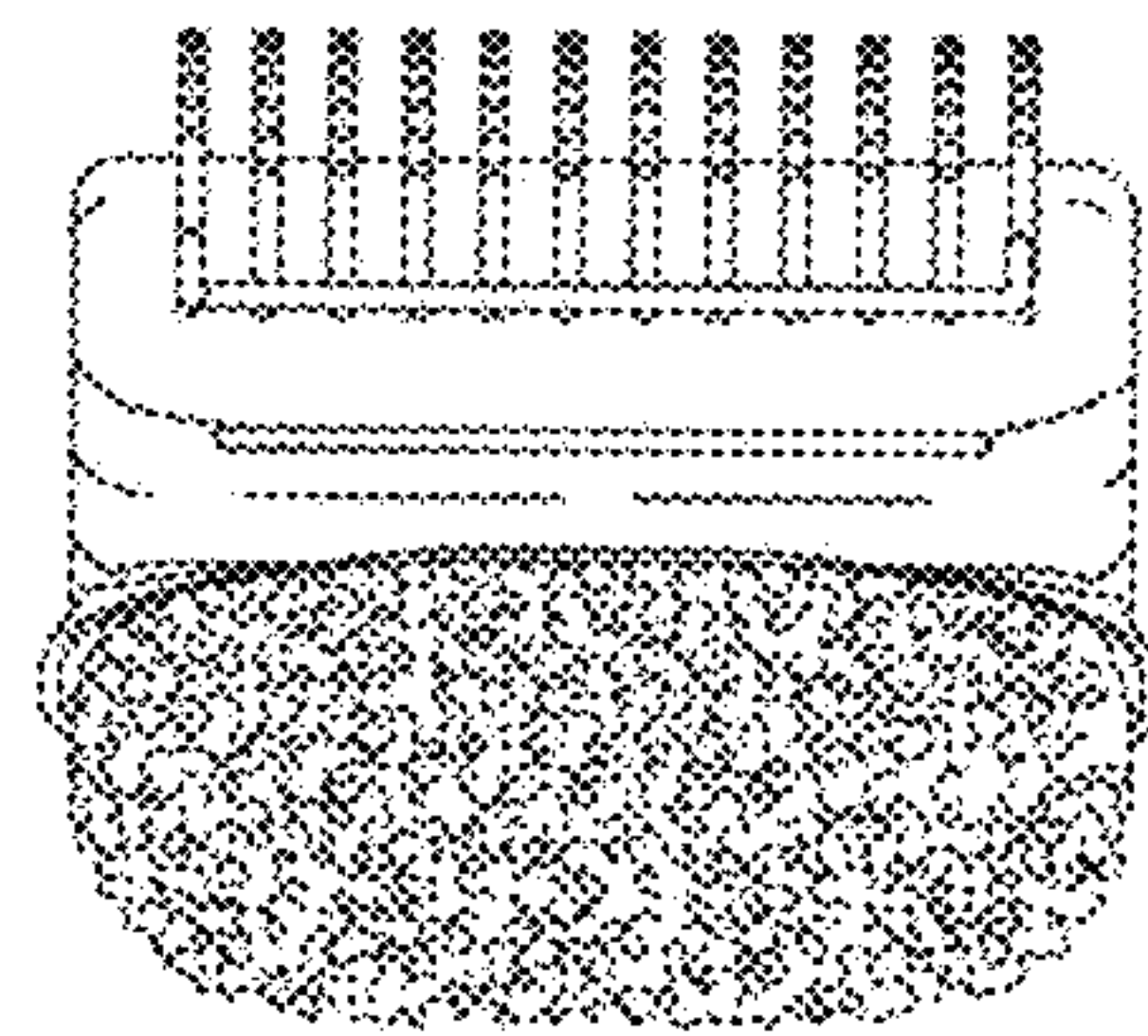


FIG. 3

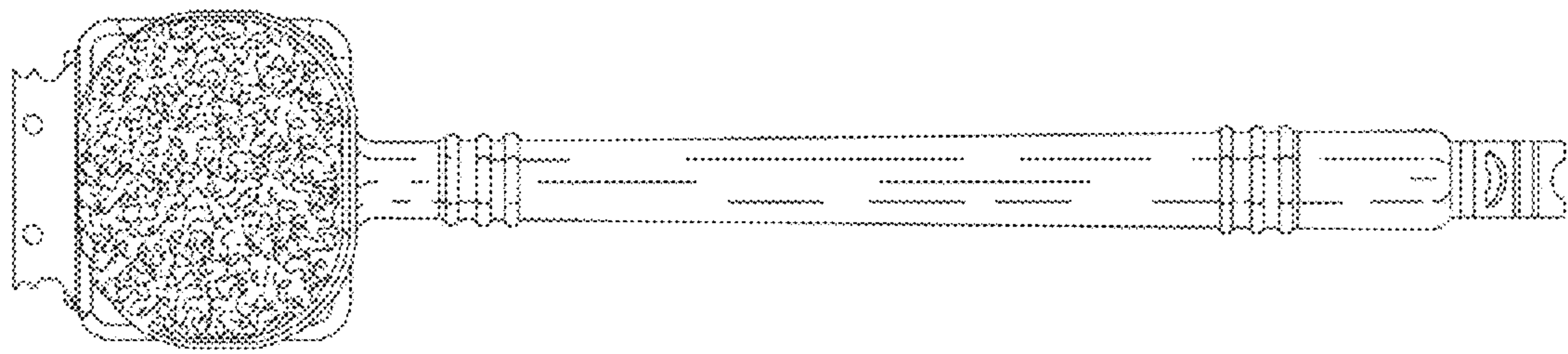


FIG. 4

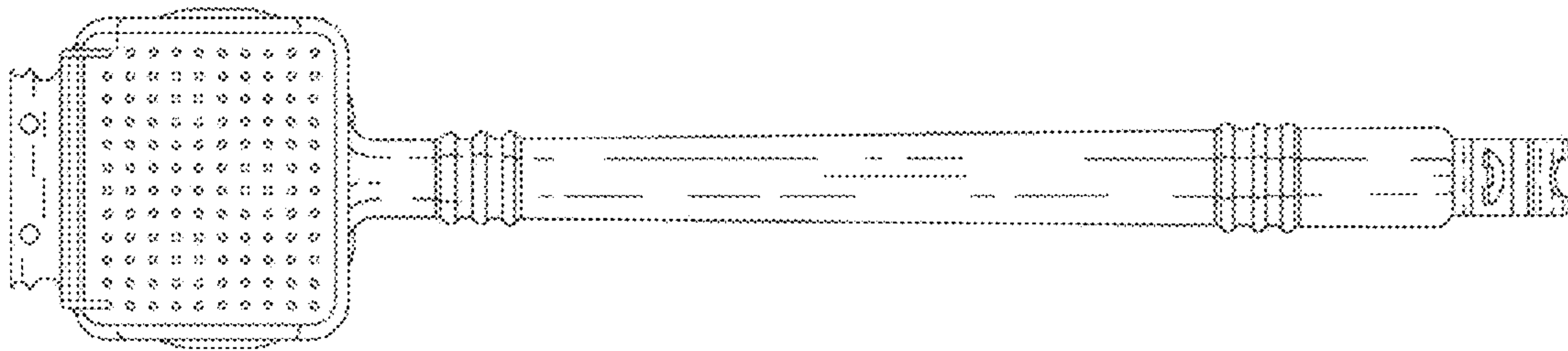


FIG. 5

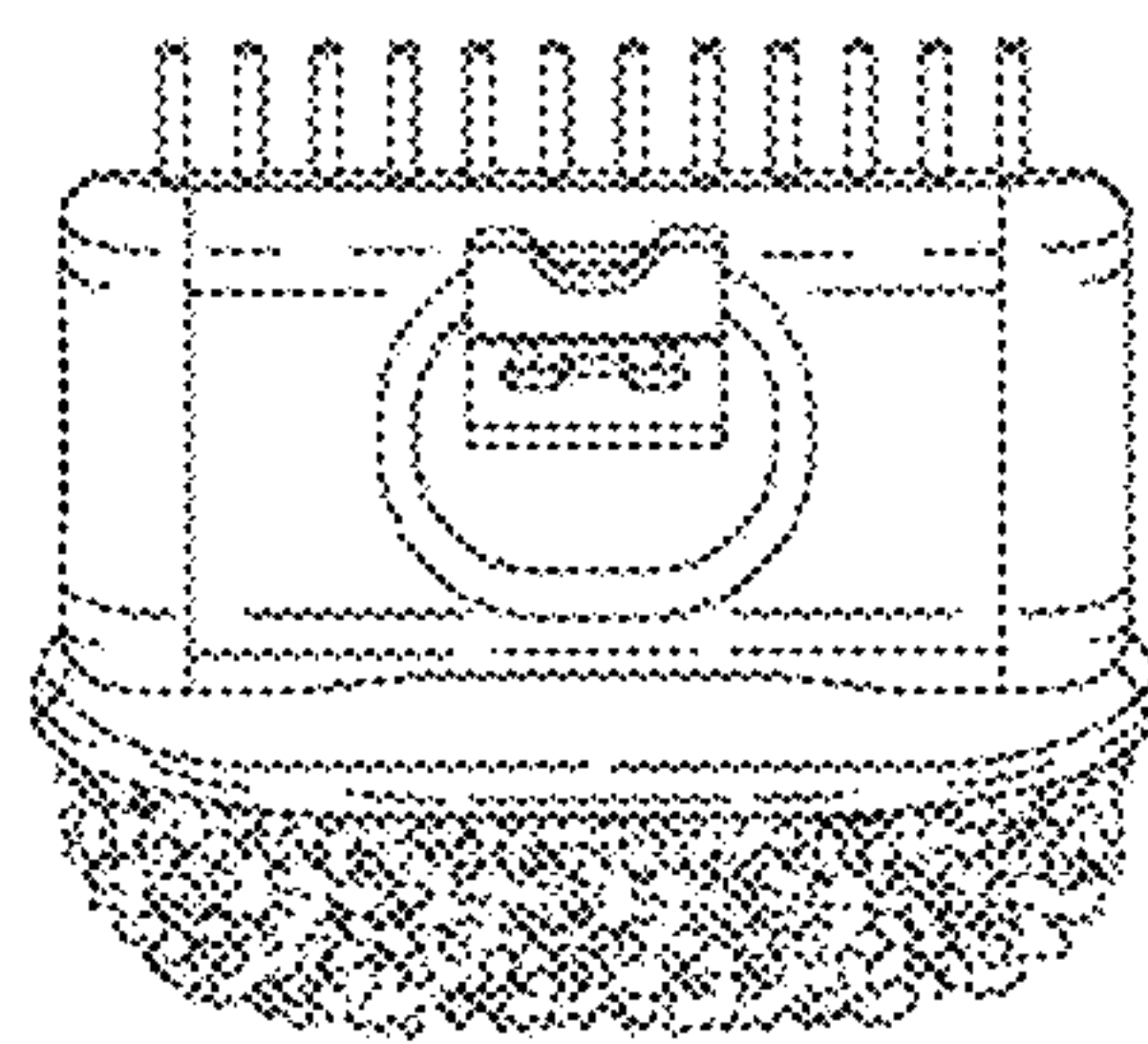


FIG. 6