



US00D748397S

(12) **United States Design Patent**  
**Wagner**

(10) **Patent No.:** **US D748,397 S**

(45) **Date of Patent:** **\*\* \*Feb. 2, 2016**

(54) **FINGER BRUSH**

(71) Applicant: **Eugene Carl Wagner**, Pacific Palisades,  
CA (US)

(72) Inventor: **Eugene Carl Wagner**, Pacific Palisades,  
CA (US)

(\* ) Notice: This patent is subject to a terminal disclaimer.

(\*\*) Term: **14 Years**

(21) Appl. No.: **29/474,801**

(22) Filed: **Feb. 13, 2015**

(51) **LOC (10) Cl.** ..... **04-02**

(52) **U.S. Cl.**

USPC ..... **D4/103**

(58) **Field of Classification Search**

USPC ..... D4/103; D29/113, 114; 15/104.94, 227;  
401/6, 7; D3/29; 2/211; 223/101

CPC .. A46B 5/04; A46B 2200/01; A46B 2200/10;  
A46B 2200/1026; A46B 2200/1066; A47K  
7/02; A47K 7/03; A47L 13/18; A47L 13/19;  
A61F 13/10; A61F 13/104; A61F 13/105;  
D05B 91/04

See application file for complete search history.

(56) **References Cited**

**U.S. PATENT DOCUMENTS**

2,077,540 A \* 4/1937 Welker ..... D4/103  
D313,317 S \* 1/1991 Brunner et al. .... D4/103  
5,490,530 A \* 2/1996 Snowden ..... 132/311  
D459,808 S \* 7/2002 Safieh ..... D24/152

D595,508 S \* 7/2009 Wagner ..... D4/103  
7,744,137 B2 \* 6/2010 Mazyck ..... 294/25  
D637,763 S \* 5/2011 Hernandez ..... D29/114

**FOREIGN PATENT DOCUMENTS**

BR MU8900865 U2 \* 4/2010  
CN 201070106 Y \* 6/2008  
FR 2571601 A1 \* 4/1986 ..... A46B 5/04  
JP 10243818 A \* 9/1998  
RU 2043052 C1 \* 9/1995  
TW M290692 U \* 5/2006

\* cited by examiner

*Primary Examiner* — Melanie H Tung  
*Assistant Examiner* — Lavone D Tabor

(57) **CLAIM**

The ornamental design for a finger brush, as shown and described.

**DESCRIPTION**

FIG. 1 is a perspective view of a finger brush showing my new design;

FIG. 2 is a side view thereof;

FIG. 3 is a front view thereof;

FIG. 4 is a rear view thereof;

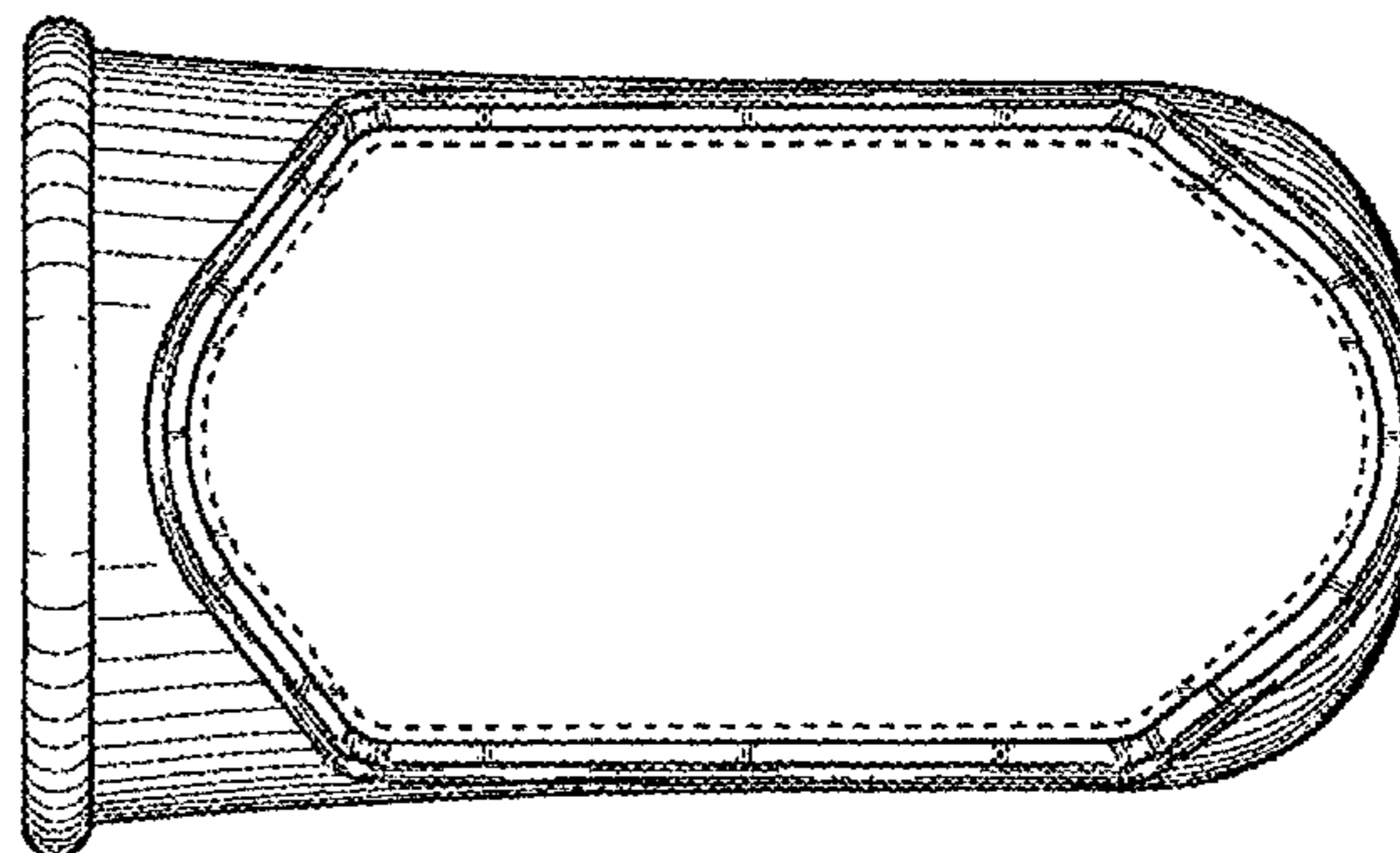
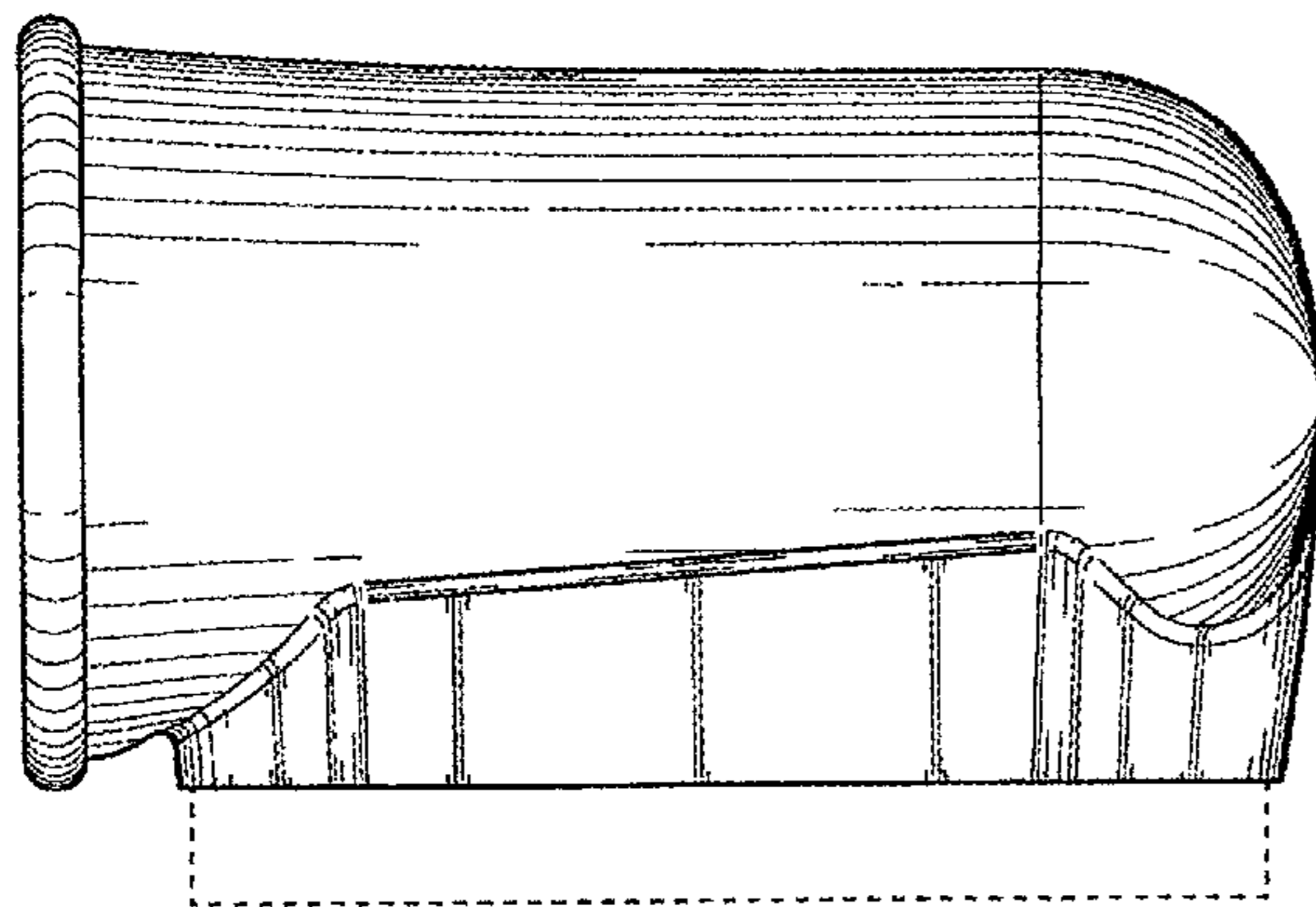
FIG. 5 is a top view thereof;

FIG. 6 is a bottom view thereof; and,

FIG. 7 is a reduced perspective view thereof shown mounted on the finger of a user's hand.

The broken lines showing a user's hand are for illustrative purposes only and form no part of the claimed design. The broken line structure projecting from the bottom of the article illustrates a portion of the finger brush that forms no part of the claimed design.

**1 Claim, 5 Drawing Sheets**



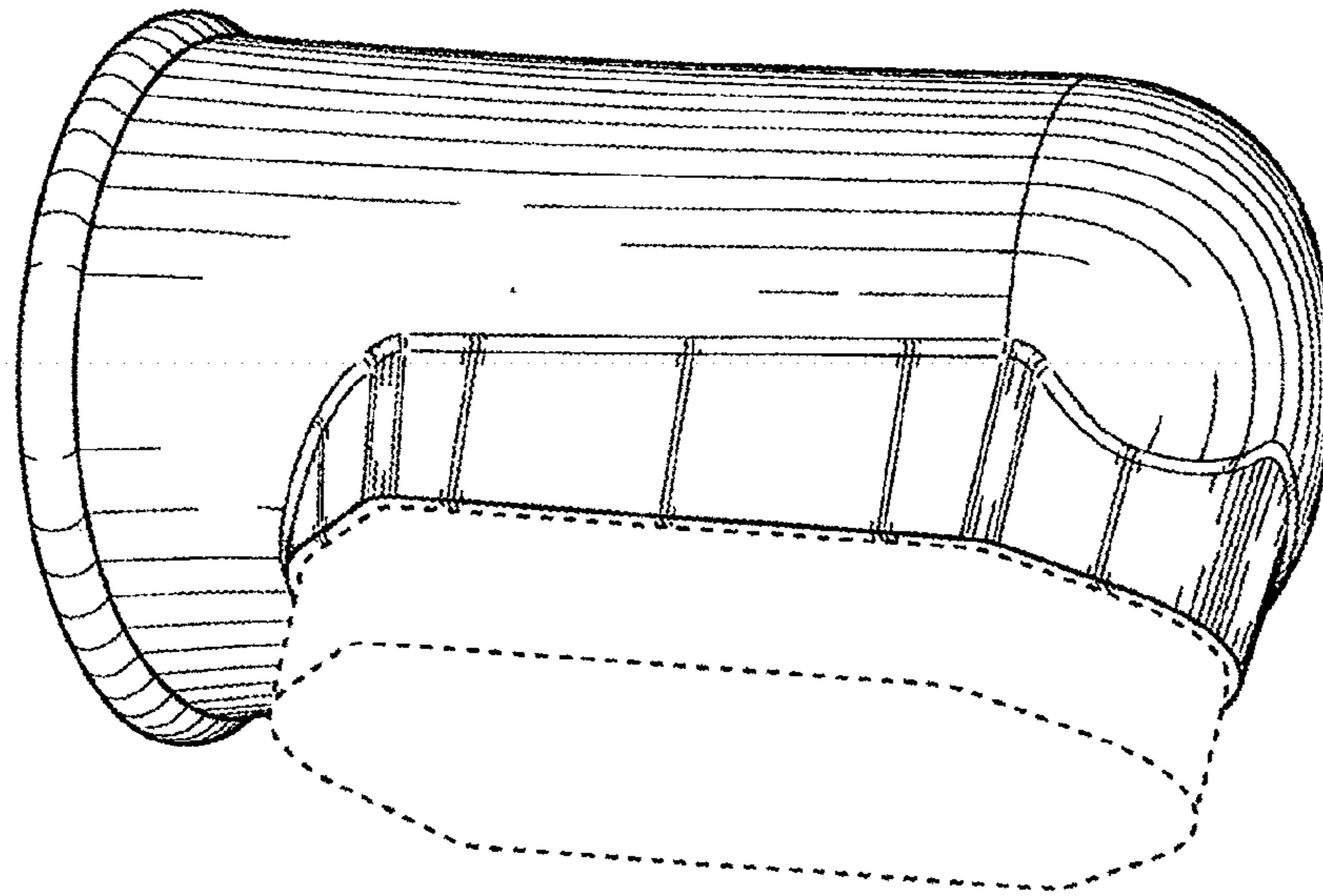


FIG. 1

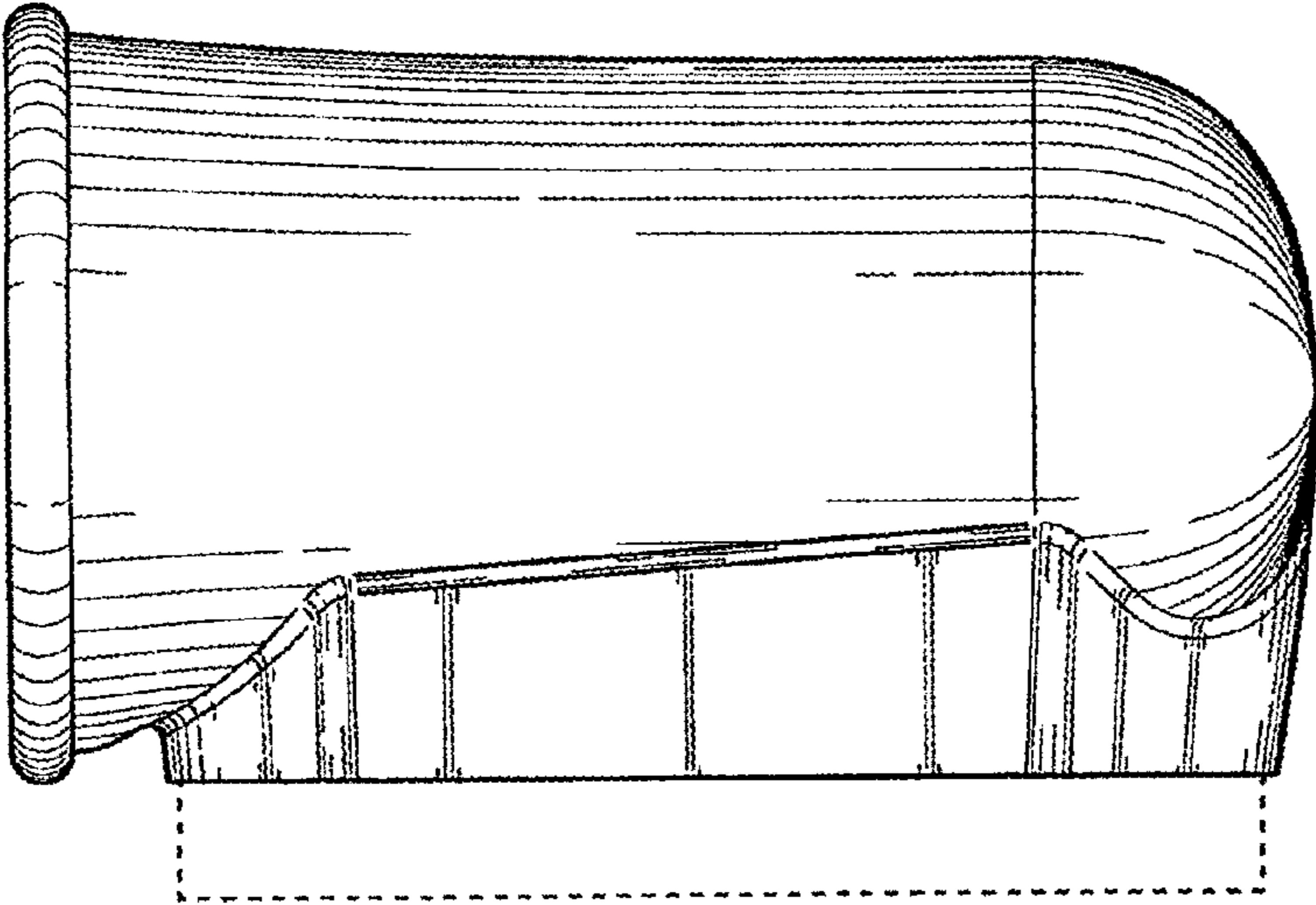


FIG. 2

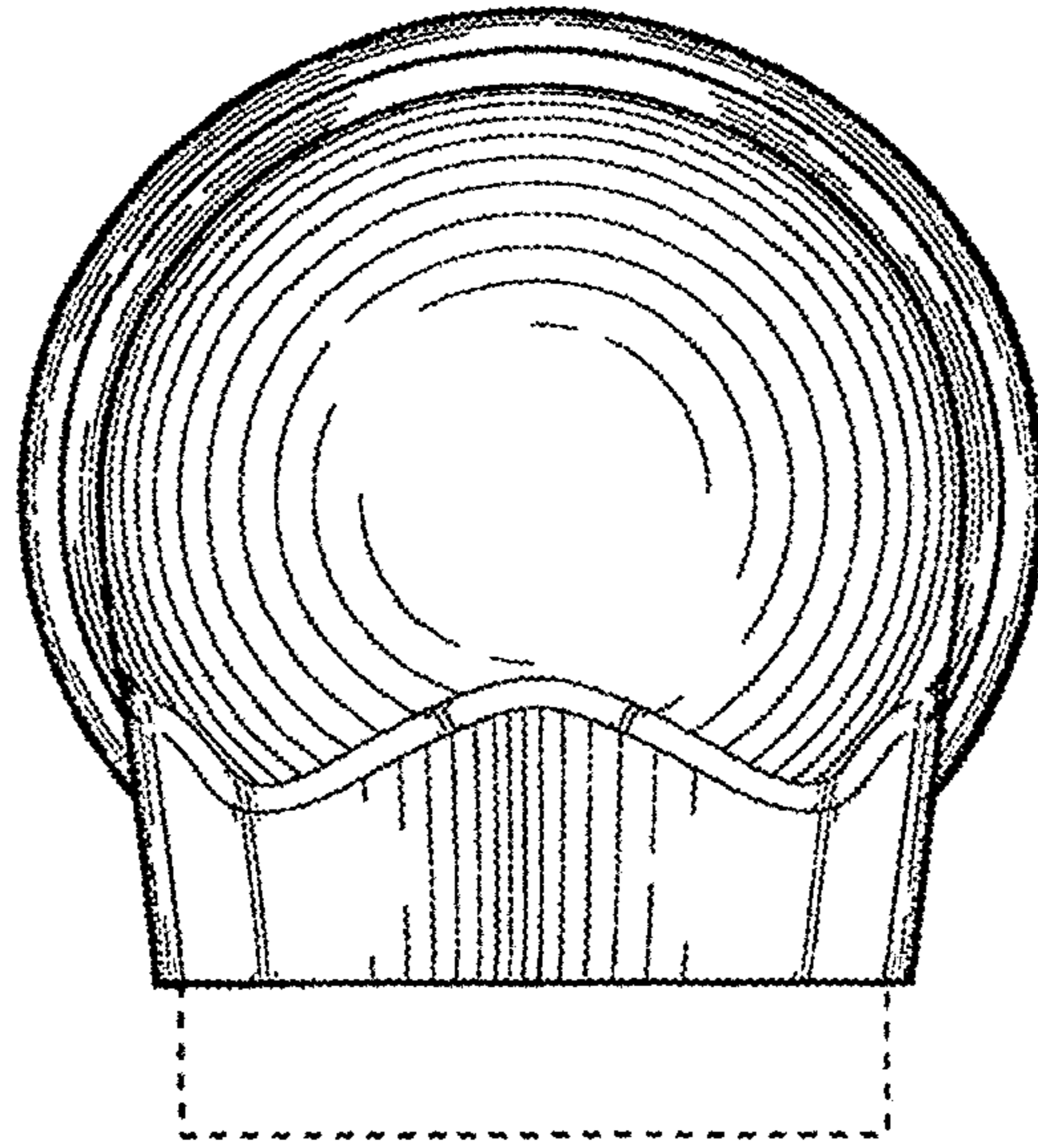


FIG. 3

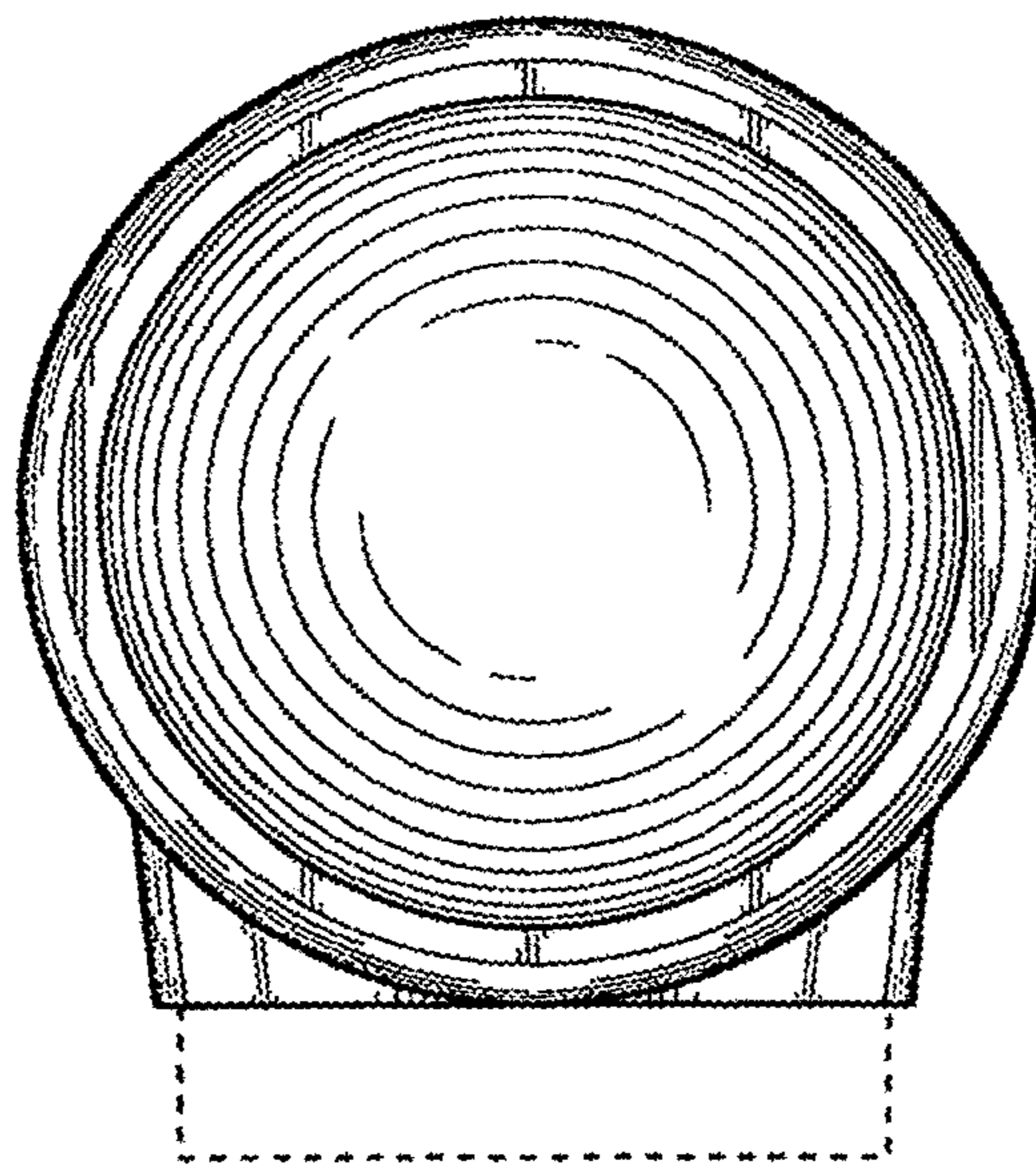


FIG. 4



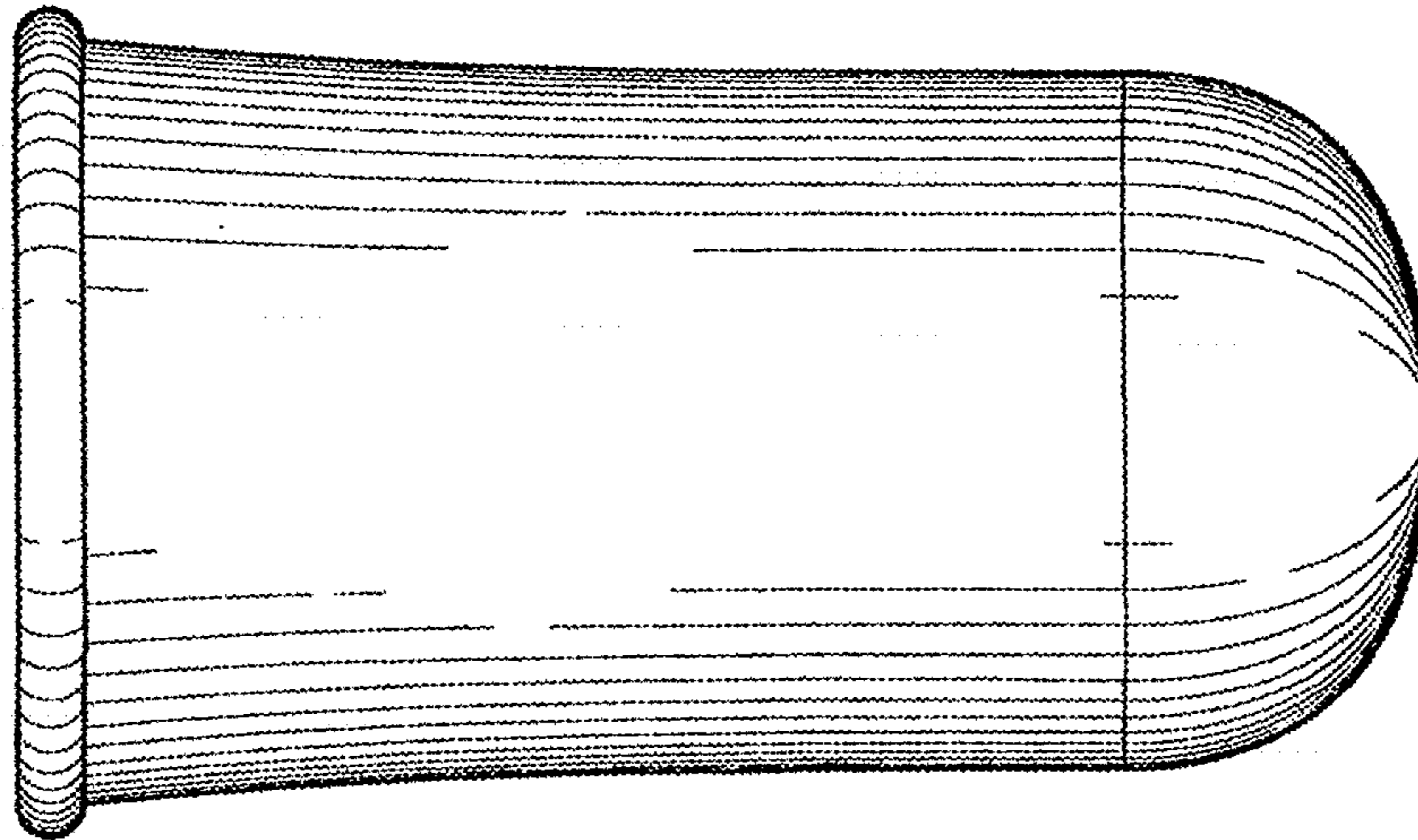


FIG. 5

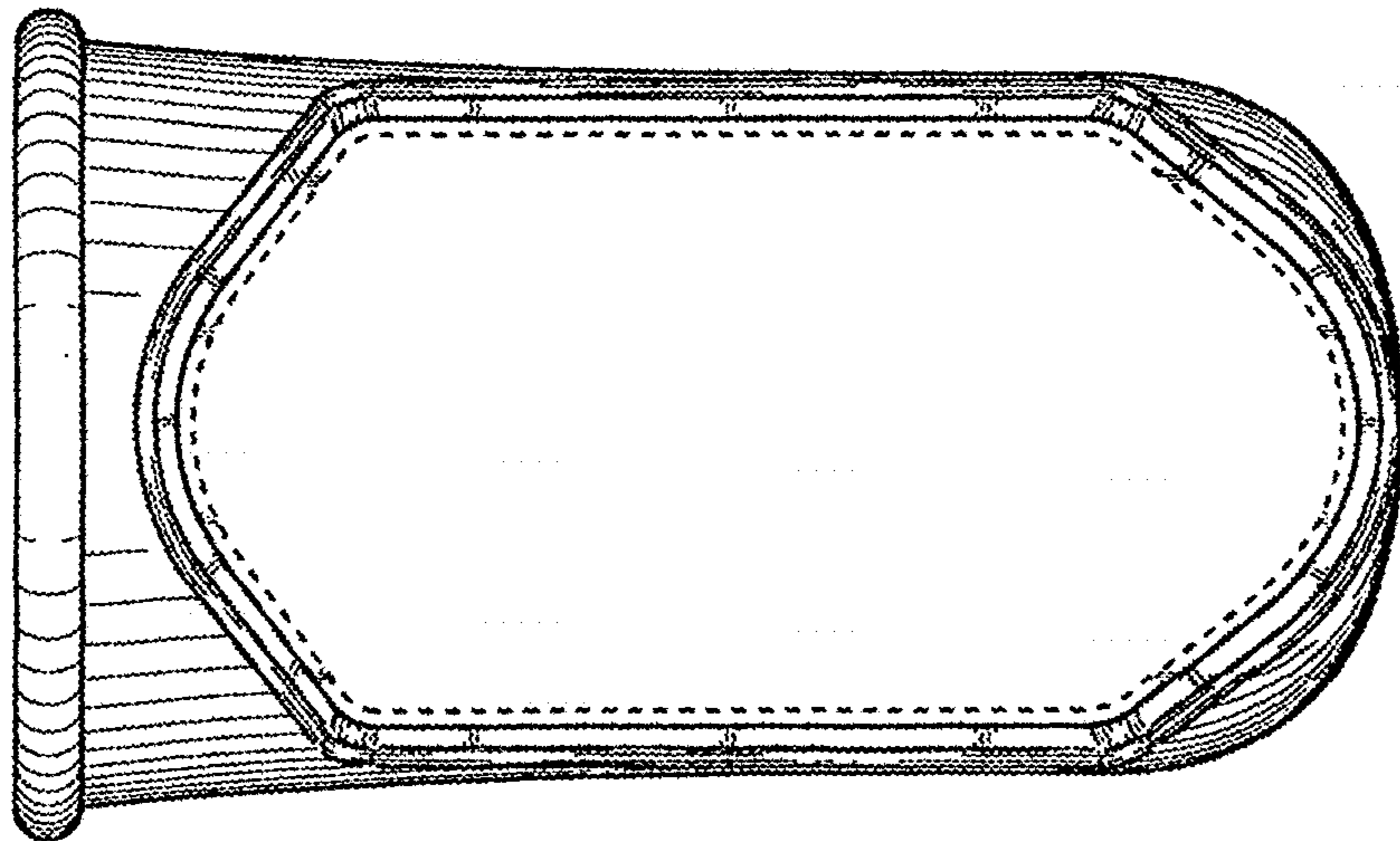


FIG. 6

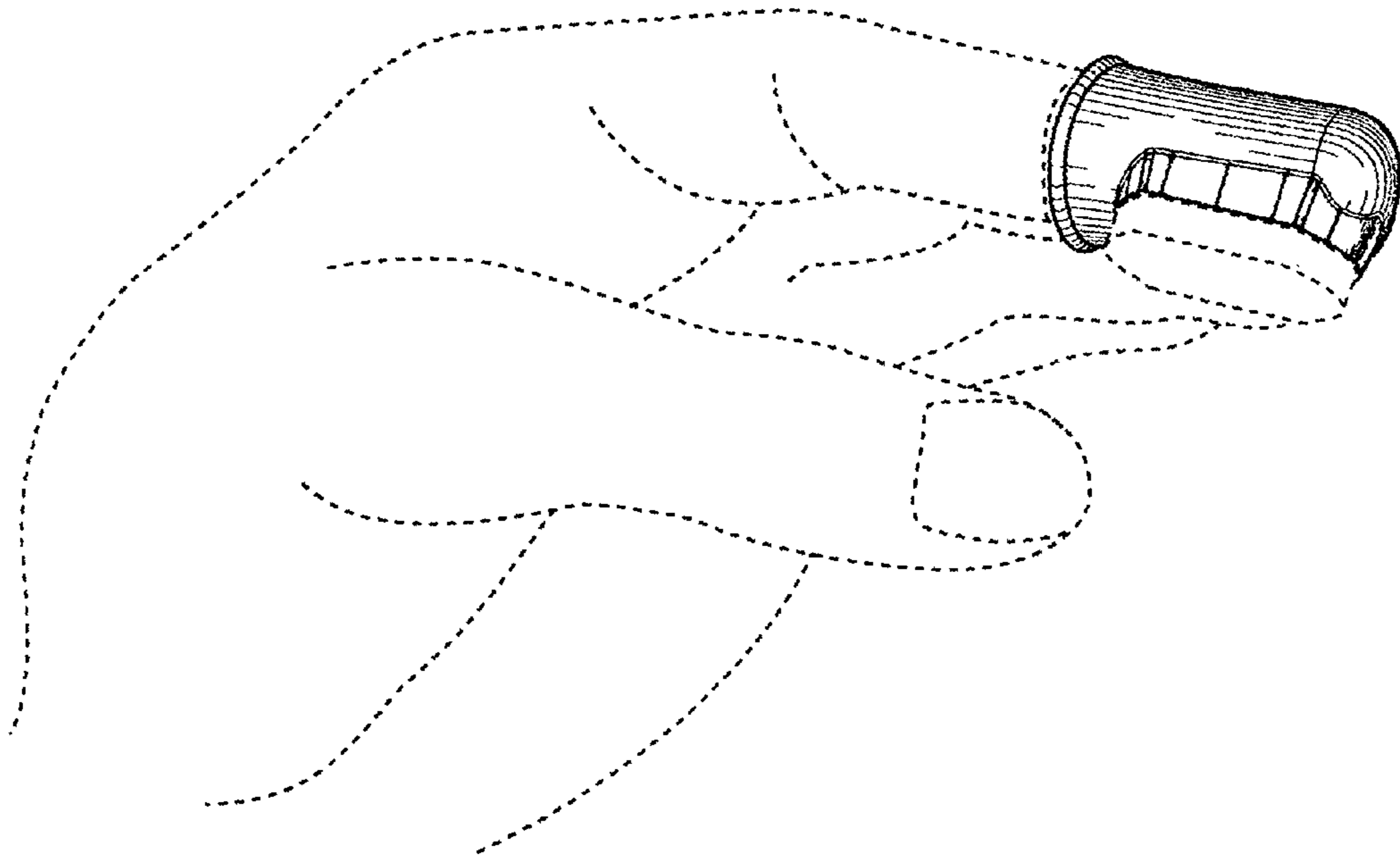


FIG. 7