



US00D748396S

(12) **United States Design Patent**  
**Westerlund**

(10) **Patent No.:** **US D748,396 S**  
(45) **Date of Patent:** **\*\* Feb. 2, 2016**

(54) **BAG HOLDER**

(71) Applicant: **Olle Westerlund**, Höllviken (SE)

(72) Inventor: **Olle Westerlund**, Höllviken (SE)

(\*\*) Term: **14 Years**

(21) Appl. No.: **29/489,465**

(22) Filed: **Apr. 30, 2014**

(30) **Foreign Application Priority Data**

Nov. 22, 2013 (WO) ..... DM/082 268

(51) **LOC (10) CL.** ..... **03-01**

(52) **U.S. CL.**  
USPC ..... **D3/328**

(58) **Field of Classification Search**  
USPC ..... D3/328; D9/434-435, 443  
CPC ..... B65D 33/06; A45F 5/00; B65B 67/04  
See application file for complete search history.

(56) **References Cited**

**U.S. PATENT DOCUMENTS**

- 468,257 A \* 2/1892 Paige ..... B65D 33/06  
206/287
- 940,853 A \* 11/1909 Paige ..... A45C 1/06  
150/132
- 3,026,017 A \* 3/1962 Hopkins ..... B65D 33/06  
383/13
- 3,162,227 A \* 12/1964 Bakken ..... A45C 1/06

- D299,008 S \* 12/1988 Naslund ..... D8/395
- D350,696 S \* 9/1994 Naslund ..... D9/434
- 5,409,153 A \* 4/1995 Ristich ..... A45C 1/04  
150/112
- D423,353 S \* 4/2000 Blanchard ..... D9/435
- 6,098,933 A \* 8/2000 Stein ..... B65B 67/1227  
248/99
- D471,704 S \* 3/2003 Moore ..... D3/247
- D482,968 S \* 12/2003 Henriksson ..... D9/435
- D495,493 S \* 9/2004 Moriarty ..... D3/328
- D613,067 S \* 4/2010 Ecker ..... D3/328

\* cited by examiner

*Primary Examiner* — Holly Baynham

(74) *Attorney, Agent, or Firm* — Jeffrey S. Melcher; Manelli Selter PLLC

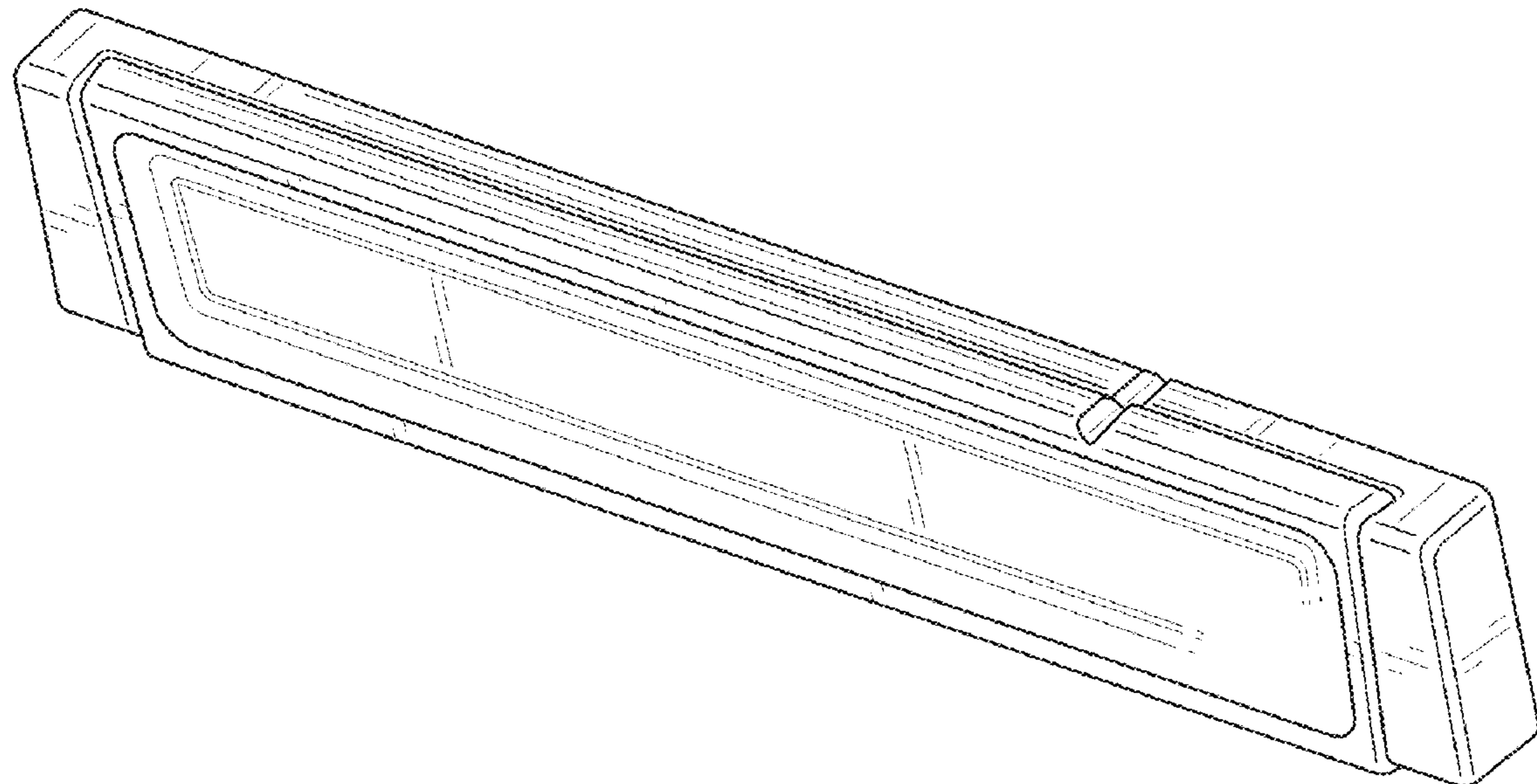
(57) **CLAIM**

I claim the ornamental design for an bag holder, as shown and described.

**DESCRIPTION**

FIG. 1 is a perspective view of the bag holder;  
FIG. 2 is a left side view view of the bag holder;  
FIG. 3 is a right side view of the bag holder;  
FIG. 4 is a bottom view of the bag holder;  
FIG. 5 is a top view of the bag holder;  
FIG. 6 is a front view of the bag holder; and,  
FIG. 7 is a back view of the bag holder.

**1 Claim, 4 Drawing Sheets**



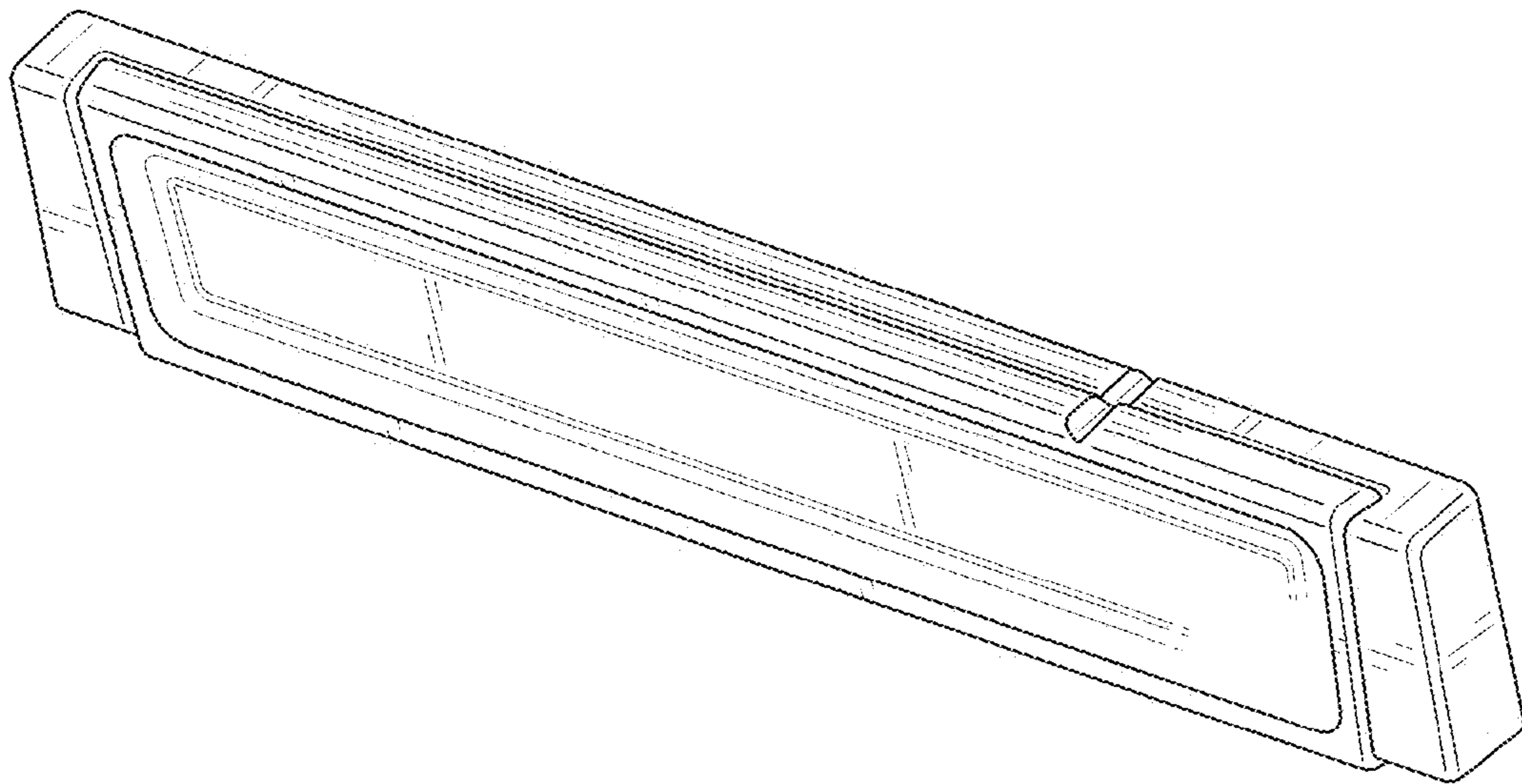


FIG. 1

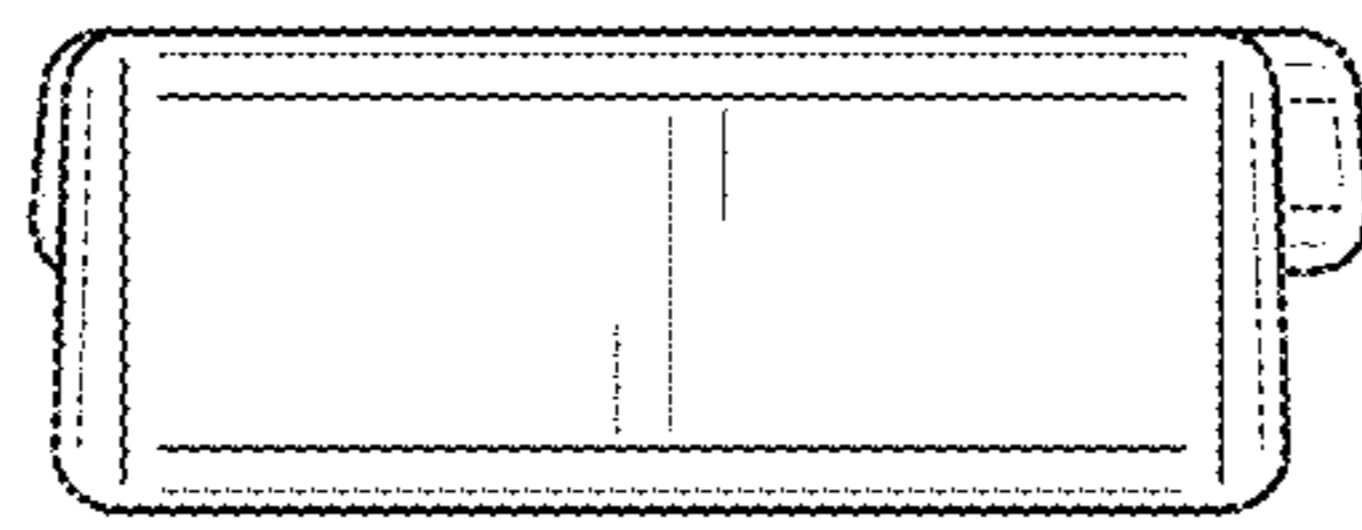


FIG. 2

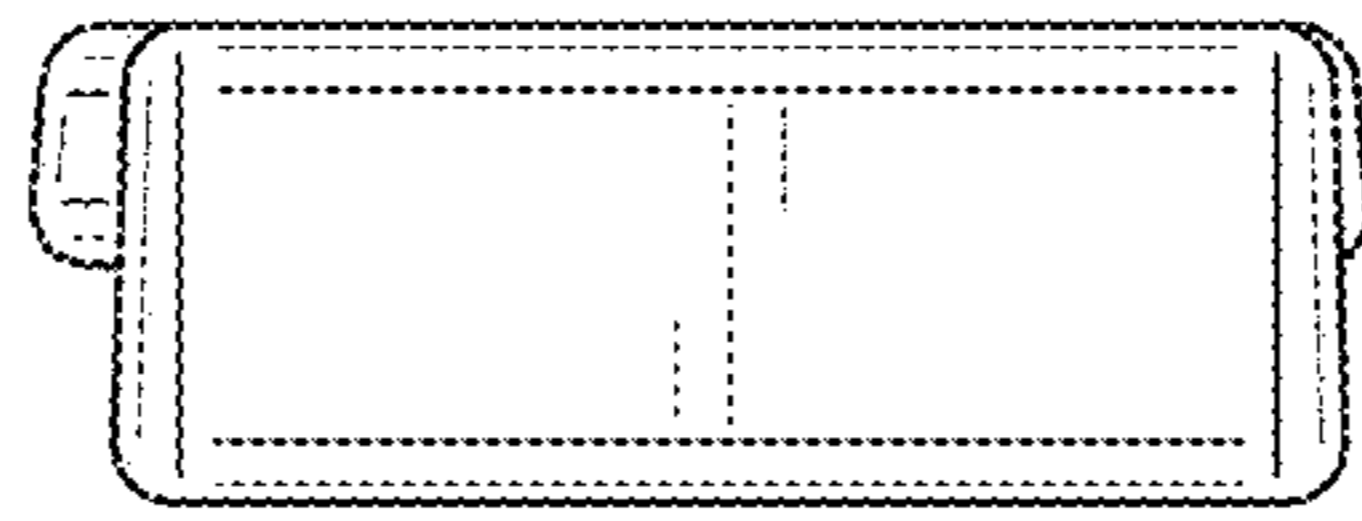


FIG. 3

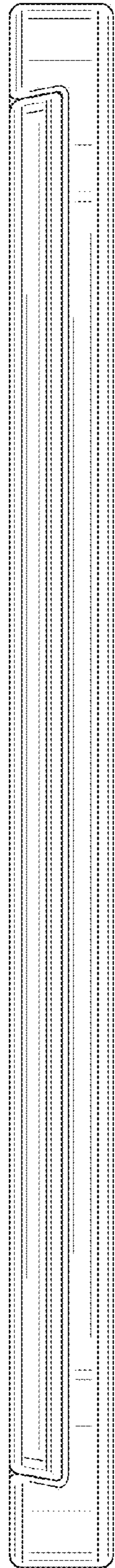


FIG. 4

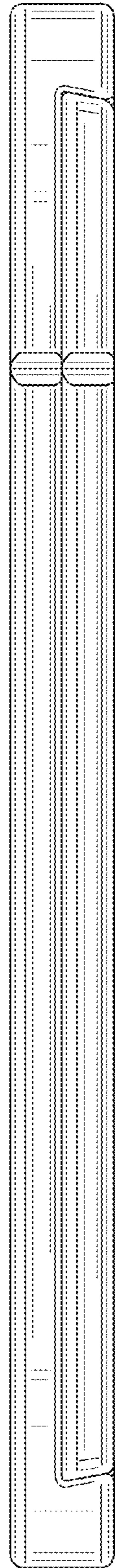


FIG. 5

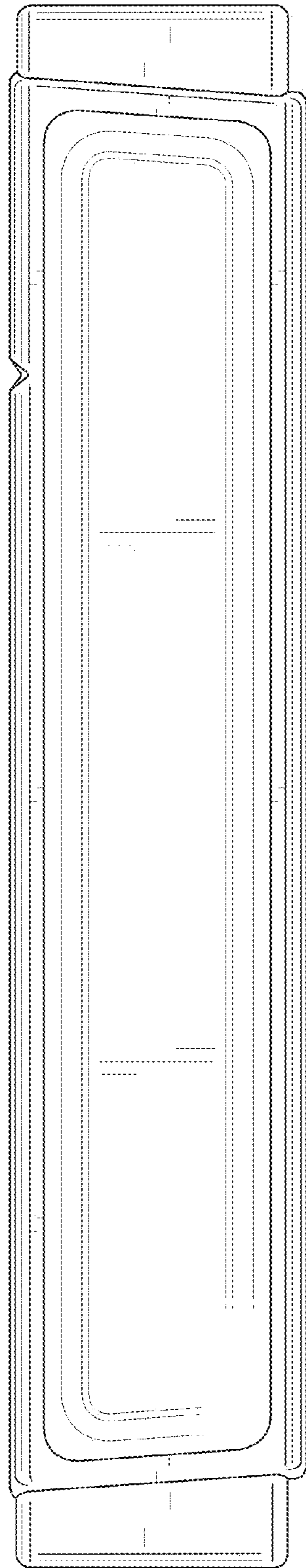


FIG. 6

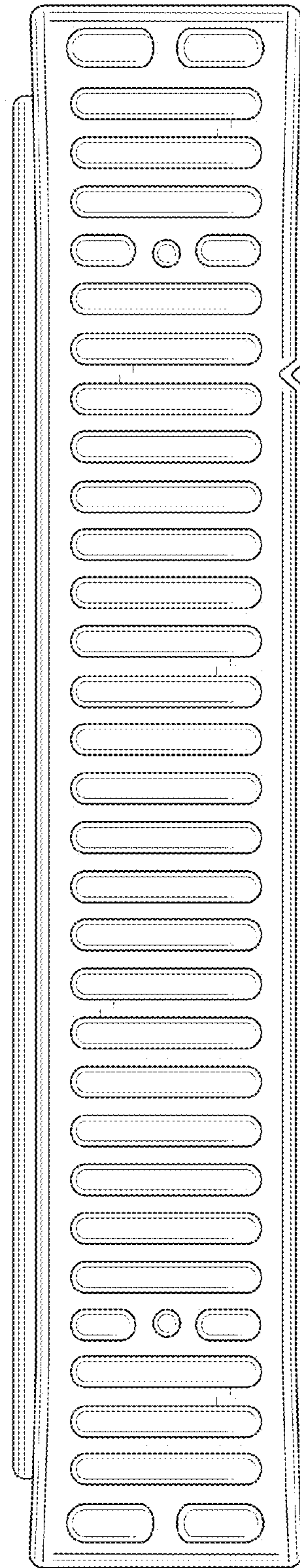


FIG. 7