



US00D748395S

(12) **United States Design Patent**
Hsieh

(10) **Patent No.:** **US D748,395 S**

(45) **Date of Patent:** **** Feb. 2, 2016**

(54) **TOOL HOLDER**

(71) Applicant: **Chih-Chien Hsieh**, Taichung (TW)

(72) Inventor: **Chih-Chien Hsieh**, Taichung (TW)

(**) Term: **14 Years**

(21) Appl. No.: **29/513,695**

(22) Filed: **Jan. 5, 2015**

(51) **LOC (10) Cl.** **03-01**

(52) **U.S. Cl.**
USPC **D3/313**

(58) **Field of Classification Search**
USPC D3/226, 228, 245, 246, 283–284,
D3/303–304, 308, 313, 315, 319, 328;
D6/515, 567, 574, 675, 682, 682.1
CPC B25H 3/003; B25H 3/006; B25H 3/06
See application file for complete search history.

(56) **References Cited**

U.S. PATENT DOCUMENTS

D340,827 S *	11/1993	Hubbard	D6/567
D342,880 S *	1/1994	Clancy	D3/313
D355,554 S *	2/1995	Phelps	D6/567
D426,061 S *	6/2000	Naegele	D3/304
D623,035 S *	9/2010	Rivera	D8/70
D714,062 S *	9/2014	Chen	D3/313

D725,993 S *	4/2015	Ernst	D8/339
D727,708 S *	4/2015	Kokke	D3/315
D730,053 S *	5/2015	Ou	D3/315
D730,055 S *	5/2015	Ou	D3/315
D736,522 S *	8/2015	Hsieh	D3/313

* cited by examiner

Primary Examiner — Kelley Donnelly

(74) *Attorney, Agent, or Firm* — Egbert Law Offices, PLLC

(57) **CLAIM**

The ornamental design for a tool holder, as shown and described.

DESCRIPTION

FIG. 1 is an upper perspective view of a tool holder showing my new design.

FIG. 2 is a side elevation view thereof;

FIG. 3 is an opposite side elevation view thereof;

FIG. 4 is rear elevation view thereof;

FIG. 5 is a front elevation view thereof;

FIG. 6 is a top plan view thereof;

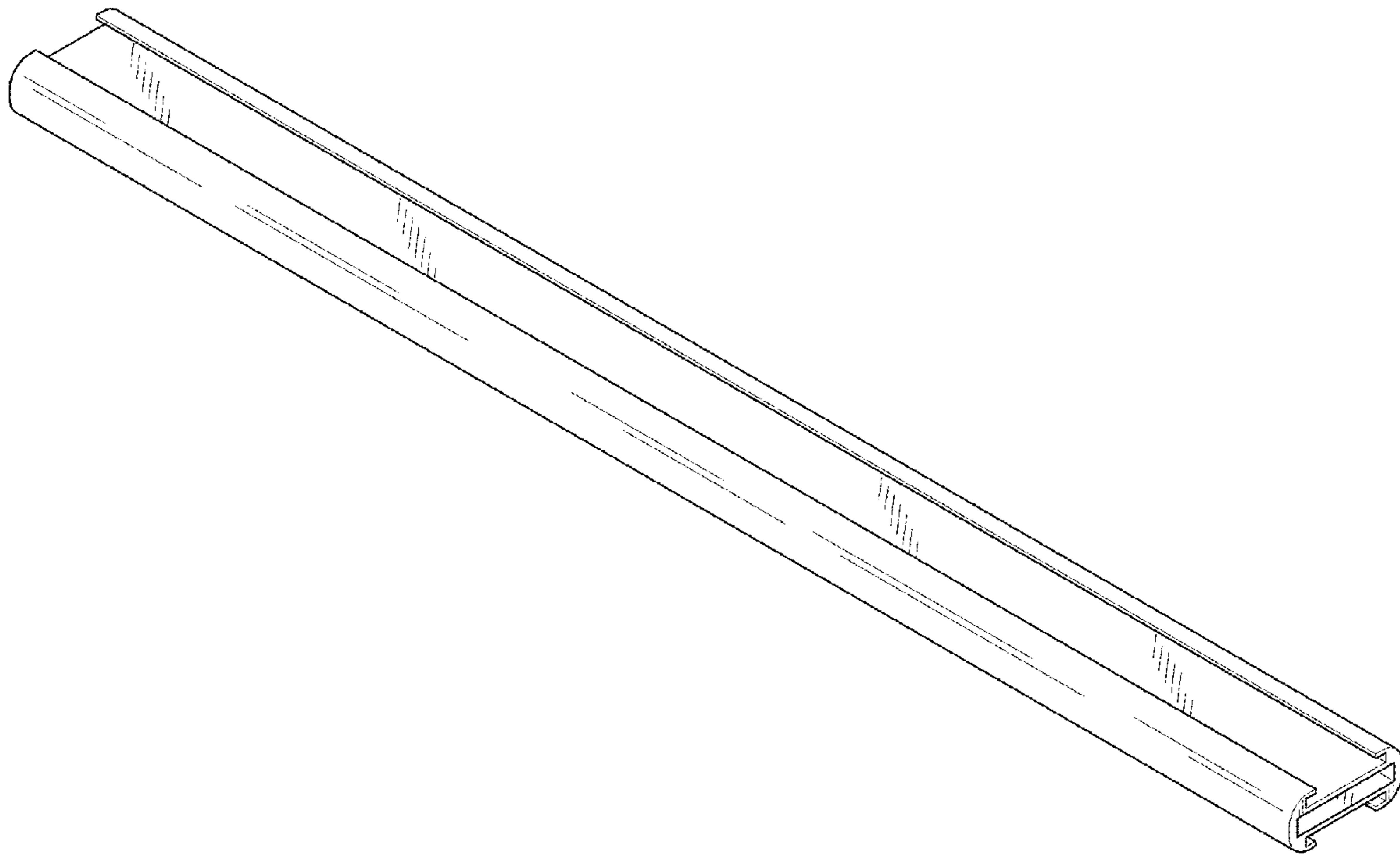
FIG. 7 is a bottom plan view thereof;

FIG. 8 is a partial sectional view thereof; and,

FIG. 9 an upper perspective view thereof, wherein the tool holder is in a condition of use.

The broken lines in the drawings represent environmental matter and form no part of the claimed design.

1 Claim, 8 Drawing Sheets



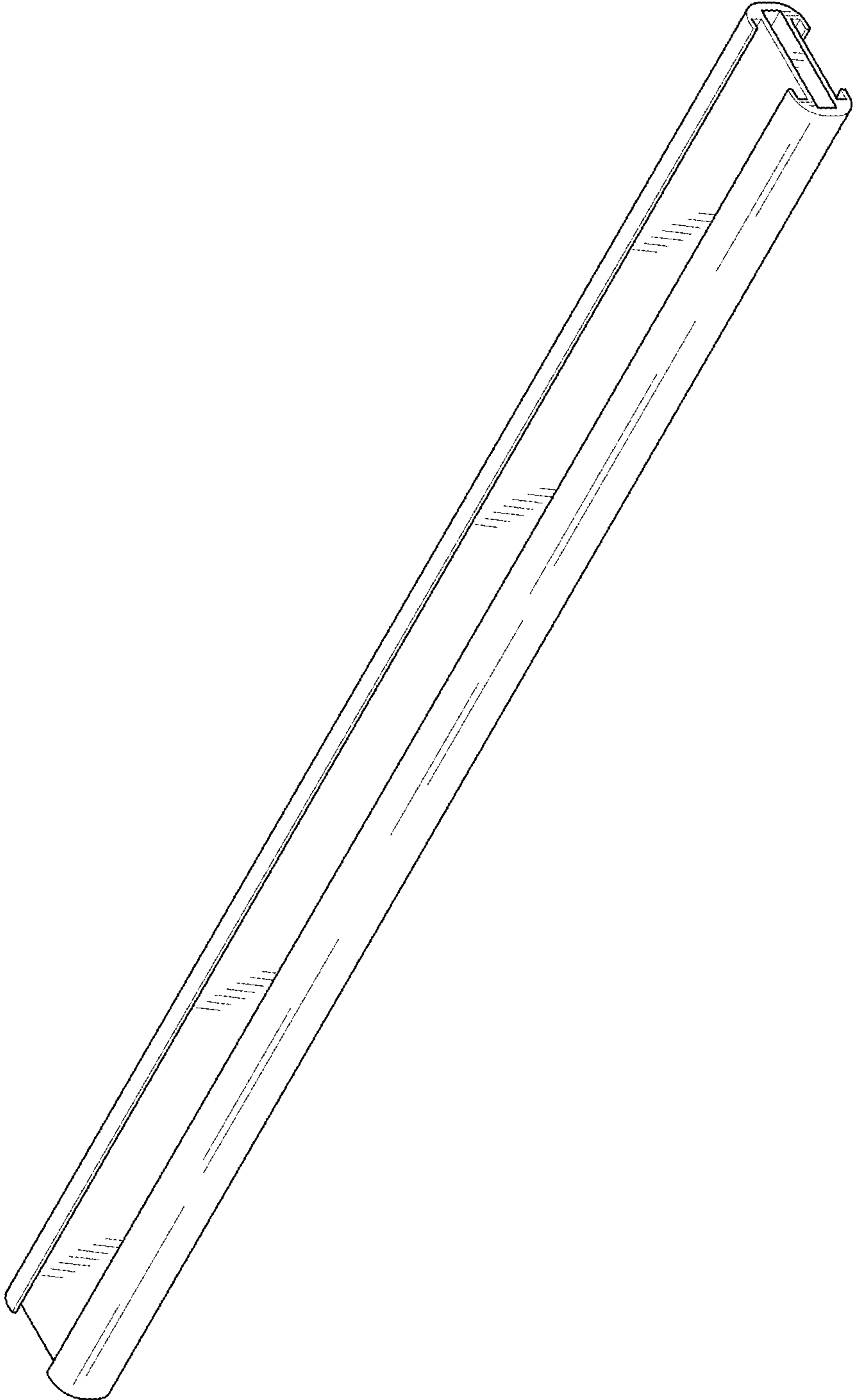


FIG.1



FIG.2



FIG.3

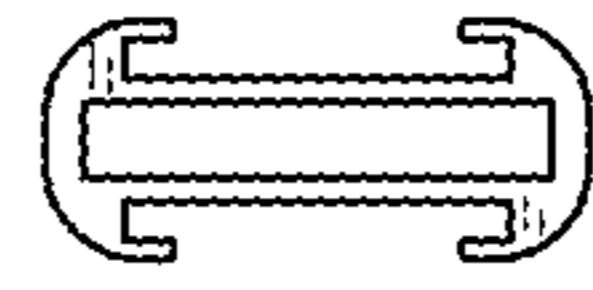


FIG. 4

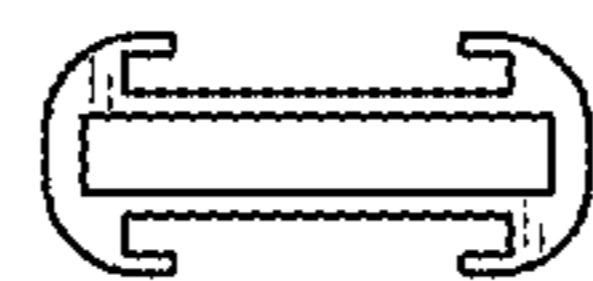


FIG. 5

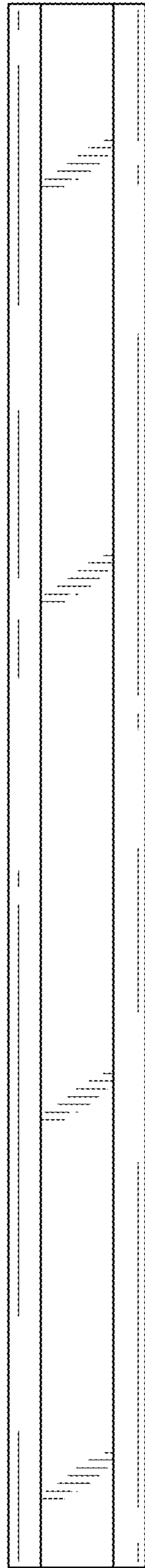


FIG.6

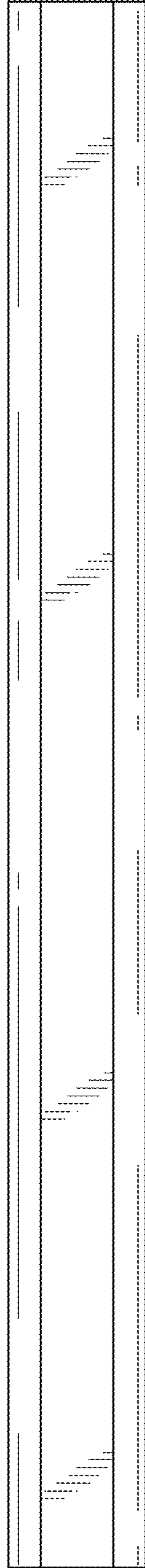


FIG. 7

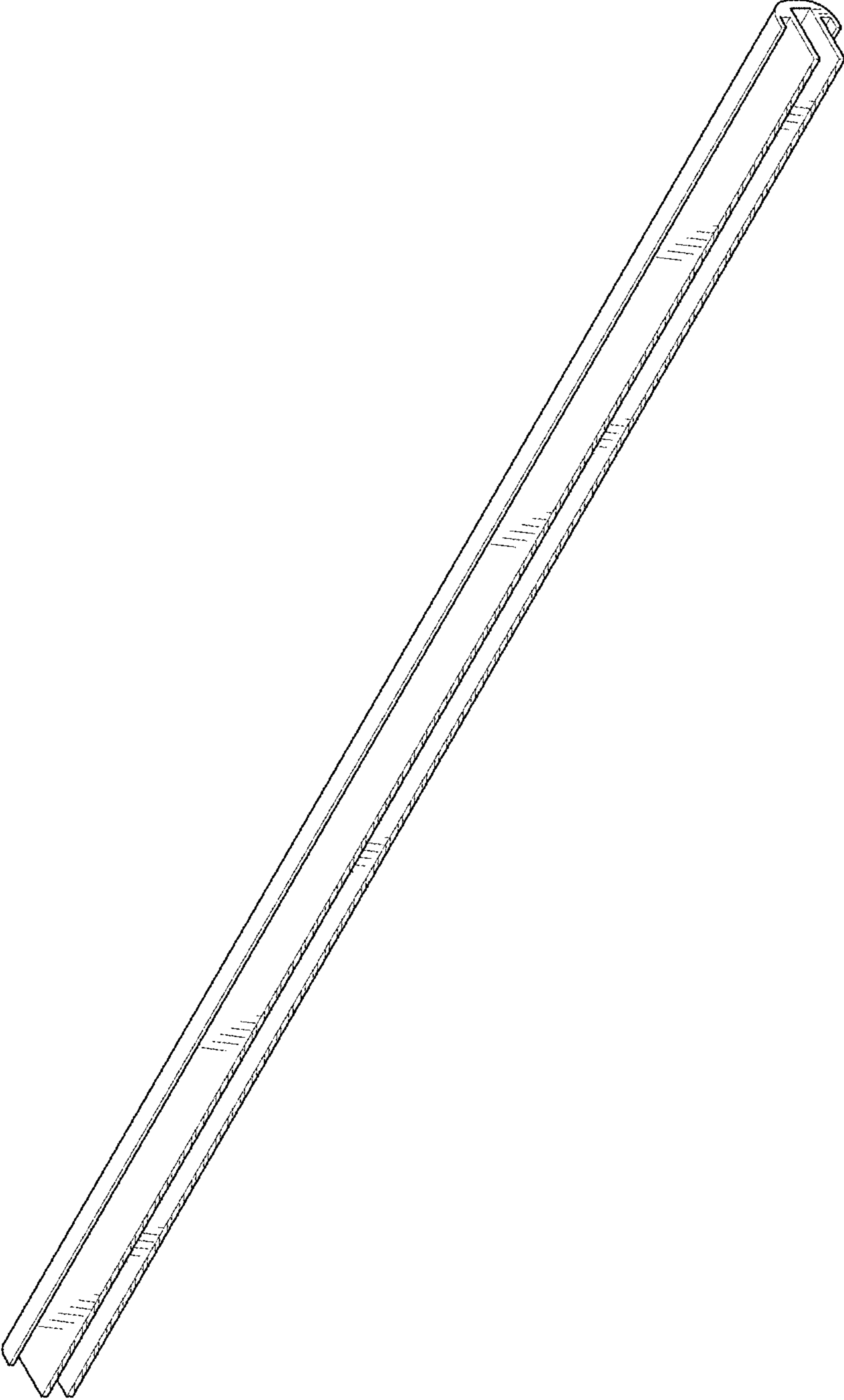


FIG.8

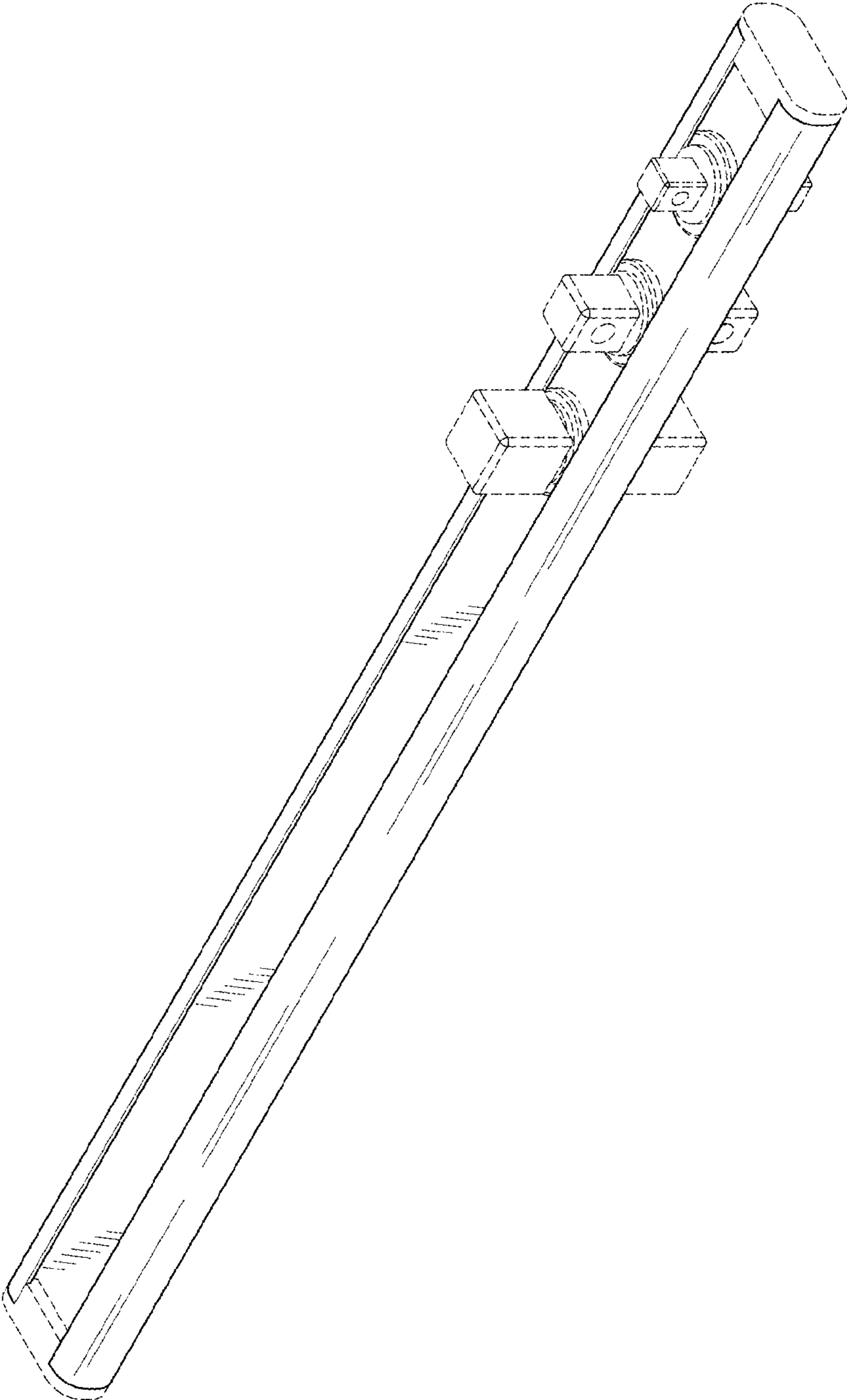


FIG. 9