



US00D748393S

(12) **United States Design Patent**  
**Moore**

(10) **Patent No.:** **US D748,393 S**  
(45) **Date of Patent:** **\*\* Feb. 2, 2016**

(54) **ACCESSORY BAG**

(71) Applicant: **Kevin S Moore**, El Cajon, CA (US)

(72) Inventor: **Kevin S Moore**, El Cajon, CA (US)

(\*\*) Term: **14 Years**

(21) Appl. No.: **29/486,244**

(22) Filed: **Mar. 27, 2014**

(51) **LOC (10) Cl.** ..... **03-01**

(52) **U.S. Cl.**  
USPC ..... **D3/232**

(58) **Field of Classification Search**  
USPC ..... D3/232-233, 240-243, 245-246  
CPC ..... A45C 1/024; A45C 3/06  
See application file for complete search history.

(56) **References Cited**

U.S. PATENT DOCUMENTS

7,604,211 B2	10/2009	Moore	
D606,756 S *	12/2009	Johnson	D3/318
D665,176 S *	8/2012	Platt	D3/318
D676,241 S *	2/2013	Merrill	D3/318

\* cited by examiner

*Primary Examiner* — Holly Baynham

(74) *Attorney, Agent, or Firm* — Sarah J. Rhoades

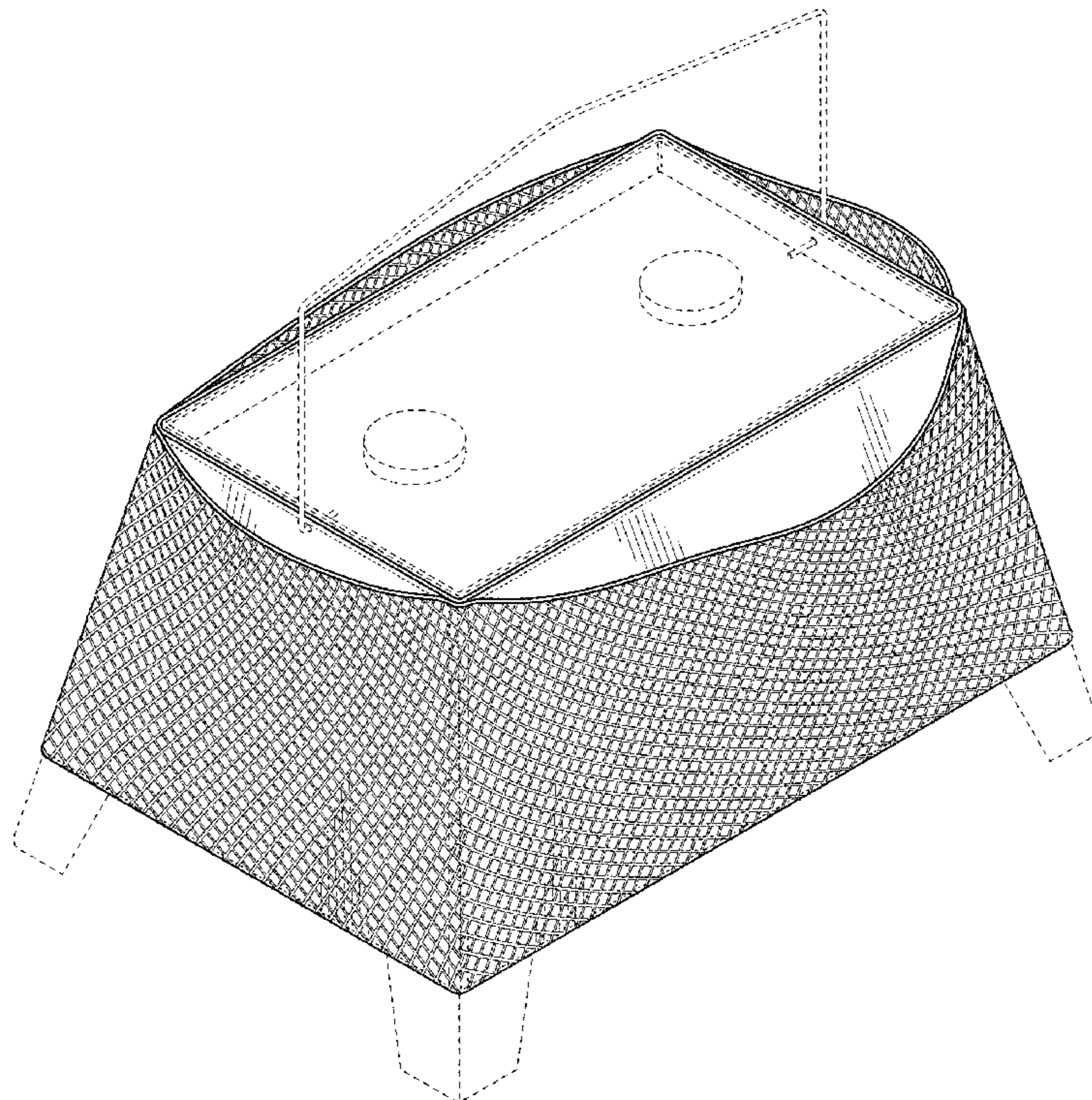
(57) **CLAIM**

The ornamental design for an accessory bag, as shown and described.

**DESCRIPTION**

FIG. 1 is a perspective view of a new, ornamental design for a first embodiment of an accessory bag;  
 FIG. 2 is a first side view of an accessory bag according to a first embodiment;  
 FIG. 3 is a second side view of an accessory bag according to a first embodiment;  
 FIG. 4 is a first end view of an accessory bag according to a first embodiment;  
 FIG. 5 is a second end view according to a first embodiment;  
 FIG. 6 is a top view according to a first embodiment;  
 FIG. 7 is a bottom view according to a first embodiment;  
 FIG. 8 is a perspective view of a new, ornamental design for an accessory bag according to a second embodiment;  
 FIG. 9 is a first side view of an accessory bag according to a second embodiment;  
 FIG. 10 is a second side view of an accessory bag according to a second embodiment;  
 FIG. 11 is a first end view of an accessory bag according to a second embodiment;  
 FIG. 12 is a second end view according to a second embodiment;  
 FIG. 13 is a top view according to a second embodiment; and,  
 FIG. 14 is a bottom view according to a second embodiment.  
 The broken line showing of a plumbing caddie is included for the purpose of showing environmental context for the accessory bag and forms no part of the claimed design.

**1 Claim, 8 Drawing Sheets**



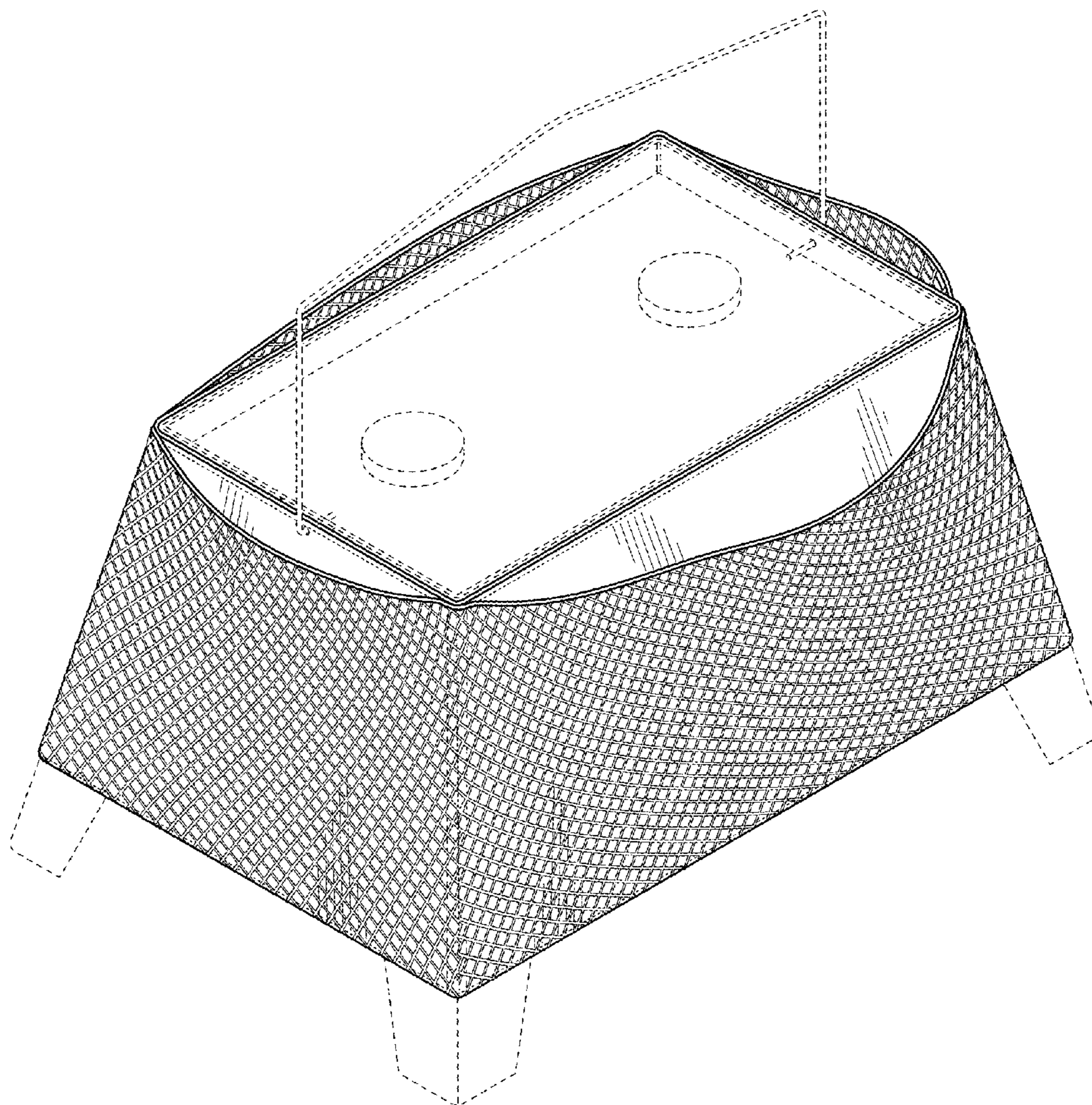


FIG. 1

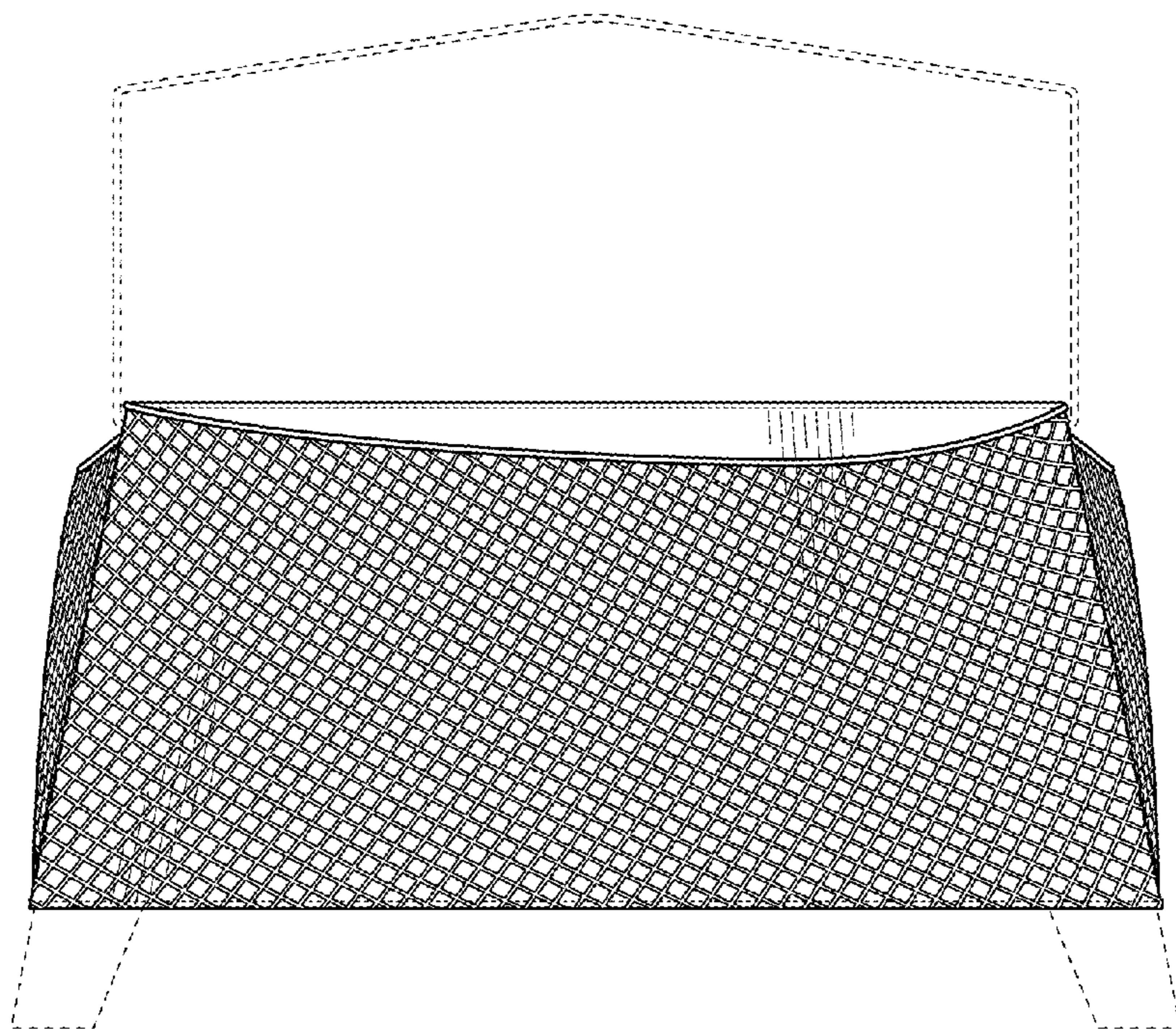


FIG. 2

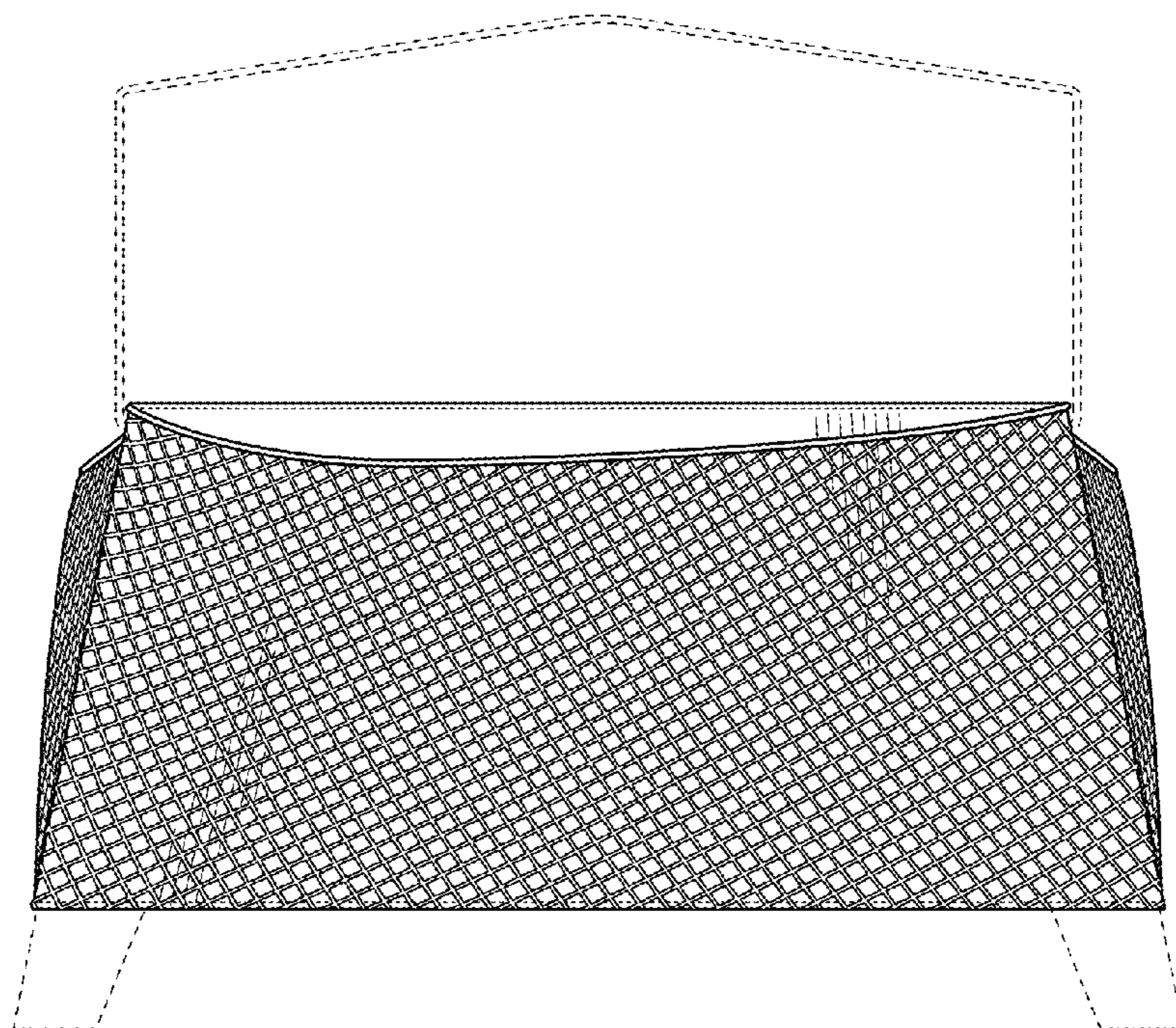


FIG. 3

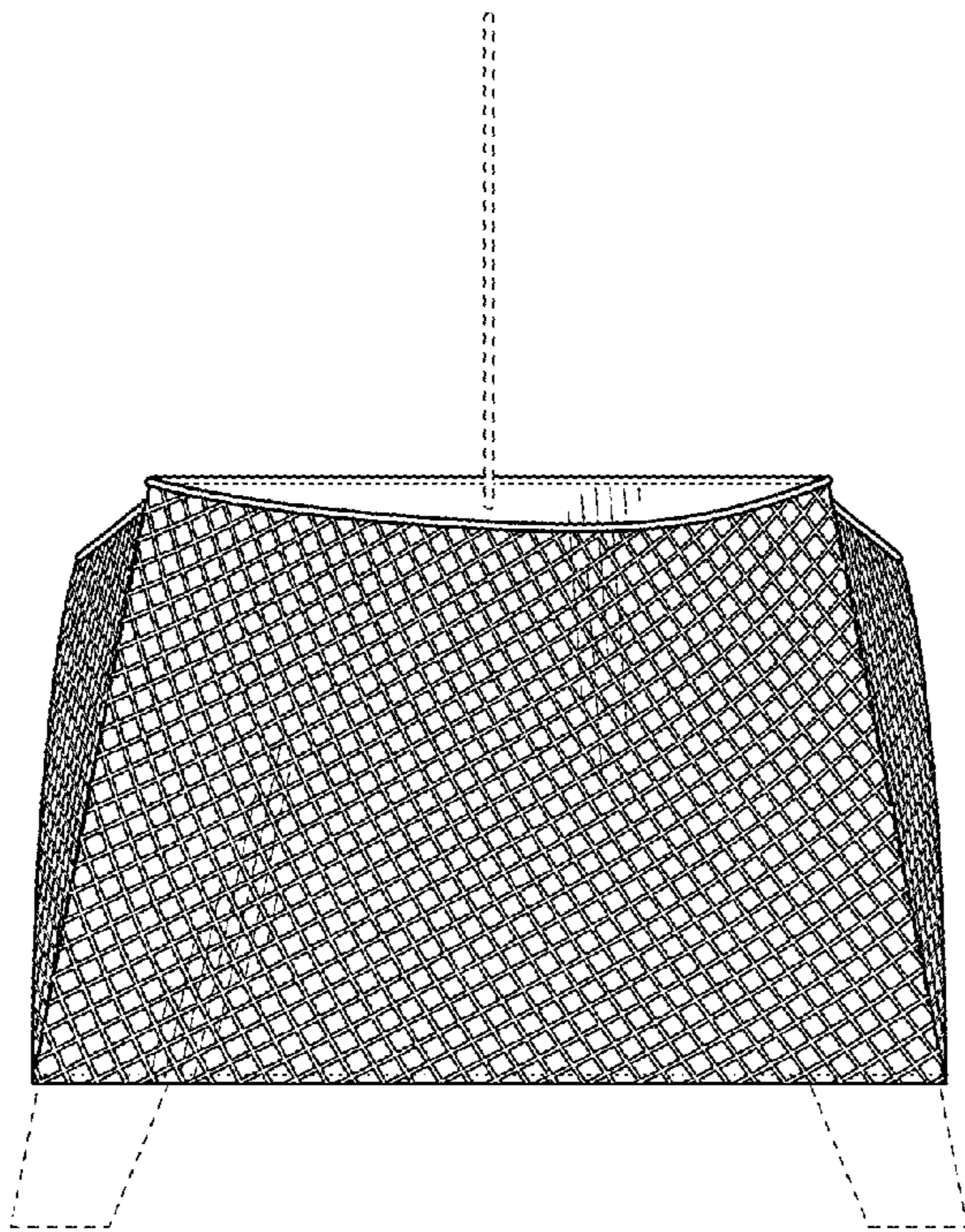


FIG. 4

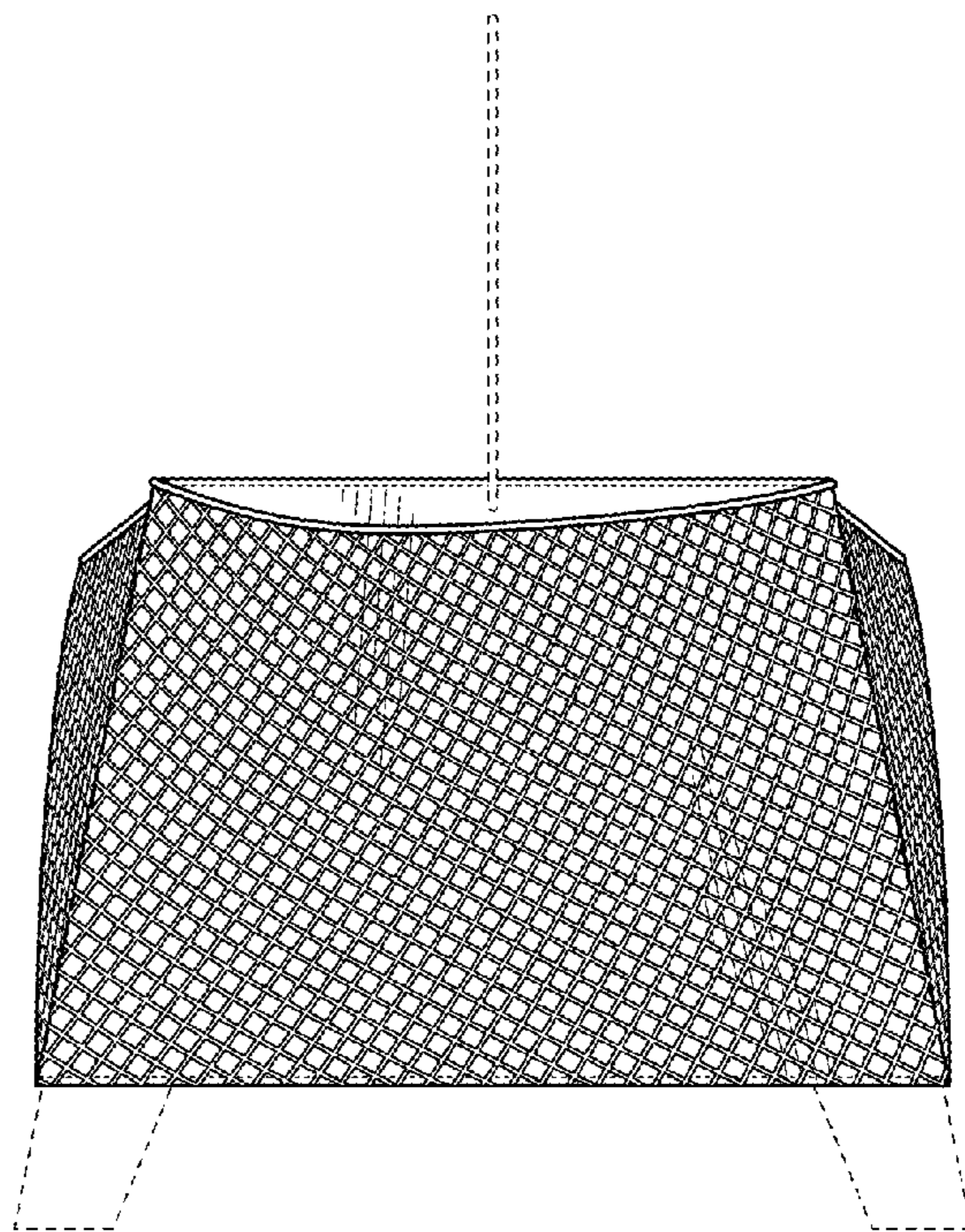


FIG. 5

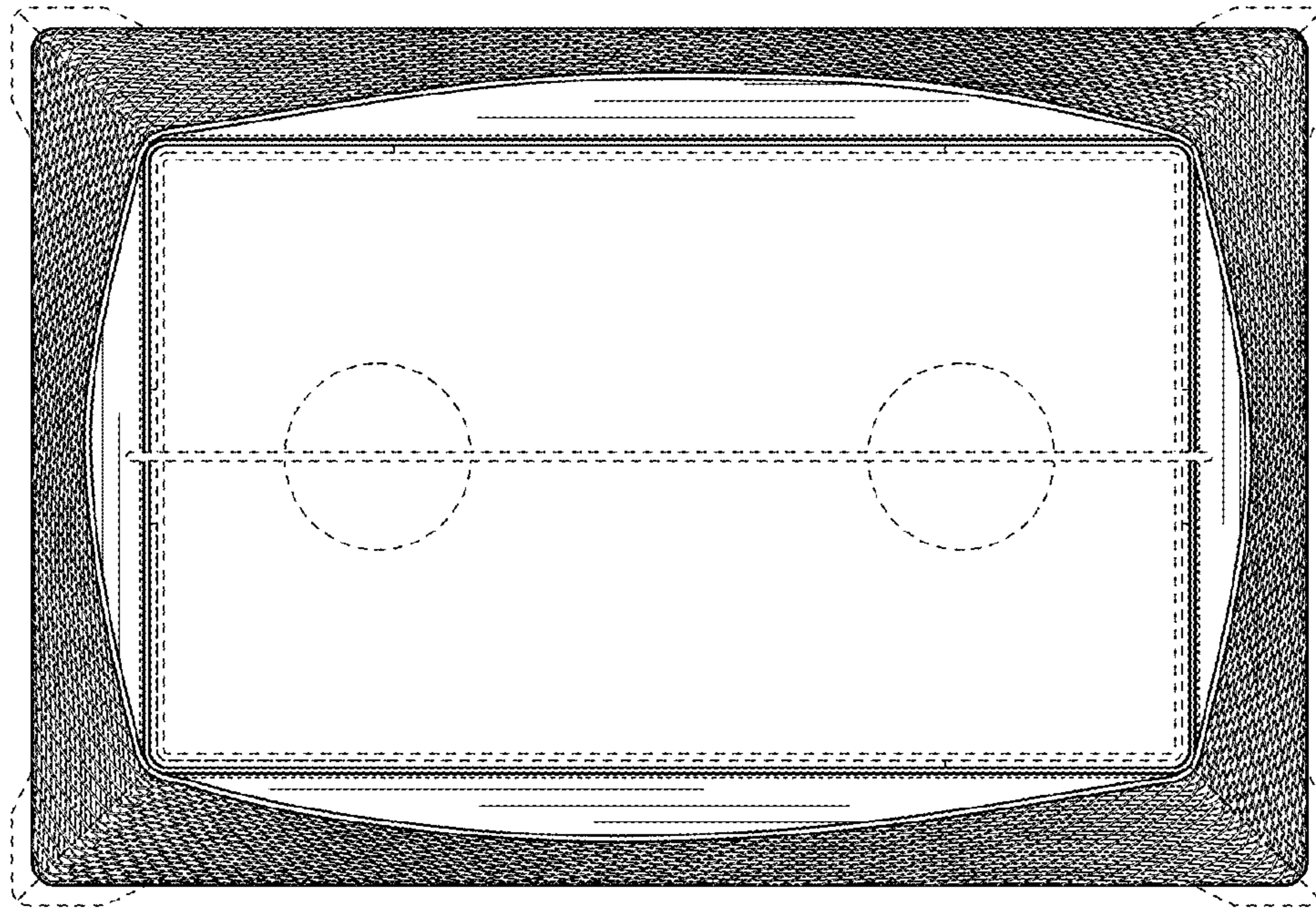


FIG. 6

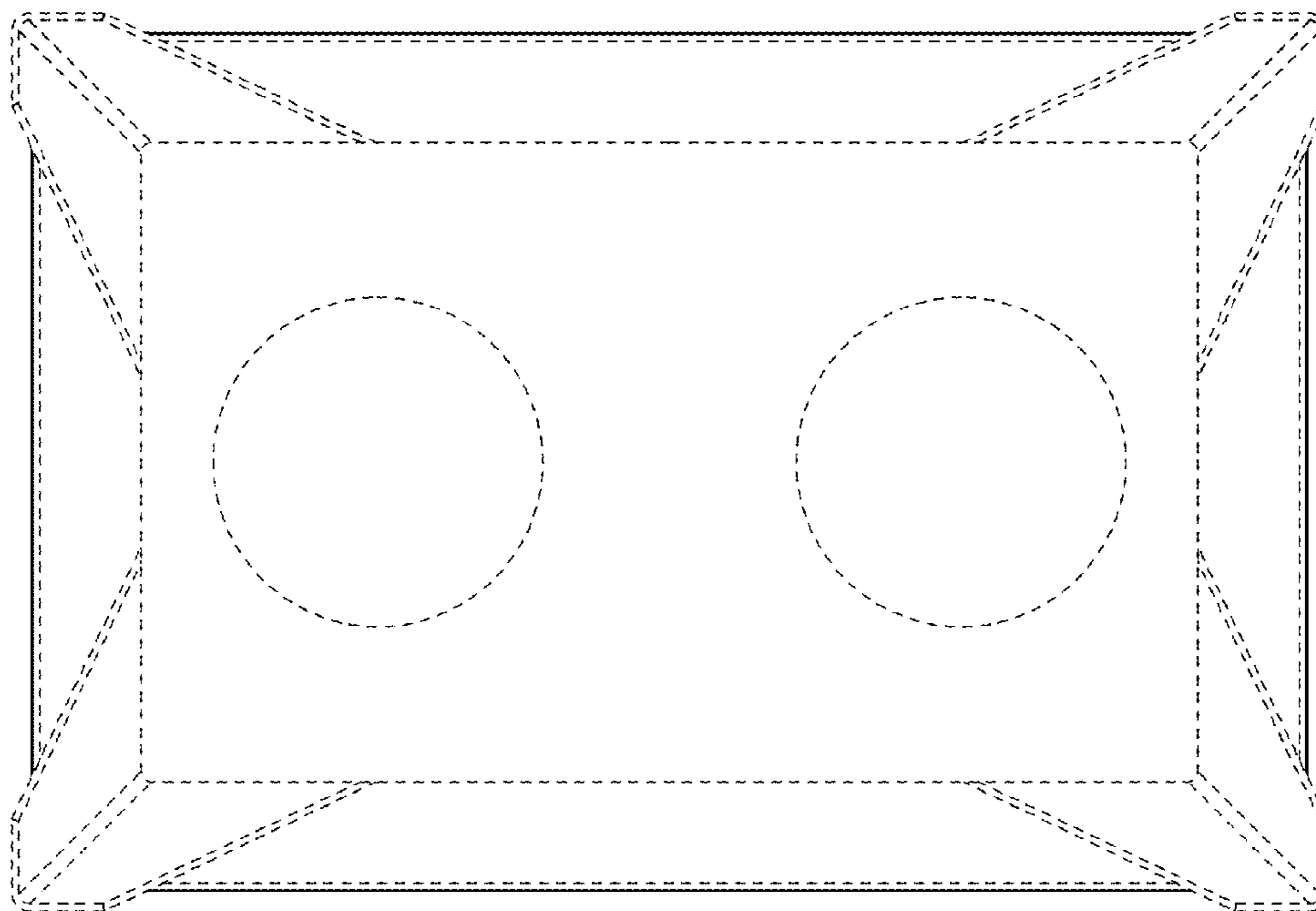


FIG. 7

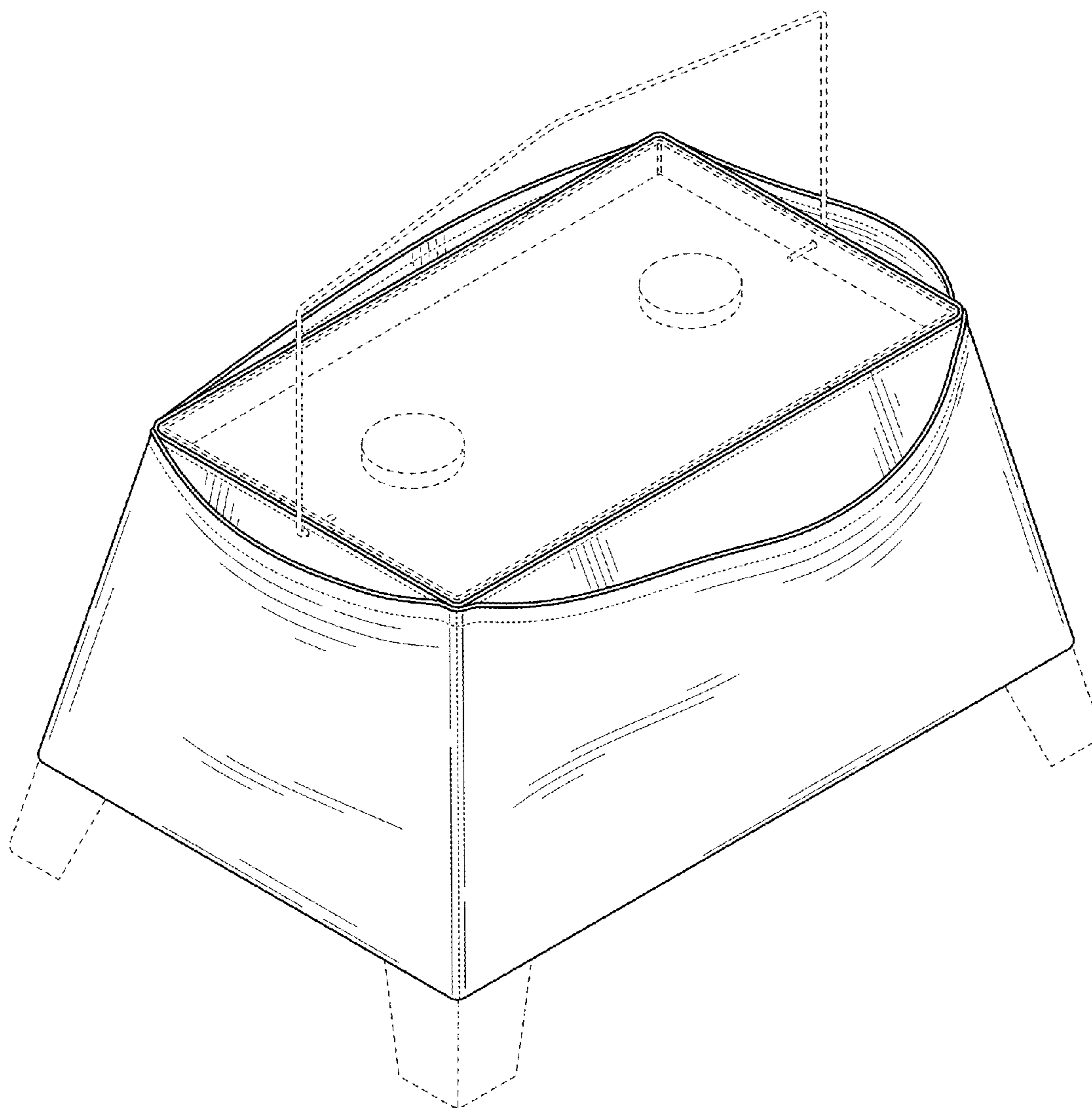


FIG. 8

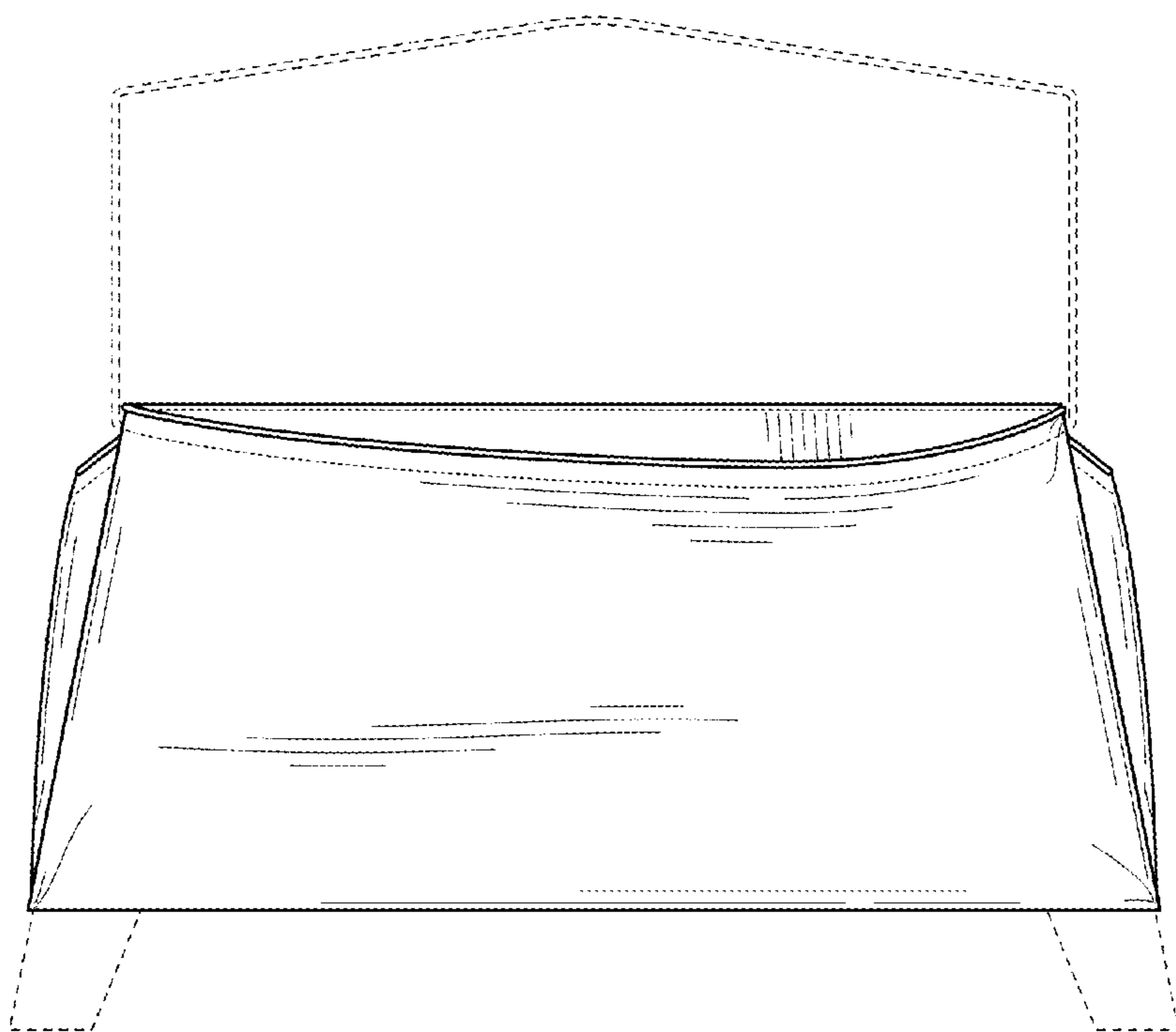


FIG. 9

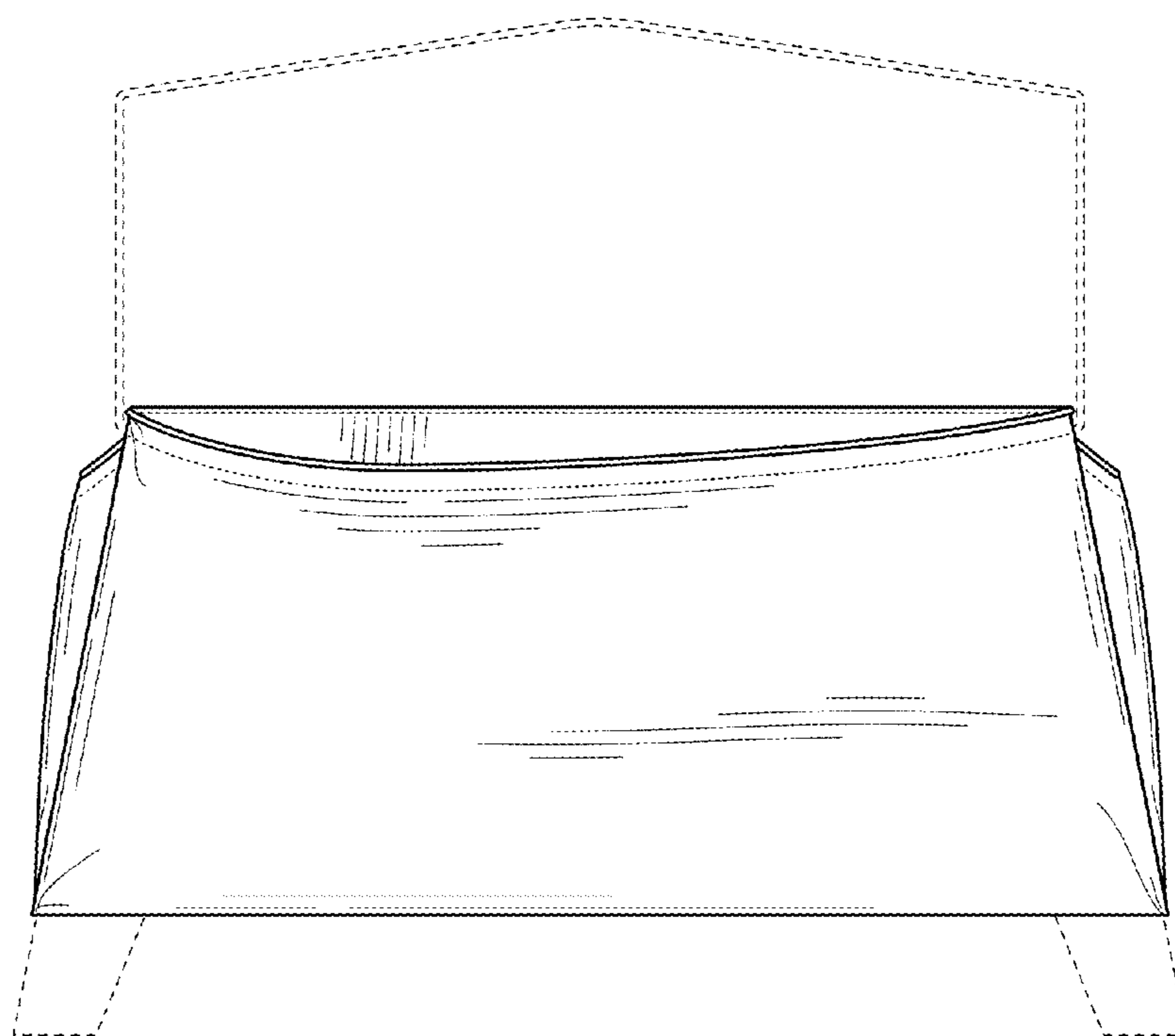


FIG. 10

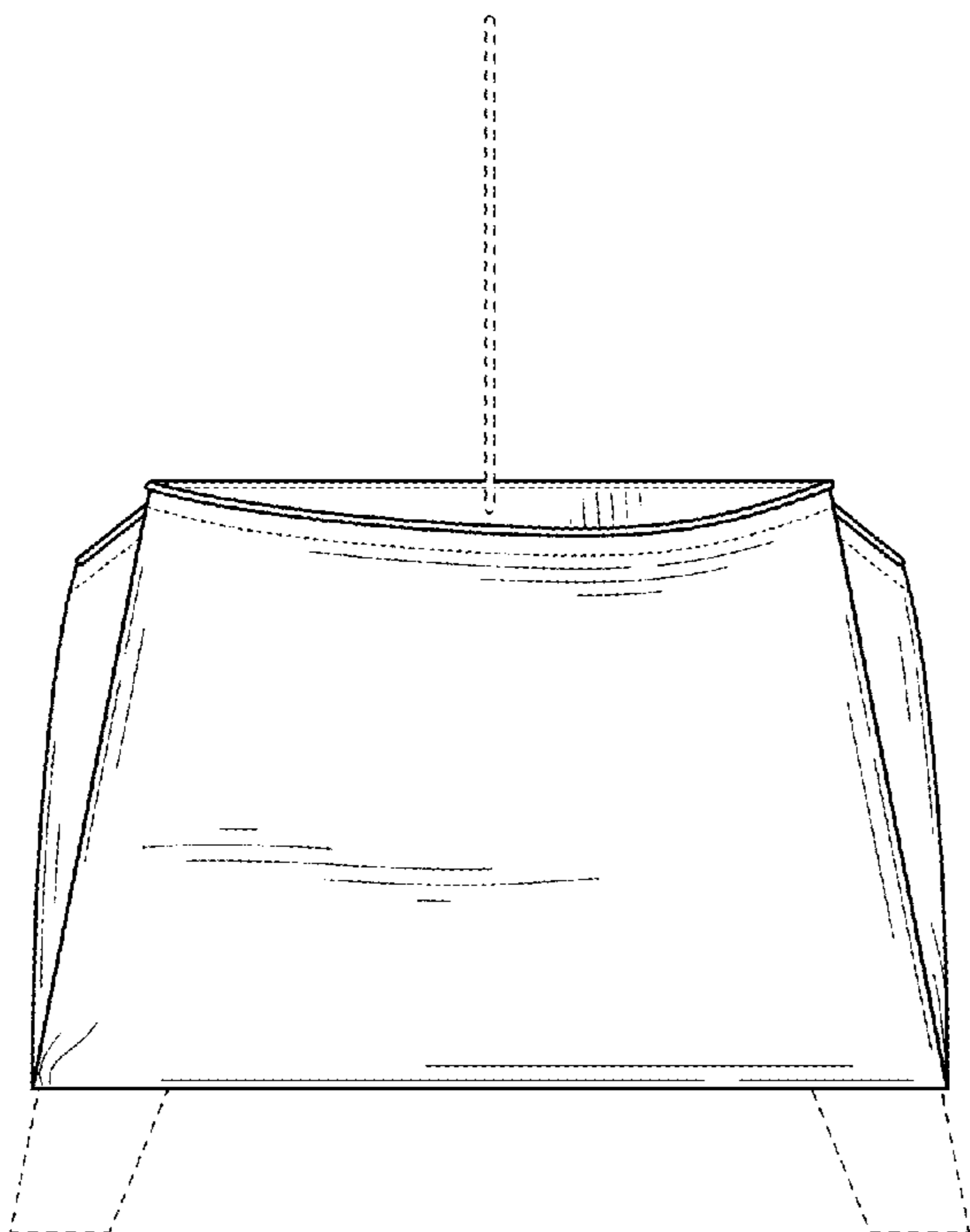


FIG. 11

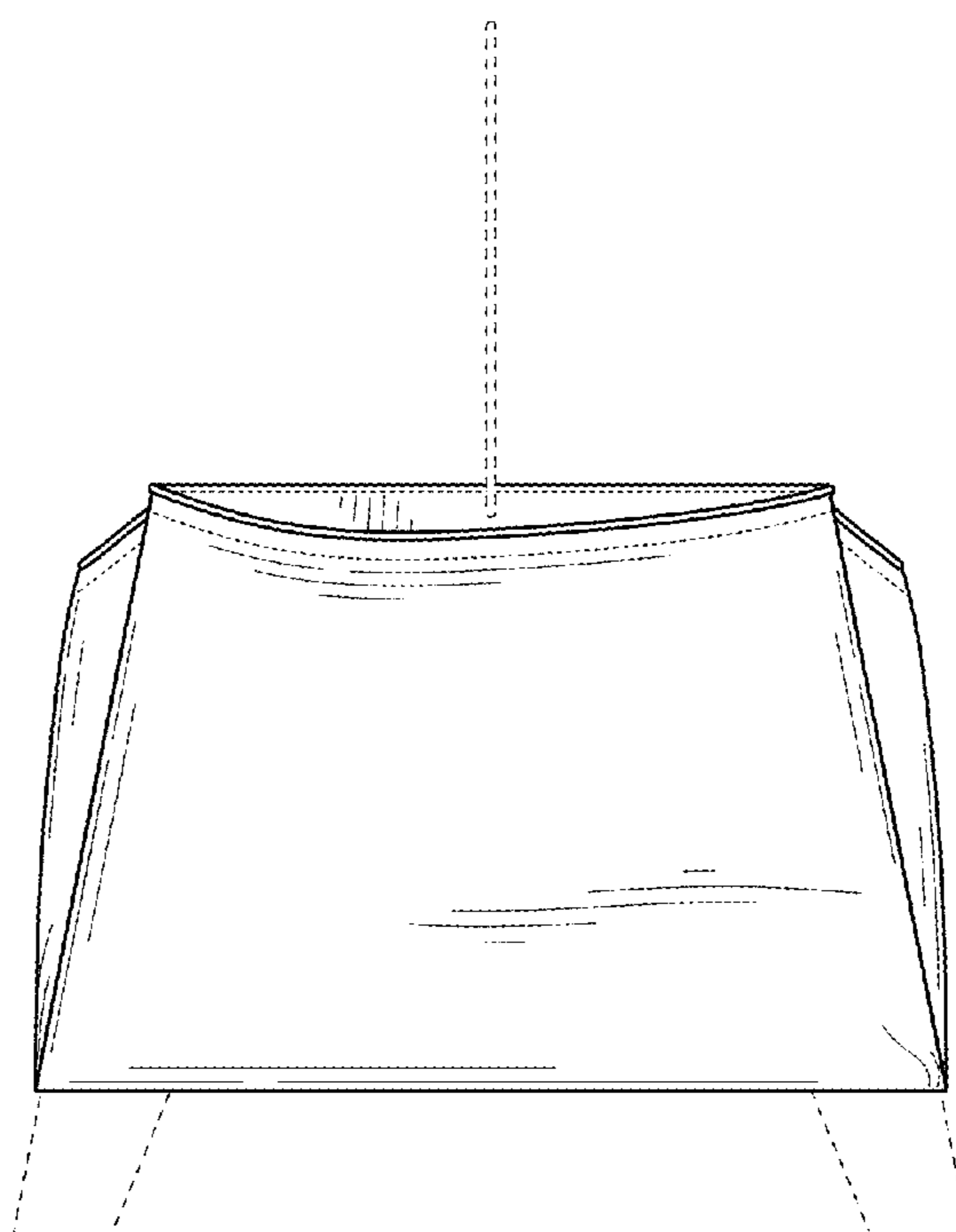


FIG. 12



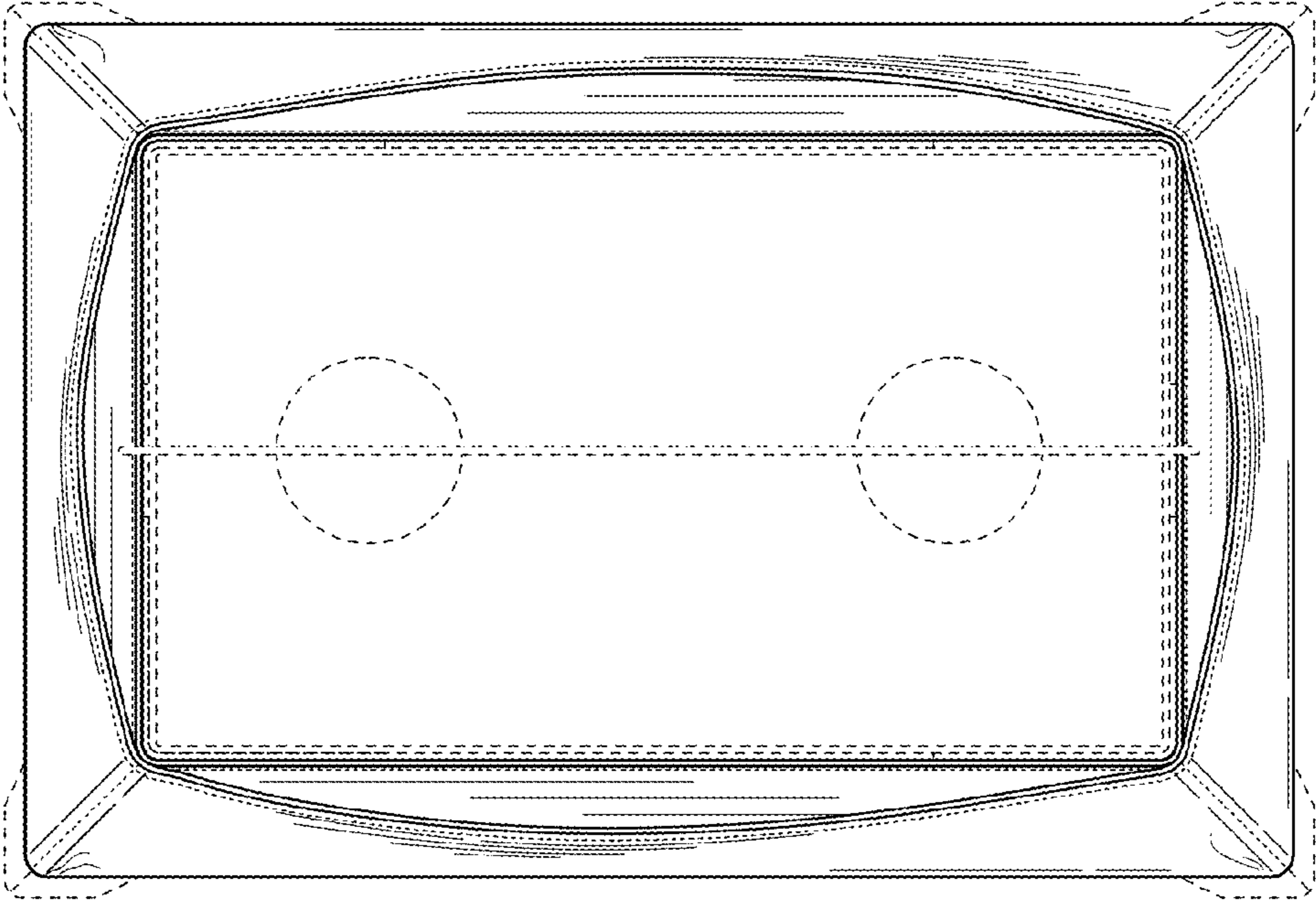


FIG. 13

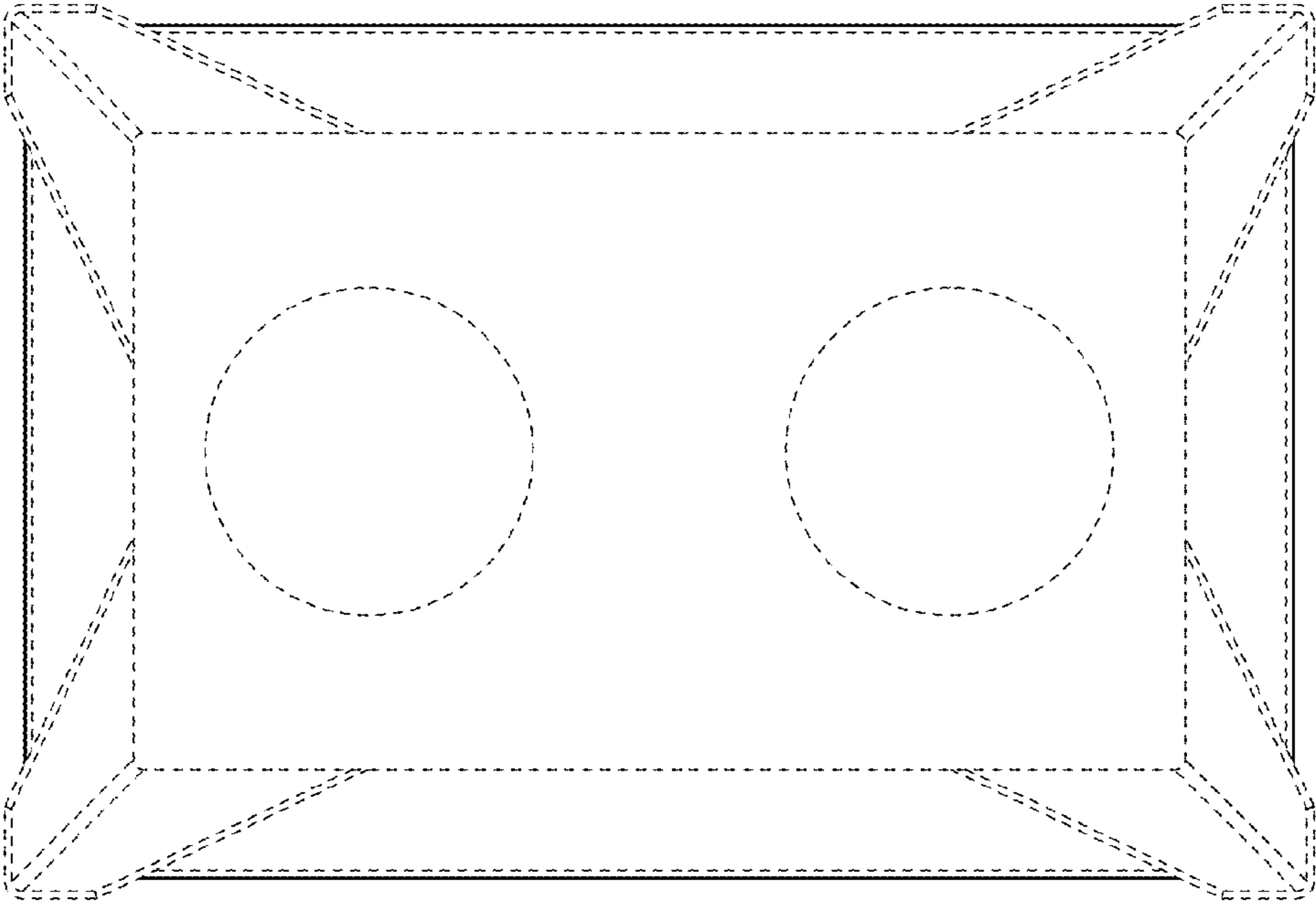


FIG. 14