



US00D748385S

(12) **United States Design Patent**  
**Birkinhead et al.**

(10) **Patent No.:** **US D748,385 S**

(45) **Date of Patent:** **\*\* Feb. 2, 2016**

(54) **SHOE**

(71) Applicant: **Reebok International Limited**, London (GB)

(72) Inventors: **Toby Birkinhead**, Hertfordshire (GB);  
**Daniel Hobson**, Waltham, MA (US)

(73) Assignee: **Reebok International Limited**, London (GB)

(\*\*) Term: **14 Years**

(21) Appl. No.: **29/459,874**

(22) Filed: **Jul. 3, 2013**

(51) **LOC (10) Cl.** ..... **02-04**

(52) **U.S. Cl.**  
USPC ..... **D2/960; D2/951; D2/957**

(58) **Field of Classification Search**  
USPC ..... D2/902, 906, 908, 916, 918, 925,  
D2/946-962, 977; 36/3 B, 22 R, 24.5, 25 R,  
36/28, 32 R, 34 R, 59 C, 67 A, 103  
See application file for complete search history.

(56) **References Cited**

**U.S. PATENT DOCUMENTS**

2,685,141	A *	8/1954	Davenport	.....	36/7.6
D433,790	S *	11/2000	Oliver	.....	D2/957
D474,586	S *	5/2003	Recchi	.....	D2/957
D487,955	S *	4/2004	Ammon	.....	D2/953
D508,307	S *	8/2005	Burg et al.	.....	D2/953
D515,792	S *	2/2006	McClaskie	.....	D2/957
D530,493	S *	10/2006	Holmes	.....	D2/957
D543,340	S *	5/2007	Favreau et al.	.....	D2/960
7,313,875	B2 *	1/2008	Morgan	.....	36/59 C
D561,438	S *	2/2008	Belley	.....	D2/957
D581,641	S *	12/2008	Bethke, Jr.	.....	D2/957
D584,491	S *	1/2009	Matis	.....	D2/956
D584,492	S *	1/2009	Lee	.....	D2/957
D586,991	S *	2/2009	Fuerst	.....	D2/957
D589,692	S *	4/2009	McClaskie	.....	D2/957

D607,185	S *	1/2010	Soon	.....	D2/902
7,930,841	B2 *	4/2011	Luedecke et al.	.....	36/113
D642,362	S *	8/2011	Miner	.....	D2/957
D657,542	S *	4/2012	Duan	.....	D2/960
D659,967	S *	5/2012	Miner	.....	D2/957
D674,173	S *	1/2013	Bramani et al.	.....	D2/902
D682,519	S *	5/2013	Litchfield et al.	.....	D2/955
D693,995	S *	11/2013	Lazaris	.....	D2/902
8,601,720	B2 *	12/2013	Aveni	.....	36/11.5
D697,296	S *	1/2014	Loyley	.....	D2/953
8,671,592	B2 *	3/2014	Dojan	.....	36/59 C
8,732,982	B2 *	5/2014	Sullivan et al.	.....	36/25 R
D710,078	S *	8/2014	Joseph	.....	D2/957
D711,085	S *	8/2014	da Costa Pereira Machado	.....	D2/960
D714,532	S *	10/2014	Miner	.....	D2/947
D721,474	S *	1/2015	Miner	.....	D2/947
D722,220	S *	2/2015	Miner	.....	D2/947
2009/0083998	A1 *	4/2009	Luedecke et al.	.....	36/89
2011/0078922	A1 *	4/2011	Cavaliere et al.	.....	36/54
2011/0131841	A1 *	6/2011	Foster	.....	36/25 R
2011/0154688	A1 *	6/2011	Yu et al.	.....	36/28

(Continued)

*Primary Examiner* — T. Chase Nelson

(74) *Attorney, Agent, or Firm* — Sterne, Kessler, Goldstein & Fox P.L.L.C.

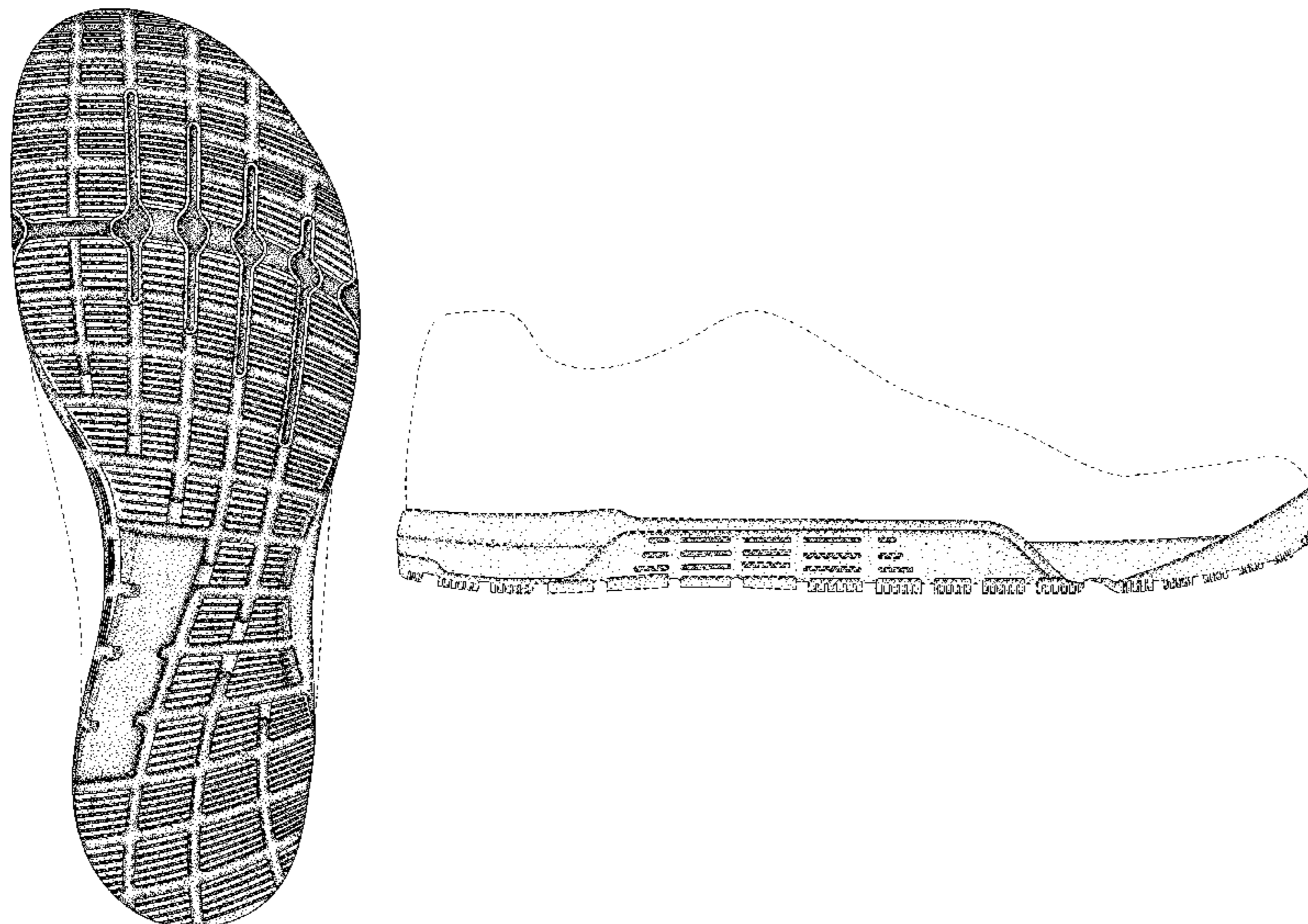
(57) **CLAIM**

The ornamental design for a shoe, as shown and described.

**DESCRIPTION**

FIG. 1 is a perspective view of a shoe showing our new design;  
FIG. 2 is a bottom view thereof;  
FIG. 3 is a side view thereof;  
FIG. 4 is another side view thereof;  
FIG. 5 is a front view thereof;  
FIG. 6 is a rear view thereof; and,  
FIG. 7 is bottom perspective view thereof.  
The broken lines in the Figures show environment for illustrative purposes only and form no part of the claimed design.

**1 Claim, 7 Drawing Sheets**



# US D748,385 S

Page 2

---

(56)

## References Cited

### U.S. PATENT DOCUMENTS

2011/0214313	A1 *	9/2011	James et al. ....	36/103	
2013/0152428	A1 *	6/2013	Bishop et al. ....	36/103	
2014/0013624	A1 *	1/2014	Stockbridge et al. ....	36/103	
2014/0013626	A1 *	1/2014	James et al. ....	36/103	
2014/0041261	A1 *	2/2014	Walker et al. ....	36/25 R	

\* cited by examiner

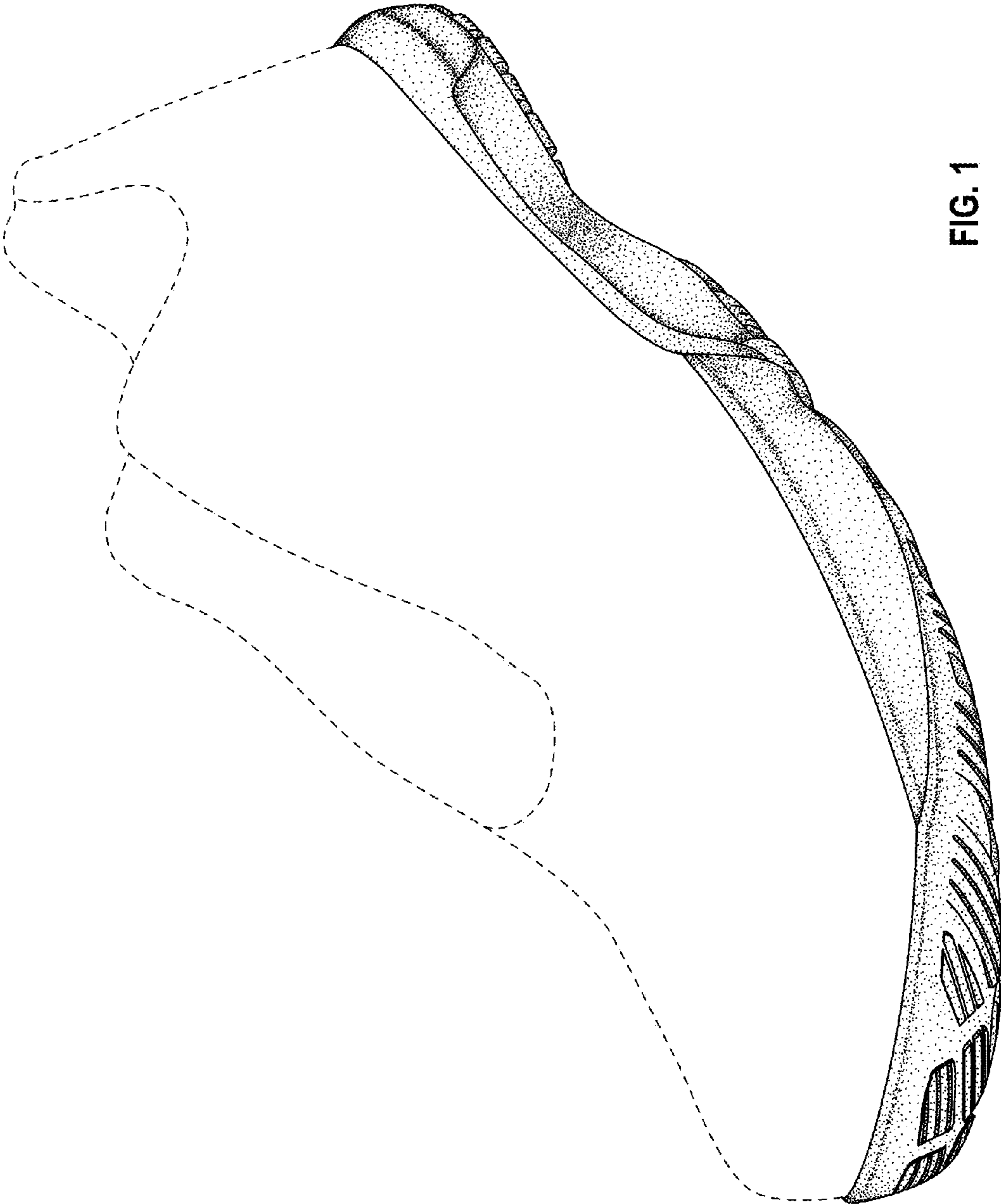


FIG. 1

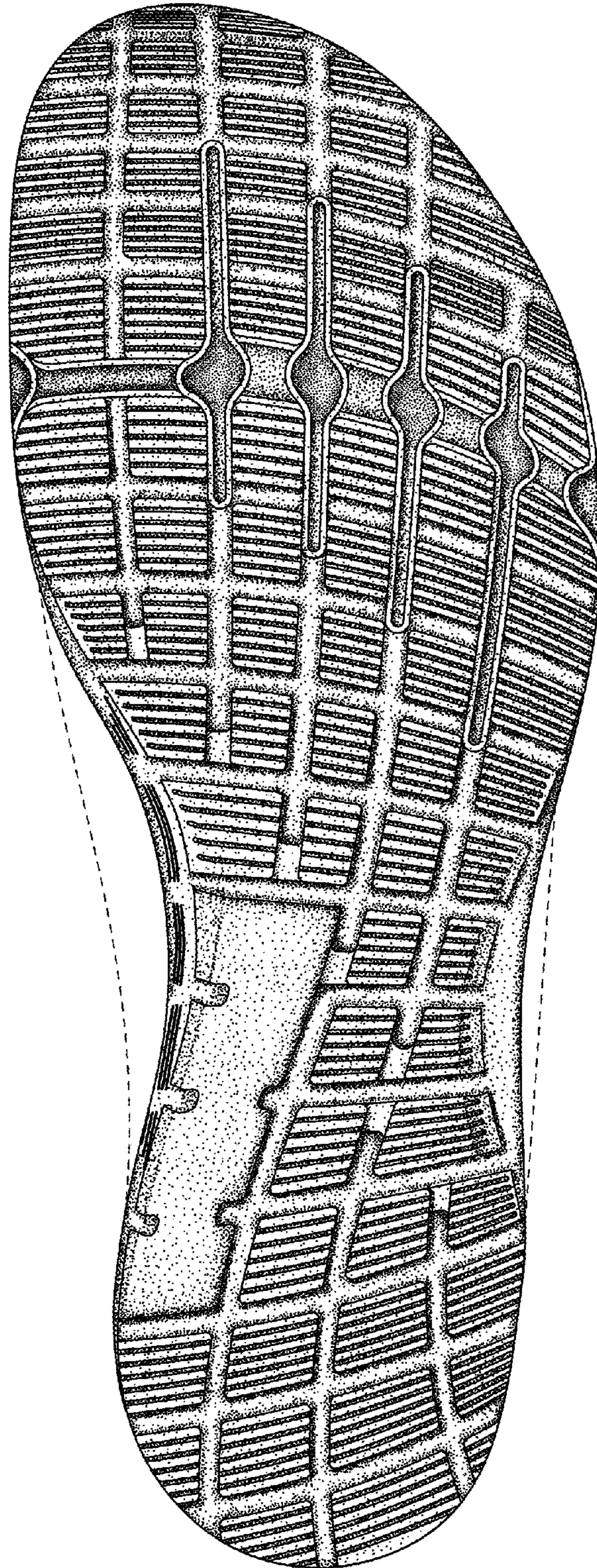


FIG. 2

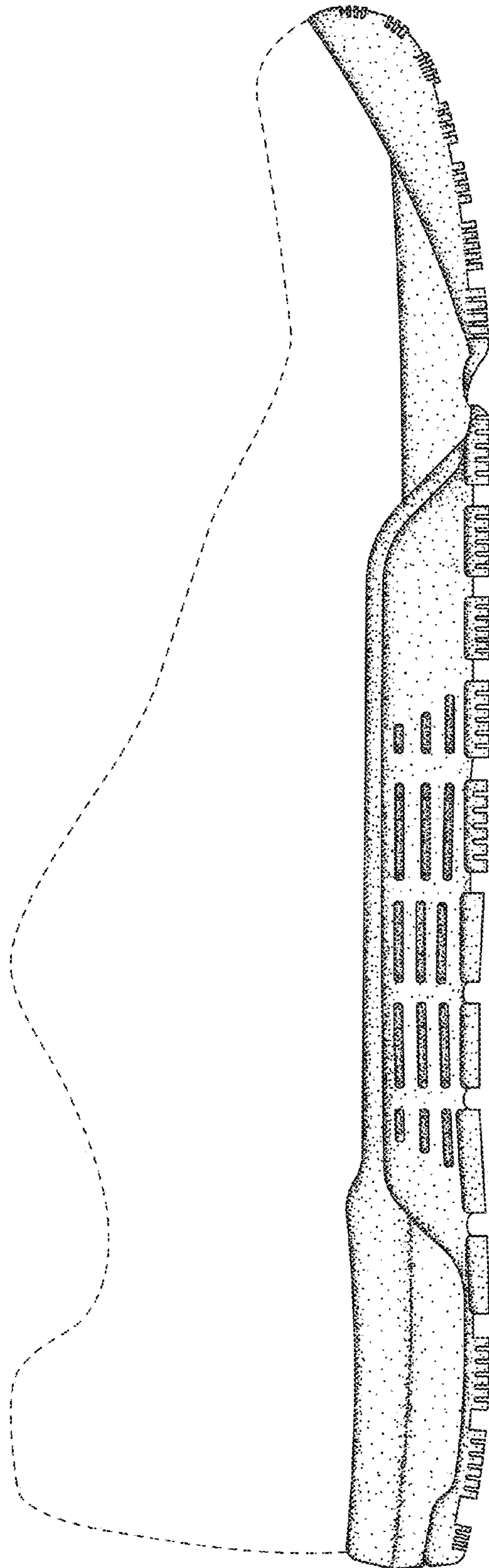


FIG. 3

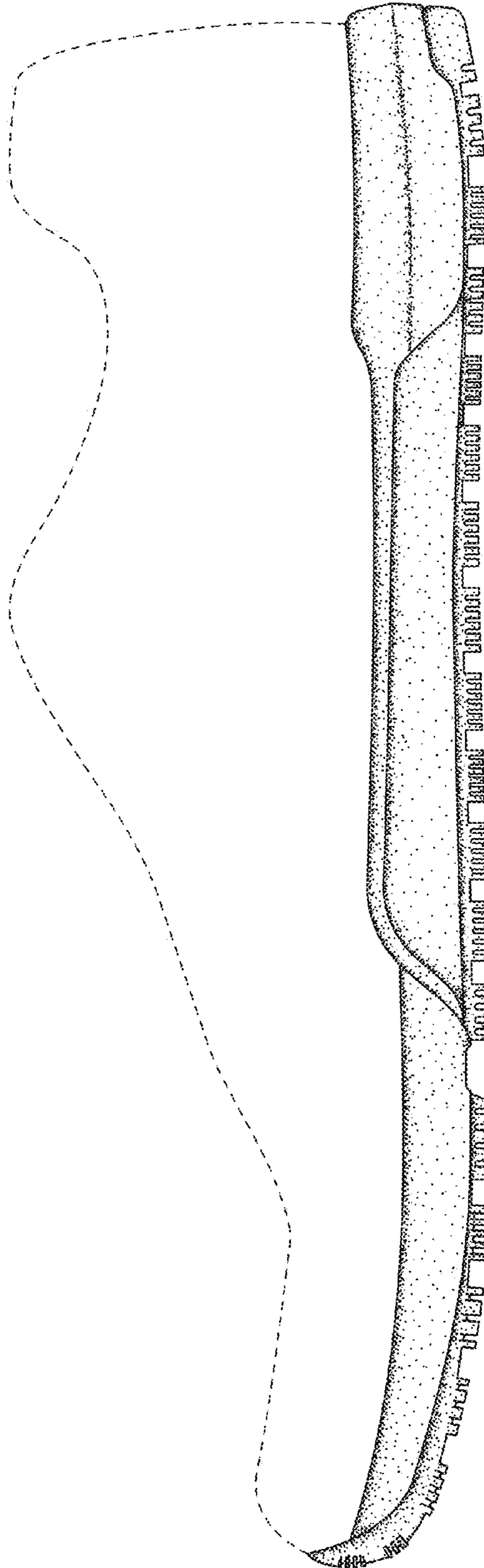


FIG. 4

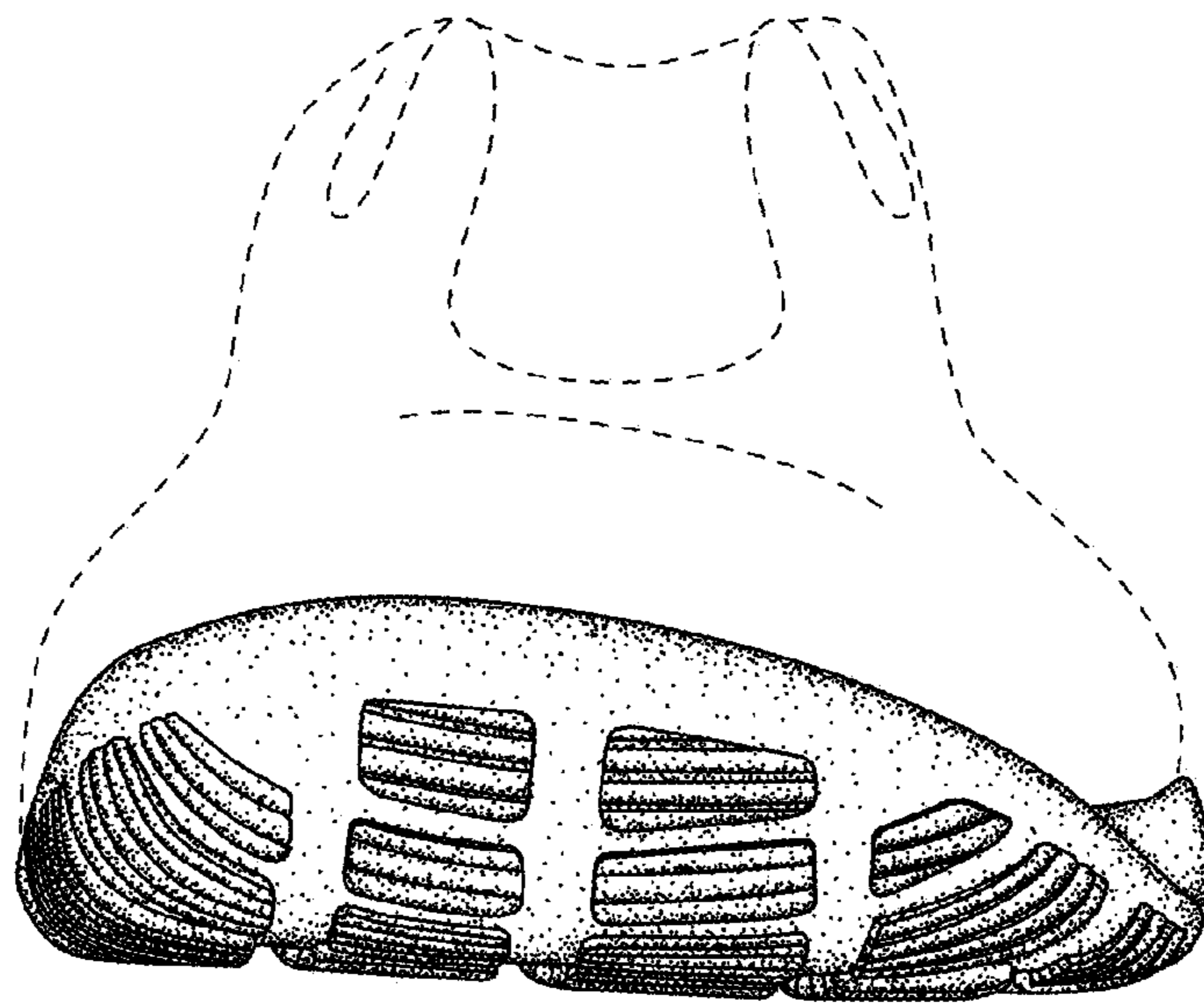


FIG. 5

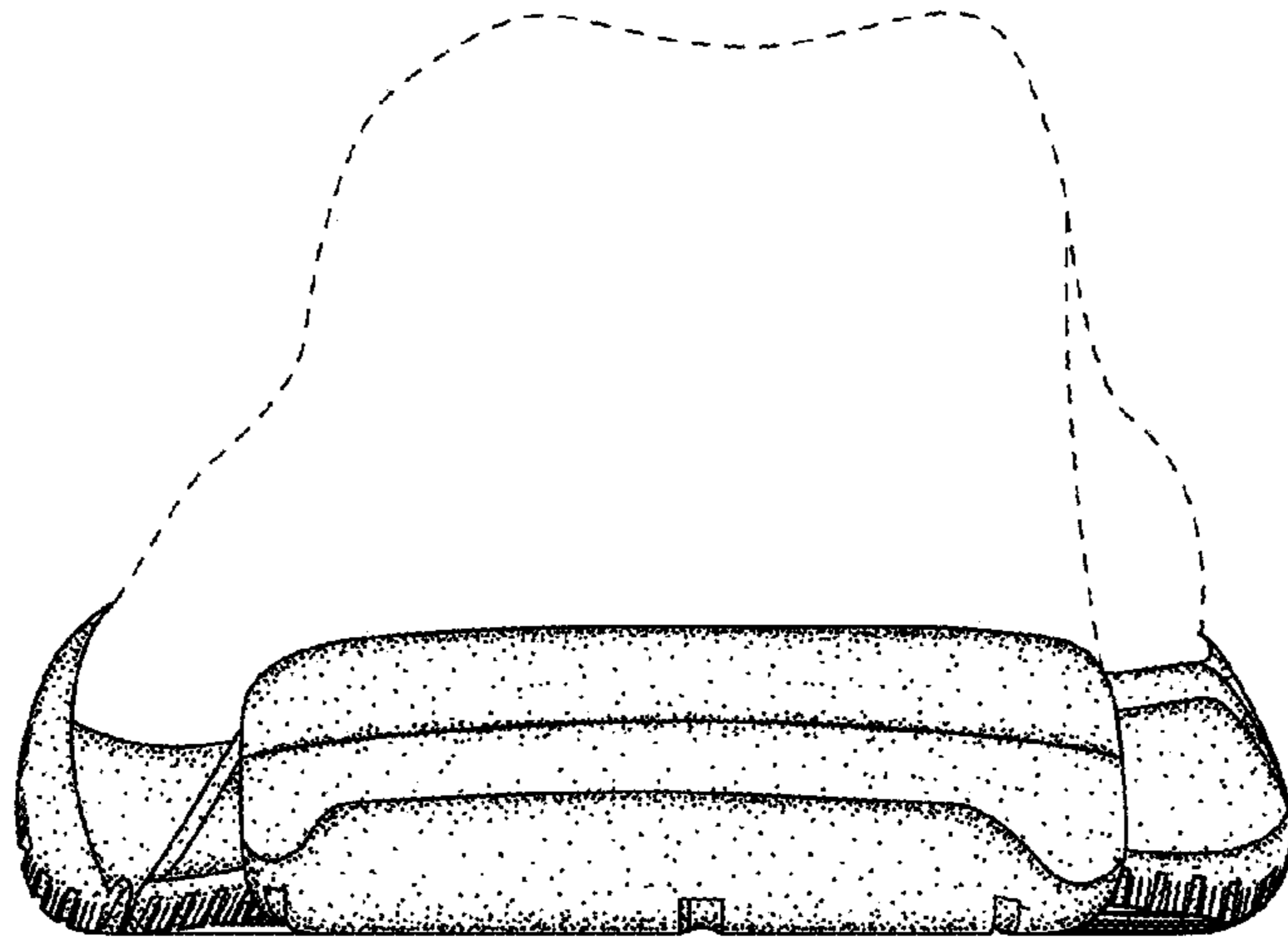


FIG. 6



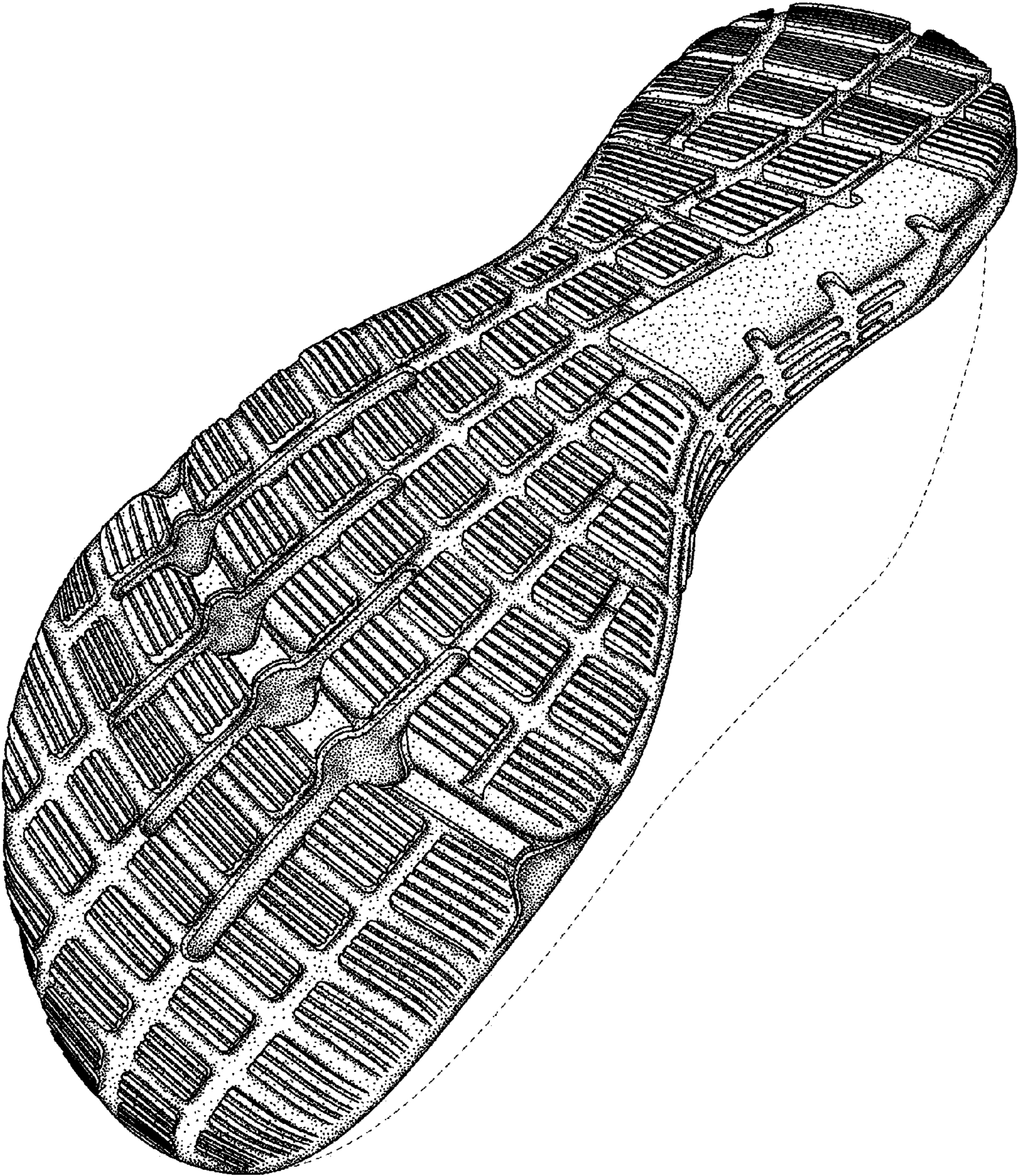


FIG. 7