



US00D748366S

(12) **United States Design Patent**  
**Rogers et al.**

(10) **Patent No.:** **US D748,366 S**  
(45) **Date of Patent:** **\*\* Feb. 2, 2016**

- (54) **ROOT VEGETABLE PRODUCT**
- (71) Applicant: **McCain Foods Limited**,  
Florenceville-Bristol (CA)
- (72) Inventors: **David M. Rogers**, Woodstock (CA);  
**John Aikens**, New Maryland (CA)
- (73) Assignee: **MCCAIN FOODS LIMITED**,  
Florenceville-Bristol (CA)
- (\*\*) Term: **14 Years**
- (21) Appl. No.: **29/523,285**
- (22) Filed: **Apr. 8, 2015**

**Related U.S. Application Data**

- (62) Division of application No. 29/475,345, filed on Dec. 3, 2013, now Pat. No. Des. 735,441.
- (51) **LOC (10) Cl.** ..... **01-01**
- (52) **U.S. Cl.**  
USPC ..... **D1/125**
- (58) **Field of Classification Search**  
USPC ..... D1/100–130, 199; D7/504, 509, 510,  
D7/523, 524, 555, 566, 568, 584–587, 602,  
D7/672, 300.1; D21/386, 672, 803, 821;  
D19/91; 426/92, 94, 95, 99, 101,  
426/138–139, 143, 279, 282, 283, 391,  
426/514; D11/146, 151, 154, 78, 131, 141,  
D11/152; D14/480.5, 484.1; D25/119, 121,  
D25/126; D30/160; 220/566; D34/28, 29  
CPC ..... A21D 13/0029; A21D 13/0074; A21D  
13/0022; A21D 13/0006; A23L 1/1641;  
A23L 1/005  
See application file for complete search history.

(56) **References Cited**

**U.S. PATENT DOCUMENTS**

- 2,108,002 A \* 2/1938 Smith et al. .... 40/440
- 2,113,038 A \* 4/1938 Thalinger ..... 428/7
- 4,145,731 A 3/1979 Adamich

- 4,515,817 A 5/1985 Pavan
- 4,650,684 A 3/1987 Penrose
- 4,855,151 A 8/1989 Fielding
- D323,414 S 1/1992 Bruke
- D326,944 S \* 6/1992 Bruke ..... D34/29

(Continued)

**OTHER PUBLICATIONS**

How to cut a Spiral Potato, [www.sealsaltwithfood.com/2010/11/how-to-cut-spiral-potato.html](http://www.sealsaltwithfood.com/2010/11/how-to-cut-spiral-potato.html).

*Primary Examiner* — Deanna L Pratt

*Assistant Examiner* — Katie Mroczka

(74) *Attorney, Agent, or Firm* — Bereskin & Parr LLP/S.E.N.C.R.L., s.r.l.

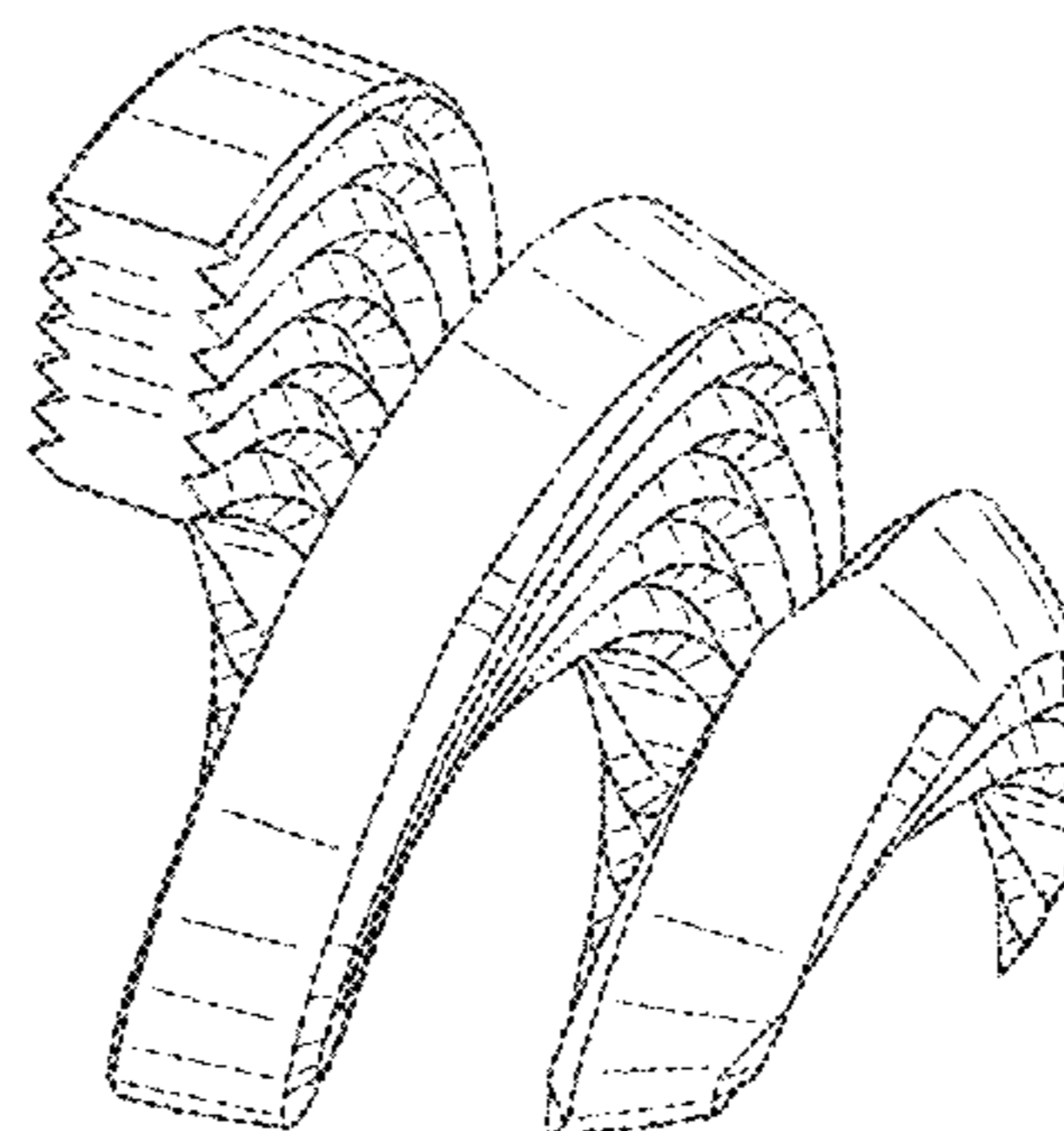
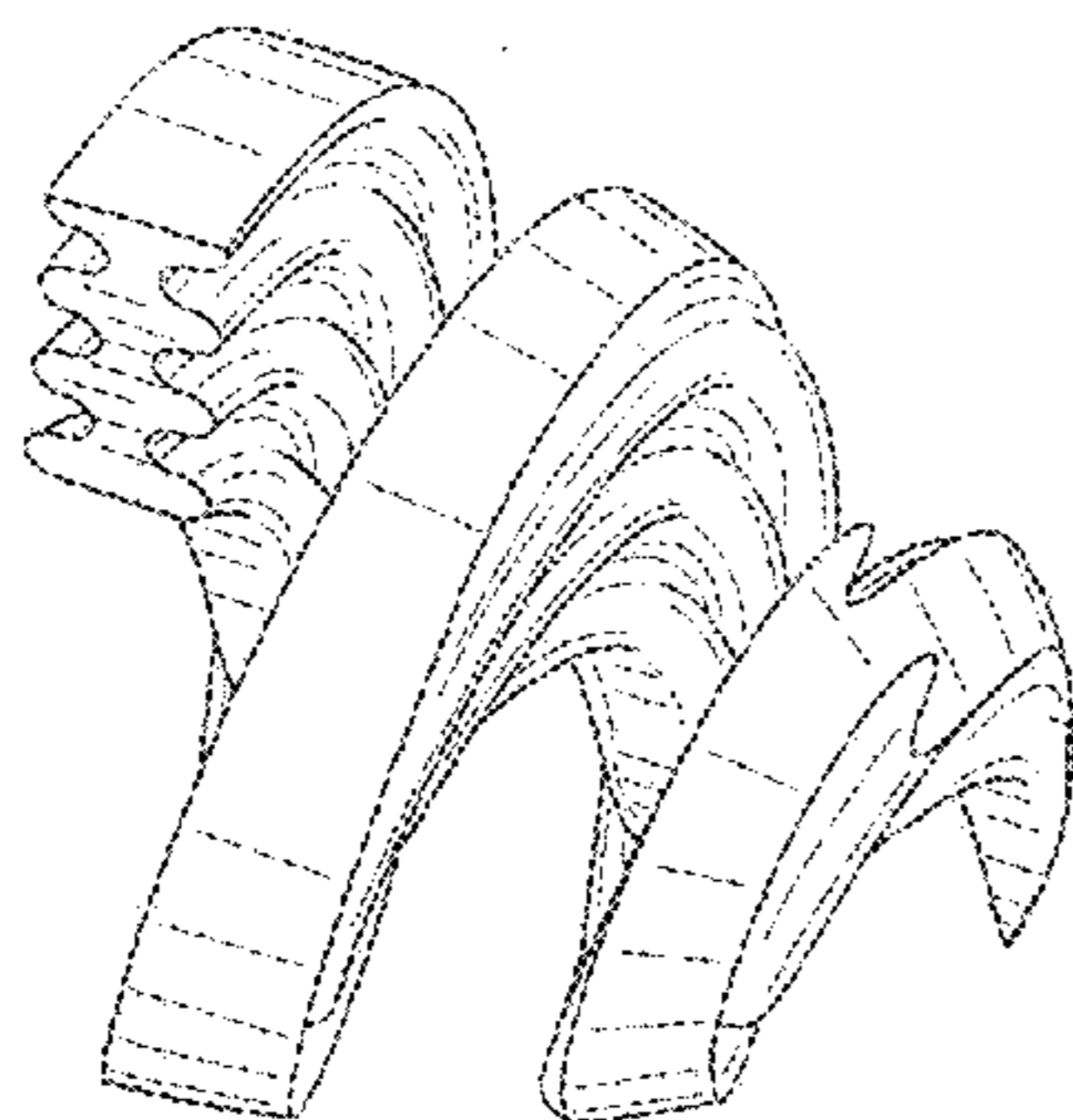
(57) **CLAIM**

We claim the ornamental design for a root vegetable product, as shown and described.

**DESCRIPTION**

FIG. 1 is a front perspective view of a first embodiment of the root vegetable product in accordance with our new design. FIG. 2 is a left side view thereof; FIG. 3 is front view thereof; FIG. 4 is right side view thereof; FIG. 5 is a rear view thereof; FIG. 6 is a top plan view thereof; FIG. 7 is a bottom view thereof; FIG. 8 is a front perspective view of a second embodiment of our new design; FIG. 9 is a left side view thereof; FIG. 10 is a front side view thereof; FIG. 11 is a right side view thereof; FIG. 12 is a rear view thereof; FIG. 13 is a top plan view thereof; and, FIG. 14 is a bottom plan view thereof.

**1 Claim, 4 Drawing Sheets**



(56)

**References Cited**

U.S. PATENT DOCUMENTS

5,296,252 A 3/1994 Mendenhall  
5,419,903 A 5/1995 Evans et al.  
D380,885 S 7/1997 Goll  
6,048,590 A \* 4/2000 Phillips ..... 428/9  
D458,434 S 6/2002 Bortone  
D492,087 S 6/2004 Bortone  
D495,852 S 9/2004 Barber  
D501,897 S 2/2005 Bortone  
D512,546 S 12/2005 Ibanez

D577,176 S 9/2008 Young et al.  
D679,476 S 4/2013 Barber et al.  
D688,437 S 8/2013 Walker et al.  
D690,896 S 10/2013 Barber et al.  
D702,417 S 4/2014 King et al.  
D706,017 S 6/2014 King et al.  
D706,164 S 6/2014 Galvan  
D707,418 S 6/2014 Rogers et al.  
D712,618 S \* 9/2014 Rogers et al. .... D1/125  
D722,417 S \* 2/2015 Rogers et al. .... D1/125  
D729,492 S \* 5/2015 Rogers et al. .... D1/125  
2013/0087032 A1 4/2013 Walker et al.

\* cited by examiner

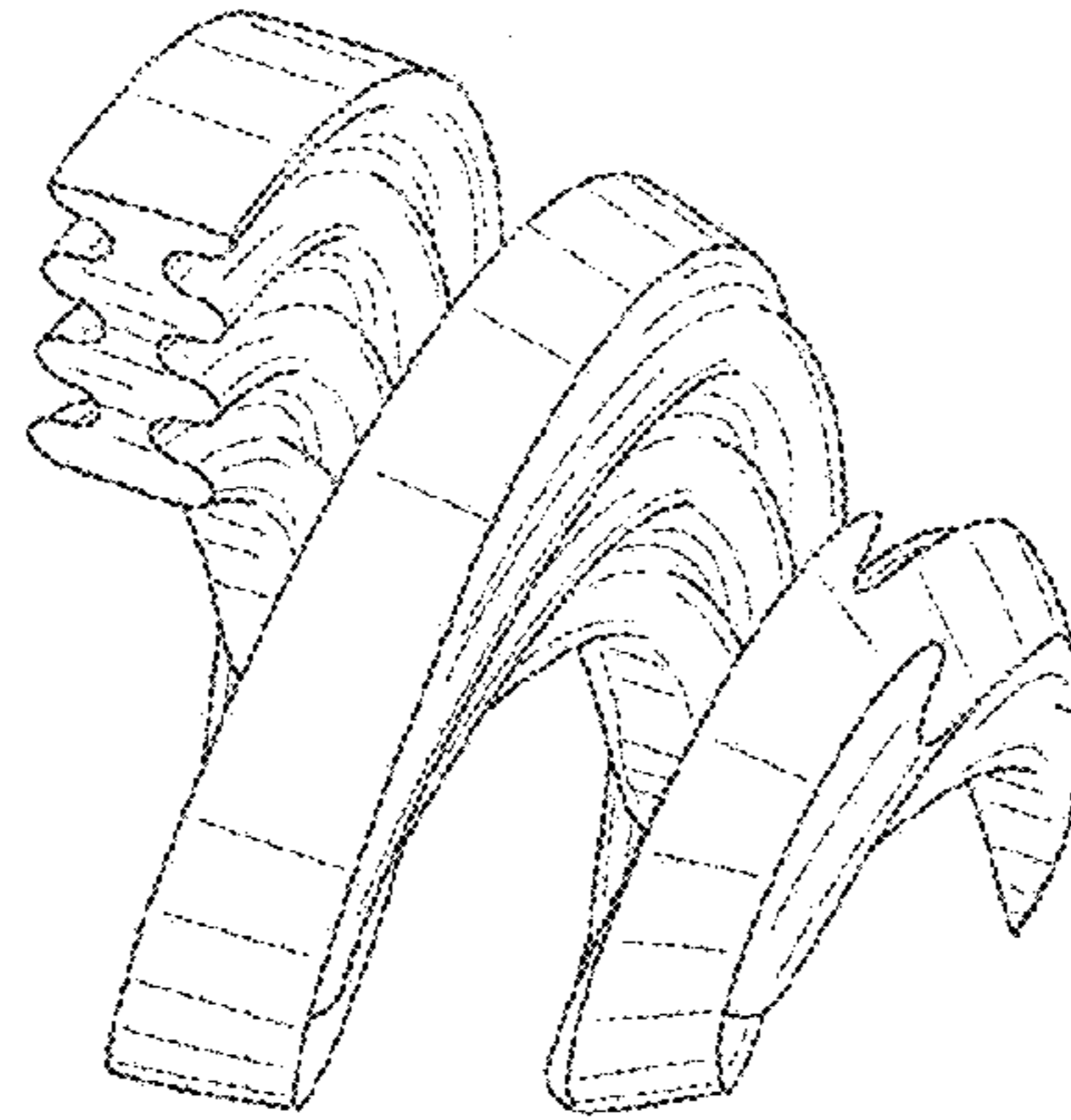


FIG. 1

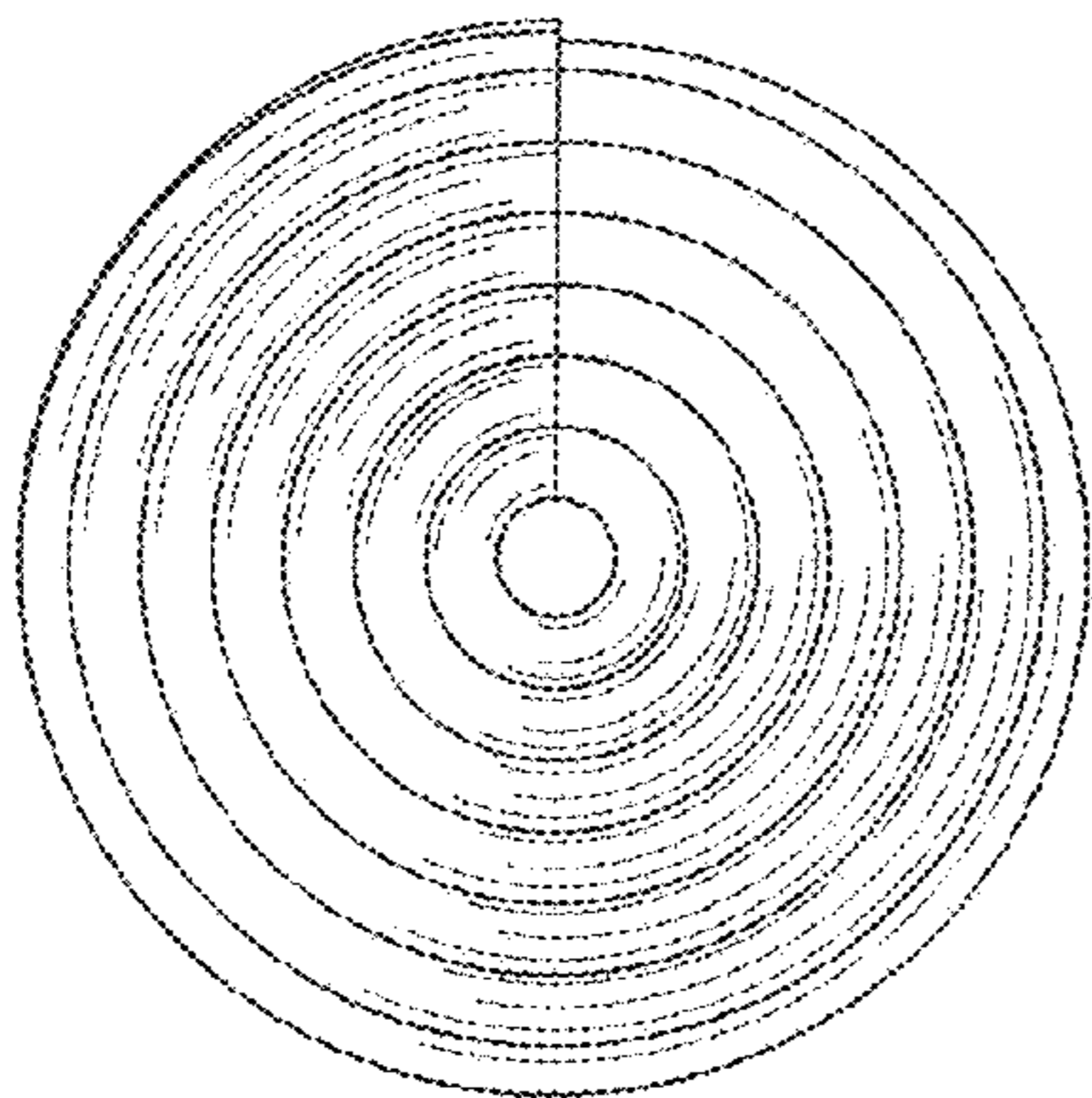


FIG. 2

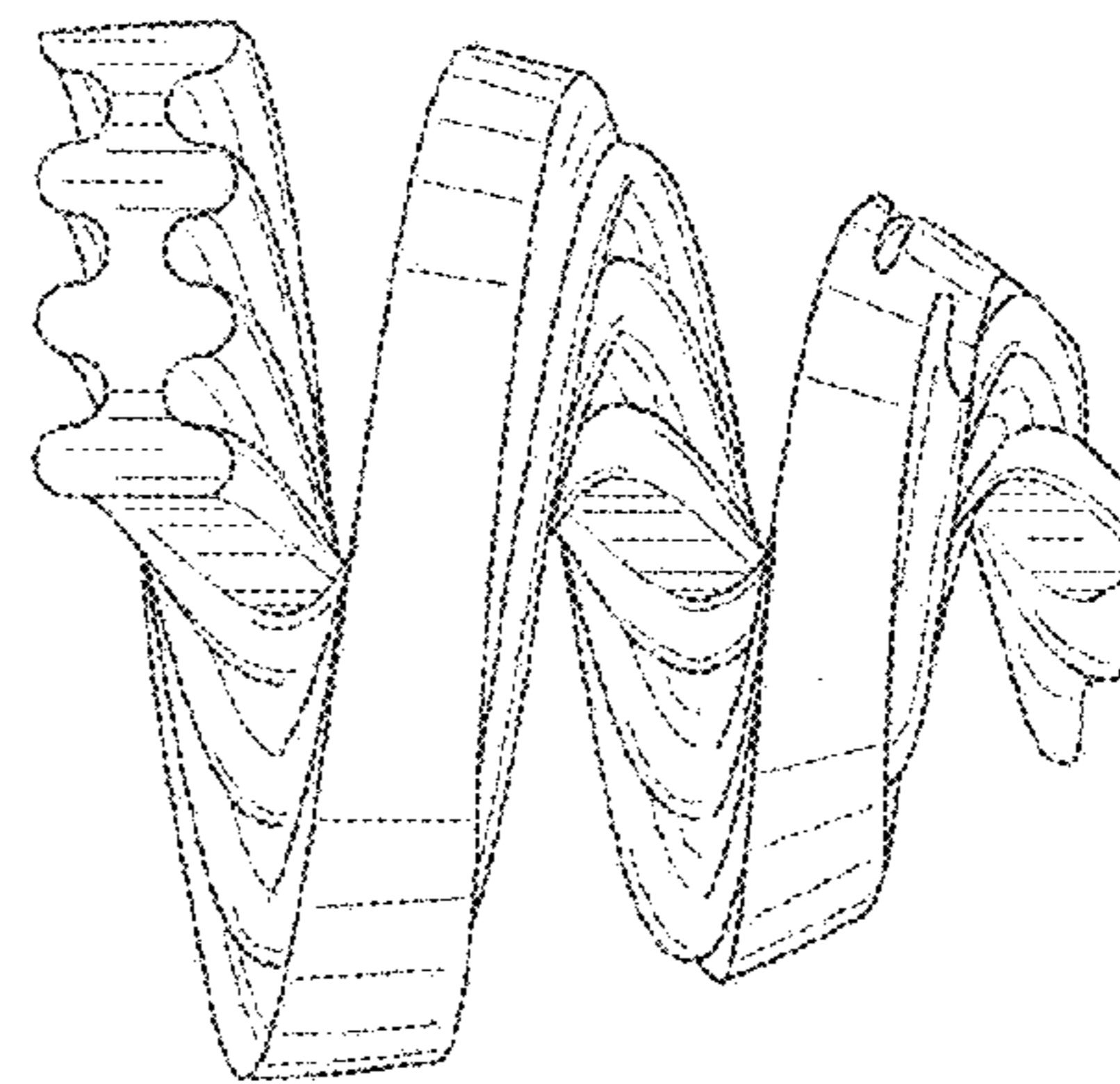


FIG. 3

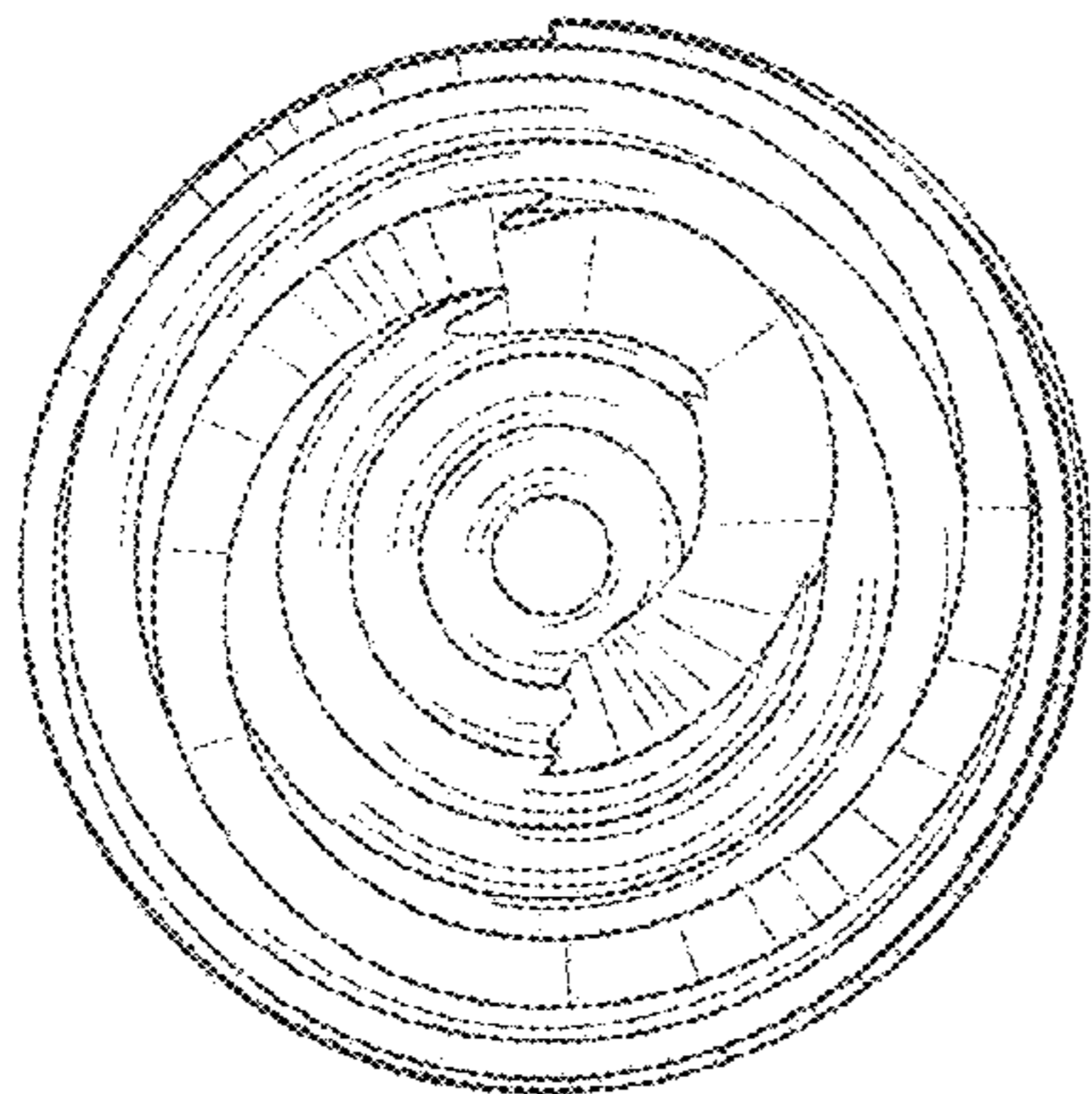


FIG. 4

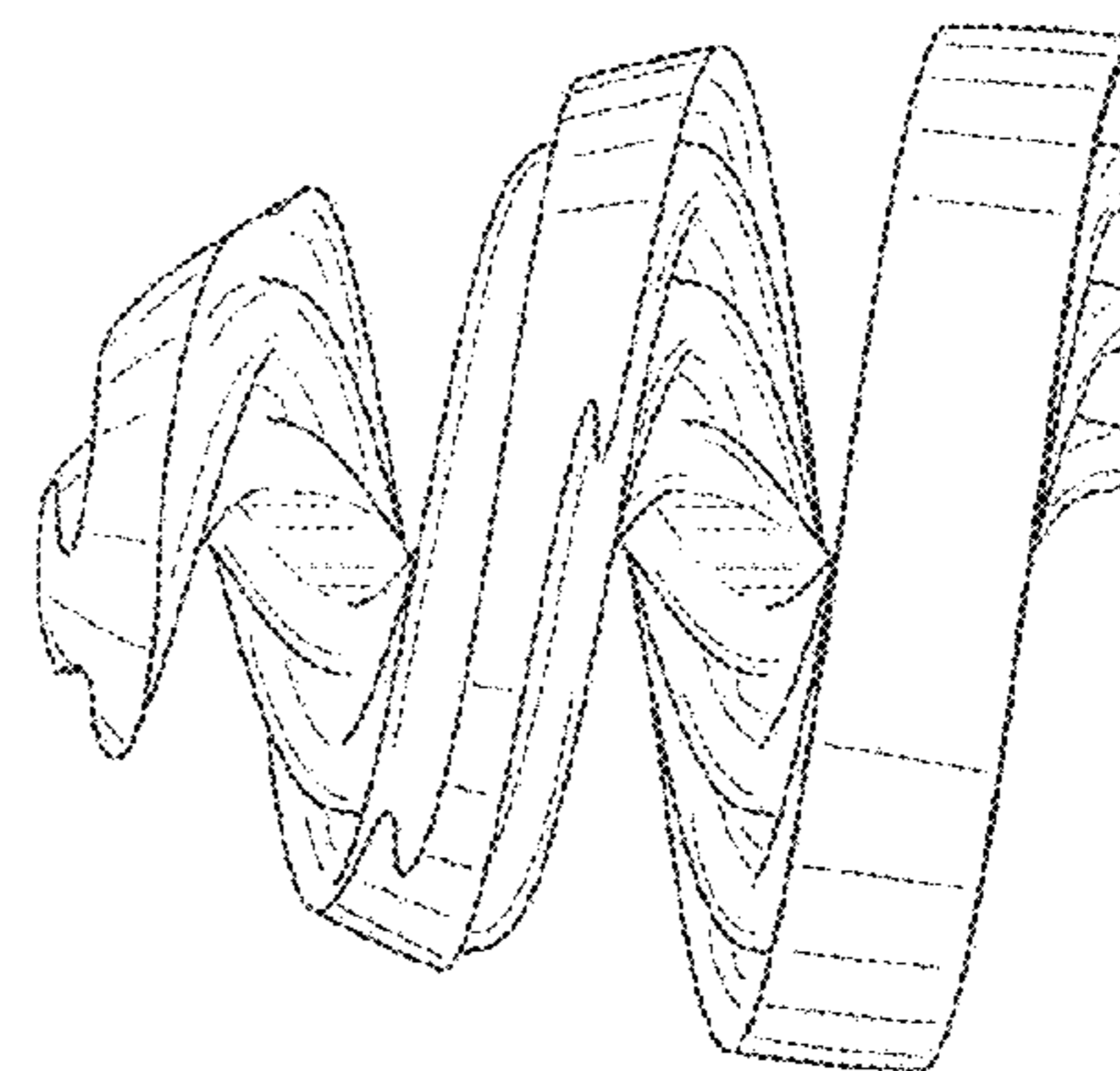


FIG. 5

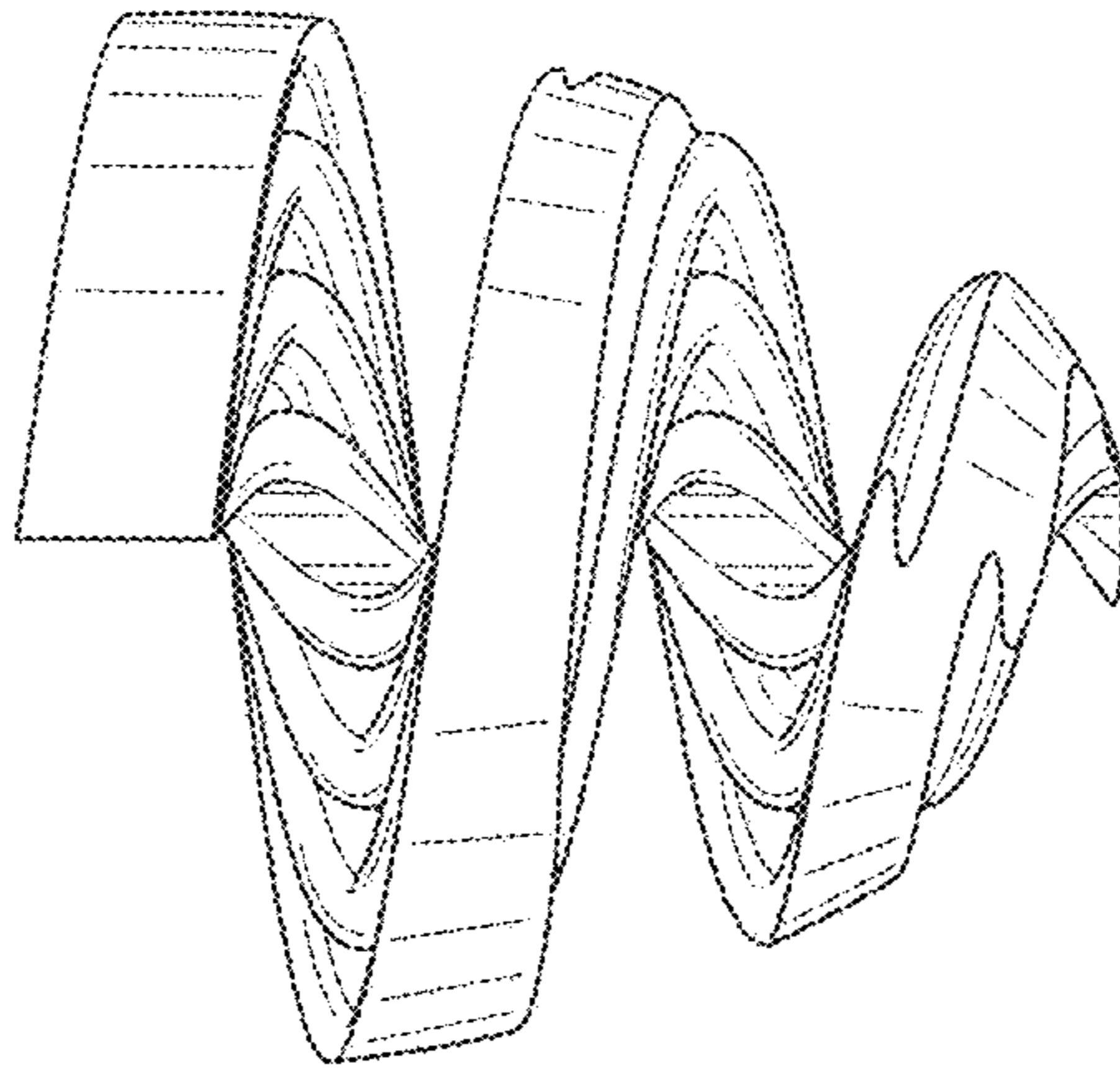


FIG. 6

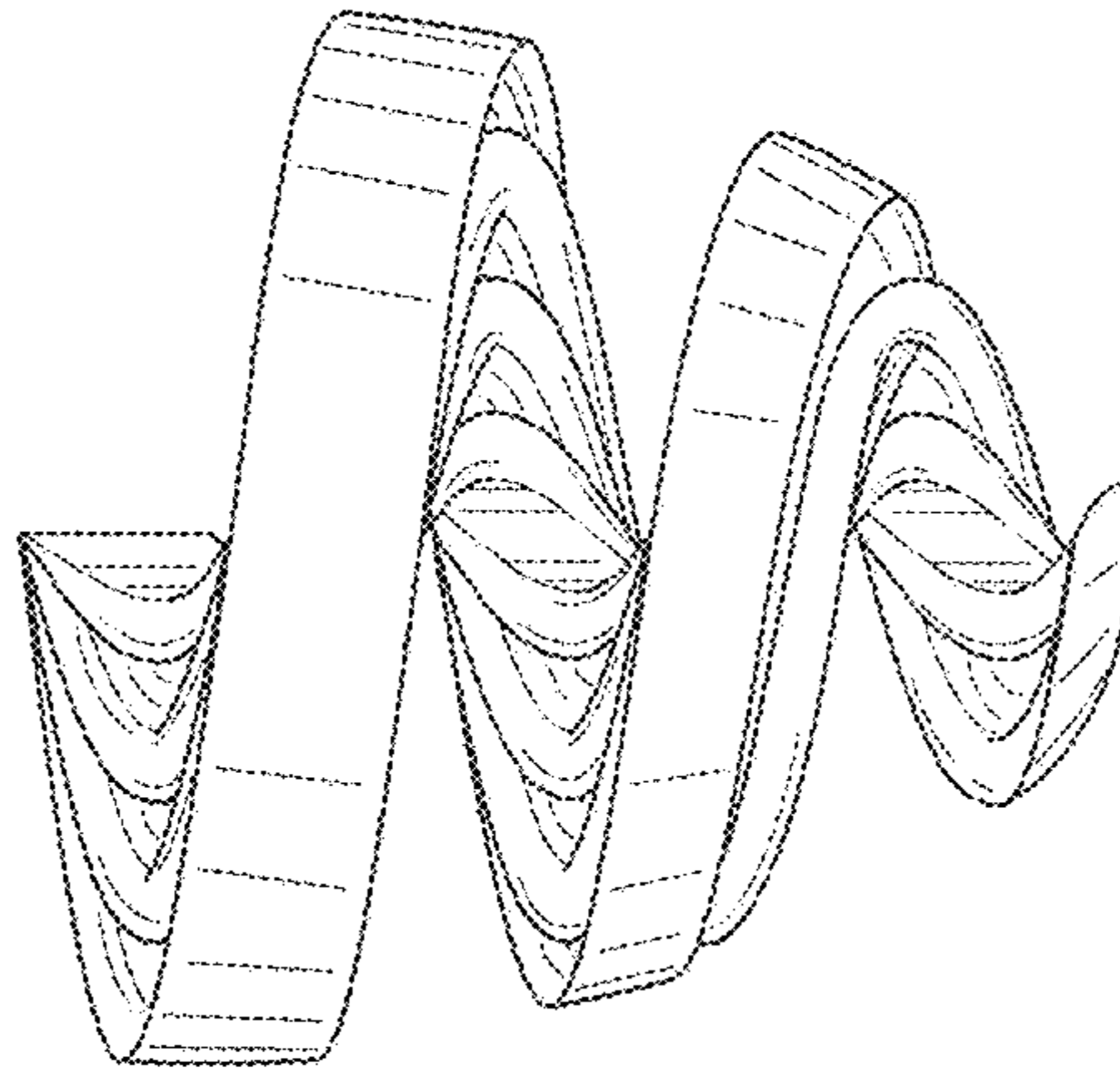


FIG. 7

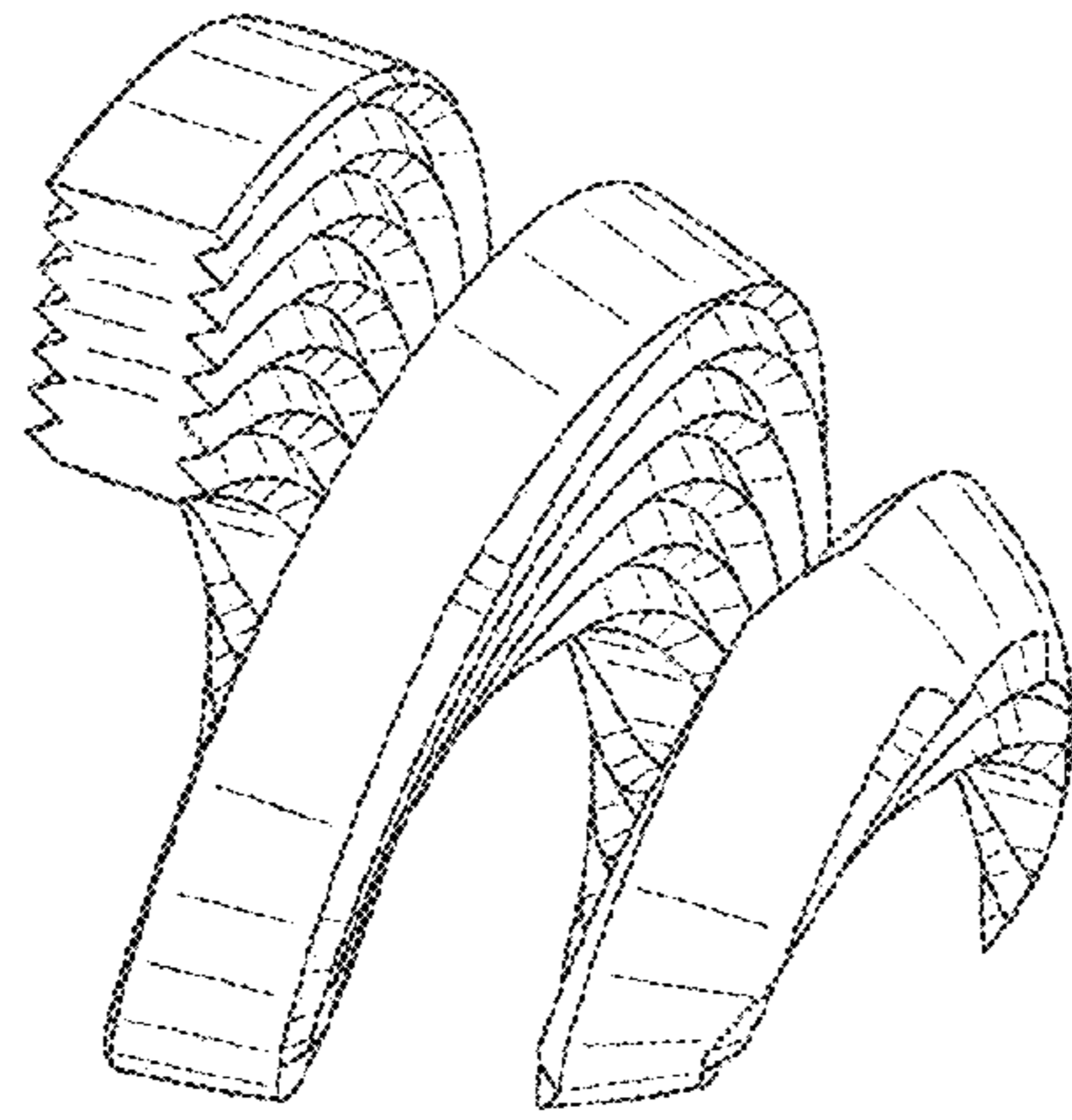


FIG. 8

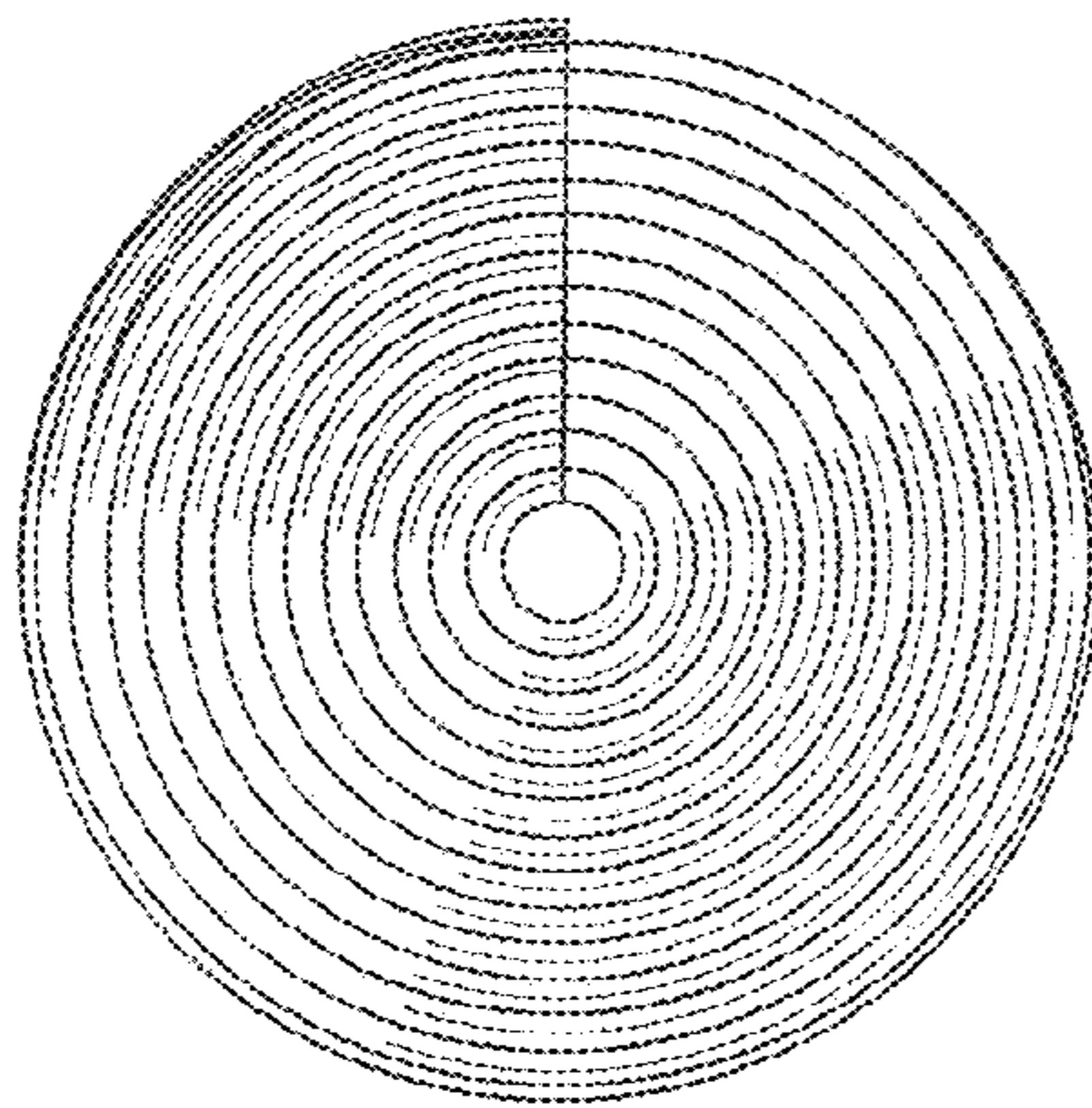


FIG. 9

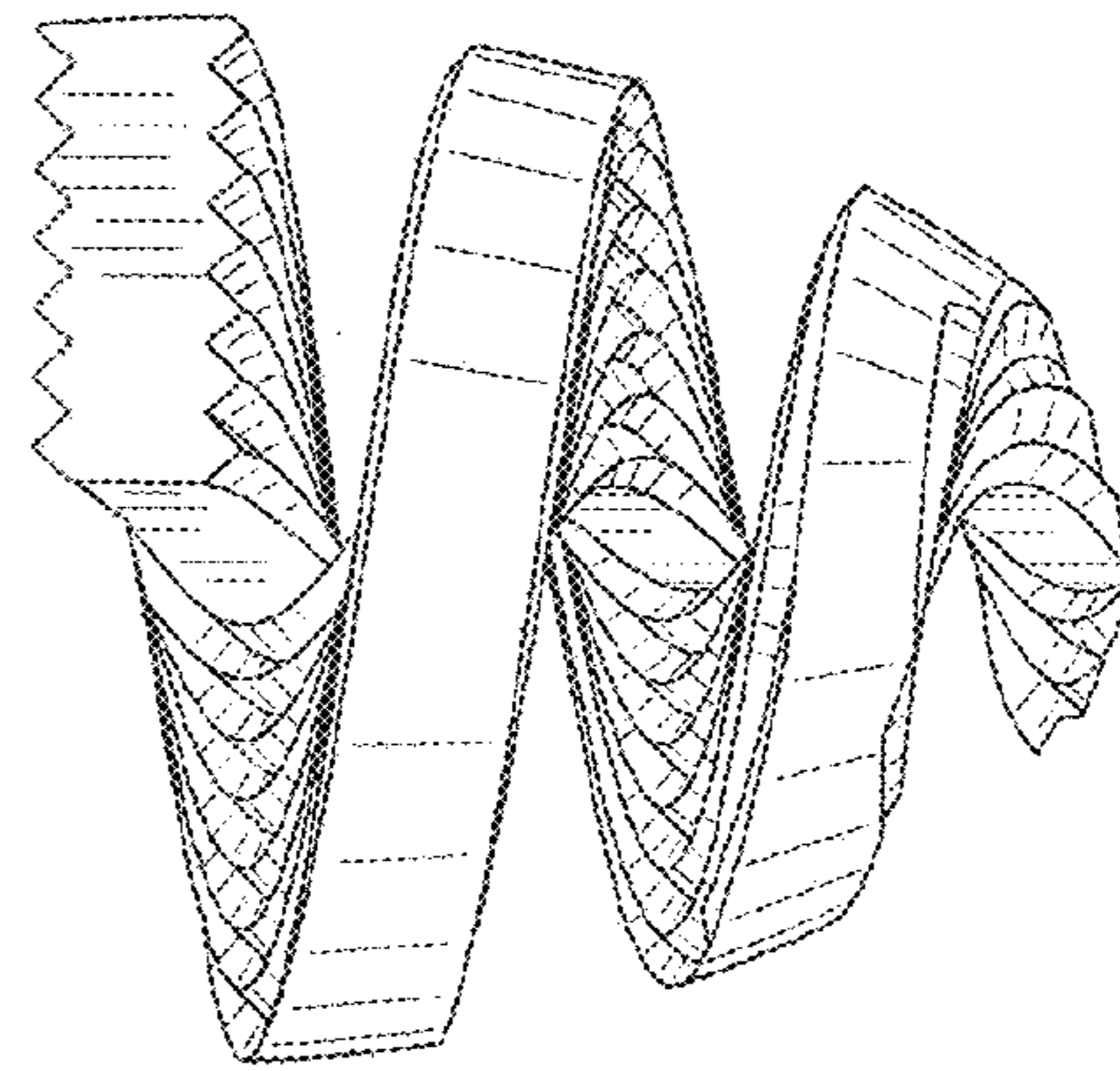


FIG. 10

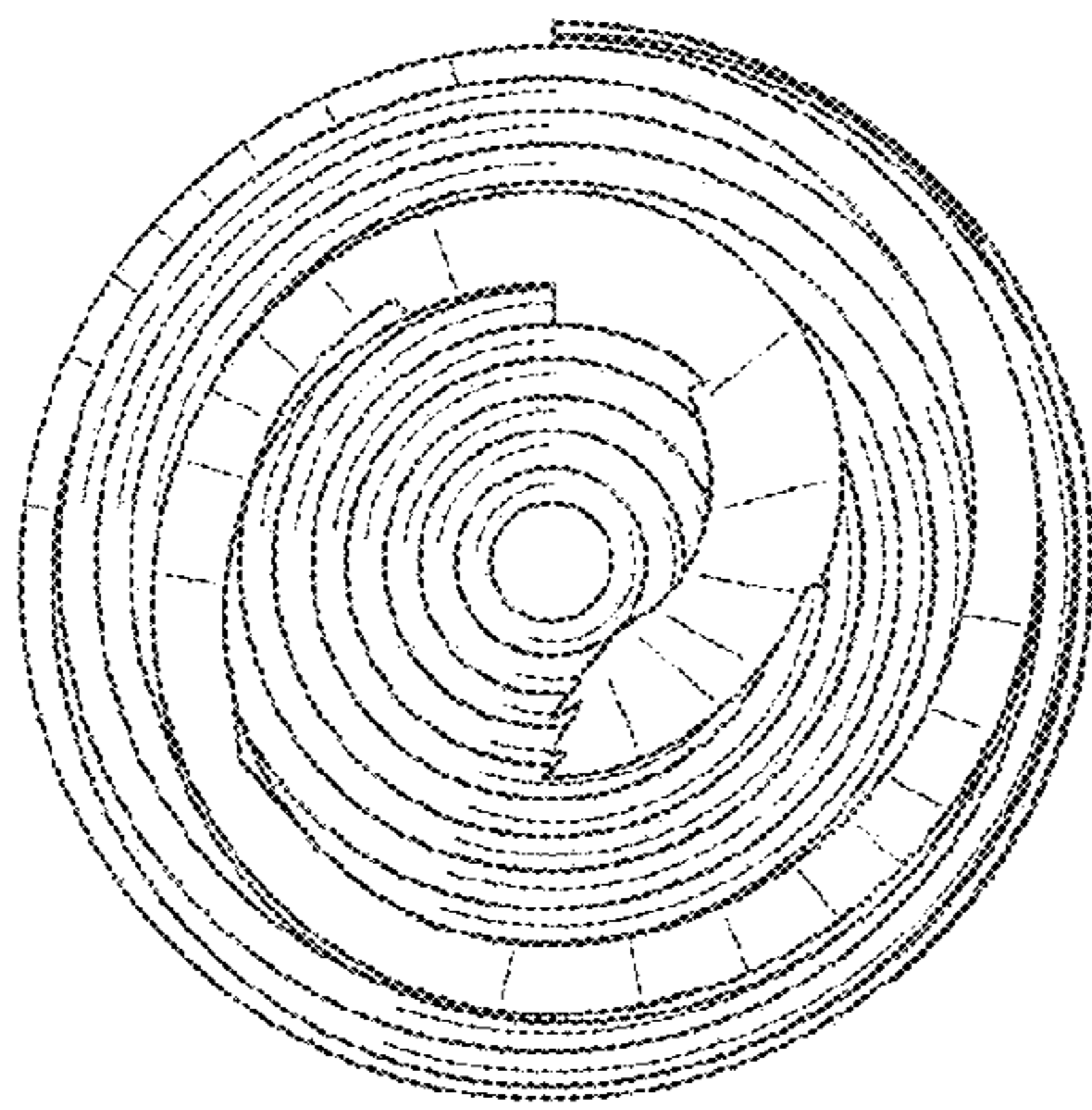


FIG. 11

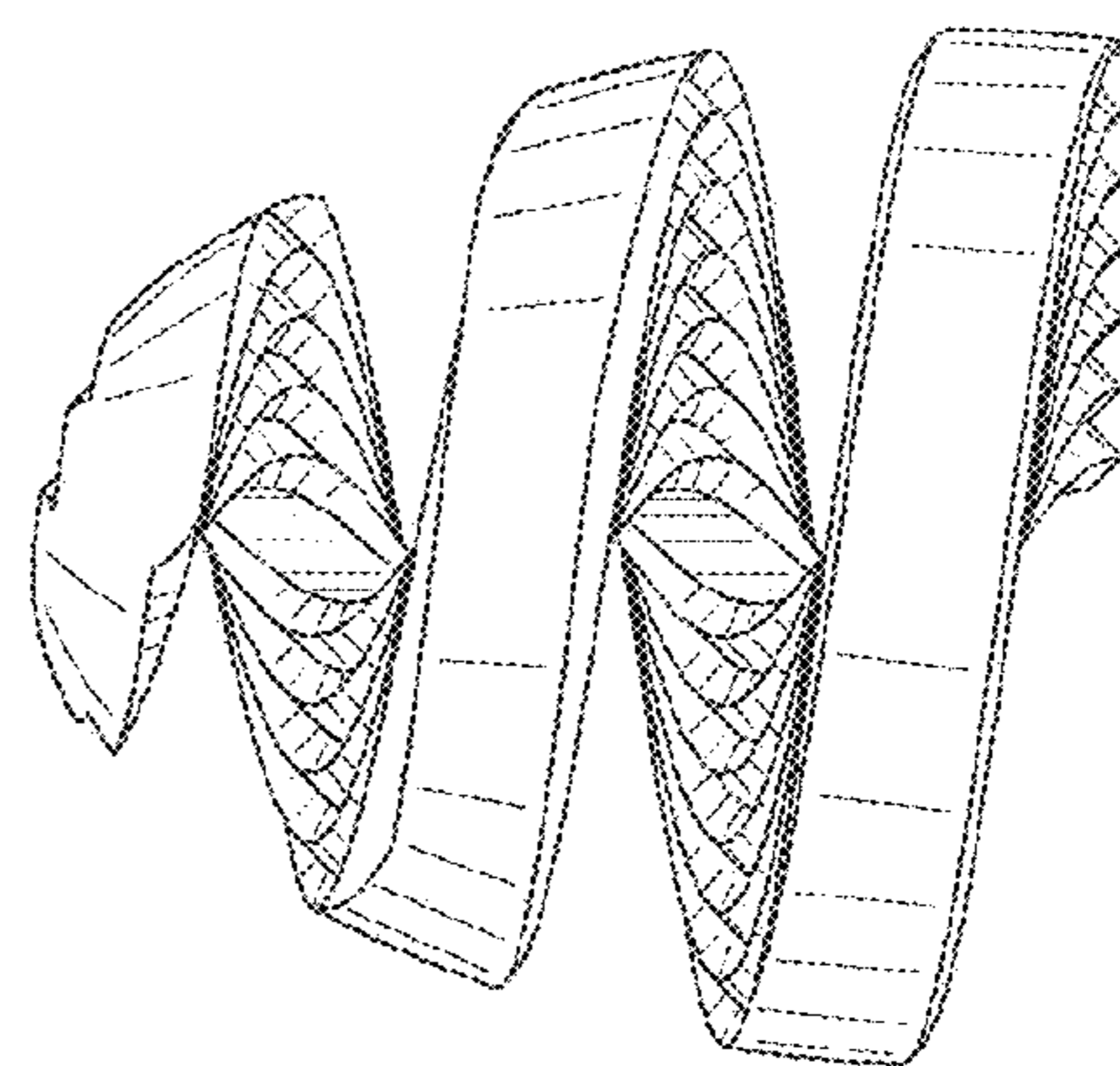


FIG. 12

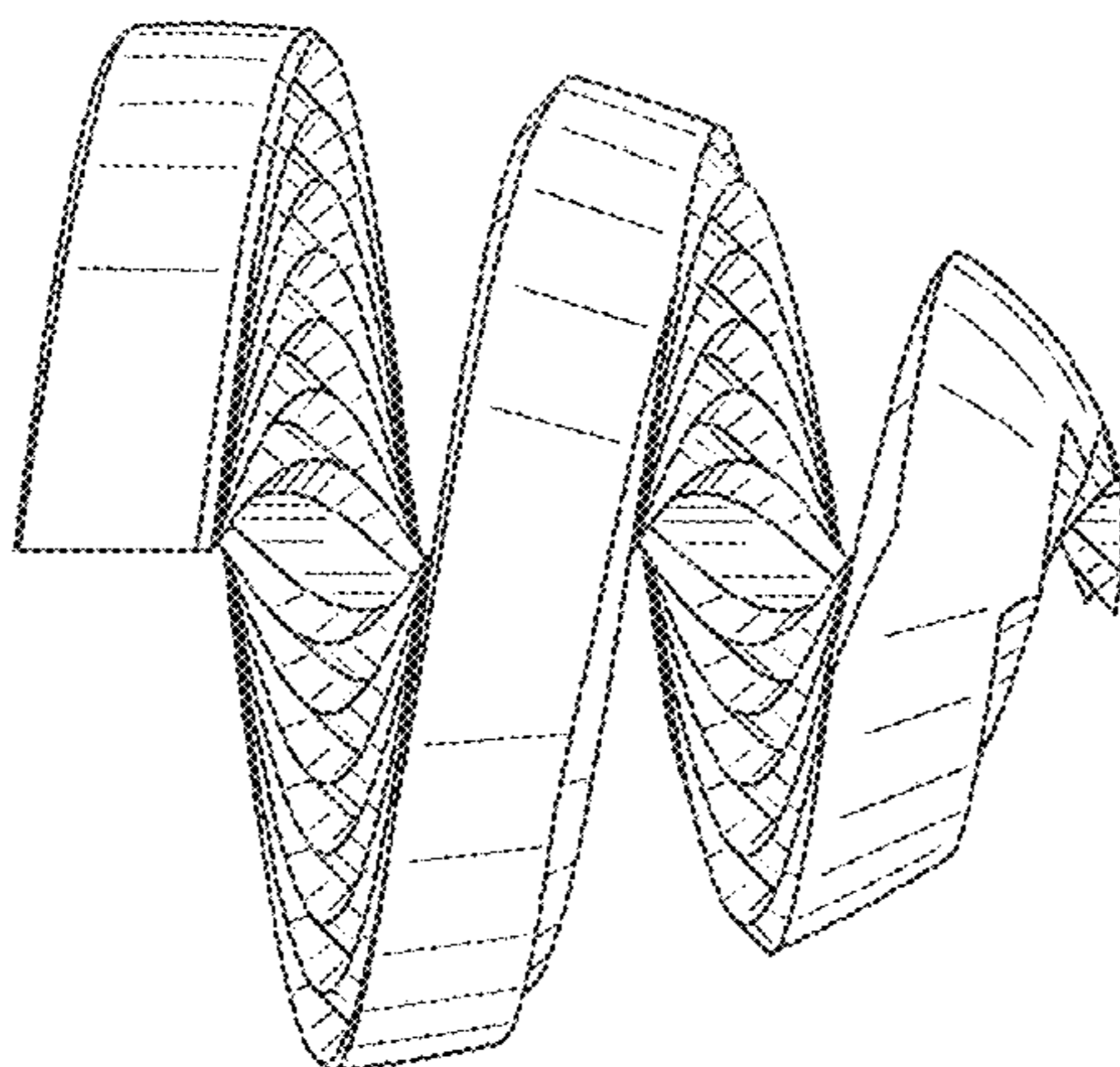


FIG. 13

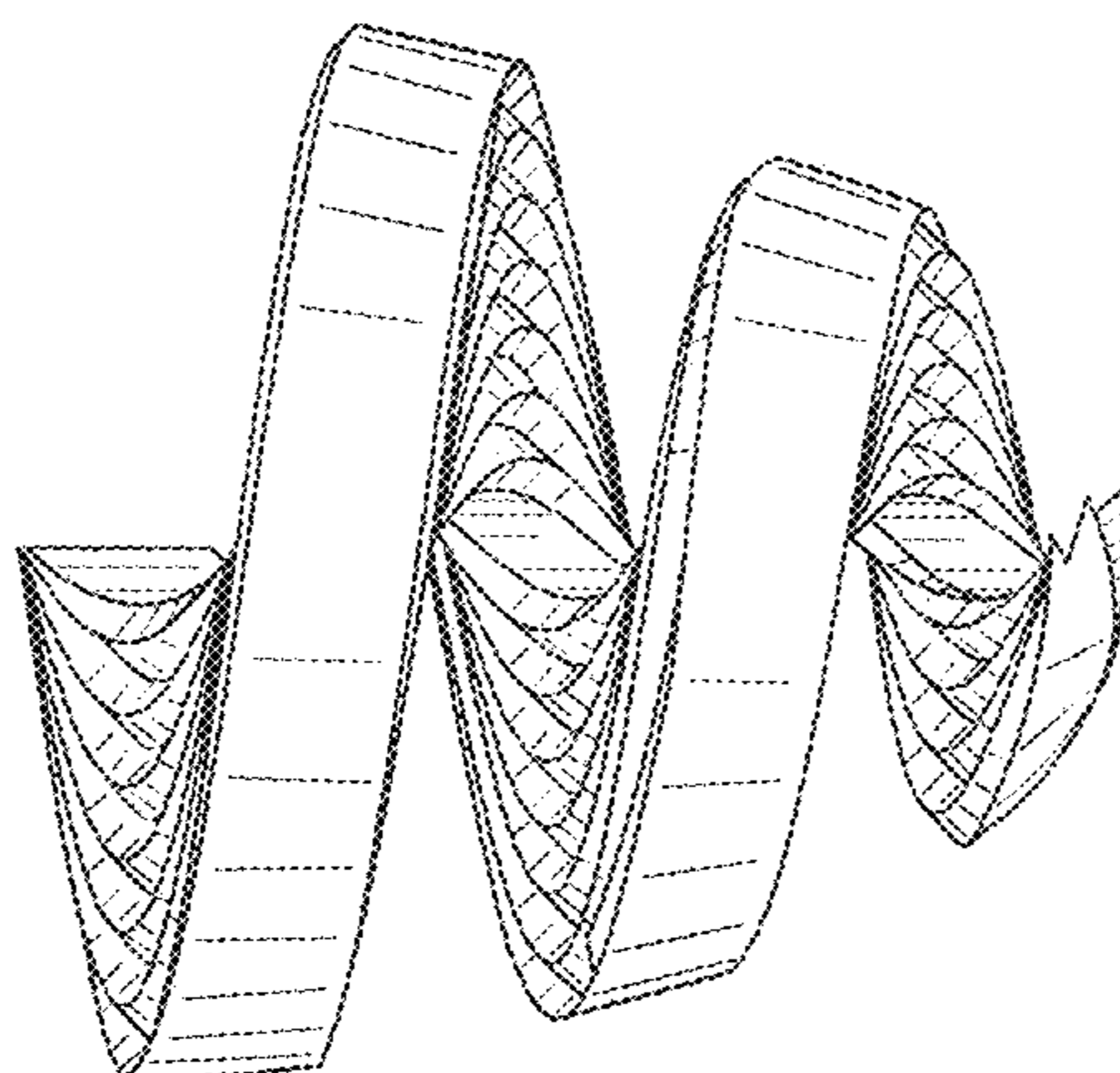


FIG. 14