



US00D748365S

(12) **United States Design Patent**
Nelson

(10) **Patent No.:** **US D748,365 S**
(45) **Date of Patent:** **** Jan. 26, 2016**

(54) **ENTIRE LOCK BOX WITH 3D FRONT PANEL**

(71) Applicant: **Safemark Systems, LP**, Orlando, FL
(US)

(72) Inventor: **Scott Nelson**, Apopka, FL (US)

(73) Assignee: **Safemark Systems, LP**, Orlando, FL
(US)

(**) Term: **14 Years**

(21) Appl. No.: **29/513,423**

(22) Filed: **Dec. 30, 2014**

(51) **LOC (10) Cl.** **99-00**

(52) **U.S. Cl.**
USPC **D99/28**

(58) **Field of Classification Search**

USPC D99/28, 34, 35, 36, 43, 99; 109/1 R, 1 V,
109/2, 45, 49.5, 52, 58, 59 R, 78; 206/0.8,
206/0.81, 0.815, 0.82, 317, 527; 902/9
CPC F42B 35/00; E05G 1/00; E05G 1/005;
E05G 1/02; E05G 1/024; E05G 1/026; E05G
1/04; E05G 1/10; E05G 1/14; E05G 1/003;
E05G 2700/00; E05G 2700/02; E05G
2700/04; G07D 11/0006; G07D 11/0009;
G07D 9/02; G07D 9/002; G07D 11/00;
G07D 9/06; G07F 9/06; A47B 63/065;
A45C 1/12; A45C 2001/125

See application file for complete search history.

(56) **References Cited**

U.S. PATENT DOCUMENTS

D393,526 S * 4/1998 Robey D3/281
D474,596 S * 5/2003 Osiecki D3/273
D485,041 S * 1/2004 Paris D99/28
D485,042 S * 1/2004 Paris D99/28
D485,419 S * 1/2004 Paris D99/28
D485,960 S * 1/2004 Paris D99/43
D488,910 S * 4/2004 Lynch D99/43
D495,113 S * 8/2004 Lynch D6/705.5
D498,895 S * 11/2004 Lynch D99/28

D503,255 S * 3/2005 Lynch D6/705.5
D509,688 S * 9/2005 Lynch D6/705.5
D541,045 S * 4/2007 Peart D3/291
D542,529 S * 5/2007 Peart D3/276
D558,977 S * 1/2008 Peart D3/294
D561,994 S * 2/2008 Peart D3/291
D617,974 S * 6/2010 Alfeld, Sr. D99/28
D624,275 S * 9/2010 Min D99/28
D635,324 S * 3/2011 Plato D99/28
7,918,362 B2 * 4/2011 Schmitt B65D 55/145
220/324
D645,224 S * 9/2011 Hunt D99/43
D654,655 S * 2/2012 Hunt D99/43
D664,325 S * 7/2012 Hunt D99/43
D671,705 S * 11/2012 Edmondson D99/28
D688,024 S * 8/2013 Metlen D99/28
D715,015 S * 10/2014 Measom D99/43
D719,344 S * 12/2014 Miller D3/203.1
D724,814 S * 3/2015 Scheib D99/34
D732,264 S * 6/2015 Hine D99/28
D732,265 S * 6/2015 Osiecki D99/28
2008/0196637 A1 * 8/2008 Howell E05G 1/005
109/38

* cited by examiner

Primary Examiner — Elizabeth J Oswecki
(74) *Attorney, Agent, or Firm* — Dentons

(57) **CLAIM**

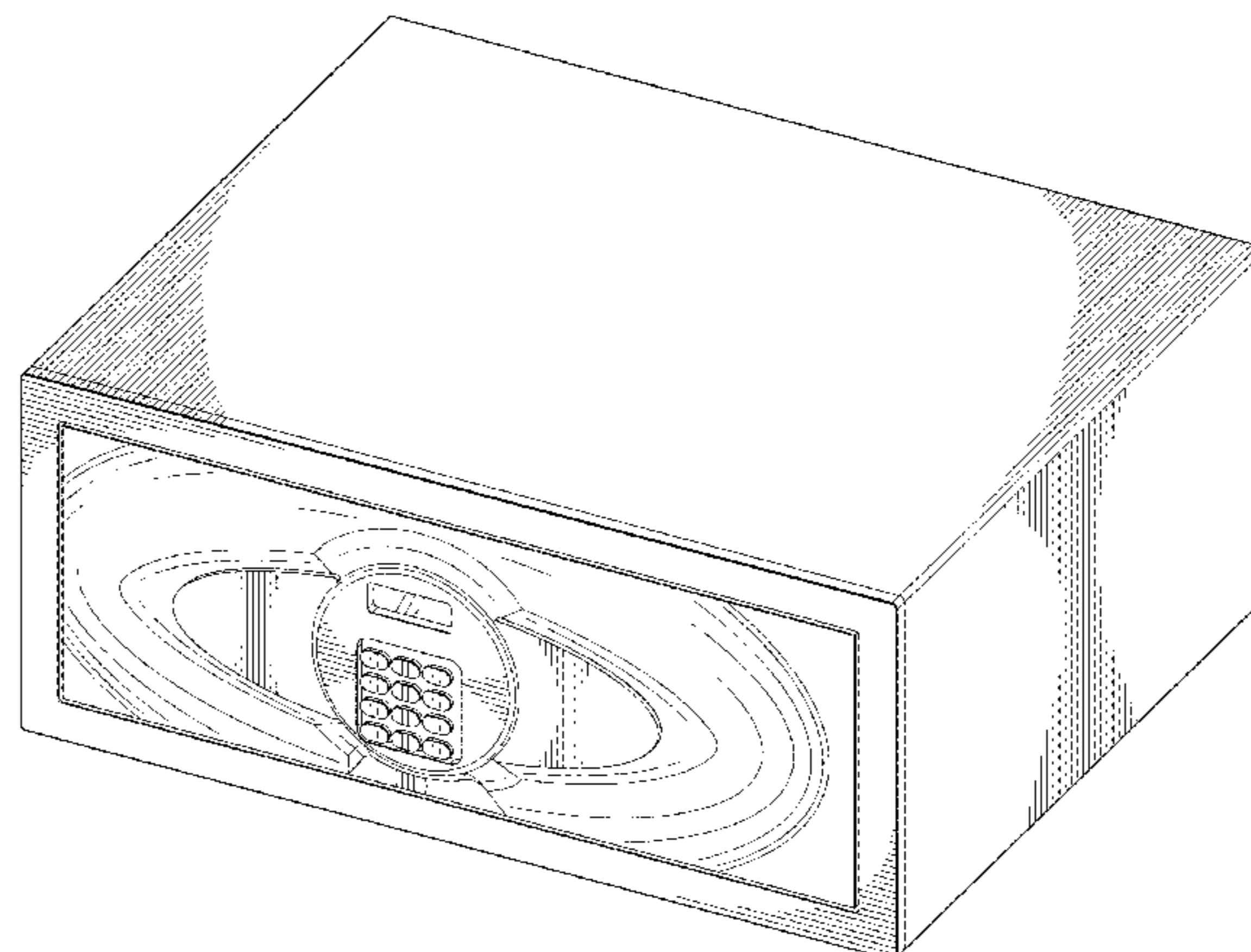
The ornamental design for an entire lock box with 3D front panel, as shown and described.

DESCRIPTION

FIG. 1 is a perspective view of an entire lock box with 3D front panel showing my new design;
FIG. 2 is a front view thereof;
FIG. 3 is a rear view thereof;
FIG. 4 is a left side view thereof;
FIG. 5 is a right side view thereof;
FIG. 6 is a top view thereof; and,
FIG. 7 is a bottom view thereof.

The broken lines shown in the drawings represent portions of the entire lock box with 3D front panel that form no part of the claimed design.

1 Claim, 5 Drawing Sheets



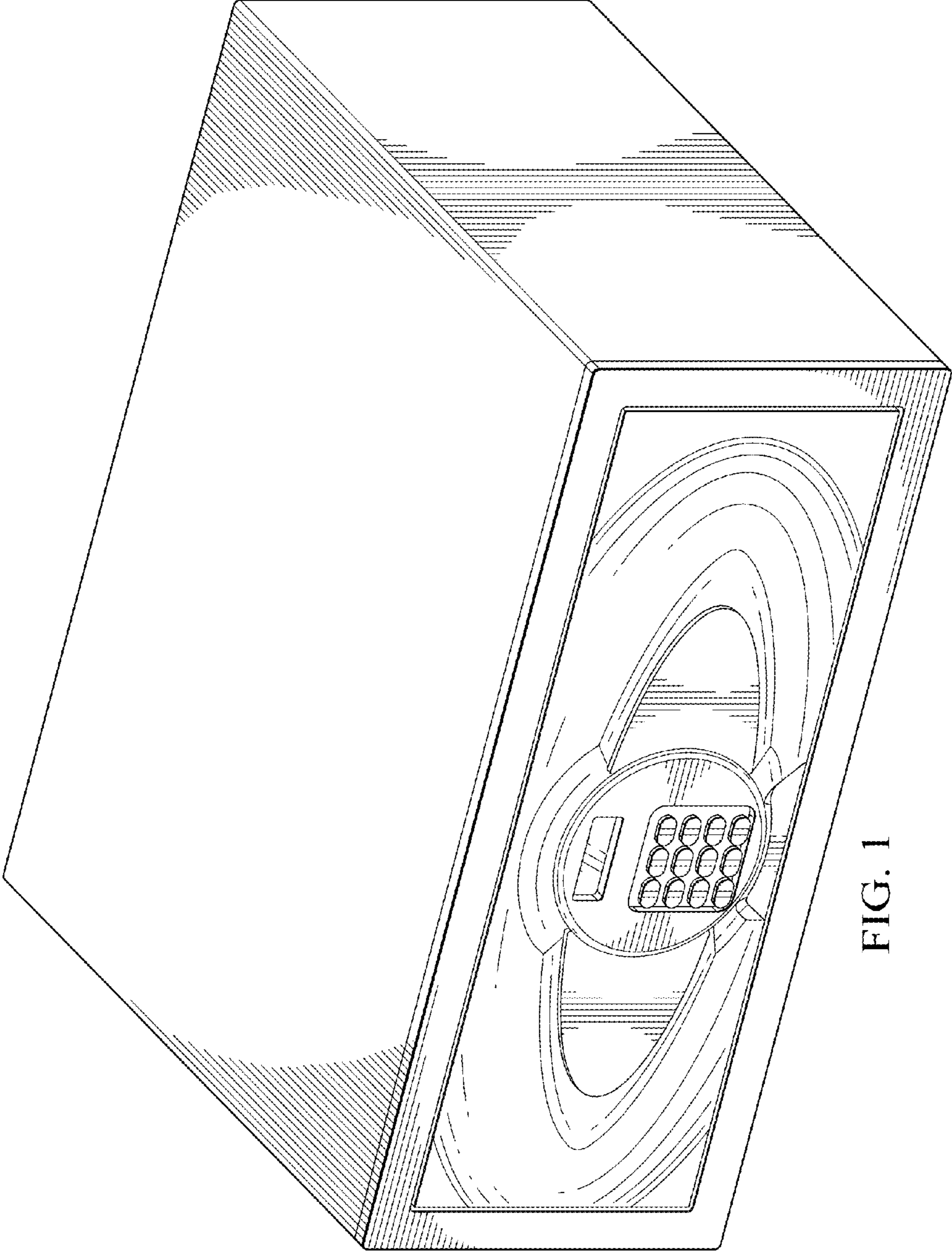


FIG. 1

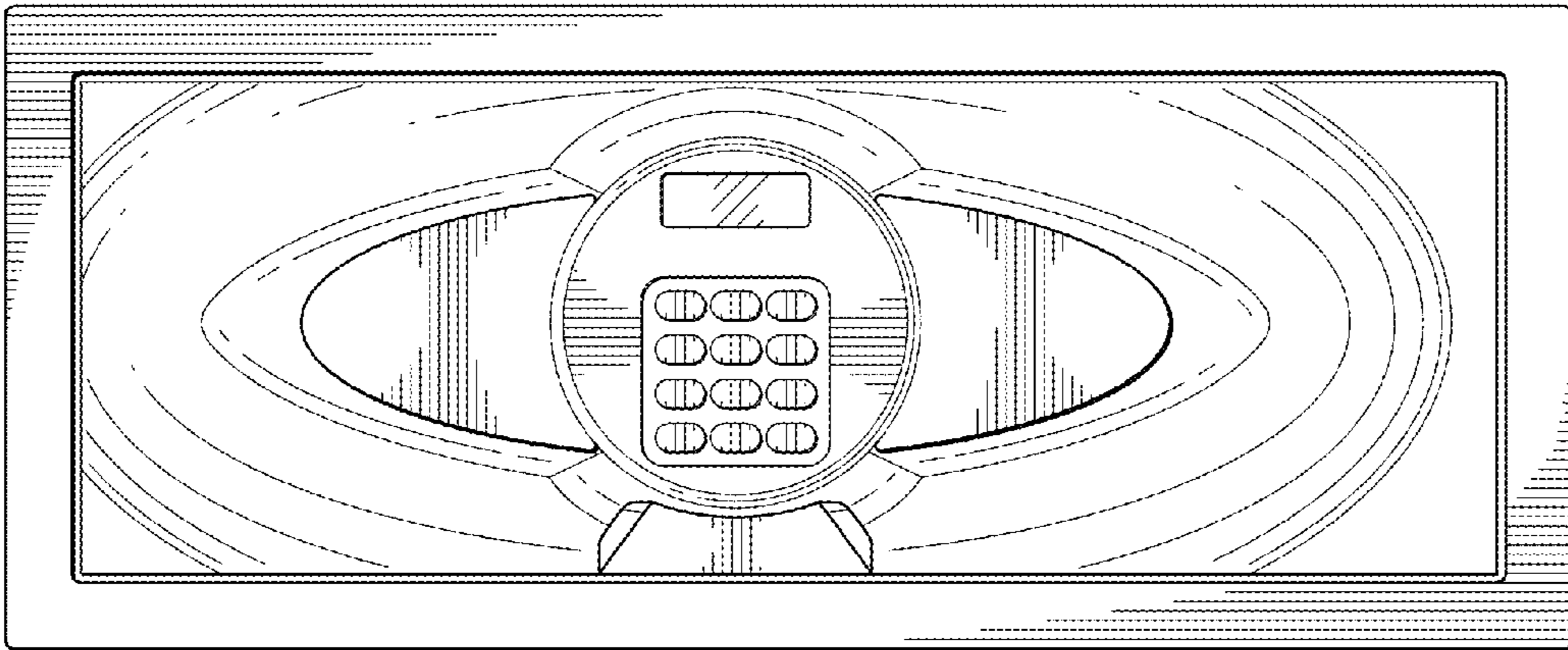


FIG. 2

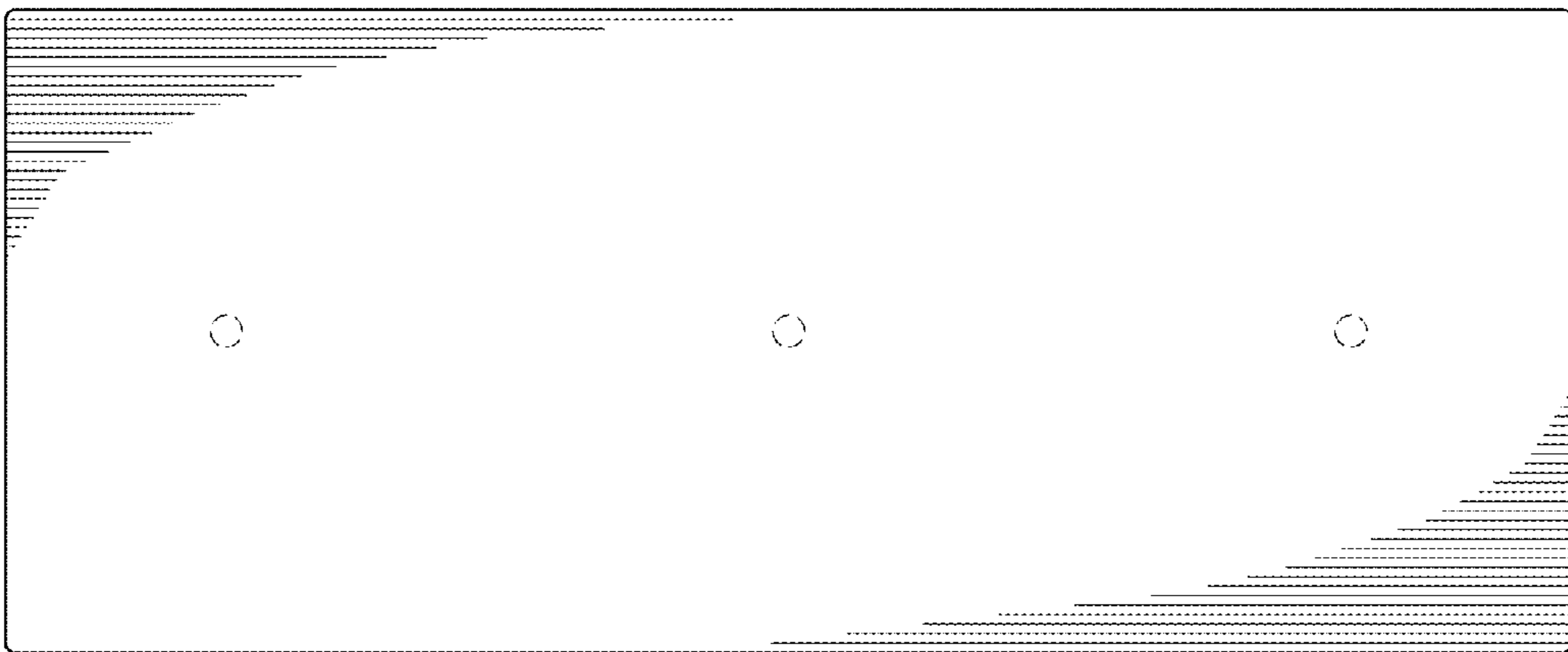


FIG. 3

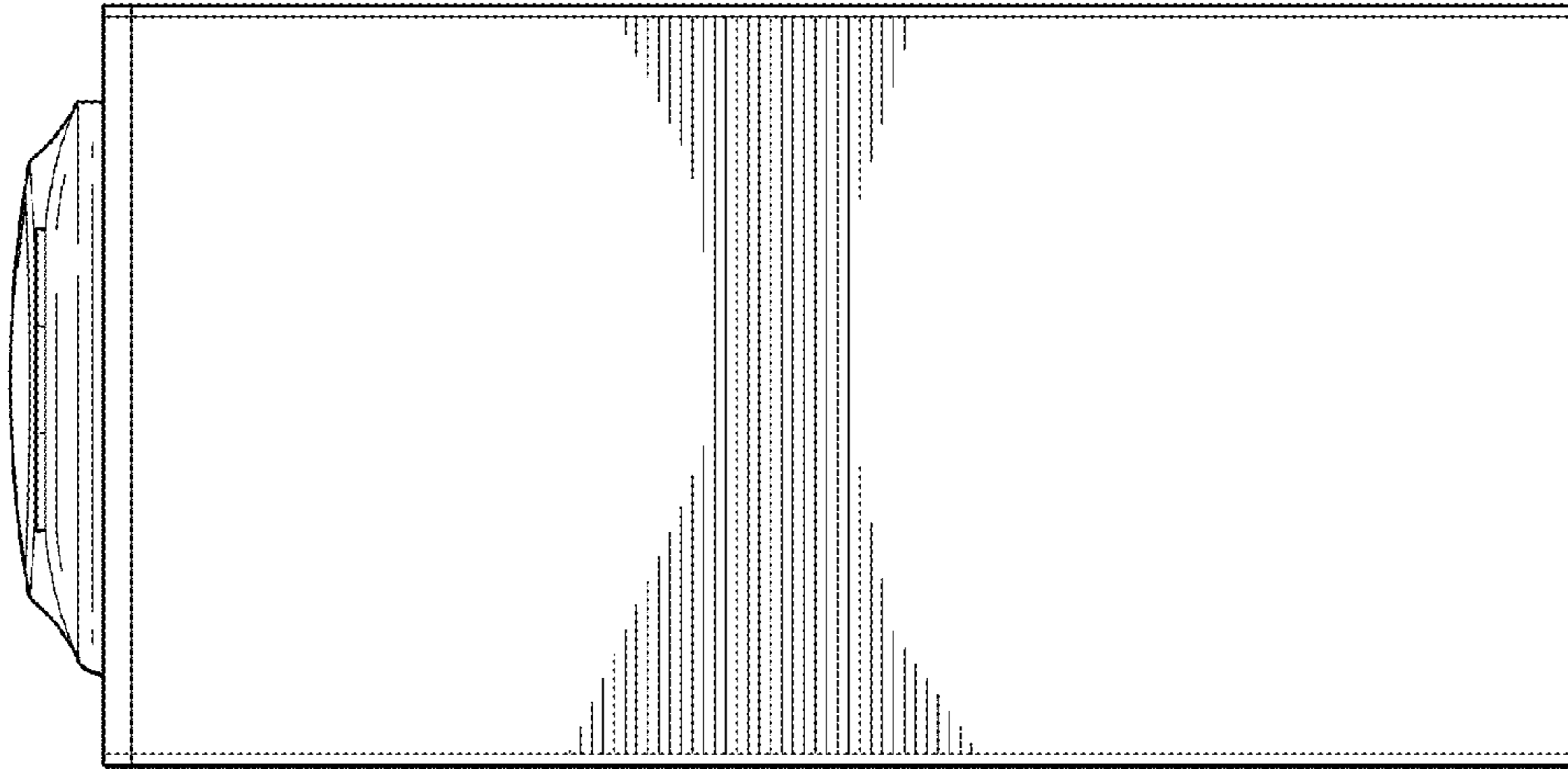


FIG. 4

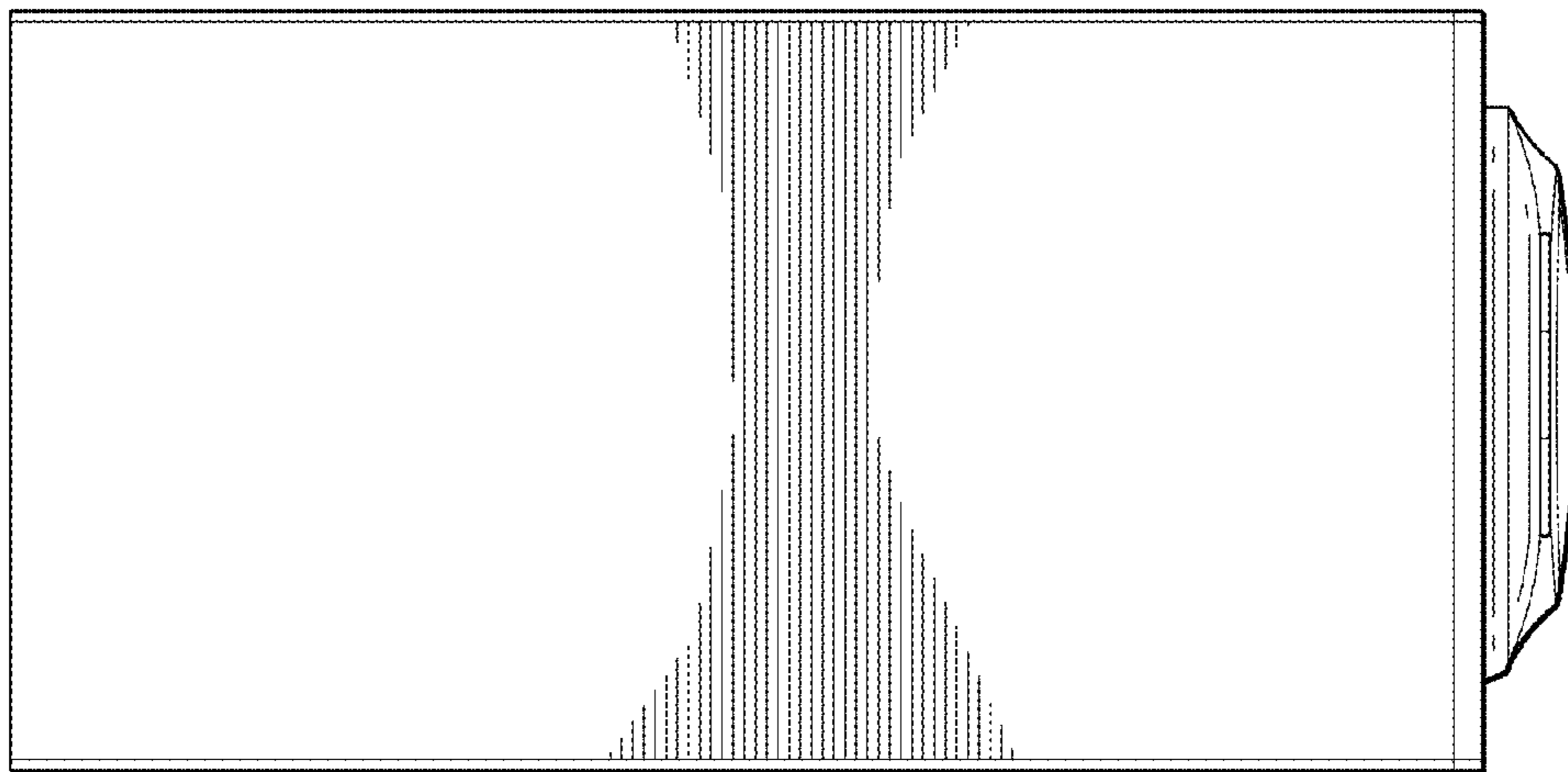


FIG. 5

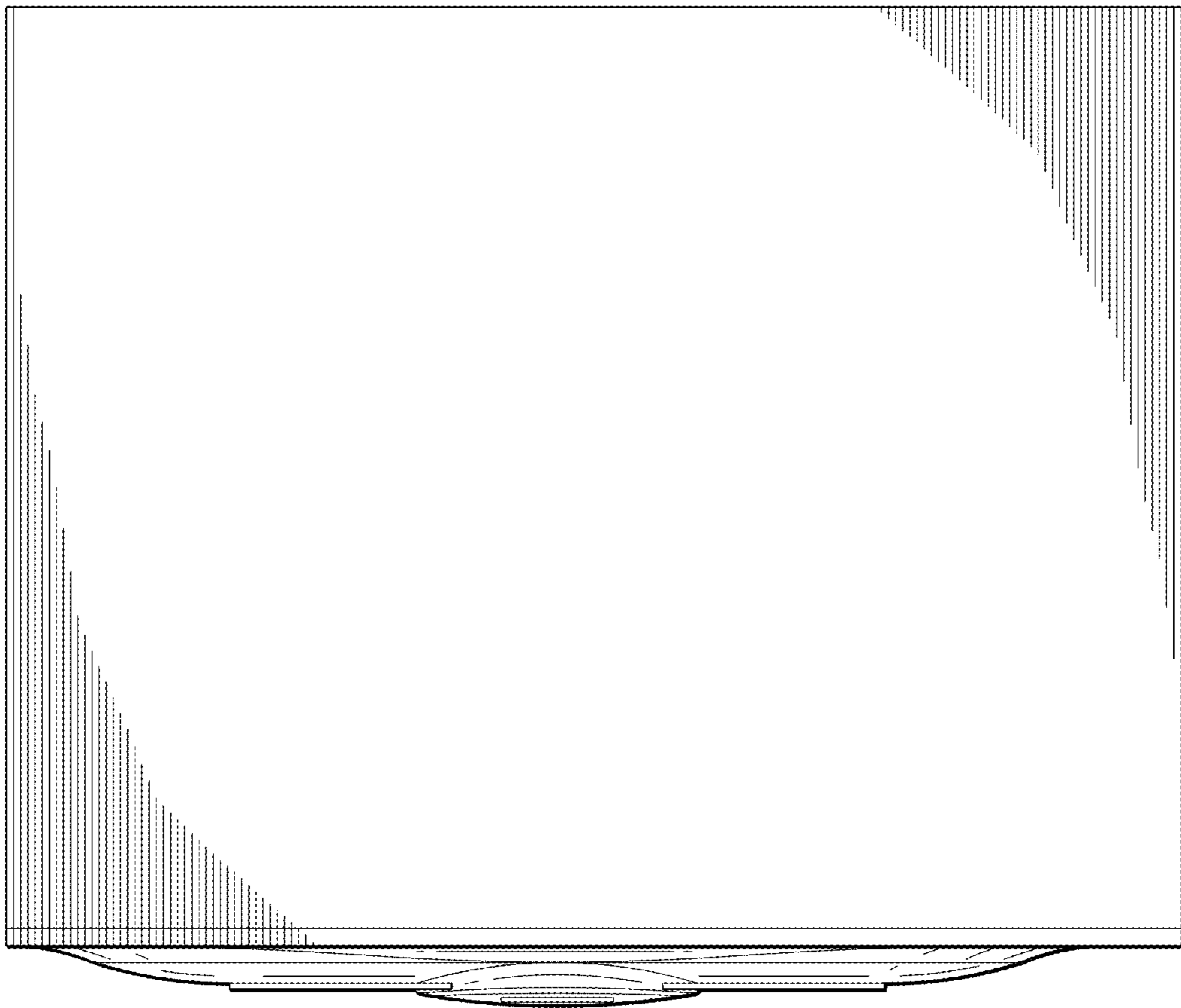


FIG. 6

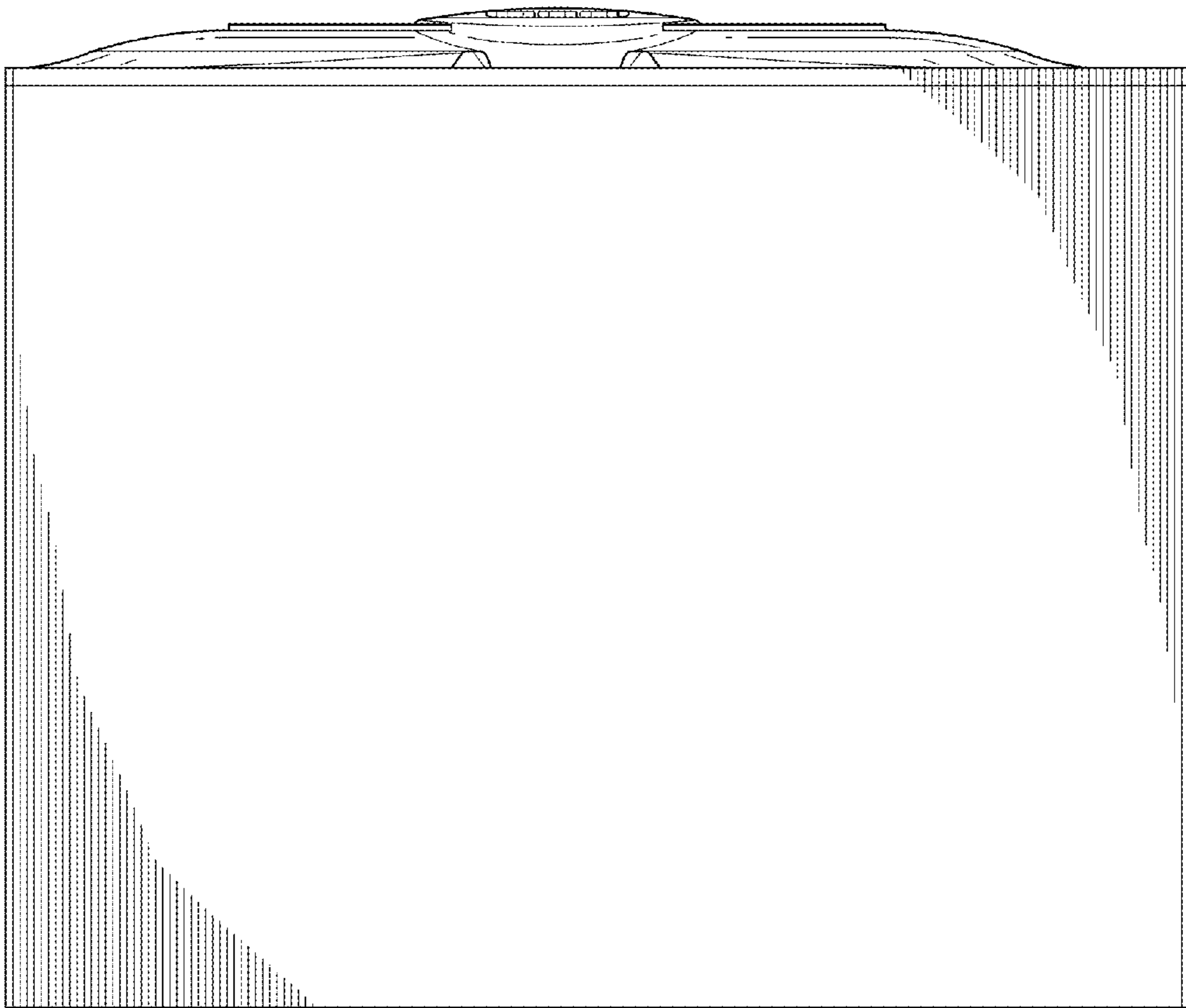


FIG. 7