



US00D748364S

(12) **United States Design Patent**  
**King et al.**

(10) **Patent No.:** **US D748,364 S**  
(45) **Date of Patent:** **\*\* Jan. 26, 2016**

- (54) **MULTISPACE PARKING PAY STATION**
- (71) Applicant: **IPS Group, Inc.**, San Diego, CA (US)
- (72) Inventors: **David William King**, Rancho Santa Fe, CA (US); **Murray David Kirby Hunter**, Birchgrove (AU); **David Andrew Jones**, Beecroft (AU); **Choor Hong Tan**, Wentworth Point (AU)
- (73) Assignee: **IPS GROUP INC.**, San Diego, CA (US)
- (\*\*) Term: **14 Years**

6,275,169	B1	8/2001	Krygler et al.	
D448,910	S	10/2001	Kit	
D450,253	S	11/2001	Marguet	
D454,421	S	3/2002	Jeon	
D460,005	S	7/2002	Jacquet	
6,505,774	B1	1/2003	Fulcher et al.	
D472,362	S	3/2003	Zerman et al.	
D481,516	S	10/2003	Magee	
D485,417	S	1/2004	Magee	
D488,280	S	4/2004	Zerman et al.	D99/28
D492,080	S	6/2004	Magee et al.	D99/28
D492,081	S	6/2004	Magee et al.	D99/28
D494,730	S	8/2004	Magee	
D497,814	S	11/2004	Odinotsky et al.	

(Continued)

- (21) Appl. No.: **29/477,321**
- (22) Filed: **Dec. 20, 2013**
- (51) **LOC (10) Cl.** ..... **99-00**
- (52) **U.S. Cl.**  
USPC ..... **D99/28**
- (58) **Field of Classification Search**  
USPC ..... D99/28, 34, 35, 36, 43, 99;  
D14/300-302, 305, 307, 900-902;  
D18/3.1-3.3, 4.1-4.6, 12.1-12.3;  
D21/324, 325, 329, 369, 370; 101/66;  
109/1 R, 1 V, 2, 23, 24.1, 25, 58, 58.5,  
109/66; 446/8-13; 705/16, 17, 18, 42, 43,  
705/44, 45; 235/51, 379, 380, 382  
See application file for complete search history.

**OTHER PUBLICATIONS**

U.S. Appl. No. 29/466,268, filed Sep. 5, 2013, Randall et al.  
(Continued)

*Primary Examiner* — Elizabeth J Oswecki  
(74) *Attorney, Agent, or Firm* — Wilson Sonsini Goodrich & Rosati

(57) **CLAIM**  
The ornamental design for a multispace parking pay station, as shown and described.

**DESCRIPTION**

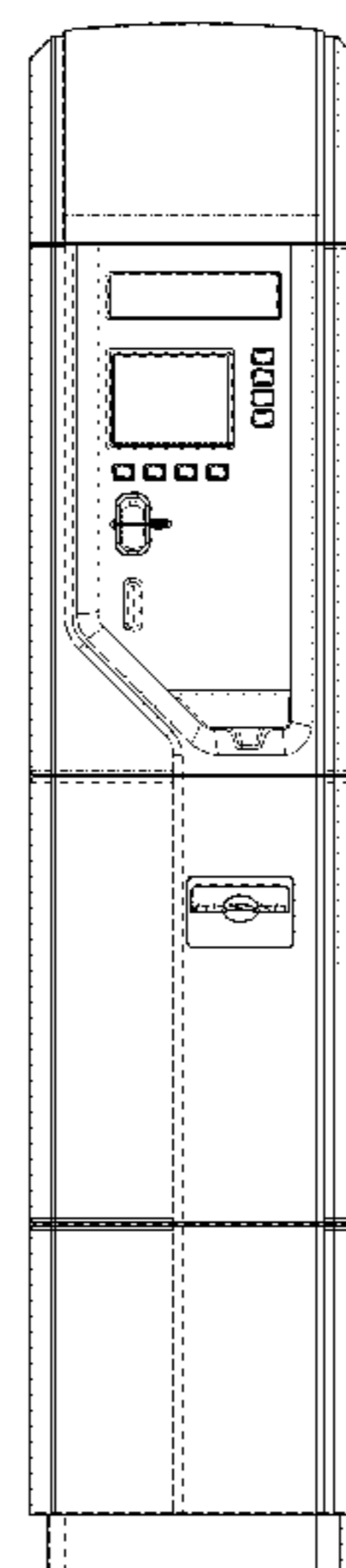
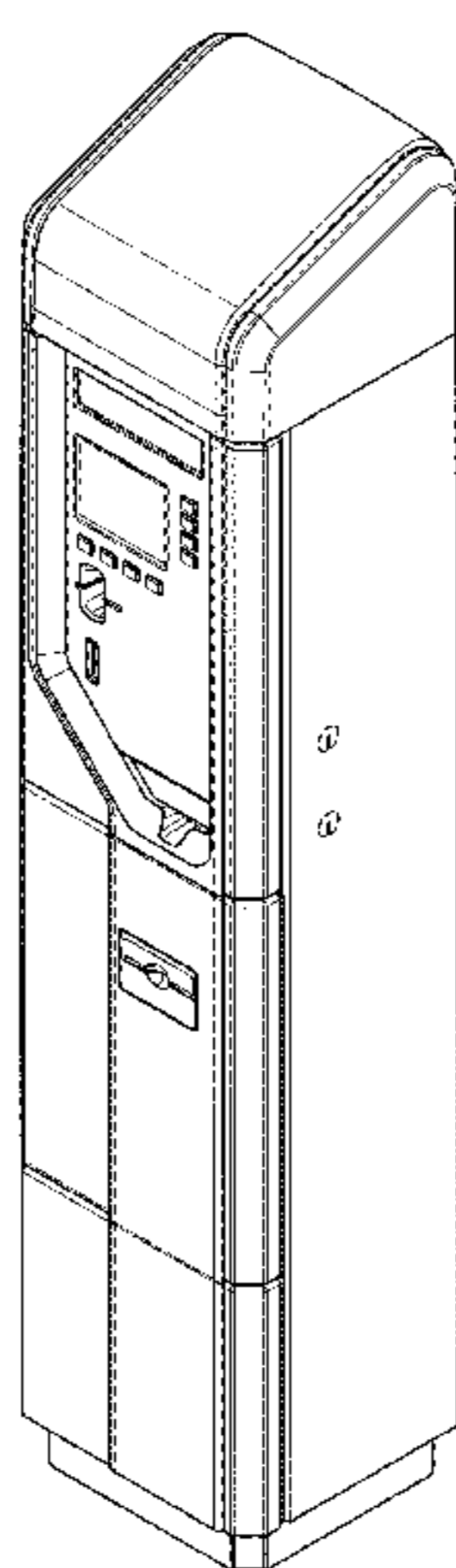
FIG. 1 is a top front perspective view of a multispace parking pay station, showing my new design; FIG. 2 is a front elevational view thereof; FIG. 3 is a back elevational view thereof; FIG. 4 is a left side elevational view thereof; FIG. 5 is a right side elevational view thereof; FIG. 6 is a top plan view thereof; and, FIG. 7 is a bottom plan view thereof. The broken lines shown in the drawings represent portions of the multispace parking pay station that form no part of the claimed design.

**1 Claim, 7 Drawing Sheets**

(56) **References Cited**

**U.S. PATENT DOCUMENTS**

D278,689	S	5/1985	Carlen	
5,065,156	A	11/1991	Bernier	
D336,860	S	6/1993	Clough	
D342,209	S	12/1993	Clough	
D360,734	S	7/1995	Hall	D99/28
D375,607	S	11/1996	Hall	
D396,655	S	8/1998	Anderson	
D412,289	S	7/1999	Winwood	
D431,788	S	10/2000	Tuxen et al.	
6,230,868	B1	5/2001	Tuxen et al.	



(56)

References Cited

U.S. PATENT DOCUMENTS

D505,240 S \* 5/2005 Swaine et al. .... D99/28  
 D510,751 S 10/2005 Magee et al.  
 7,004,385 B1 \* 2/2006 Douglass ..... 235/379  
 7,019,670 B2 3/2006 Bahar  
 7,028,888 B2 4/2006 Laskowski et al.  
 7,040,534 B2 5/2006 Turocy et al.  
 D538,505 S \* 3/2007 Kang et al. .... D99/28  
 7,222,782 B2 5/2007 Lute, Jr. et al.  
 7,284,692 B1 10/2007 Douglass  
 D570,920 S 6/2008 Choi  
 7,419,091 B1 \* 9/2008 Scanlon ..... 235/379  
 D579,795 S 11/2008 Martinez et al.  
 7,445,144 B2 11/2008 Schlabach et al.  
 D582,125 S \* 12/2008 Kang et al. .... D99/28  
 7,533,802 B1 \* 5/2009 McGinley et al. .... 235/379  
 D596,374 S \* 7/2009 Kang et al. .... D99/28  
 7,624,919 B2 \* 12/2009 Meek et al. .... 235/379  
 7,699,224 B2 4/2010 Molé  
 D625,305 S \* 10/2010 Bleck et al. .... D14/307  
 D632,740 S 2/2011 Adeline  
 D645,223 S \* 9/2011 Bleck et al. .... D99/28  
 D652,872 S 1/2012 Mougin et al.  
 D653,014 S 1/2012 Rohan  
 D653,420 S \* 1/2012 Rohan et al. .... D99/28  
 D653,421 S \* 1/2012 Rohan et al. .... D99/28  
 D653,424 S 1/2012 Rohan  
 D672,525 S \* 12/2012 Lee et al. .... D99/28  
 D674,985 S \* 1/2013 Lee ..... D99/28  
 D677,035 S \* 2/2013 Lee et al. .... D99/28  
 D680,156 S \* 4/2013 Hernandez et al. .... D18/4.4  
 D681,717 S \* 5/2013 Helgesson et al. .... D18/4.6  
 D684,745 S 6/2013 Reuter  
 D691,165 S 10/2013 Attoma  
 D693,983 S \* 11/2013 Budde et al. .... D99/28  
 D696,484 S \* 12/2013 Lee et al. .... D99/28  
 D696,485 S \* 12/2013 Lee et al. .... D99/28  
 D702,913 S \* 4/2014 Budde et al. .... D99/28  
 D702,914 S \* 4/2014 Budde et al. .... D99/28  
 D716,515 S \* 10/2014 Cha et al. .... D99/28  
 D722,740 S \* 2/2015 Budde et al. .... D99/28  
 D724,290 S 3/2015 Cha et al.

D724,811 S 3/2015 Reitingner  
 D724,812 S 3/2015 Cha et al.  
 D728,190 S 4/2015 Sheley  
 2004/0016796 A1 1/2004 Hanna et al.  
 2004/0243526 A1 12/2004 Krygler et al.  
 2004/0262379 A1 12/2004 Gomes et al.  
 2005/0029340 A1 2/2005 Ferraro  
 2006/0152385 A1 7/2006 Mandy  
 2007/0046651 A1 3/2007 Sinclair et al.  
 2007/0276724 A1 11/2007 Catt  
 2008/0257965 A1 10/2008 Klein et al.  
 2008/0265019 A1 10/2008 Artino et al.  
 2008/0296365 A1 12/2008 Schliebe  
 2009/0057398 A1 3/2009 Douglass et al.  
 2010/0161489 A1 6/2010 Goodall et al.  
 2010/0187300 A1 7/2010 Ramachandran et al.  
 2010/0241564 A1 9/2010 Miller et al.  
 2010/0243729 A1 9/2010 Russell et al.  
 2011/0133613 A1 6/2011 Descamps et al.  
 2012/0286036 A1 11/2012 Jones et al.

OTHER PUBLICATIONS

U.S. Appl. No. 29/466,269, filed Sep. 5, 2013, Randall et al.  
 U.S. Appl. No. 29/466,267, filed Sep. 5, 2013, Randall et al.  
 U.S. Appl. No. 29/477,176, filed Dec. 19, 2013, Randall et al.  
 U.S. Appl. No. 29/477,195, filed Dec. 19, 2013, Randall et al.  
 U.S. Appl. No. 29/477,196, filed Dec. 19, 2013, Randall et al.  
 U.S. Appl. No. 29/477,200, filed Dec. 19, 2013, Randall et al.  
 U.S. Appl. No. 29/477,201, filed Dec. 19, 2013, Randall et al.  
 U.S. Appl. No. 29/477,204, filed Dec. 19, 2013, Randall et al.  
 U.S. Appl. No. 29/477,324, filed Dec. 20, 2013, Randall et al.  
 U.S. Appl. No. 29/477,329, filed Dec. 20, 2013, Randall et al.  
 U.S. Appl. No. 29/477,339, filed Dec. 20, 2013, Randall et al.  
 U.S. Appl. No. 29/477,402, filed Dec. 20, 2013, Randall et al.  
 U.S. Appl. No. 29/477,405, filed Dec. 20, 2013, Randall et al.  
 U.S. Appl. No. 29/477,200 Office Action dated Apr. 9, 2015.  
 U.S. Appl. No. 29/477,201 Office Action dated Apr. 9, 2015.  
 U.S. Appl. No. 29/477,204 Office Action dated Apr. 9, 2015.  
 U.S. Appl. No. 29/477,402 Office Action dated Apr. 9, 2015.  
 U.S. Appl. No. 29/477,324 Office Action dated Apr. 23, 2015.  
 U.S. Appl. No. 29/477,176 Office Action dated May 4, 2015.

\* cited by examiner

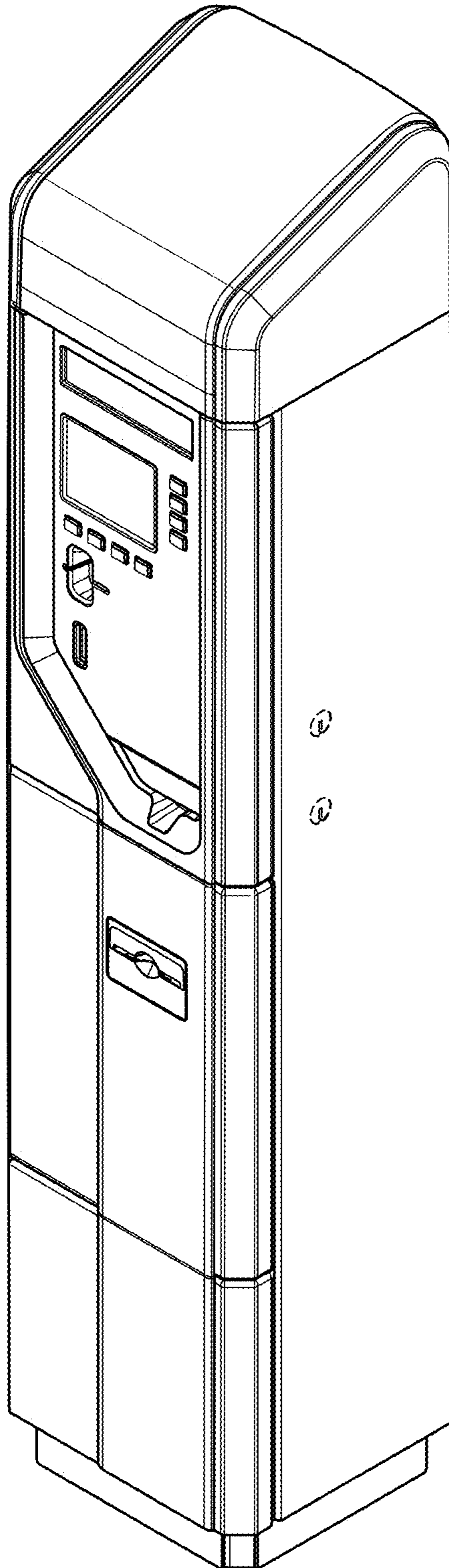


FIG. 1



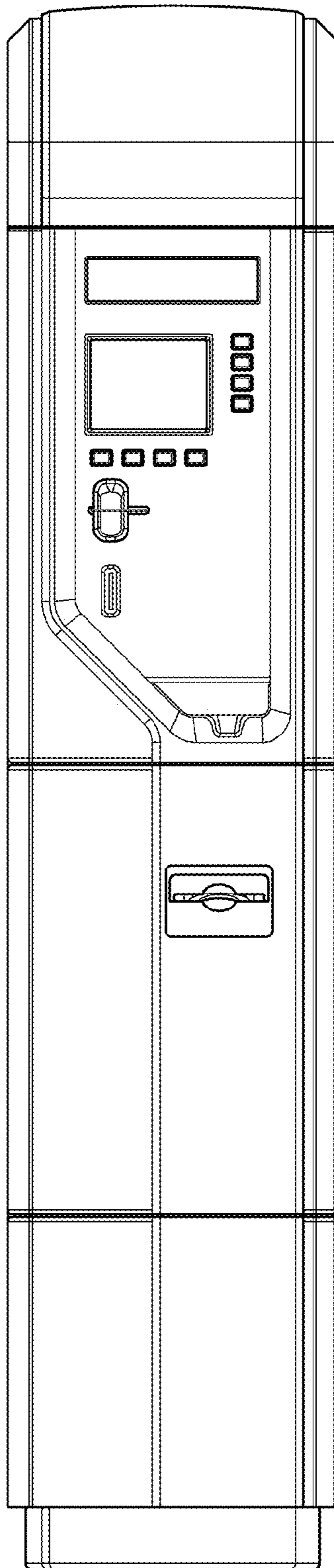


FIG. 2

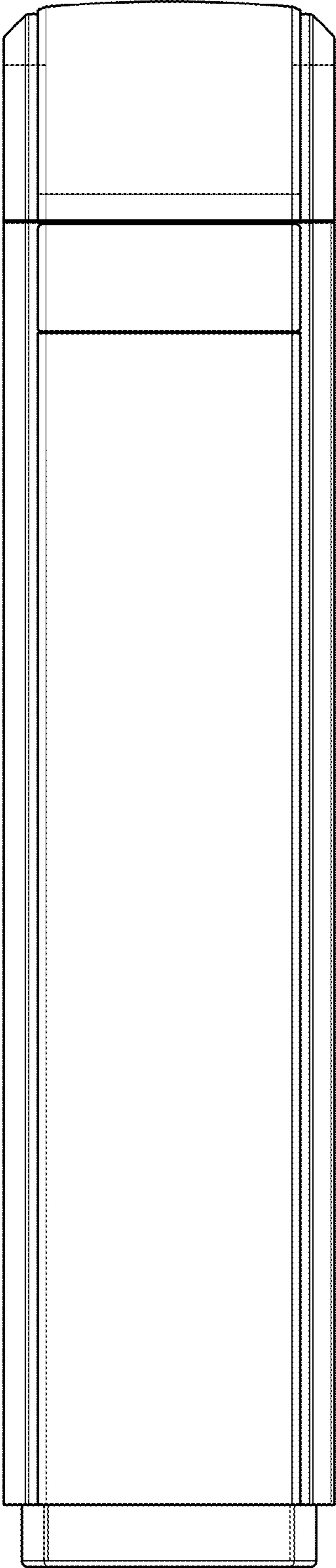


FIG. 3

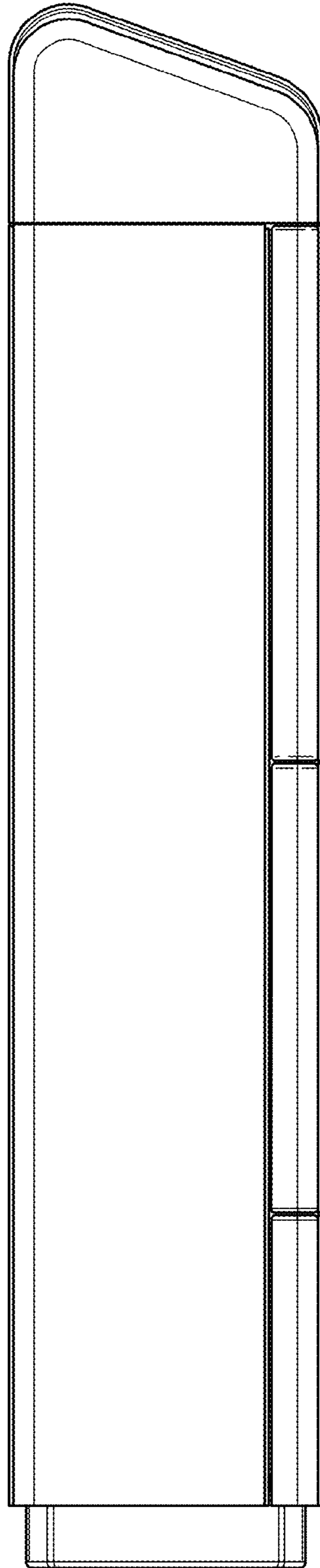


FIG. 4

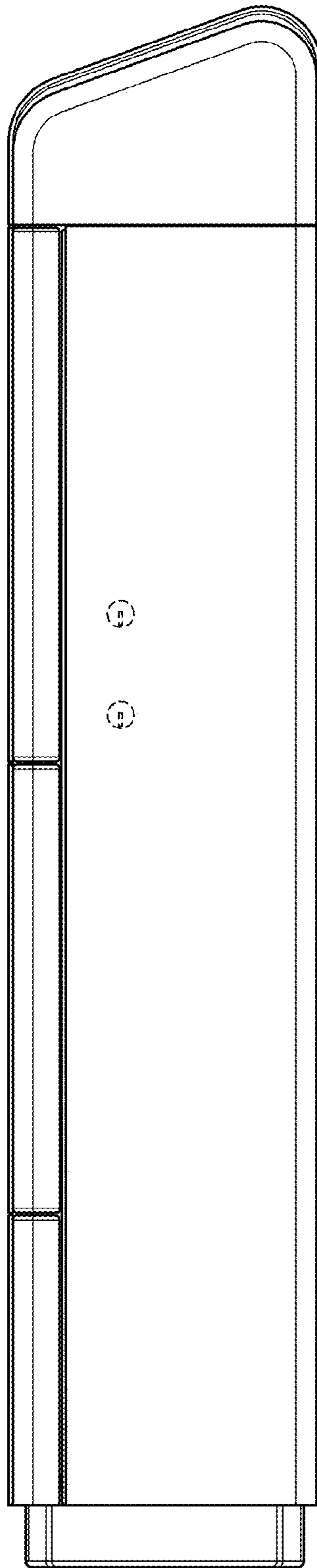


FIG. 5

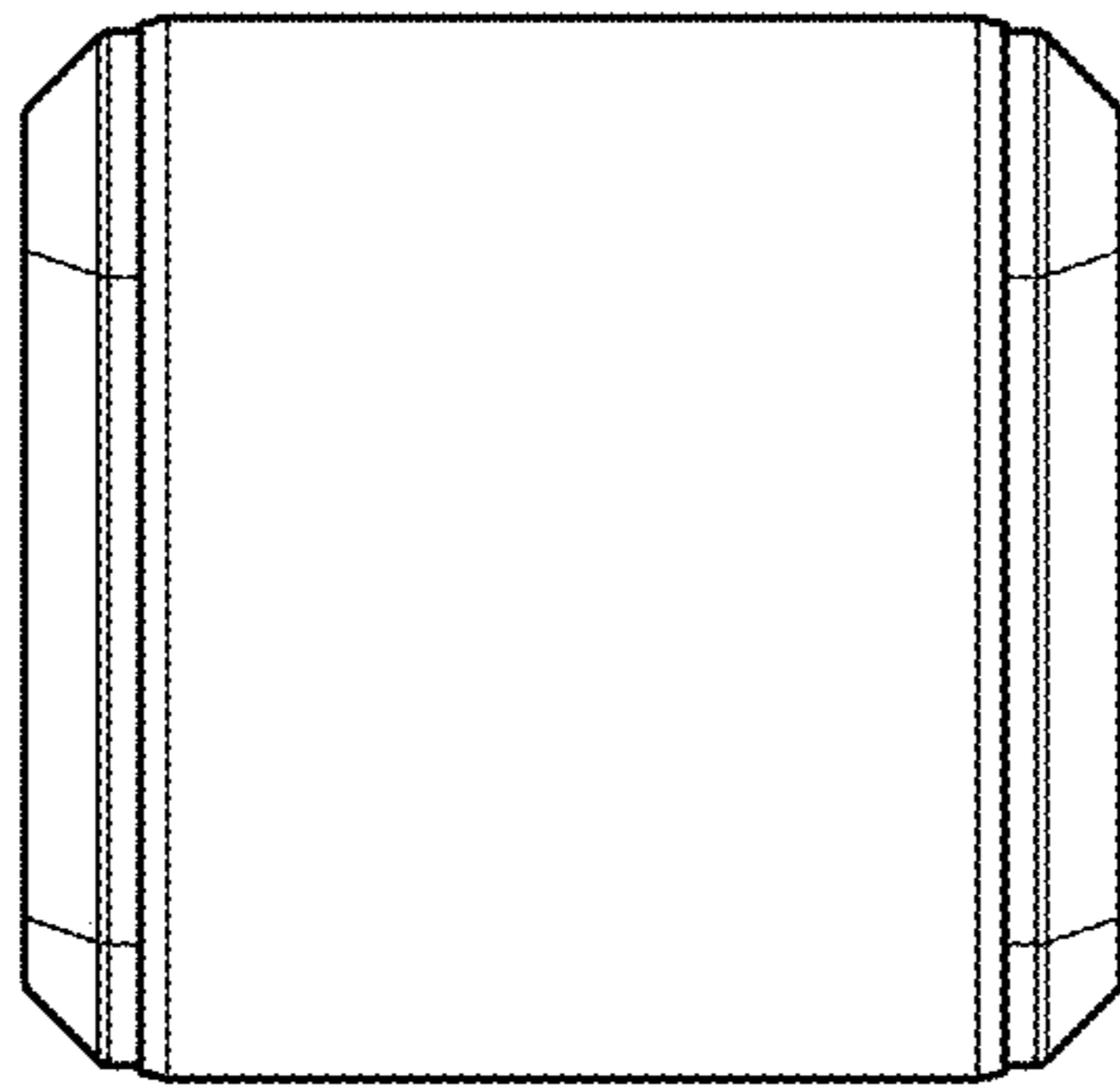


FIG. 6



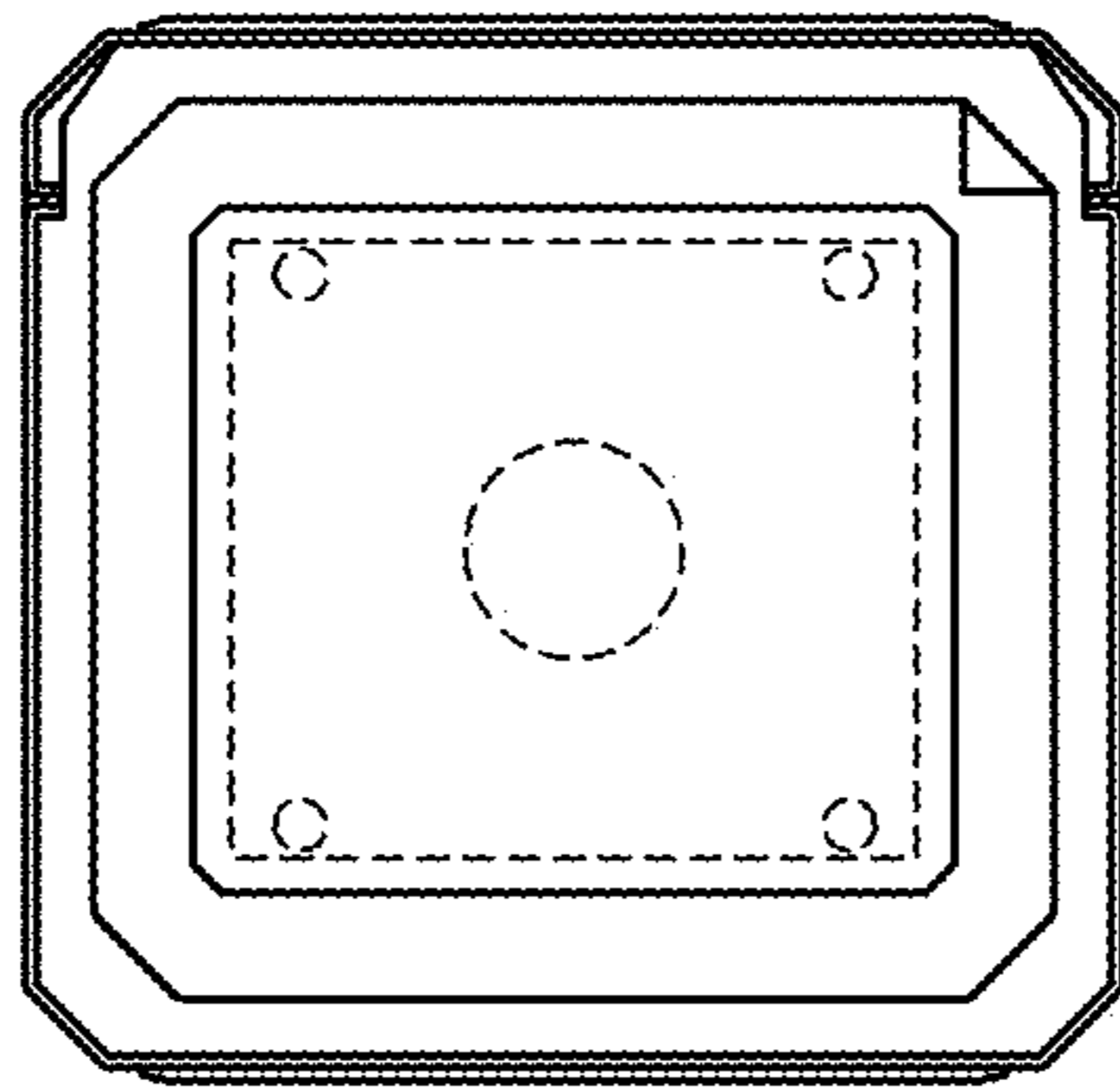


FIG. 7