



US00D748363S

(12) **United States Design Patent**
Hackett et al.

(10) **Patent No.:** **US D748,363 S**
(45) **Date of Patent:** **** Jan. 26, 2016**

(54) **HOUSING FOR A CREMATORY URN**

(71) Applicant: **COUNTY CEMETERY SERVICES LTD.**, Bushey, Hertfordshire (GB)

(72) Inventors: **Kavin Hackett**, Regal Close (GB);
Howard Grossman, Bushey (GB)

(73) Assignee: **County Cemetary Services Ltd.**,
Bushey, Hertfordshire (GB)

(**) Term: **14 Years**

(21) Appl. No.: **29/503,185**

(22) Filed: **Sep. 24, 2014**

(30) **Foreign Application Priority Data**

Mar. 26, 2014 (EP) 002433086-0001

(51) **LOC (10) Cl.** **99-00**

(52) **U.S. Cl.**
USPC **D99/5**

(58) **Field of Classification Search**
USPC D99/1, 5; D6/300, 302, 314, 559;
D9/418; 27/1; D11/132; 40/721, 722,
40/732, 737, 790, 781; 229/159, 131.1;
206/771; 428/14
CPC A61G 17/00
See application file for complete search history.

(56) **References Cited**

U.S. PATENT DOCUMENTS

953,053 A * 3/1910 McMullen E04H 13/003
40/124.5

1,605,429 A * 11/1926 Fisher G09F 13/04
362/812

1,782,120 A * 11/1930 Funke B65D 77/202
206/771

2,458,349 A * 1/1949 Cross A47G 1/06
40/772

2,672,274 A * 3/1954 Crane B65D 5/0254
206/773

3,274,721 A * 9/1966 Dreyer A47G 1/06
40/759

3,416,765 A * 12/1968 Ebner A47G 1/14
248/467

3,579,886 A * 5/1971 Hughes G09F 1/12
40/773

3,606,338 A * 9/1971 Cannata A63F 9/1044
156/249

3,645,025 A * 2/1972 Giesecke A47G 1/14
220/4.24

3,673,722 A * 7/1972 Robertson A47G 1/06
40/718

3,782,015 A * 1/1974 Esry G09F 1/12
40/737

3,811,214 A * 5/1974 Tate A47G 1/10
40/782

3,956,838 A * 5/1976 Gerrish A47G 1/0616
40/799

D243,490 S * 3/1977 Reusink D6/559

4,180,930 A * 1/1980 DiMatteo B44F 1/06
40/661

4,199,848 A * 4/1980 Kohnert A61G 17/08
27/1

4,356,650 A * 11/1982 Antonczyk B44C 5/02
40/782

D271,168 S * 11/1983 Antonczyk D6/300

4,761,903 A * 8/1988 Cantrell G09F 1/10
40/718

5,230,127 A * 7/1993 Zukowski A61G 17/08
220/327

(Continued)

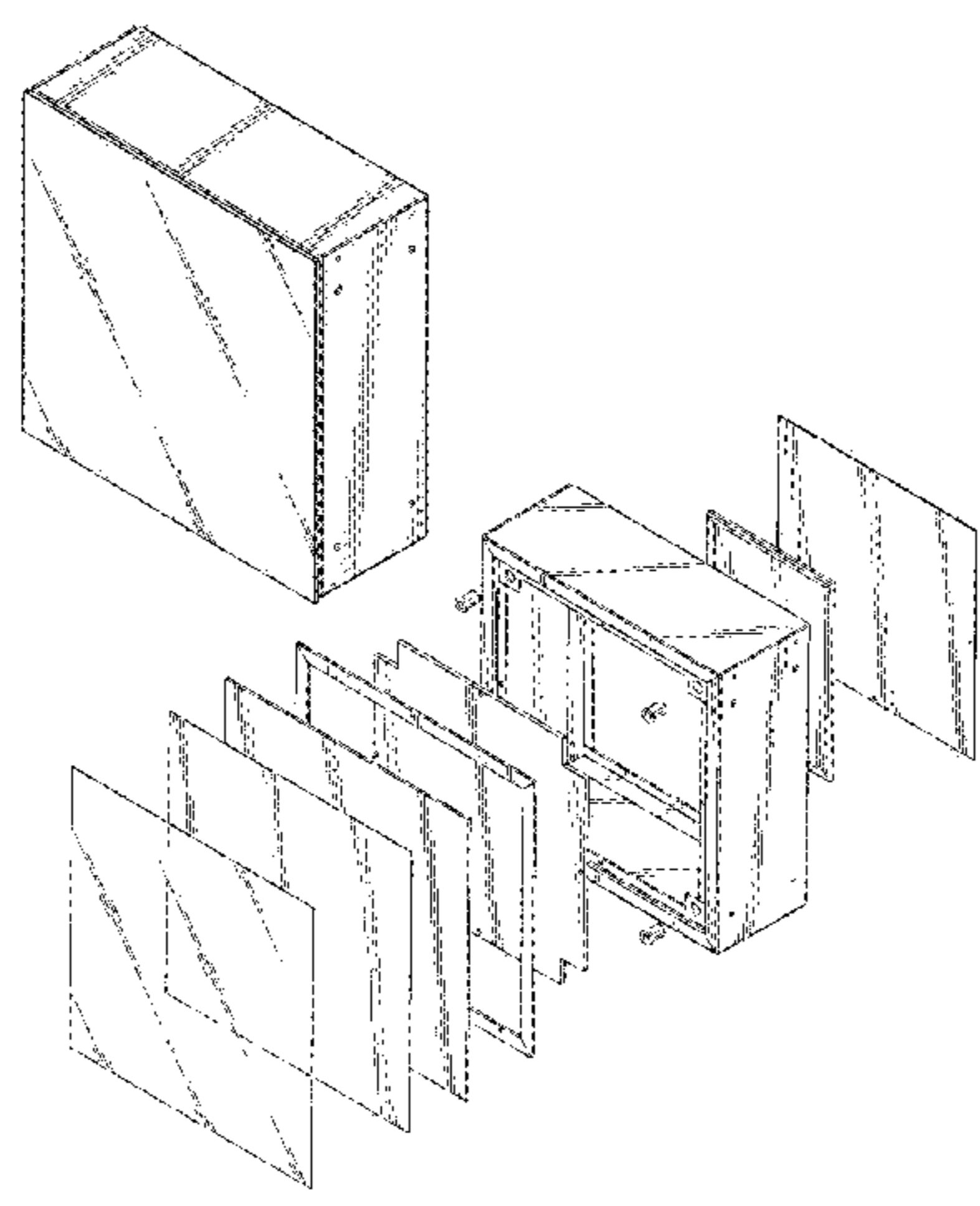
Primary Examiner — Paula Greene
(74) *Attorney, Agent, or Firm* — Stetina Brunda Garred & Brucker

(57) **CLAIM**
The ornamental design for a housing for a crematory urn, as shown and described.

DESCRIPTION

FIG. 1 is a perspective view of the housing for a crematory urn of the present invention showing our new design;
FIG. 2 is a top view thereof, the bottom view being the same;
FIG. 3 is a front view thereof;
FIG. 4 is a left side view thereof, the right side being the same;
FIG. 5 is a rear view thereof; and,
FIG. 6 is an exploded view thereof.

1 Claim, 4 Drawing Sheets



(56)

References Cited

U.S. PATENT DOCUMENTS

5,625,933	A *	5/1997	Neuberger	A61G 17/08	27/1
D389,323	S *	1/1998	Buchert	D6/300	
5,740,637	A *	4/1998	Snow	E04H 13/006	27/1
5,774,958	A *	7/1998	Casimir	A61G 17/08	27/1
5,822,895	A *	10/1998	Risdal	E04H 13/003	40/124.5
D406,467	S *	3/1999	Michael	D6/300	
5,950,288	A *	9/1999	Bach Lahor	A61G 17/08	27/1
D431,374	S *	10/2000	Glover	D6/300	
6,347,439	B1 *	2/2002	Bach Lahor	E04H 13/006	27/1
6,349,494	B1 *	2/2002	Haggarty-Robbins	...	G09F 1/12	312/319.1
D492,079	S *	6/2004	Feltman	D99/5	
7,437,846	B2 *	10/2008	Franco	A47G 1/065	206/449
7,476,436	B2 *	1/2009	Armstrong	B32B 3/02	156/322
8,196,275	B2 *	6/2012	Wessel	A47G 1/12	27/10

* cited by examiner

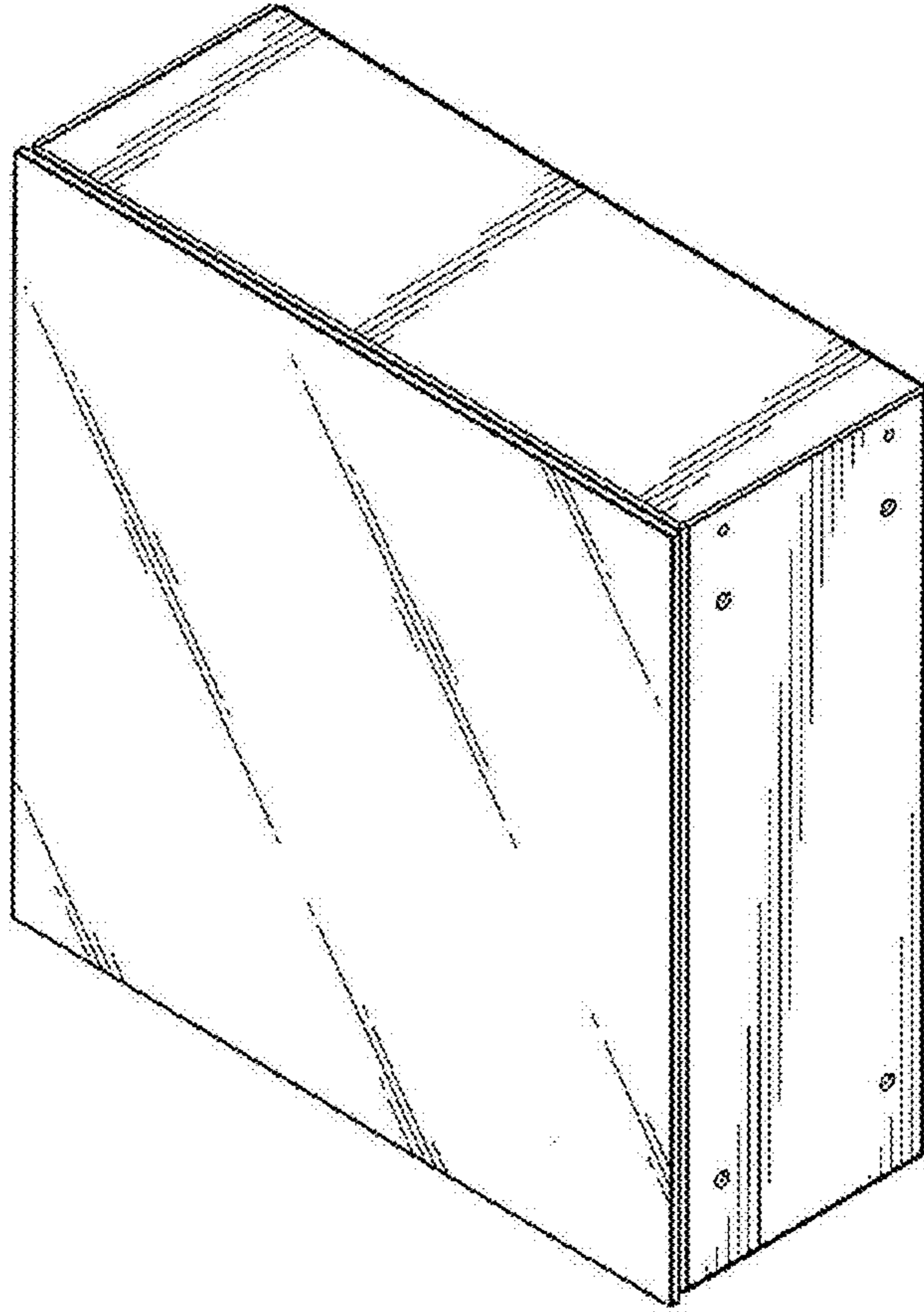


Fig.1

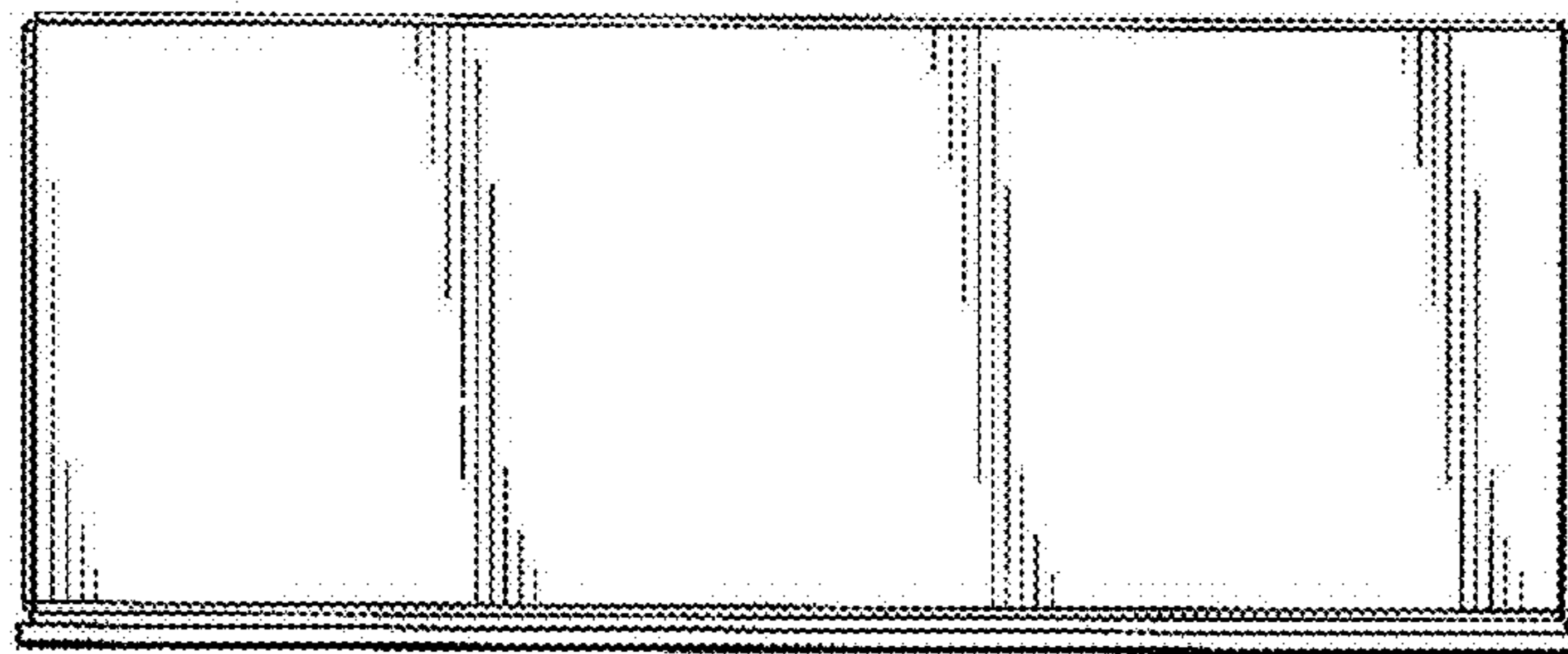


Fig.2

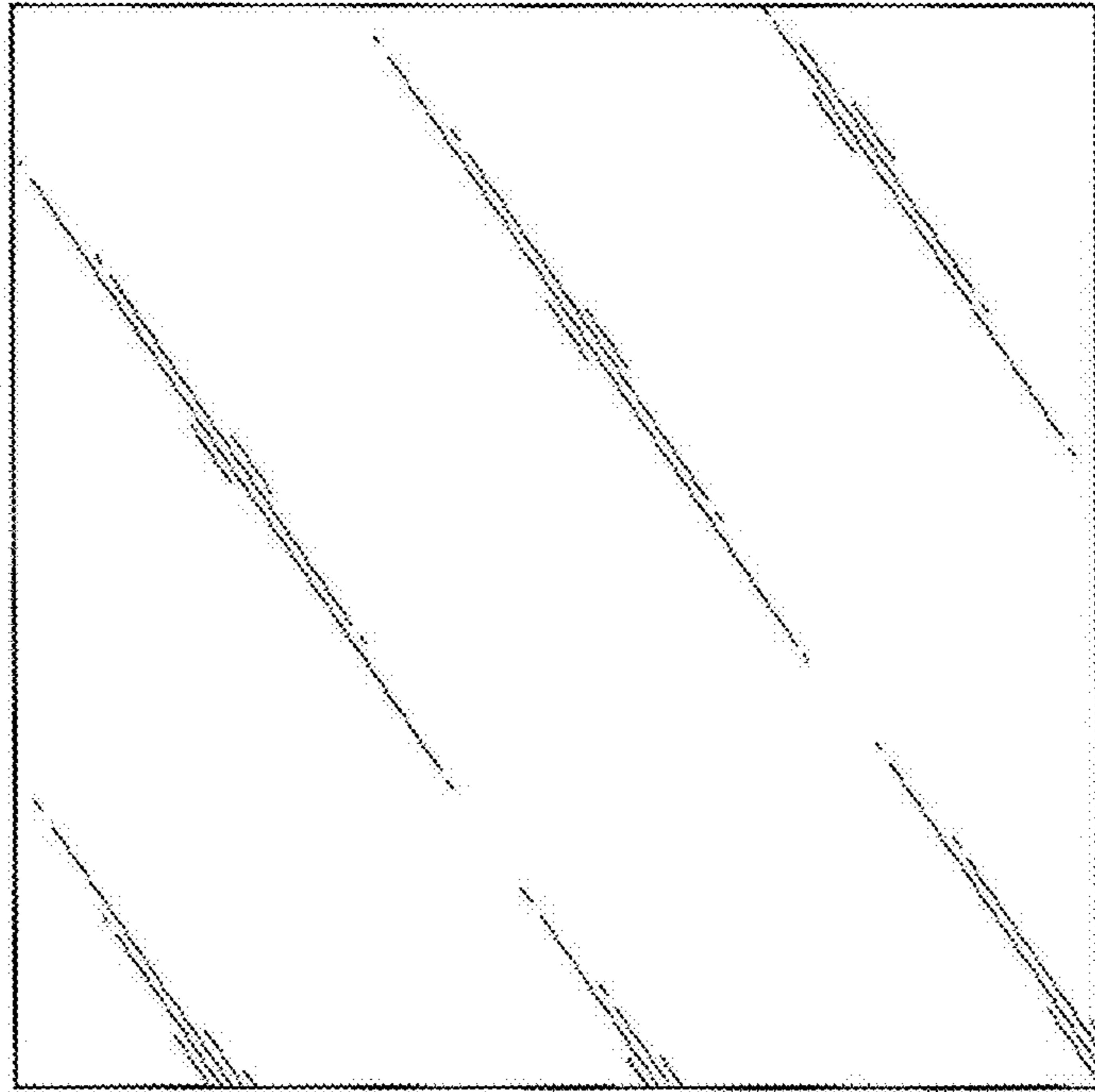


Fig.3

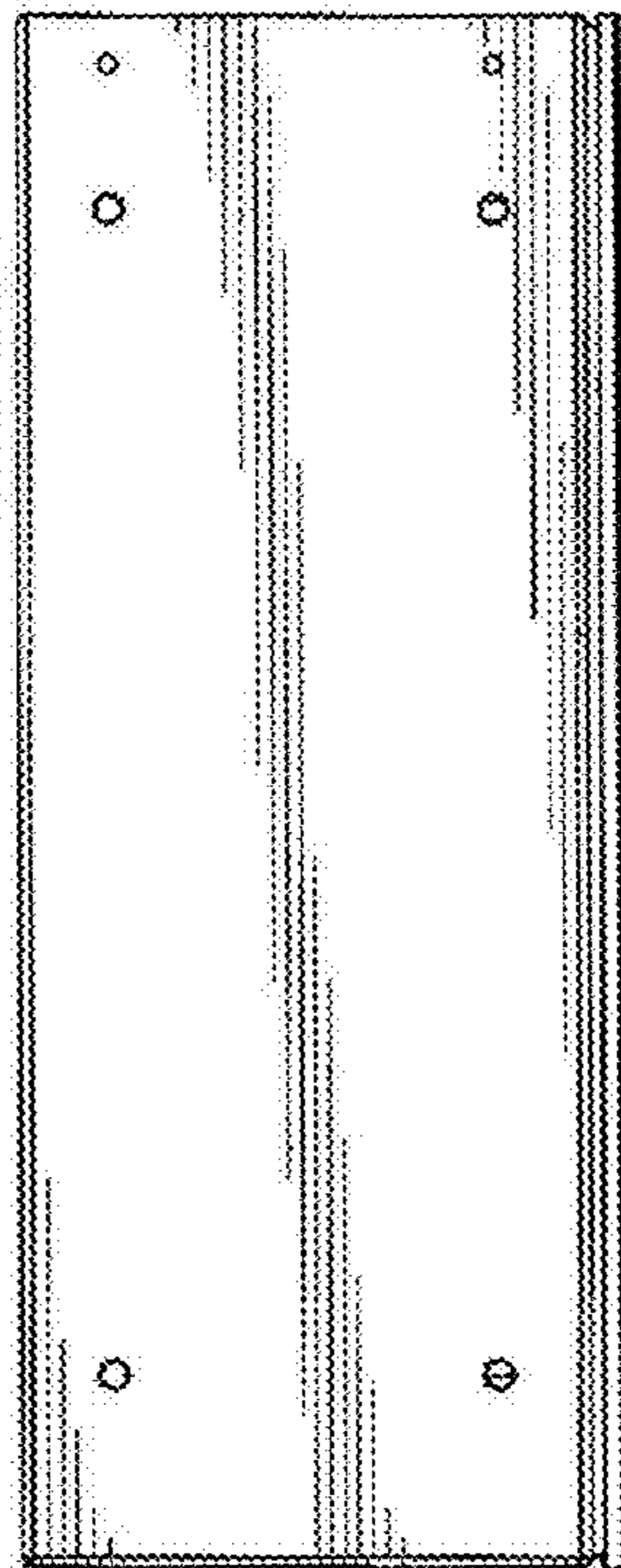


Fig.4

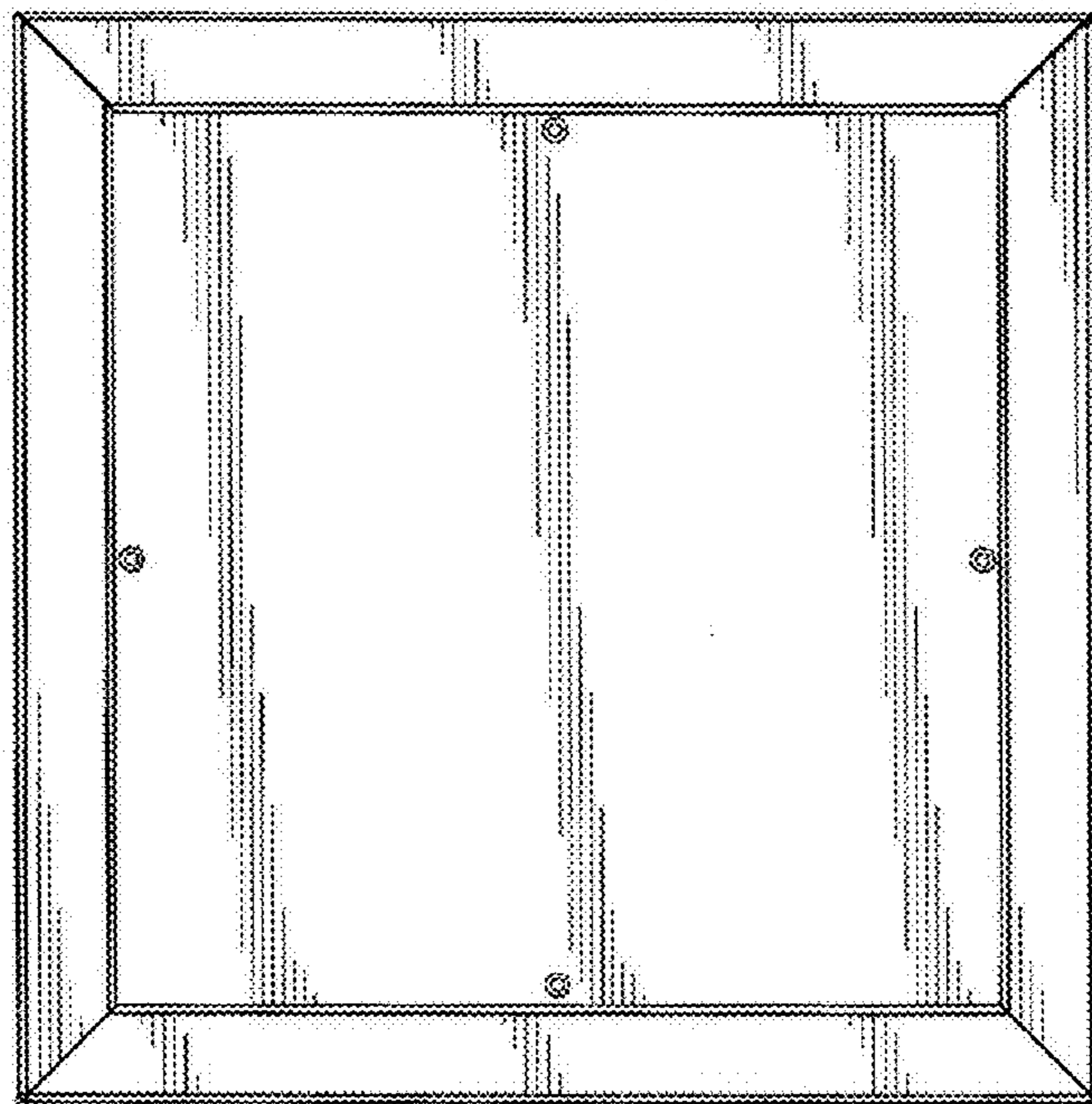


Fig.5

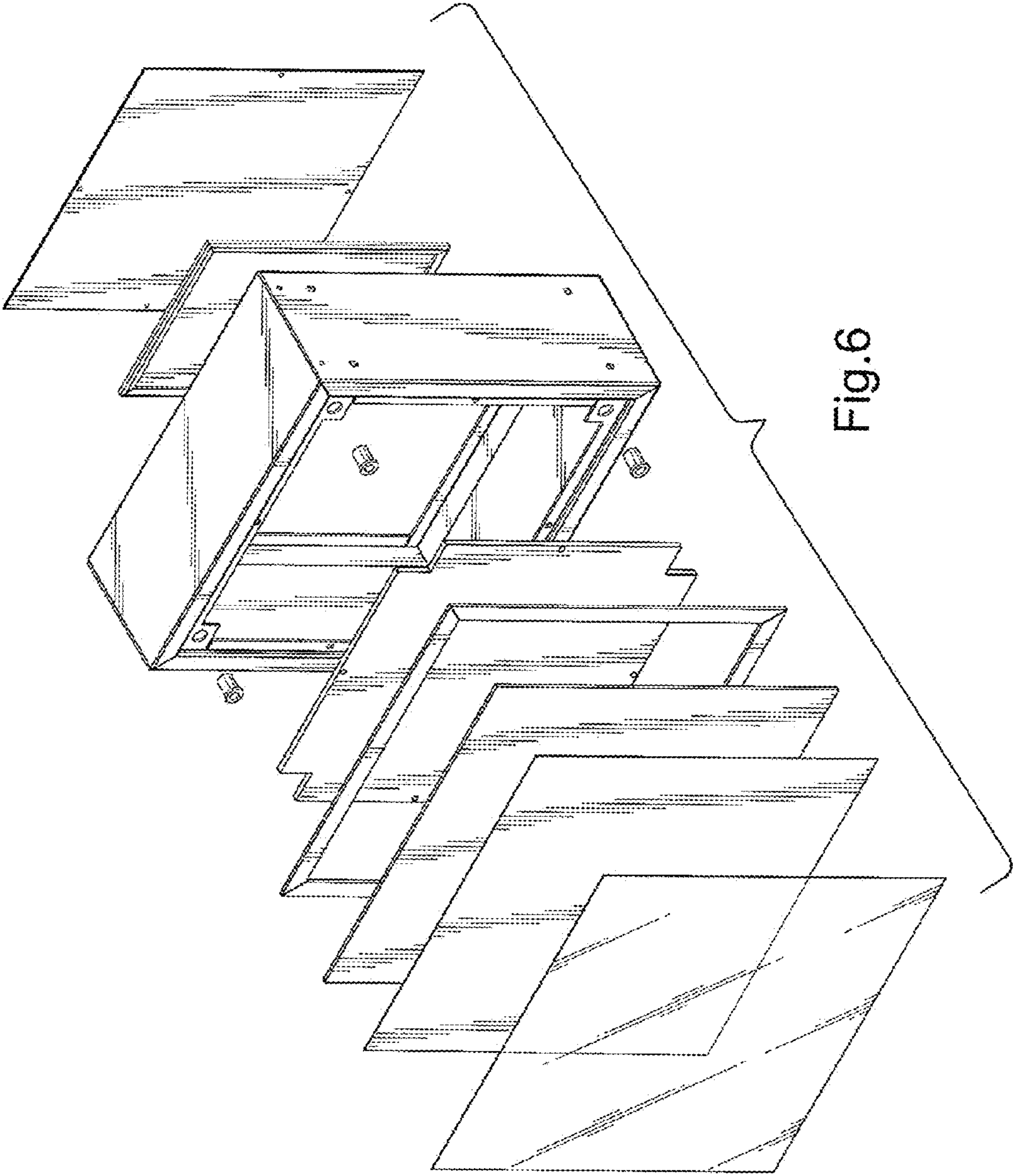


Fig.6