



US00D748361S

(12) **United States Design Patent**  
**Kritzer**

(10) **Patent No.:** **US D748,361 S**  
(45) **Date of Patent:** **\*\* Jan. 26, 2016**

- (54) **PORTABLE AUTOMOBILE LIFT**
- (71) Applicant: **BendPak, Inc.**, Santa Paula, CA (US)
- (72) Inventor: **Jeffrey S. Kritzer**, Moorpark, CA (US)
- (73) Assignee: **BENDPAK, INC.**, Santa Paula, CA (US)
- (\*\*) Term: **14 Years**
- (21) Appl. No.: **29/498,920**
- (22) Filed: **Aug. 8, 2014**

- 6,257,372 B1 \* 7/2001 Schirmer ..... B66B 9/0853  
187/269
- 6,318,929 B1 \* 11/2001 Basta ..... B63C 3/00  
114/44
- 6,619,620 B1 \* 9/2003 Carter ..... B66F 7/0625  
254/10 C
- 7,299,758 B1 \* 11/2007 Bogart ..... B63C 3/06  
114/44
- D596,823 S 7/2009 Thurm
- D632,450 S \* 2/2011 Agoncillo ..... D34/28
- D703,906 S 4/2014 Gann et al.
- 8,733,508 B2 \* 5/2014 Bacon ..... B66F 7/065  
187/240
- D716,514 S \* 10/2014 Kritzer ..... D34/28
- 2009/0272953 A1 \* 11/2009 Wolf ..... B66F 7/0625  
254/7 C
- 2010/0207085 A1 8/2010 Thurm
- 2014/0014886 A1 1/2014 Ruth sen.
- 2015/0076431 A1 \* 3/2015 Kritzer ..... B66F 3/46  
254/89 H

**Related U.S. Application Data**

- (63) Continuation-in-part of application No. 29/467,149, filed on Sep. 16, 2013, now Pat. No. Des. 716,514.
- (51) **LOC (10) Cl.** ..... **12-05**
- (52) **U.S. Cl.**  
USPC ..... **D34/28**
- (58) **Field of Classification Search**  
USPC ..... D34/28-37; 254/1, 10 R, 122, 93 R, 8 B,  
254/10 C, 8 R, 9 C, 10 B, 9 B, 9 R, 93 H,  
133 R,  
254/124, 88, 90, 1 R, 45, 89 H, 89 R, 8.43;  
D12/101, 406, 408, 410, 402, 2 C, 8 R,  
D12/154; 414/539, 540, 541, 678, 921  
CPC ..... B66F 7/0641; B66F 7/08; B66F 3/46;  
B66F 7/16; B66F 7/20; B66F 11/04; B66F  
3/00; B66F 3/02; B66F 11/00  
See application file for complete search history.

(56) **References Cited**

**U.S. PATENT DOCUMENTS**

- 4,848,732 A 7/1989 Rossato
- 5,007,121 A \* 4/1991 McEathron ..... A61G 7/1003  
254/10 C
- D344,835 S 3/1994 MacEachern
- D346,255 S 4/1994 Francis et al.
- D375,602 S 11/1996 Henthorn et al.
- D378,155 S 2/1997 Bartow et al.
- 5,636,711 A \* 6/1997 Nussbaum ..... B66F 7/0666  
182/141
- 6,059,263 A 5/2000 Otema et al.

**OTHER PUBLICATIONS**

Photo of Allstar Performance Race Car Lift with Pump believed to have been on sale prior to invention by applicant.

\* cited by examiner

*Primary Examiner* — Cynthia Ramirez

*Assistant Examiner* — Gino Colan

(74) *Attorney, Agent, or Firm* — Erickson Kernell  
Derusseau & Kleypas, LLC

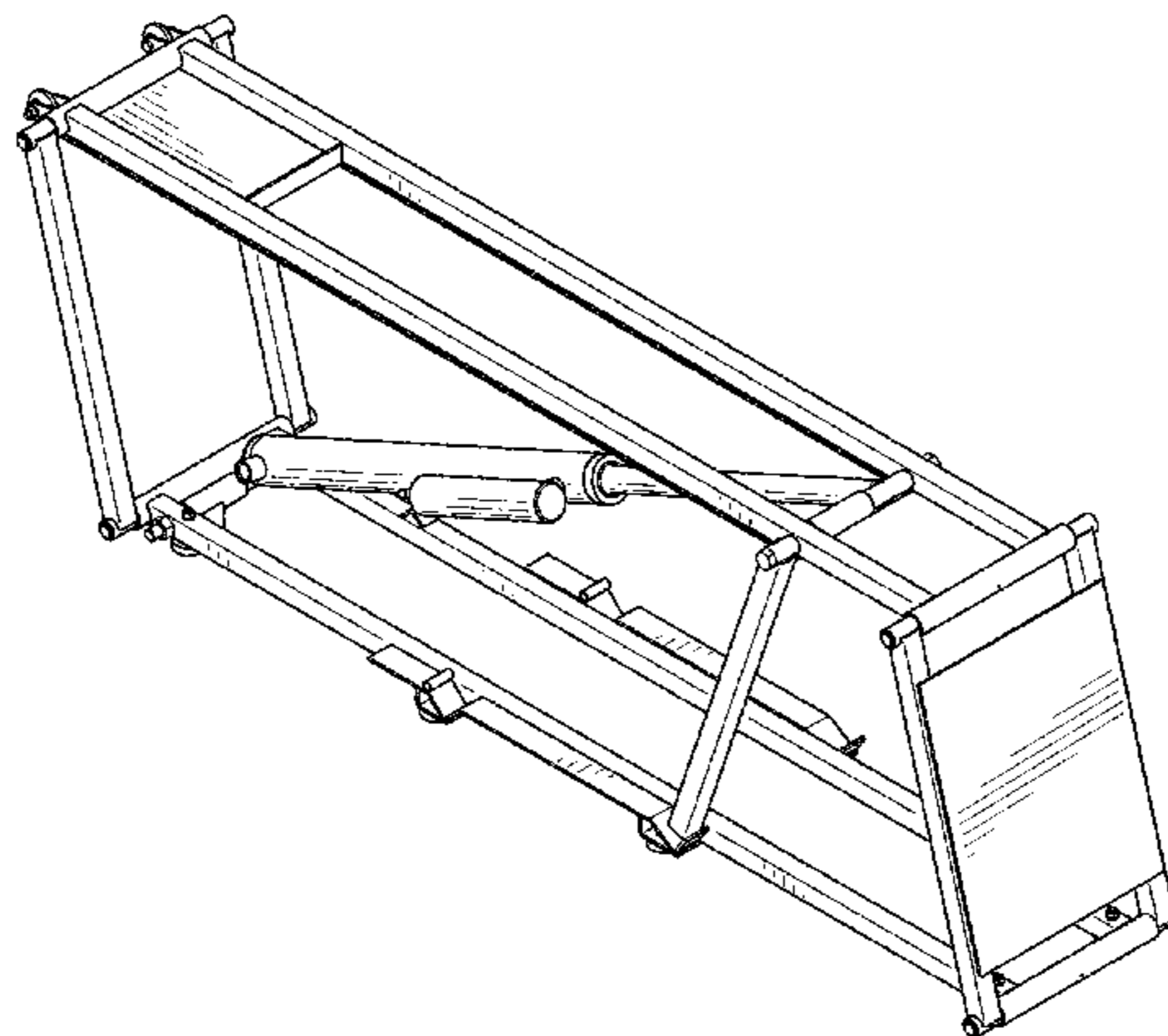
(57) **CLAIM**

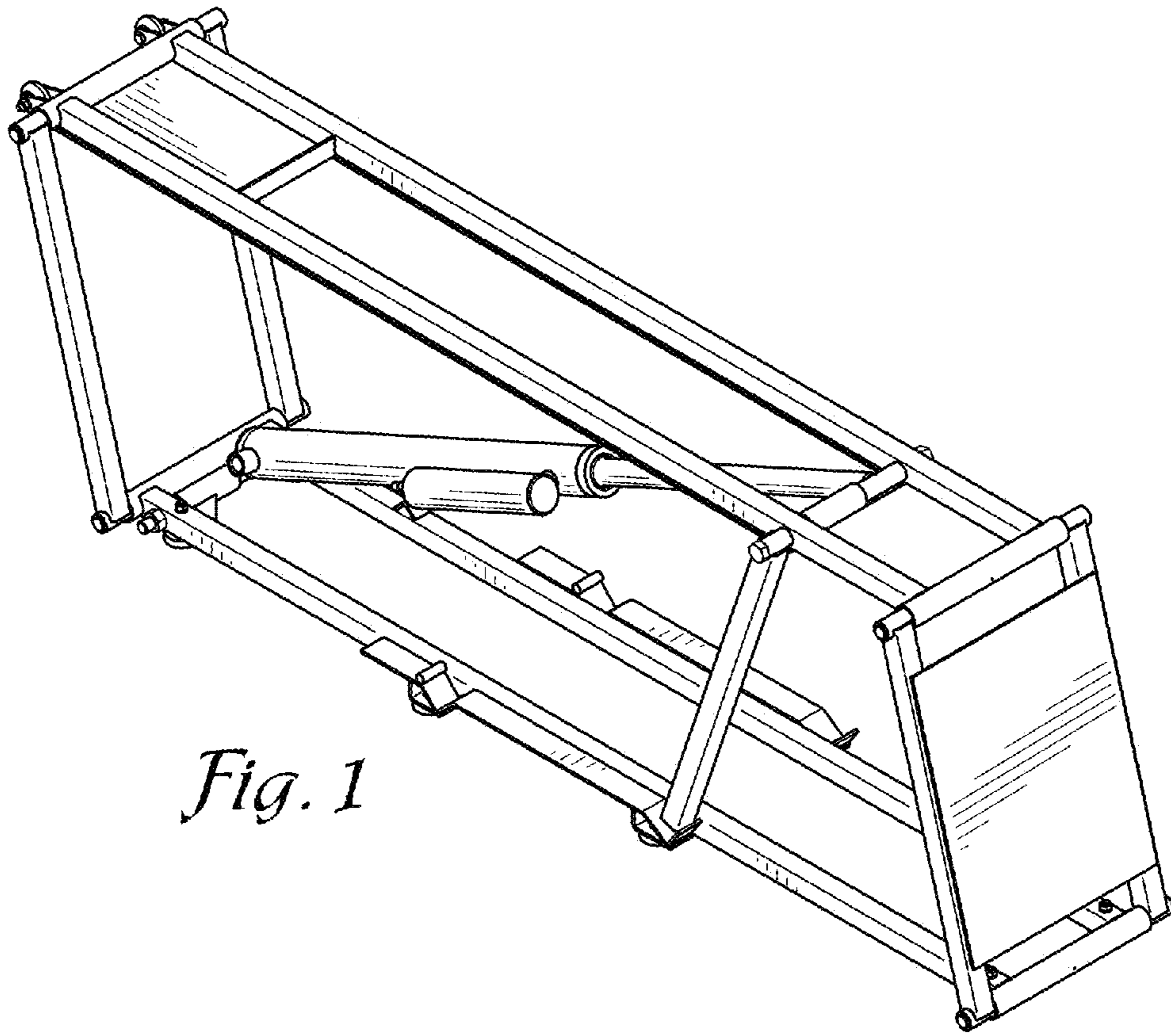
The ornamental design for a portable automobile lift, as shown and described.

**DESCRIPTION**

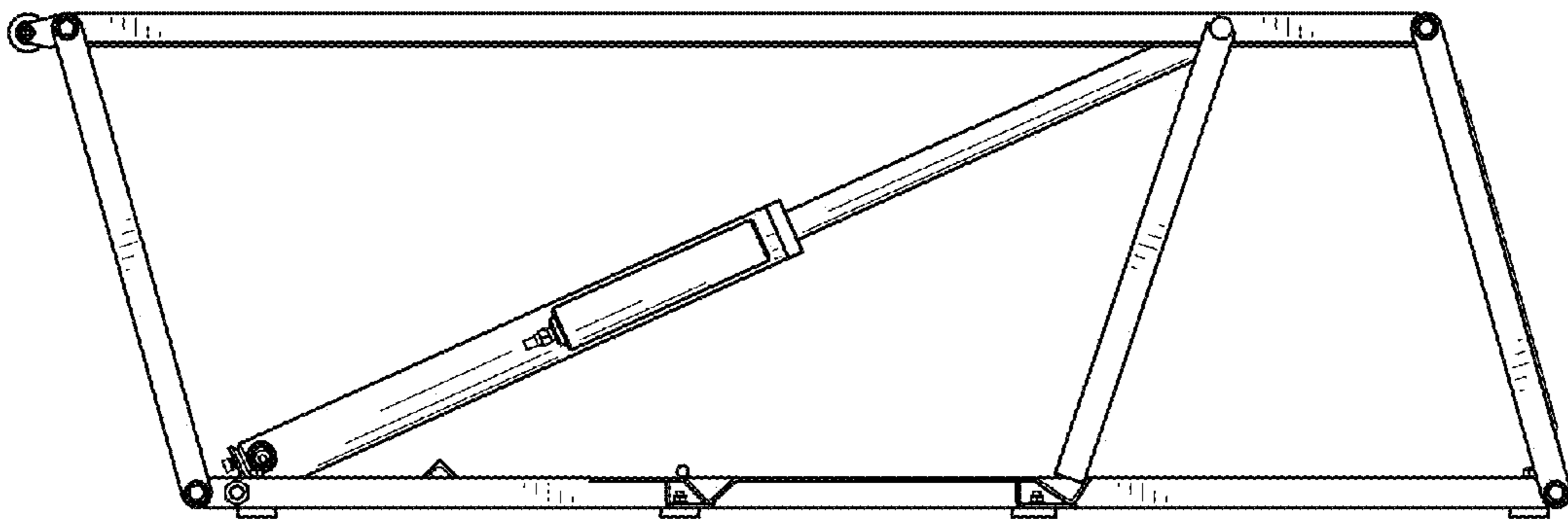
FIG. 1 is a perspective view of a portable automobile lift; FIG. 2 is a left side elevational view thereof; FIG. 3 is a right side elevational view thereof; FIG. 4 is a front elevational view thereof; FIG. 5 is a rear elevational view thereof; FIG. 6 is a top plan view thereof; and, FIG. 7 is a bottom plan view thereof.

**1 Claim, 3 Drawing Sheets**

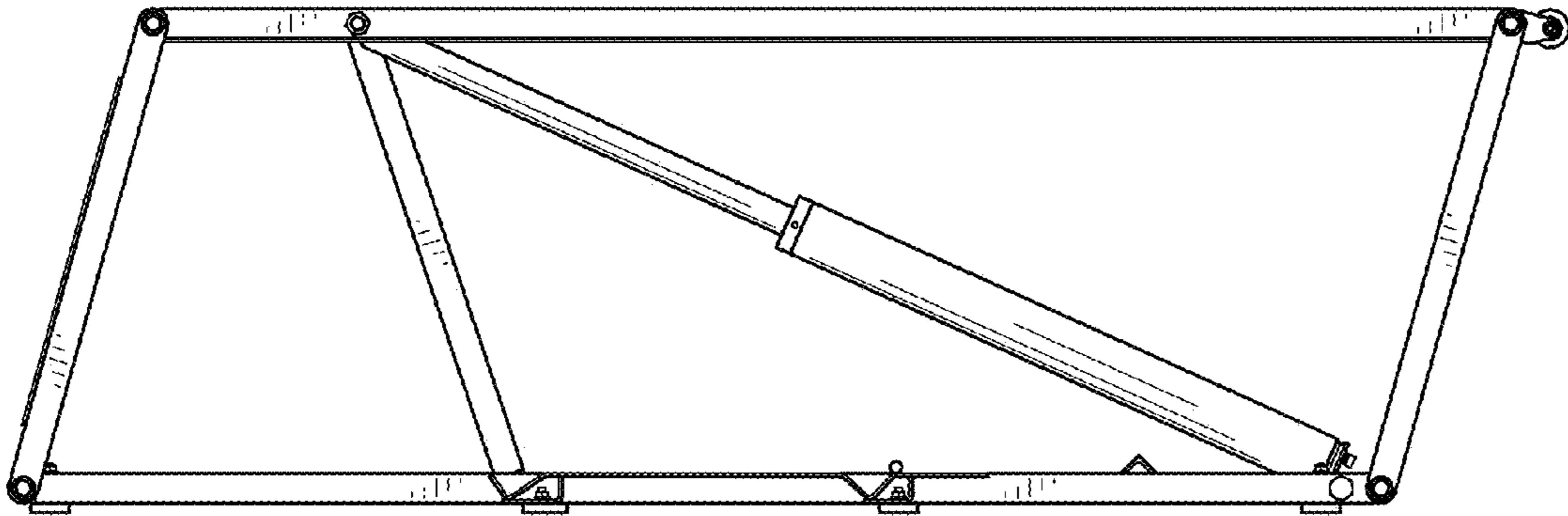




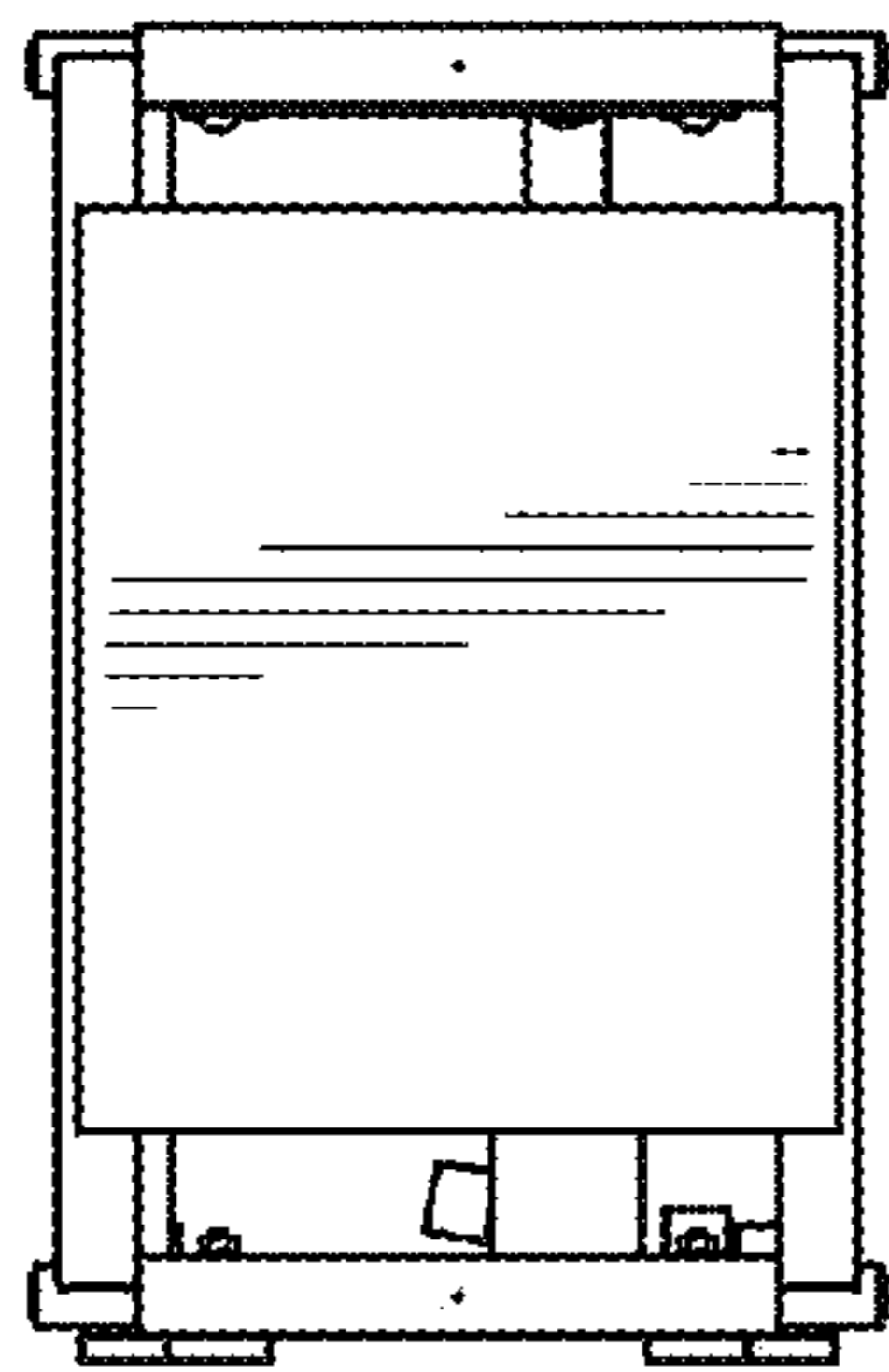
*Fig. 1*



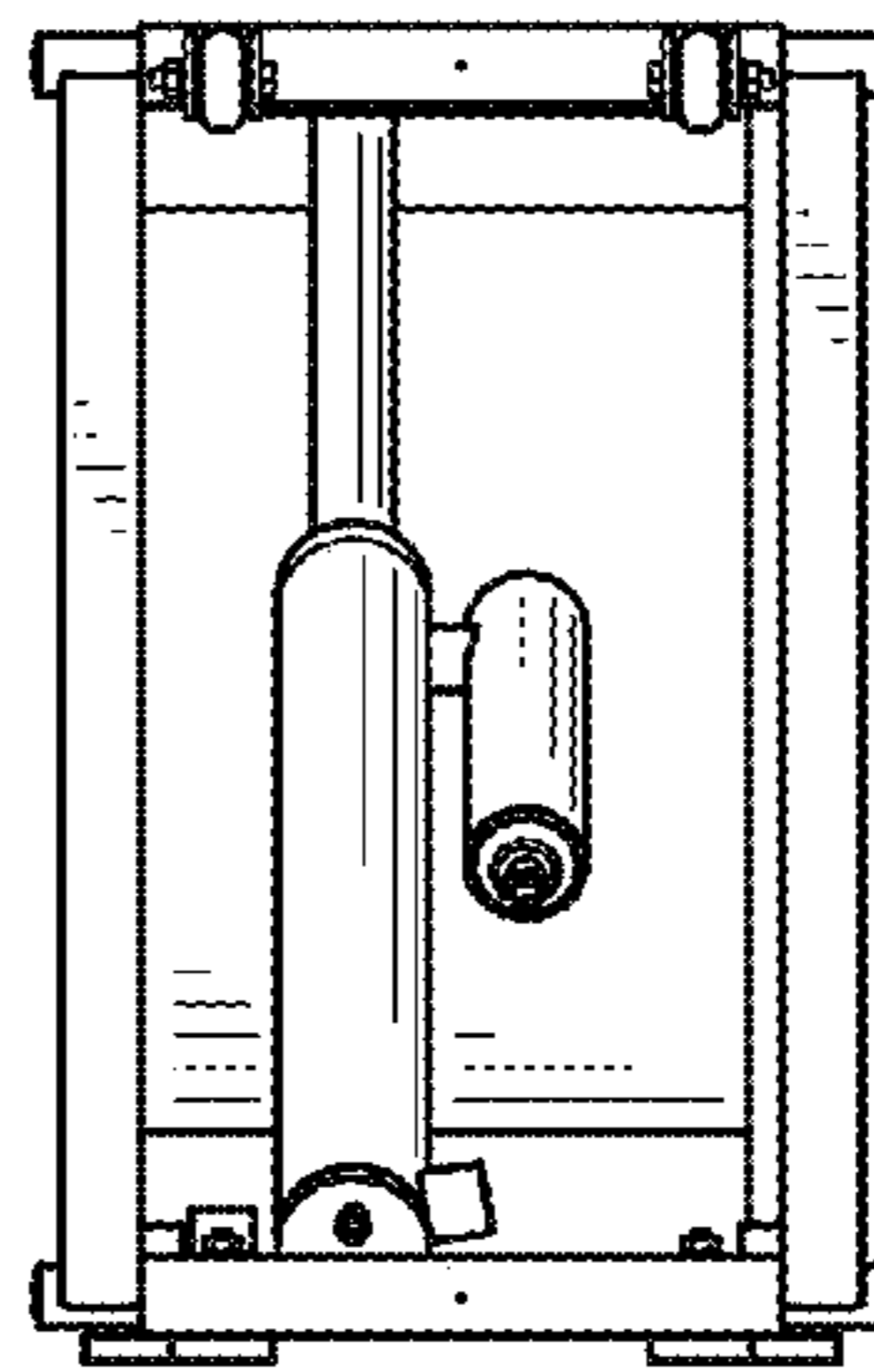
*Fig. 2*



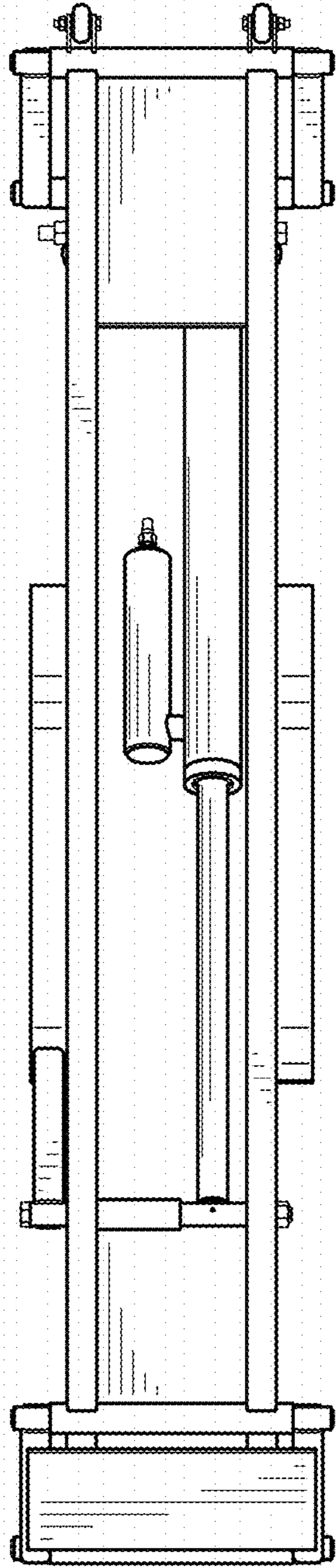
*Fig. 3*



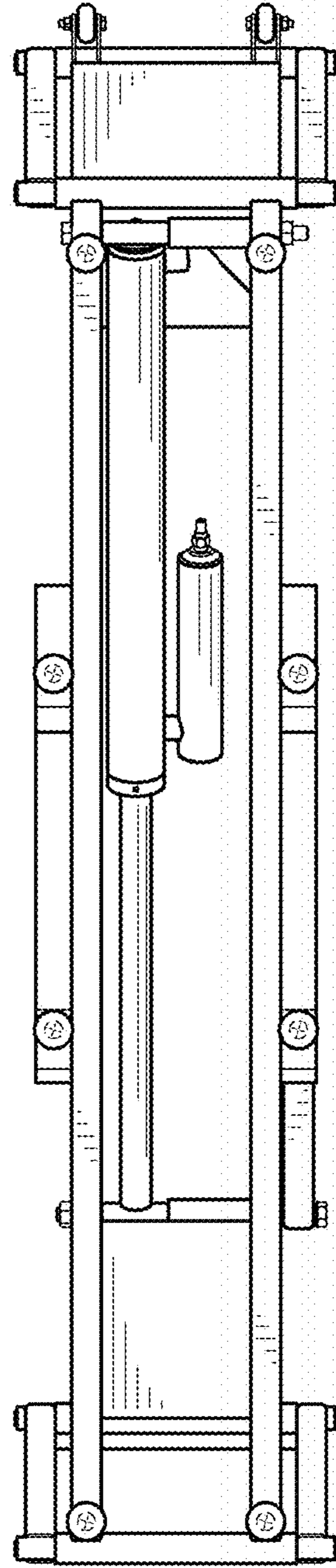
*Fig. 4*



*Fig. 5*



*Fig. 6*



*Fig. 7*