



US00D748360S

(12) **United States Design Patent**
Dahmer

(10) **Patent No.:** **US D748,360 S**
(45) **Date of Patent:** **** Jan. 26, 2016**

(54) **LOADING DEVICE**
(71) Applicant: **Bullet Enterprises, LLC**, Sheboygan, WI (US)
(72) Inventor: **Bradley Michael Dahmer**, Sheboygan Falls, WI (US)
(73) Assignee: **Bullet Enterprises, LLC**, Sheboygan, WI (US)
(**) Term: **14 Years**
(21) Appl. No.: **29/487,717**
(22) Filed: **Apr. 11, 2014**
(51) **LOC (10) Cl.** **12-05**
(52) **U.S. Cl.**
USPC **D34/28**
(58) **Field of Classification Search**
USPC D34/28; 211/182, 186, 187, 134, 188, 211/149, 150; 248/240, 242; 56/11.6, 11.8, 56/DIG. 9, DIG. 18; 16/110.1, 112.1, 16/113.1, 114.1, 405, 505; D8/14; 37/244
CPC B25G 1/00; B25G 1/10; B25G 3/38; A47B 81/00; A47B 43/04; A47B 43/006
See application file for complete search history.

4,966,259 A * 10/1990 Bergman A45C 13/262 16/113.1
5,040,315 A * 8/1991 Matson E01H 5/12 37/223
D323,831 S * 2/1992 Hollis D15/10
5,180,141 A * 1/1993 Hunt B60B 29/001 254/131
D343,997 S * 2/1994 Smith D8/14
D347,981 S * 6/1994 Suggs, Sr. D8/14
D363,588 S * 10/1995 Bancroft D34/12
D367,347 S * 2/1996 Moudrianakis D34/12
5,775,074 A * 7/1998 Walter A01D 34/001 310/91
5,842,329 A * 12/1998 Carter A01D 34/824 16/437
5,966,846 A * 10/1999 Harms E01H 5/04 37/233
6,123,209 A * 9/2000 Tseng A47B 87/005 211/182
6,341,406 B1 * 1/2002 Beckman A61G 1/048 16/113.1
D471,337 S * 3/2003 Cooper D34/28
D473,569 S * 4/2003 Abenroth D15/11
D529,931 S * 10/2006 Henssler D15/10
D589,224 S * 3/2009 Kilpatrick D34/28
7,644,565 B2 * 1/2010 Uihlein A01D 34/84 56/12.7
D622,567 S * 8/2010 Maldonado D34/28
D662,273 S * 6/2012 Bayley D34/28

(Continued)

(56) **References Cited**
U.S. PATENT DOCUMENTS

2,913,249 A * 11/1959 Welsh B62B 7/02 211/182
3,555,583 A * 1/1971 Mousel B60B 29/001 414/428
3,649,976 A * 3/1972 Isom B25F 1/00 254/131
4,108,456 A * 8/1978 Woelffer A01D 34/824 16/437
D274,250 S * 6/1984 Allen D15/14
4,528,805 A * 7/1985 Zitta A01D 34/001 56/11.6
4,551,967 A * 11/1985 Murcko A01D 413/16 56/11.3
4,561,239 A * 12/1985 Cook A01D 34/824 16/437
4,763,907 A * 8/1988 Raymond B62B 3/02 280/47.315
D305,603 S * 1/1990 Nelson D15/11

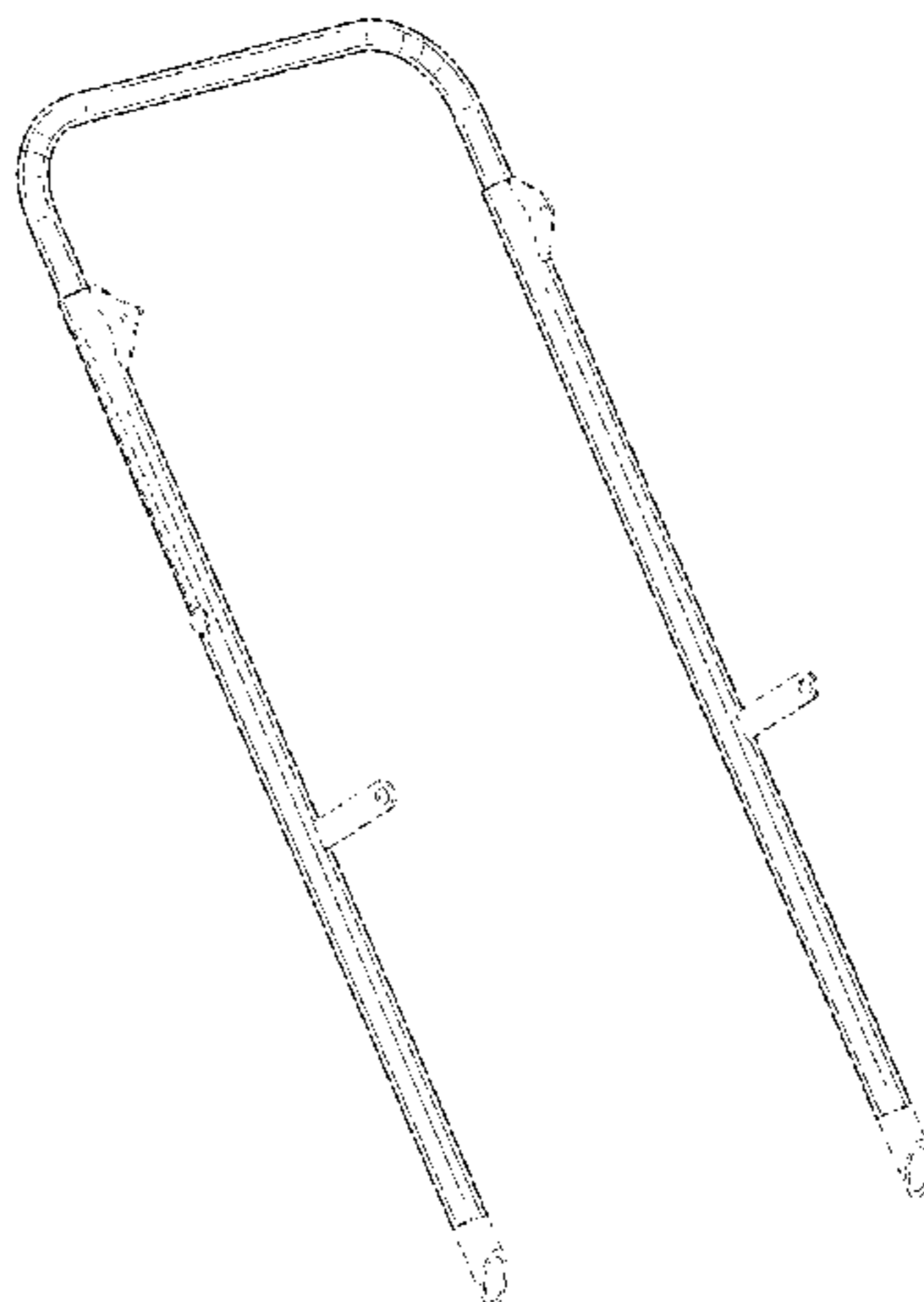
Primary Examiner — Cynthia Ramirez
(74) *Attorney, Agent, or Firm* — Ziolkowski Patent Solutions Group, SC

(57) **CLAIM**
The ornamental design for a loading device, as shown and described.

DESCRIPTION

FIG. 1 is a perspective view of a loading device in accordance with the present invention.
FIG. 2 is a front view thereof;
FIG. 3 is a back view thereof
FIG. 4 is a side view thereof;
FIG. 5 is a top view thereof; and,
FIG. 6 is a bottom view thereof.
The broken lines in the drawing views are included for the purpose of illustrating portions of the loading device that form no part of the claimed design.

1 Claim, 4 Drawing Sheets



US D748,360 S

Page 2

(56)

References Cited

U.S. PATENT DOCUMENTS

| | | | | | | | | | |
|------------------|---------|--------|-------|-----------------------|------------------|--------|--------|-------|------------------------|
| D676,876 S * | 2/2013 | Martin | | D15/11 | 2007/0158289 A1* | 7/2007 | Chen | | A47B 47/00 211/186 |
| 2001/0039788 A1* | 11/2001 | Starr | | A01D 34/475 56/294 | 2009/0094956 A1* | 4/2009 | Barlow | | A01D 43/063 56/16.7 |
| | | | | | 2015/0096953 A1* | 4/2015 | Lai | | A47B 47/024 211/186 |

* cited by examiner

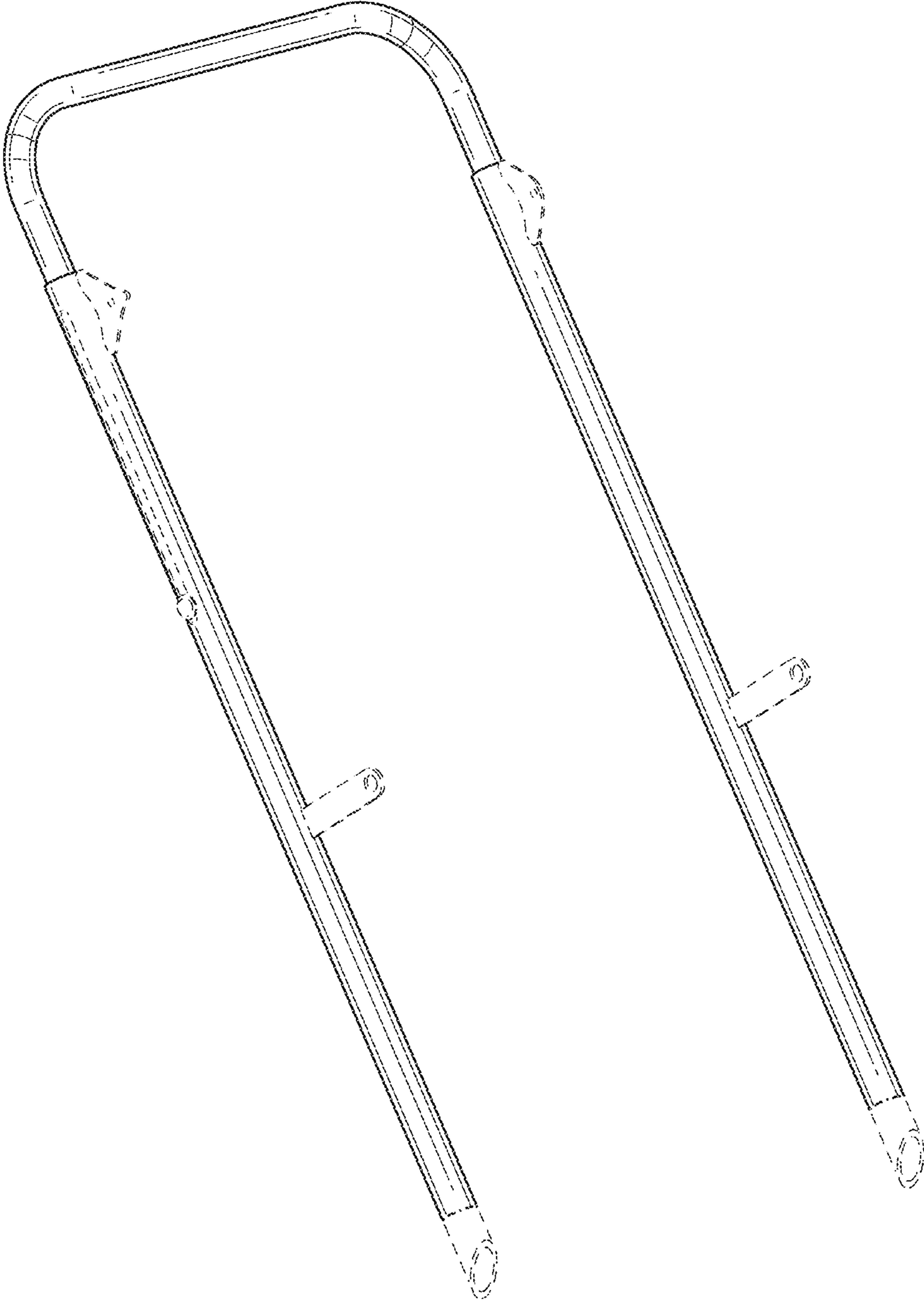


FIG. 1

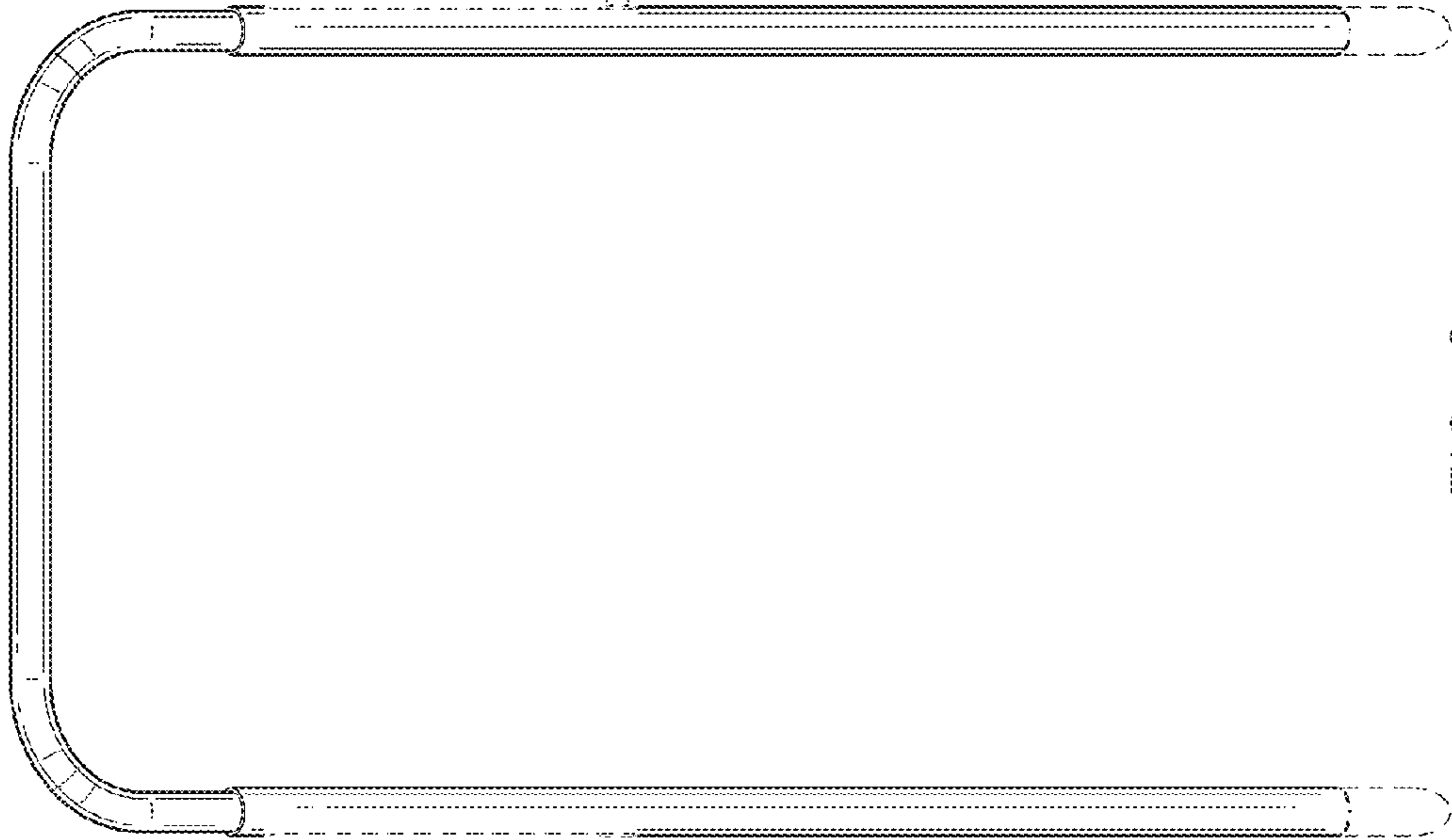


FIG. 3



FIG. 2

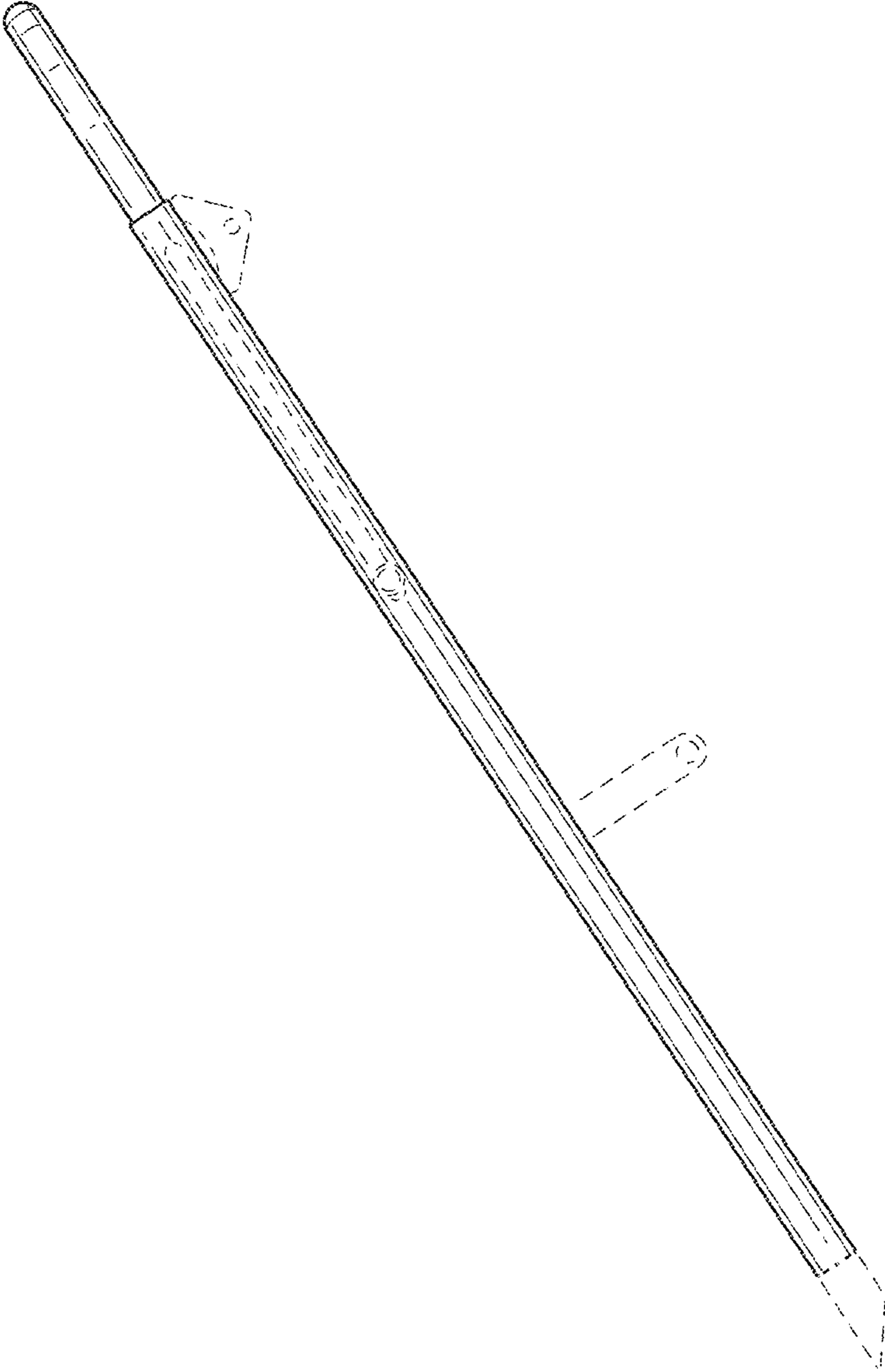


FIG. 4

FIG. 5

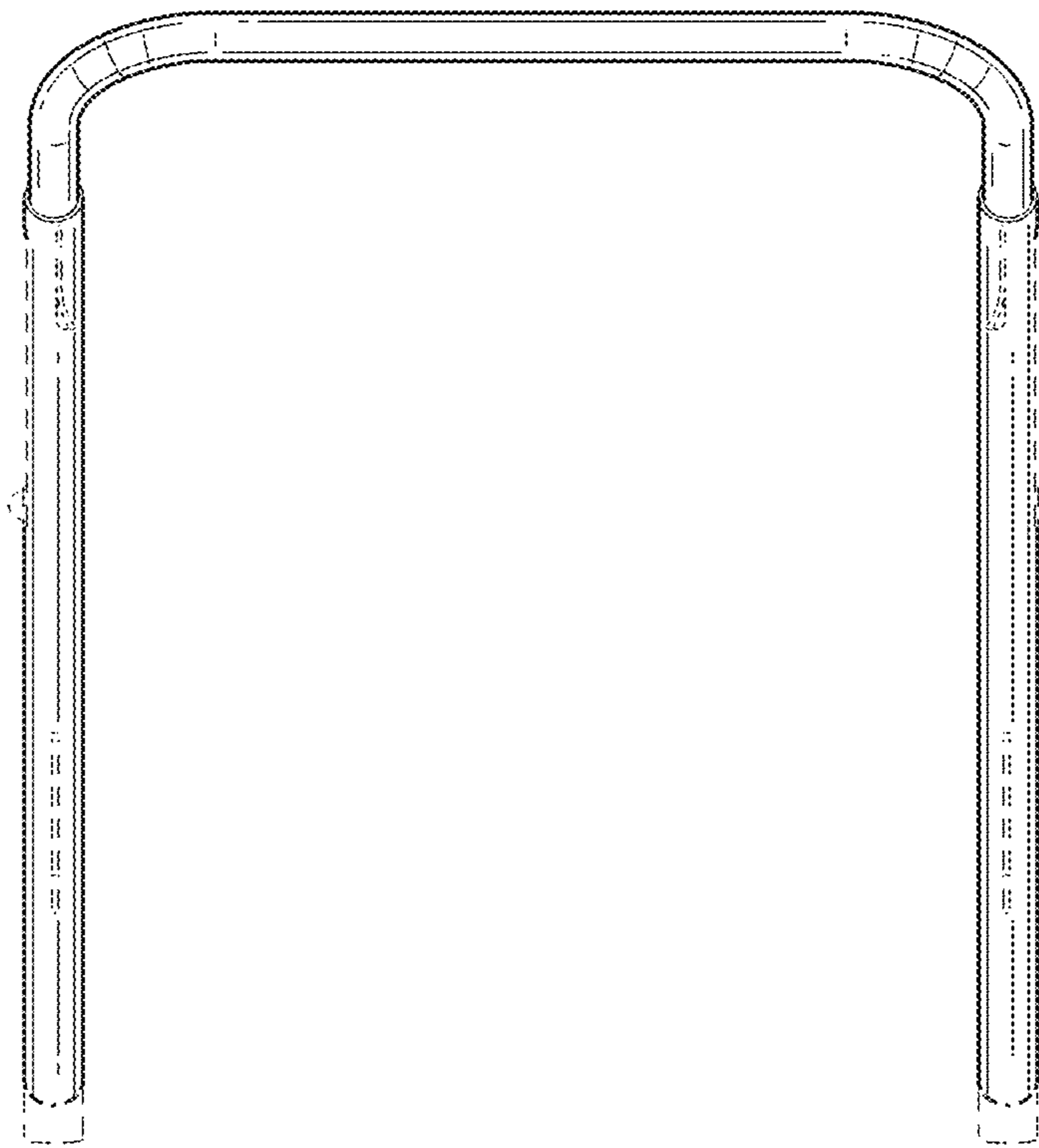


FIG. 6

