



US00D748358S

(12) **United States Design Patent**  
**Coller et al.**

(10) **Patent No.:** **US D748,358 S**  
(45) **Date of Patent:** **\*\* Jan. 26, 2016**

(54) **ONE-PIECE DISH WAND HOLDER**

(71) Applicants: **D. Bentley Coller**, Bloomington, IN  
(US); **Maribeth Coller**, Rockingham,  
NC (US)

(72) Inventors: **D. Bentley Coller**, Bloomington, IN  
(US); **Maribeth Coller**, Rockingham,  
NC (US)

(\*\*) Term: **14 Years**

(21) Appl. No.: **29/476,272**

(22) Filed: **Dec. 12, 2013**

(51) **LOC (10) Cl.** ..... **07-05**

(52) **U.S. Cl.**  
USPC ..... **D32/58**

(58) **Field of Classification Search**  
USPC ..... D32/55, 276, 3, 58; D6/510, 525, 536,  
D6/553, 566, 678.4, 537; D30/133;  
211/41.5, 41.4, 41.3, 41.8; 361/679.4;  
312/311, 333, 334.4; D7/354, 629, 631  
CPC ..... A47J 47/20; A47J 2201/00; A47J 47/00;  
B65D 35/02; B65D 35/22; B65D 35/56  
See application file for complete search history.

(56) **References Cited**

**U.S. PATENT DOCUMENTS**

1,580,847	A	4/1926	Moineau	
3,021,106	A	2/1962	Kramer	
3,568,969	A	3/1971	Boman et al.	
4,896,858	A	1/1990	Sokolski et al.	
D379,920	S *	6/1997	Bozzo	D8/368
5,711,502	A	1/1998	Emalfarb et al.	
5,957,238	A *	9/1999	Curvin, II	182/129
D422,333	S *	4/2000	Foster et al.	D22/107
6,330,948	B1	12/2001	Leto	

6,457,691	B1	10/2002	Kao	
D548,416	S	8/2007	Gullicks et al.	
D554,927	S *	11/2007	Smith	D6/566
7,475,884	B2 *	1/2009	Ryan	280/33.992
D632,908	S	2/2011	Tincher	
D636,638	S *	4/2011	Chen	D7/600.1

(Continued)

*Primary Examiner* — Austin Murphy

(74) *Attorney, Agent, or Firm* — Taft Stettinius & Hollister,  
LLP

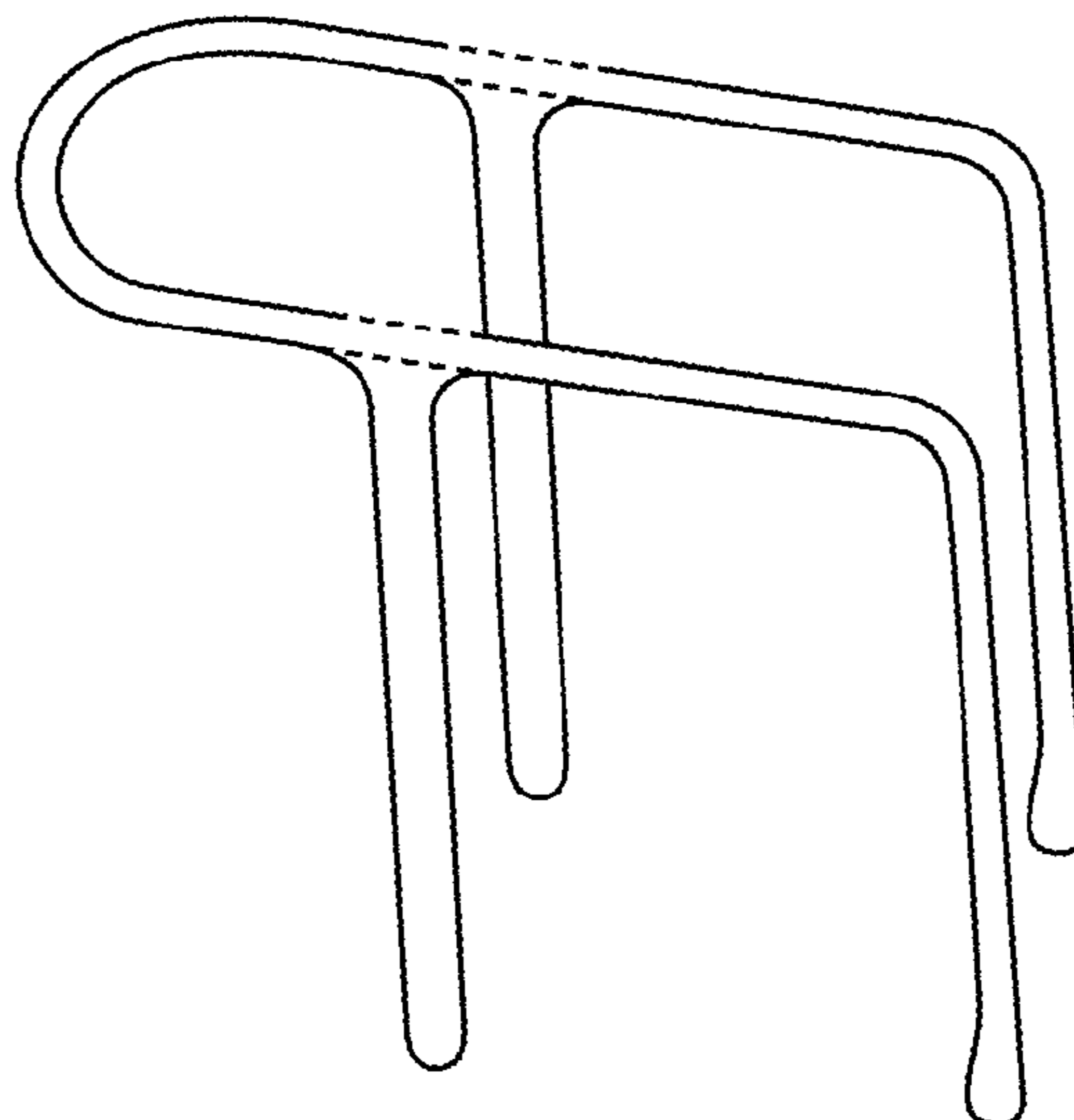
(57) **CLAIM**

The ornamental design for a one-piece dish wand holder, as shown and described.

**DESCRIPTION**

FIG. 1 is a perspective view of the one-piece dish wand holder, according to a first embodiment; FIG. 2 is a side view of the dish wand holder of FIG. 1; FIG. 3 is a top view of the dish wand holder of FIG. 1; FIG. 4 is a bottom view of the dish wand holder of FIG. 1; FIG. 5 is a front view of the dish wand holder of FIG. 1; FIG. 6 is a back view of the dish wand holder of FIG. 1; FIG. 7 is a side view of the one-piece dish wand holder, according to a second embodiment; FIG. 8 is a top view of the dish wand holder of FIG. 7; FIG. 9 is a perspective view of the dish wand holder of FIG. 7; FIG. 10 is a side view of a one-piece dish wand holder and dish wand assembly, according to a first embodiment; FIG. 11 is a front view of the assembly of FIG. 10; FIG. 12 is a side view of a one-piece dish wand holder and dish wand assembly, according to a second embodiment; and, FIG. 13 is a front view of the assembly of FIG. 12. The one-piece dish wand holder straddles the dividing wall in a divided sink and supports a dish wand in an upright position.

**1 Claim, 4 Drawing Sheets**



(56)

**References Cited**

U.S. PATENT DOCUMENTS

D637,850 S 5/2011 Ghiorghie  
D645,731 S \* 9/2011 Williams ..... D8/370  
D646,526 S \* 10/2011 Chen ..... D7/600.1  
D673,817 S \* 1/2013 Wessels ..... D7/622

8,430,366 B2 4/2013 Tincher  
D695,973 S \* 12/2013 Carrs ..... D30/133  
D723,301 S \* 3/2015 Callif et al. .... D6/566  
D723,761 S \* 3/2015 Goodman et al. .... D32/55  
9,022,329 B2 \* 5/2015 Gallup ..... 248/153  
2004/0124329 A1 7/2004 Scribner  
2012/0024807 A1 2/2012 Fullman et al.

\* cited by examiner

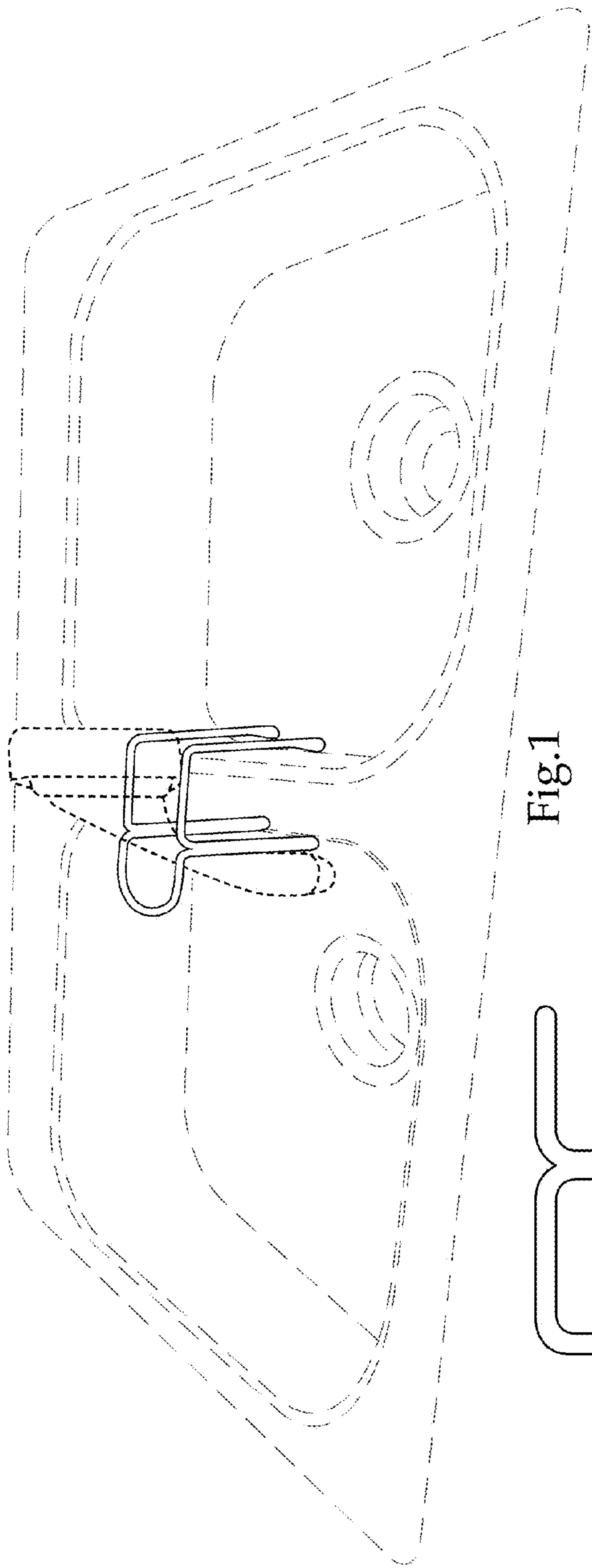


Fig.1

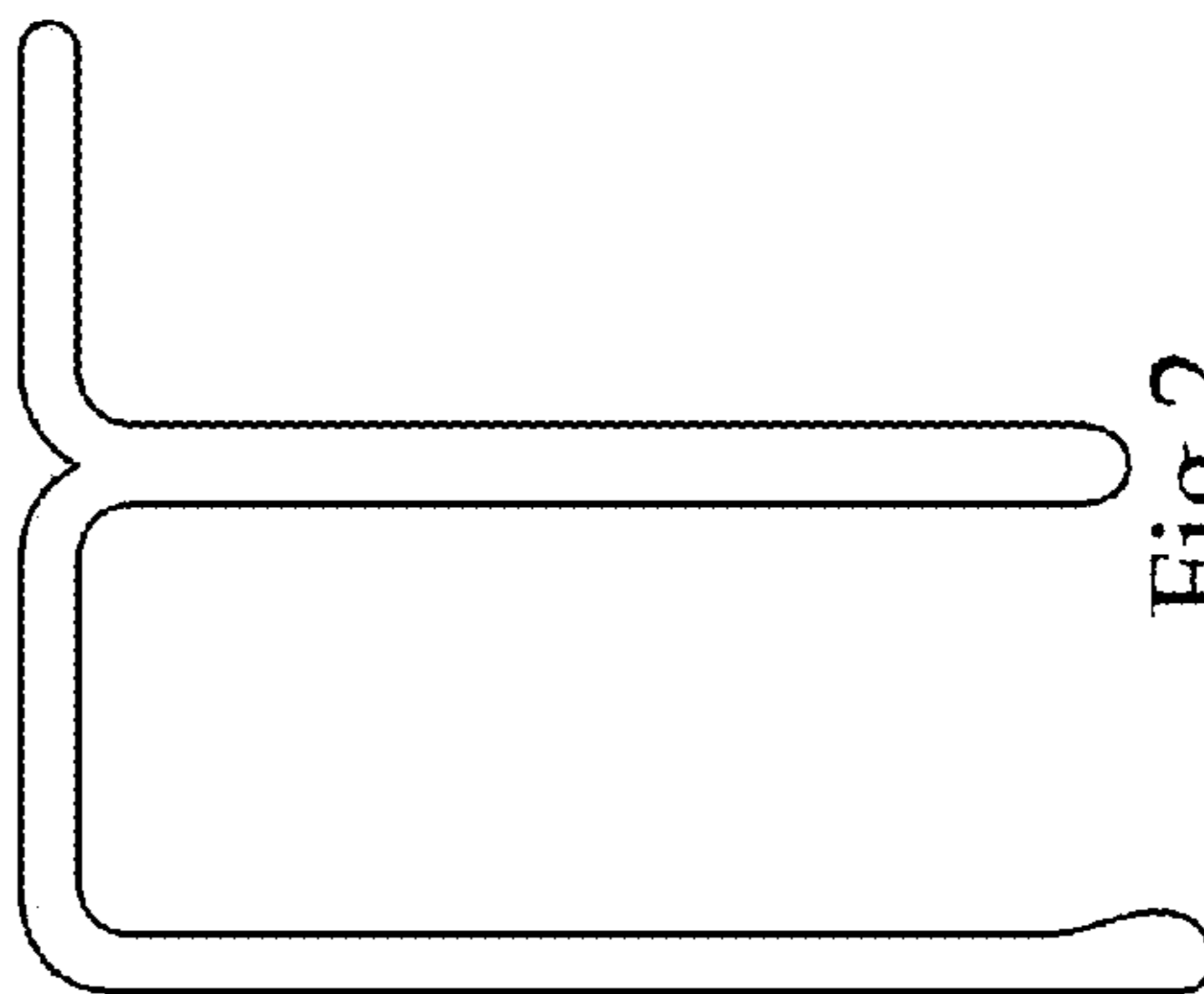


Fig.2

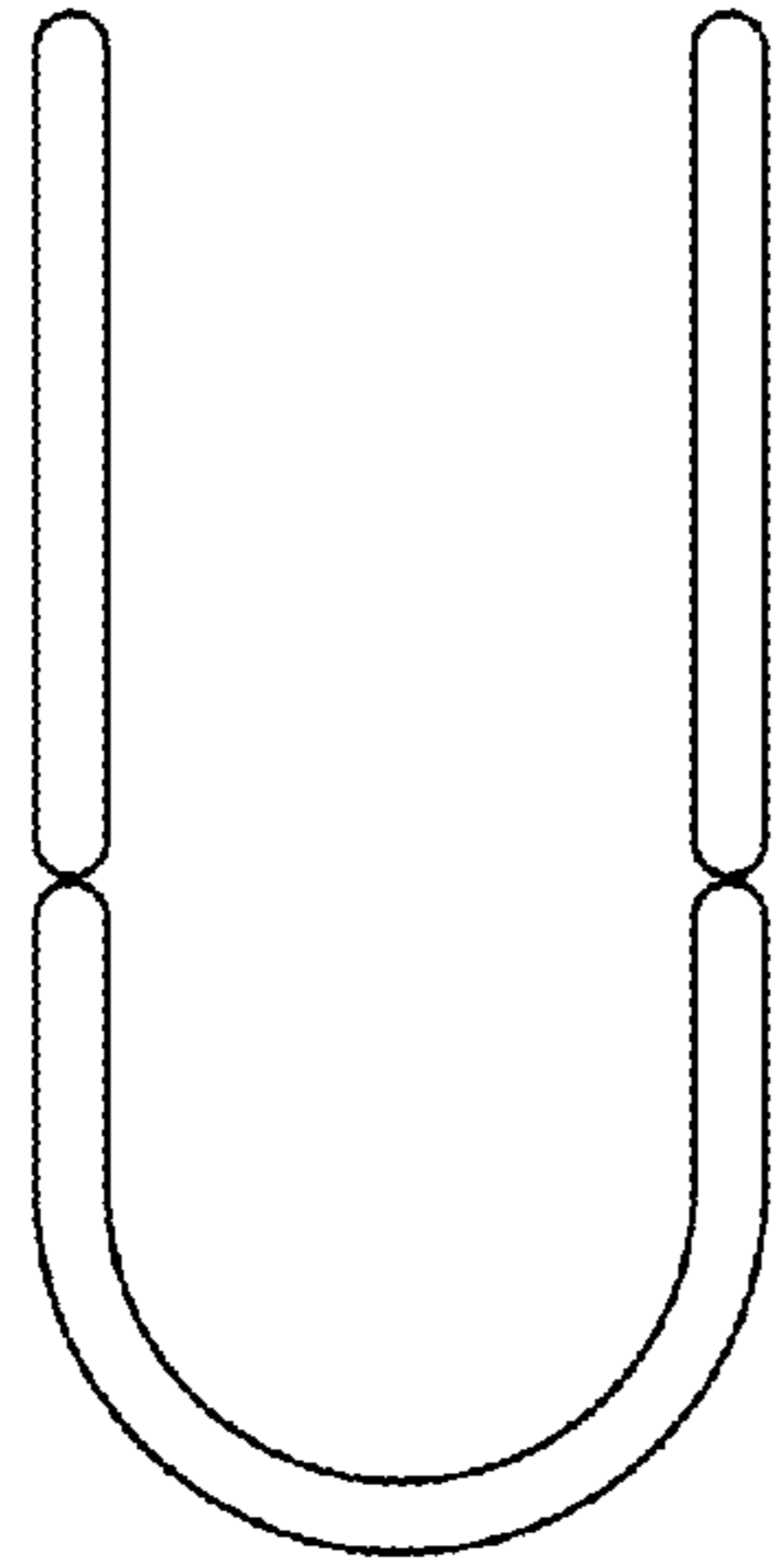


Fig.3

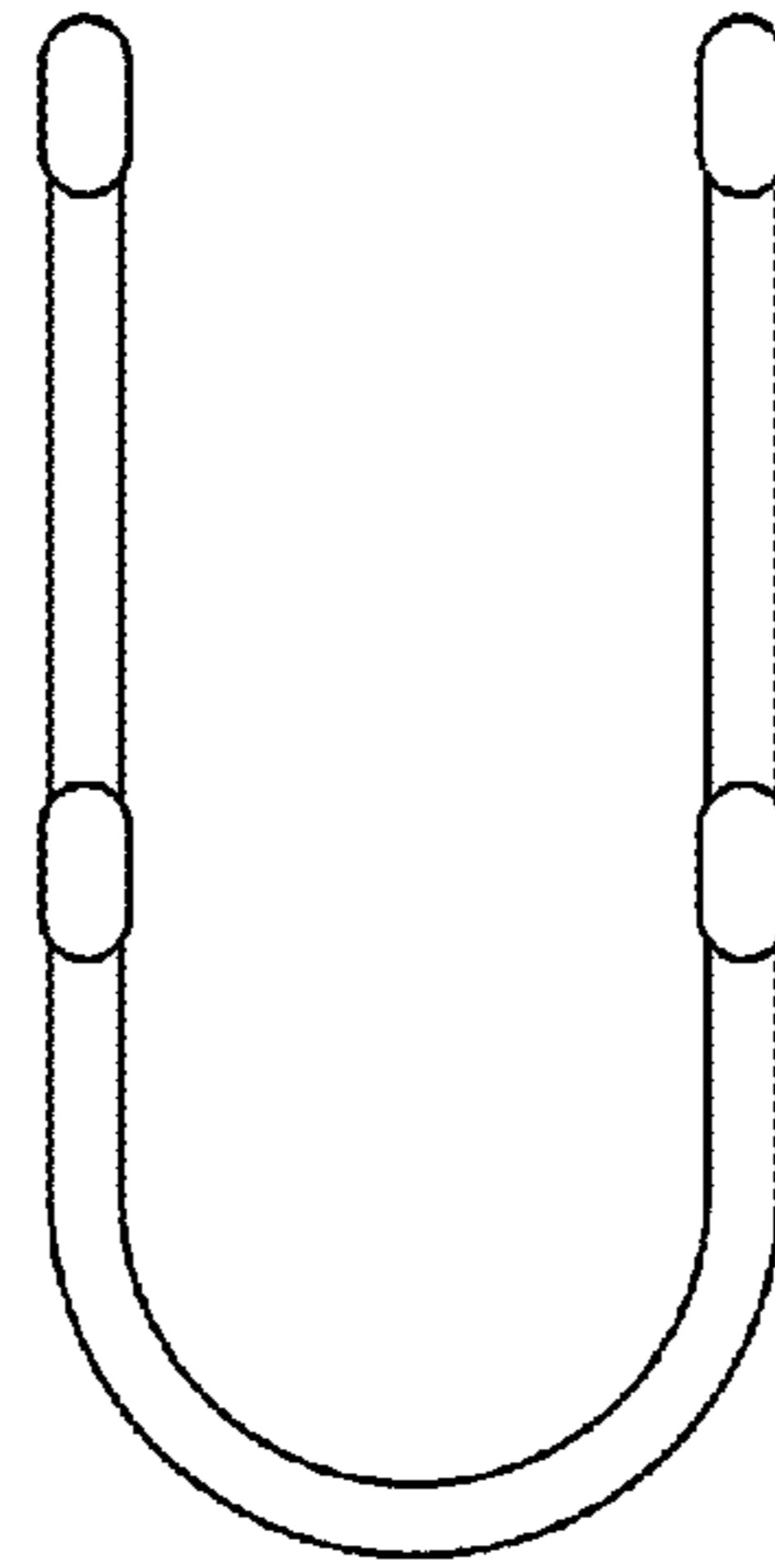


Fig.4

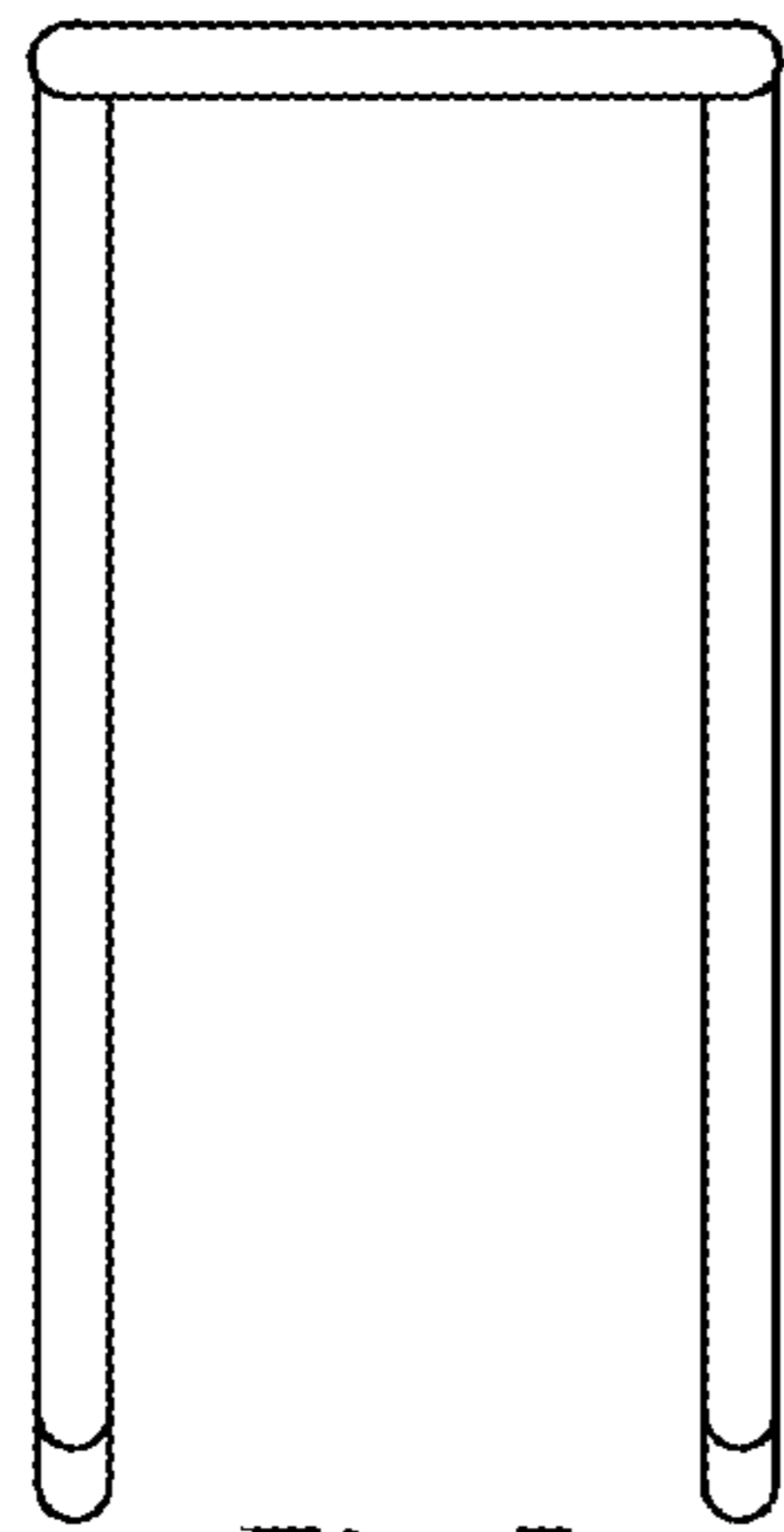


Fig.5

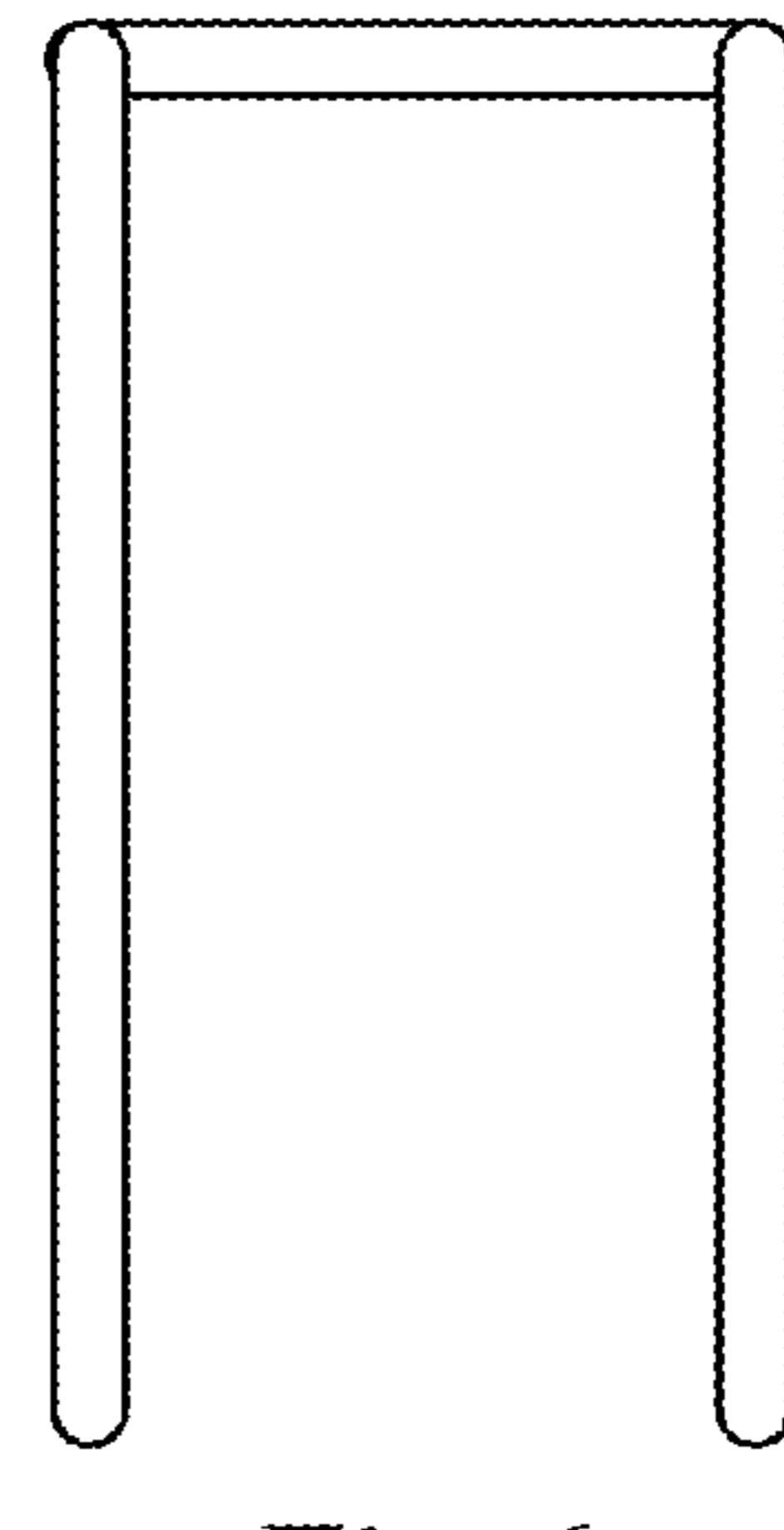


Fig.6

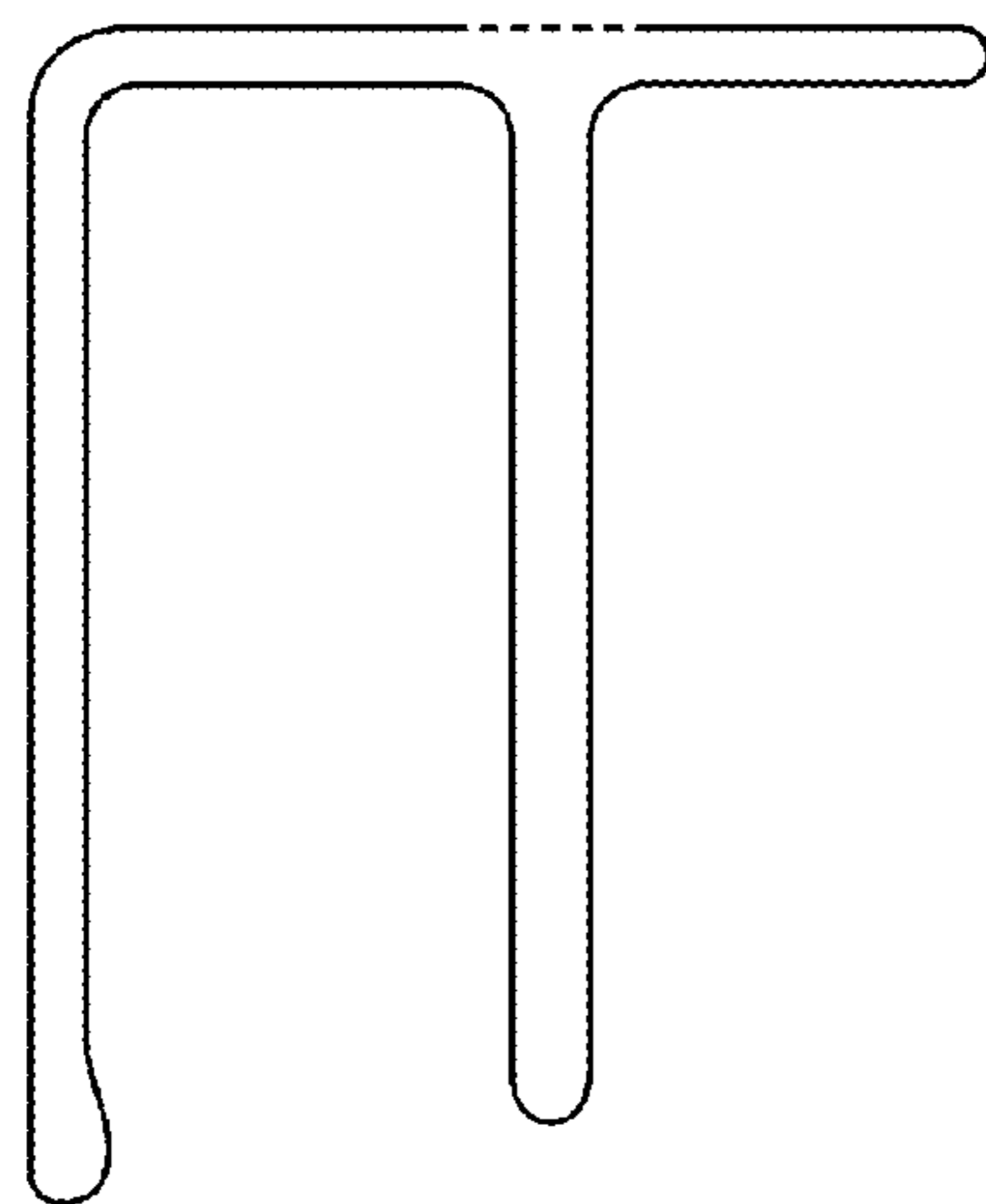


Fig.7

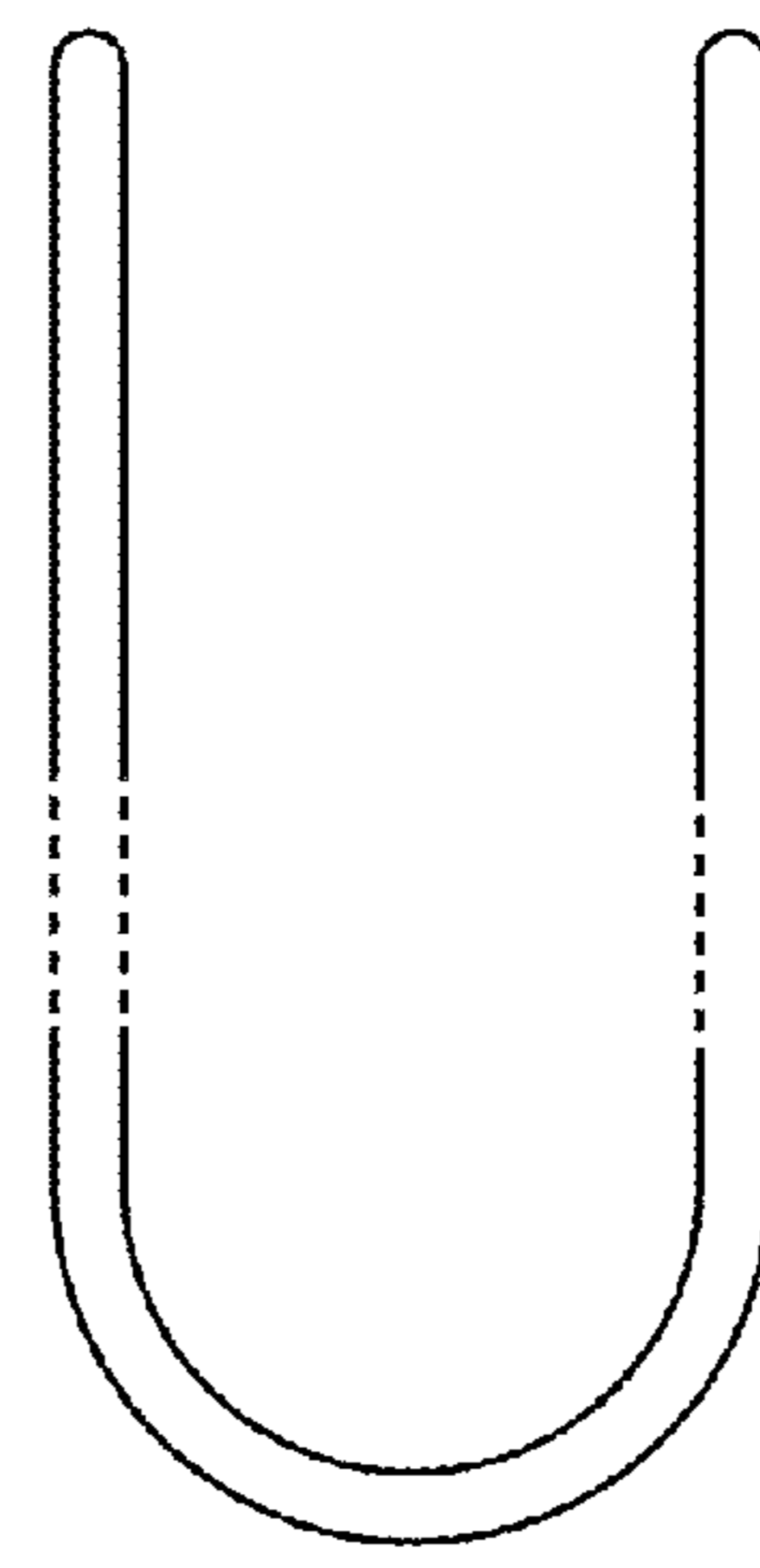


Fig.8

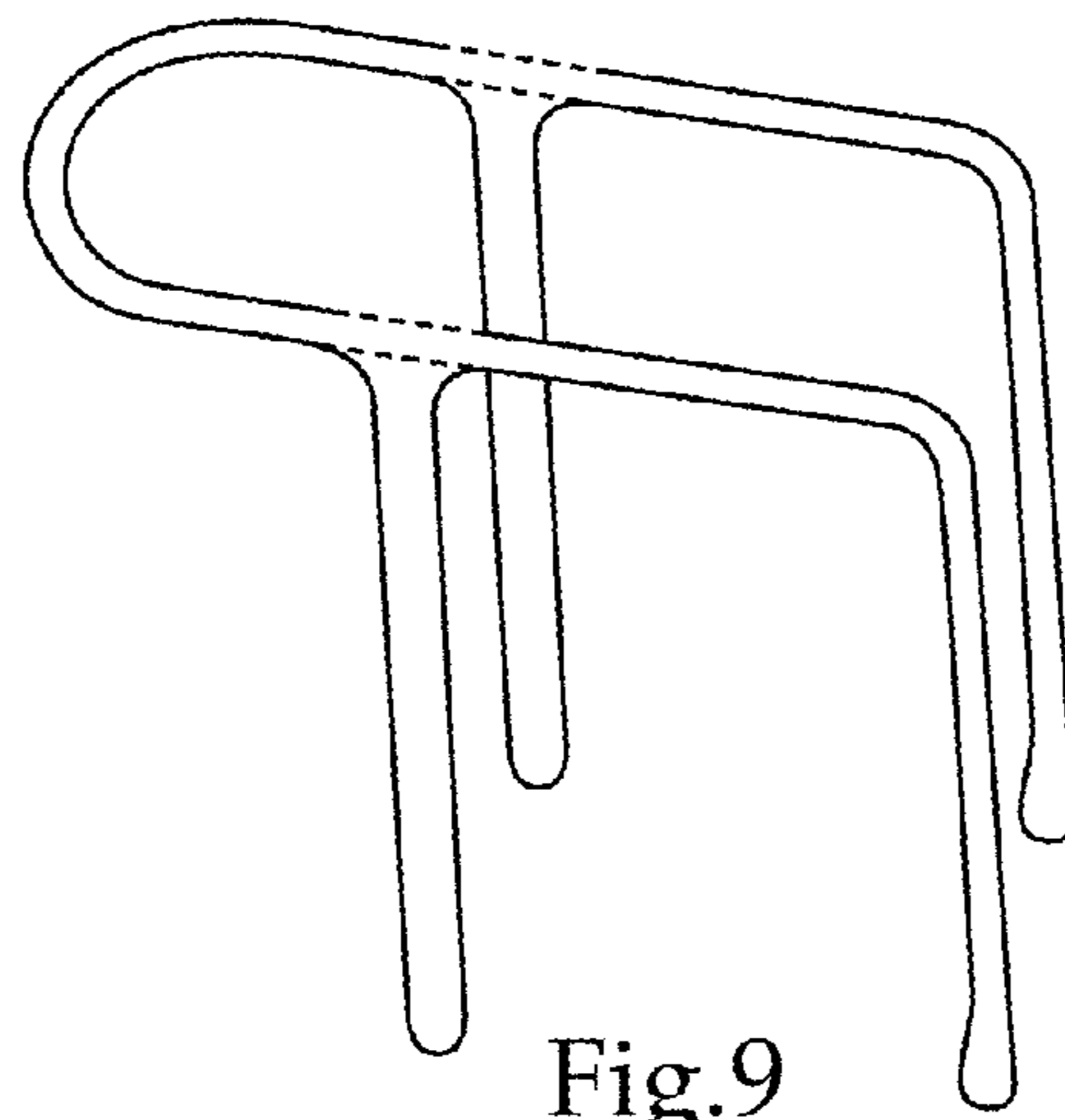


Fig.9

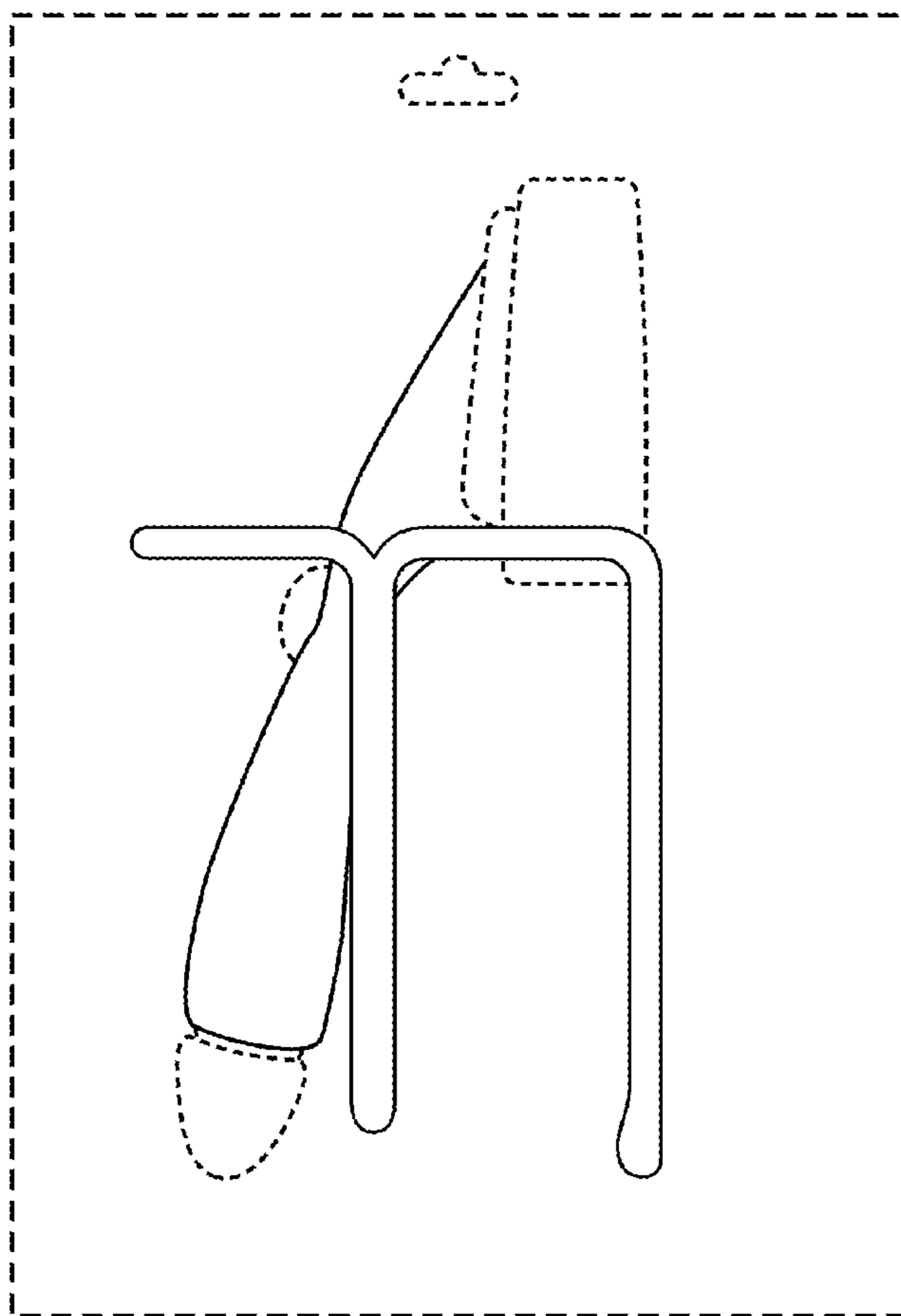


Fig.10

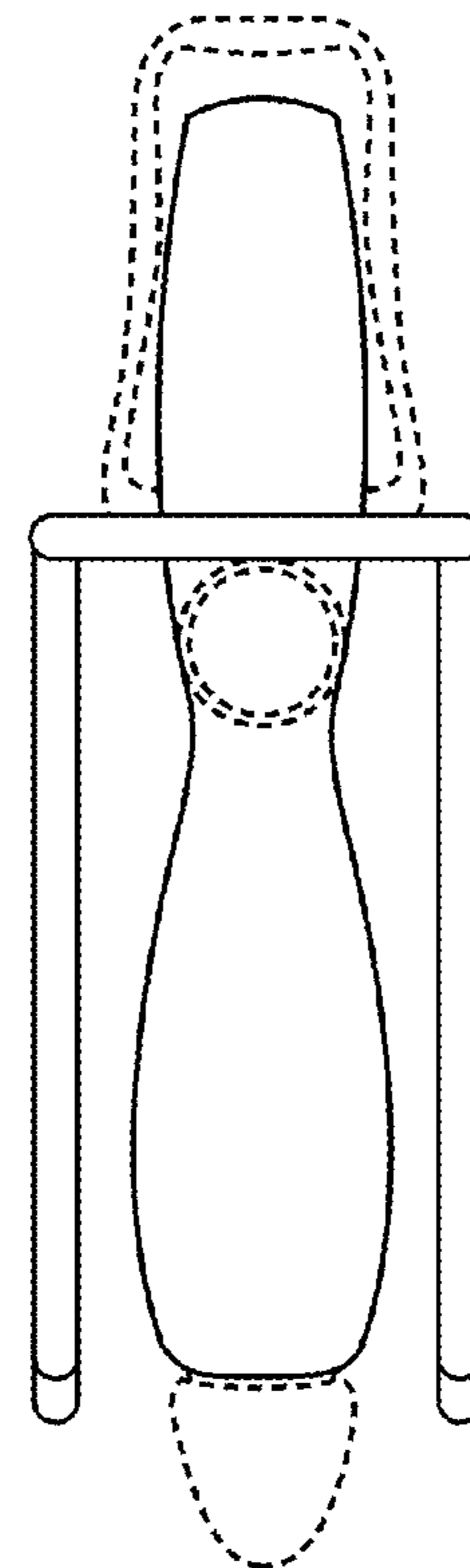


Fig.11

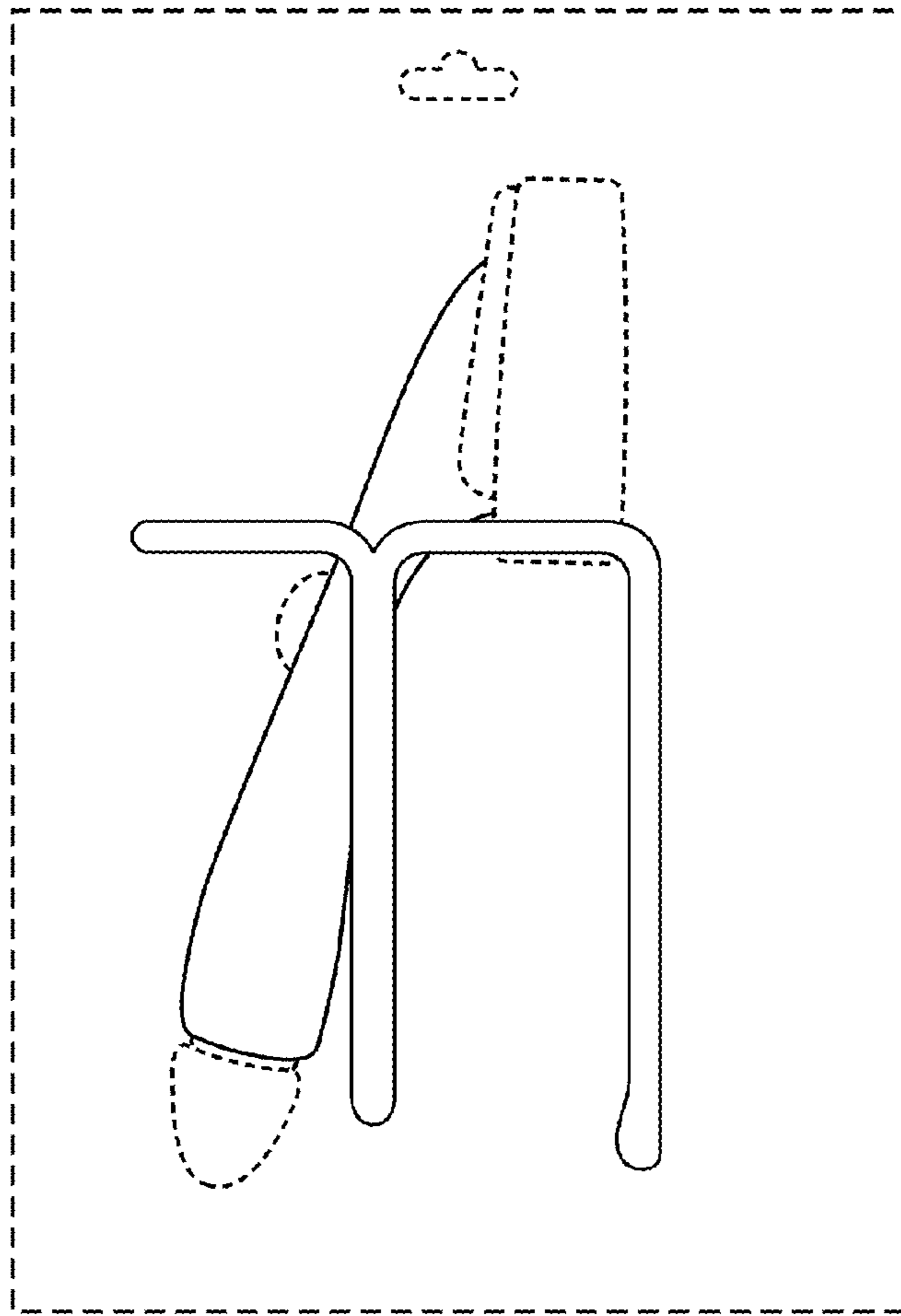


Fig.12

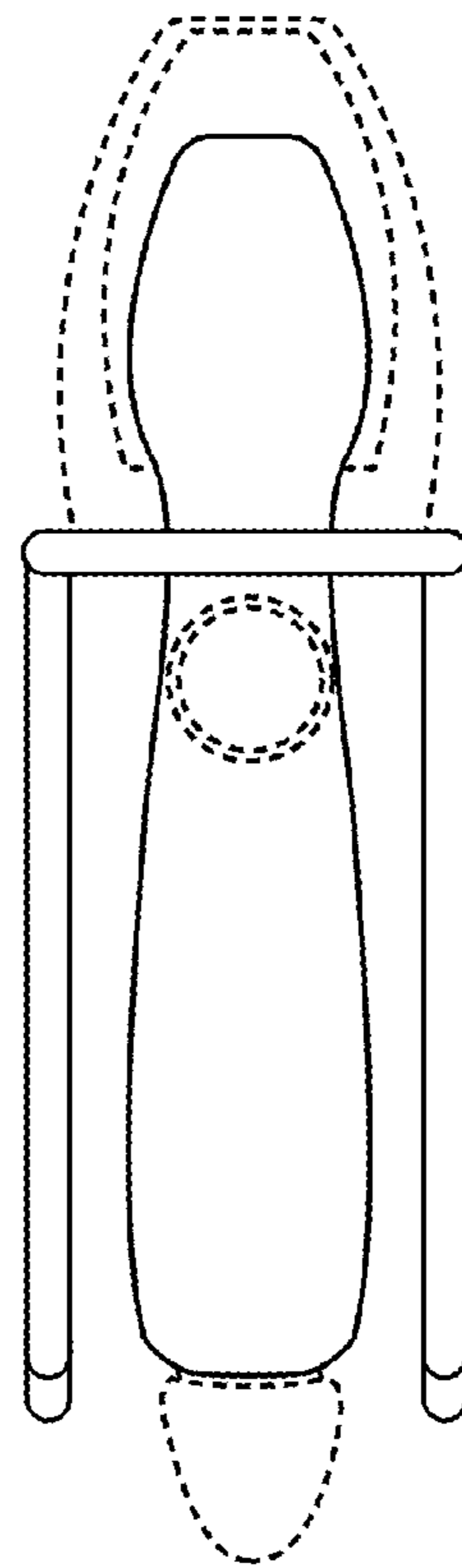


Fig.13