



US00D748354S

(12) **United States Design Patent**
Suriyapornpun

(10) **Patent No.:** **US D748,354 S**

(45) **Date of Patent:** **** Jan. 26, 2016**

(54) **APPARATUS FOR CLEANING A VEHICLE'S EVAPORATOR COIL**

(76) Inventor: **Chaiya Suriyapornpun**, Bangkok (TH)

(**) Term: **14 Years**

(21) Appl. No.: **29/392,059**

(22) Filed: **May 17, 2011**

(30) **Foreign Application Priority Data**

Nov. 19, 2010 (TH) 1002003291

(51) **LOC (10) Cl.** **15-05**

(52) **U.S. Cl.**
USPC **D32/4**

(58) **Field of Classification Search**
USPC D32/1, 4; D10/83, 96-97, 99, 100, 101;
134/45, 50, 53.55, 58 R, 61, 93, 95.1,
134/95.3, 96.1, 97.1, 98.1, 99.1, 99.2,
134/100.1, 103.2, 104.2, 105, 123, 129,
134/130, 131; 15/301-302, 312.1-312.2,
15/314, 318, 318.1, 345-346

CPC F28G 1/00

See application file for complete search history.

(56) **References Cited**

U.S. PATENT DOCUMENTS

1,553,813	A *	9/1925	Griffin	15/104.061
3,019,799	A *	2/1962	Douty	134/57 R
3,372,875	A *	3/1968	Torrey	239/129
3,467,279	A *	9/1969	Upton et al.	222/31
3,491,948	A *	1/1970	Alexander	239/127
3,575,348	A *	4/1971	MacKay	239/127
3,680,786	A *	8/1972	Levy	239/146
4,089,470	A *	5/1978	Strahman	239/304
4,193,386	A *	3/1980	Rossi	124/22
4,255,057	A *	3/1981	Williams	356/435
4,332,292	A *	6/1982	Garberick	165/95
4,809,539	A *	3/1989	Goodman	73/114.75
4,821,958	A *	4/1989	Shaffer	239/131

4,865,255	A *	9/1989	Luvisotto	239/149
5,186,240	A *	2/1993	Kenon et al.	165/95
5,279,357	A *	1/1994	Kenon et al.	165/95
5,421,900	A *	6/1995	Clontz	134/14
5,509,972	A *	4/1996	Akazawa et al.	134/26
D370,641	S *	6/1996	Quinones et al.	D10/83
5,579,726	A *	12/1996	Finucane	122/379
D397,629	S *	9/1998	Wewers	D10/96
6,978,793	B1 *	12/2005	Krueger	134/169 R
D562,169	S *	2/2008	Oshima et al.	D10/96
D587,611	S *	3/2009	Oshima et al.	D10/96
D602,795	S *	10/2009	Oshima	D10/96

(Continued)

Primary Examiner — T. Chase Nelson

(74) *Attorney, Agent, or Firm* — Carlson, Gaskey & Olds, P.C.

(57) **CLAIM**

I claim the ornamental design for an apparatus for cleaning a vehicle's evaporator coil, as shown and described.

DESCRIPTION

FIG. 1 is a front view of the apparatus for cleaning a vehicle's evaporator coil.

FIG. 2 is a rear view of the apparatus for cleaning a vehicle's evaporator coil.

FIG. 3 is a side view of the apparatus for cleaning a vehicle's evaporator coil.

FIG. 4 is a side view of the apparatus for cleaning a vehicle's evaporator coil.

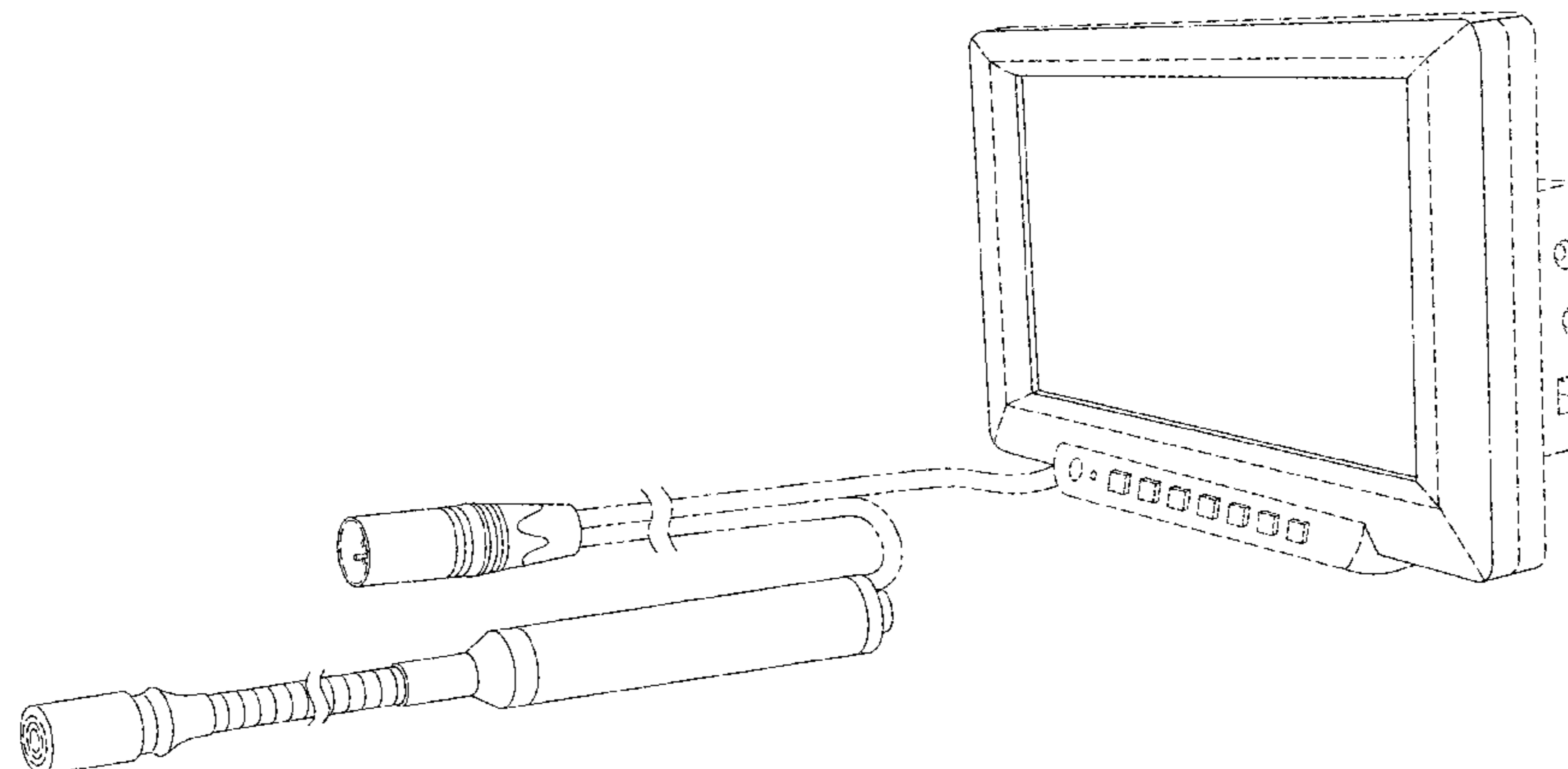
FIG. 5 is a top view of the apparatus for cleaning a vehicle's evaporator coil.

FIG. 6 is a bottom view of the apparatus for cleaning a vehicle's evaporator coil; and,

FIG. 7 is a perspective view of the apparatus for cleaning a vehicle's evaporator coil.

The broken-away symbols in the drawings, one on a pair of broken line cords and one on a claimed element, indicate that any portion of the article beyond what is shown forms no part of the claimed design.

1 Claim, 7 Drawing Sheets



US D748,354 S

Page 2

(56)

References Cited

U.S. PATENT DOCUMENTS

	D615,893 S *	5/2010	Beattie	D10/96	
	7,841,351 B1 *	11/2010	Kane et al.	134/172	
	2005/0139244 A1 *	6/2005	Boke	134/172	
7,624,470 B2 *	12/2009	Heyman	15/301		
D609,591 S *	2/2010	Oshima et al.	D10/96		* cited by examiner

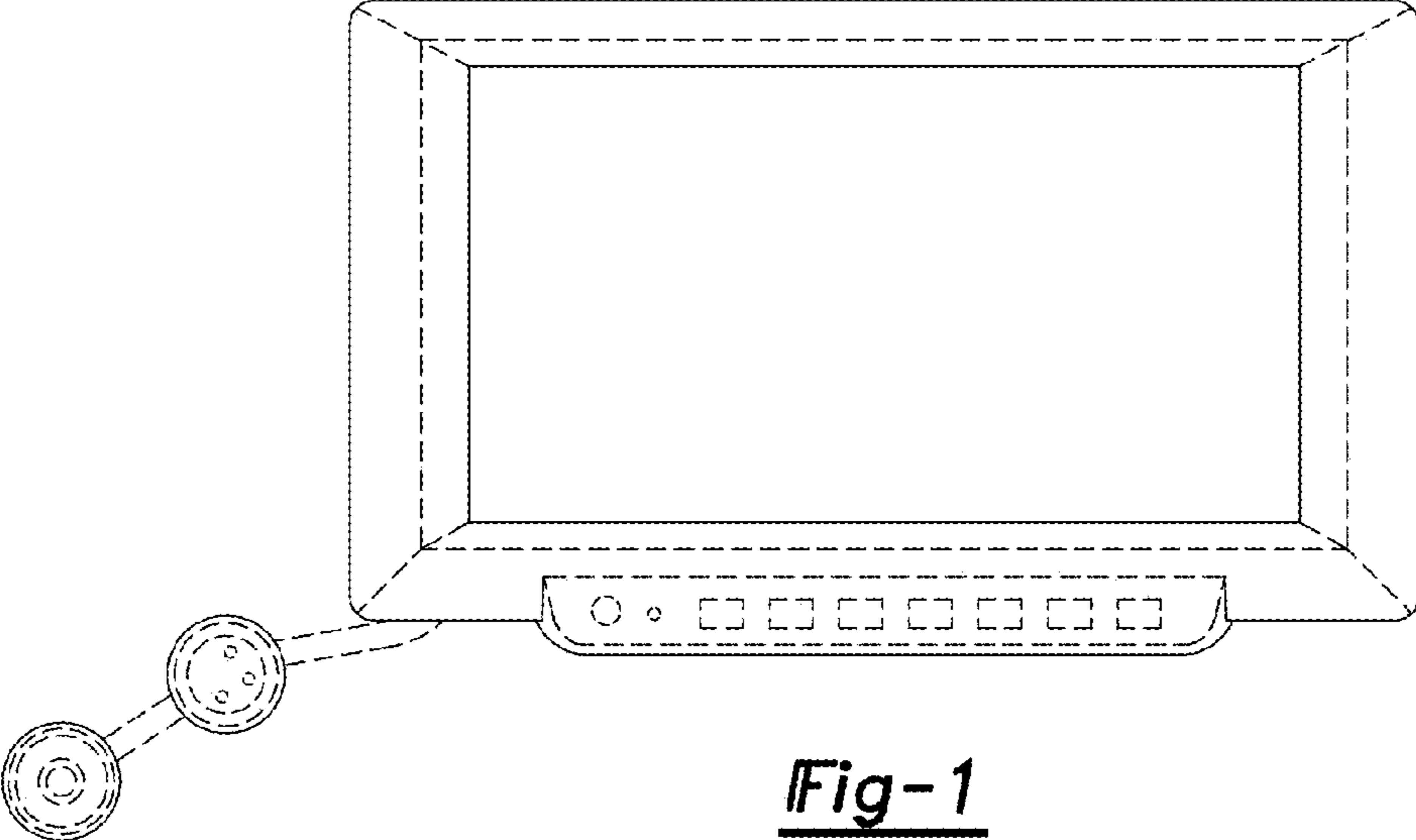


Fig-1

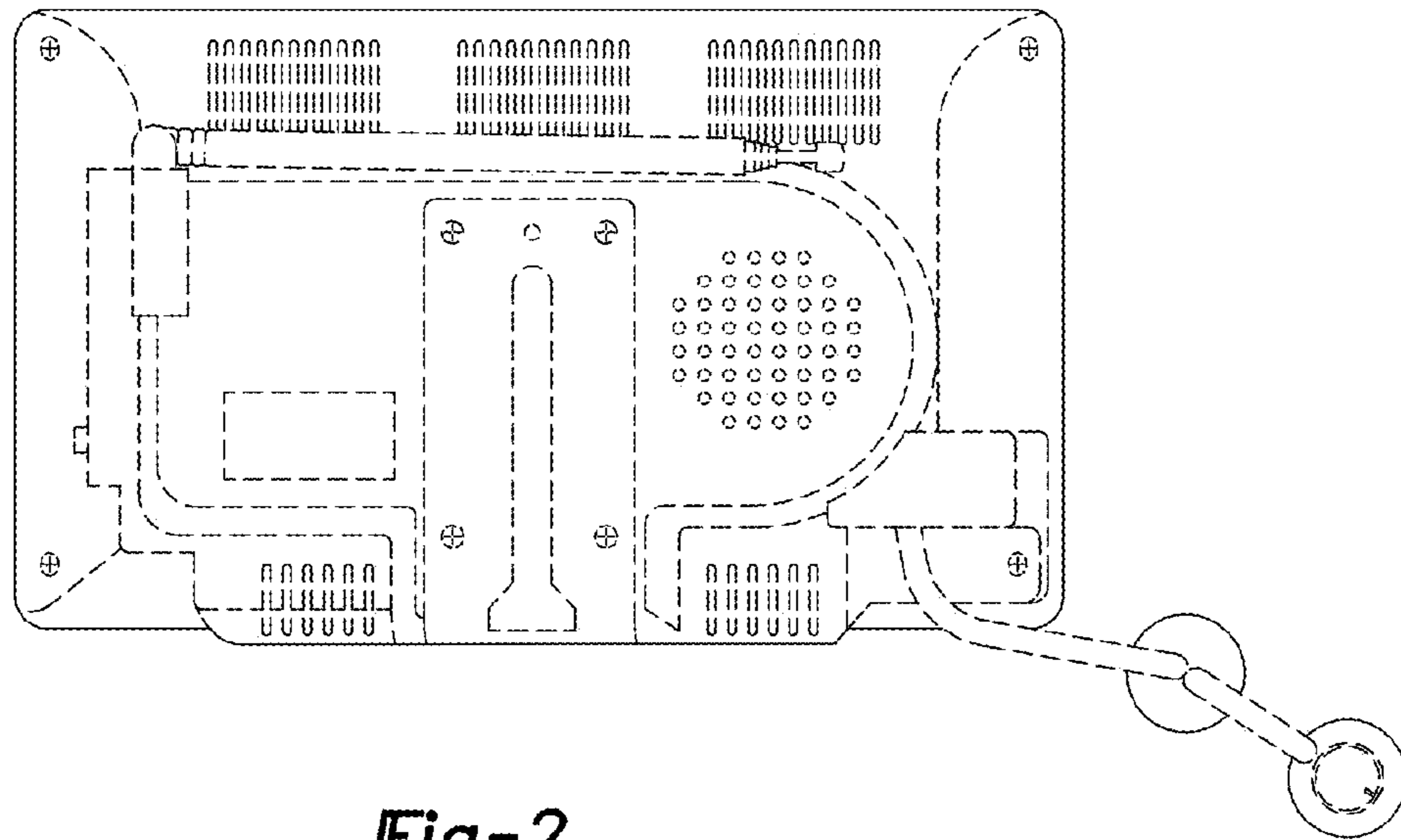


Fig-2

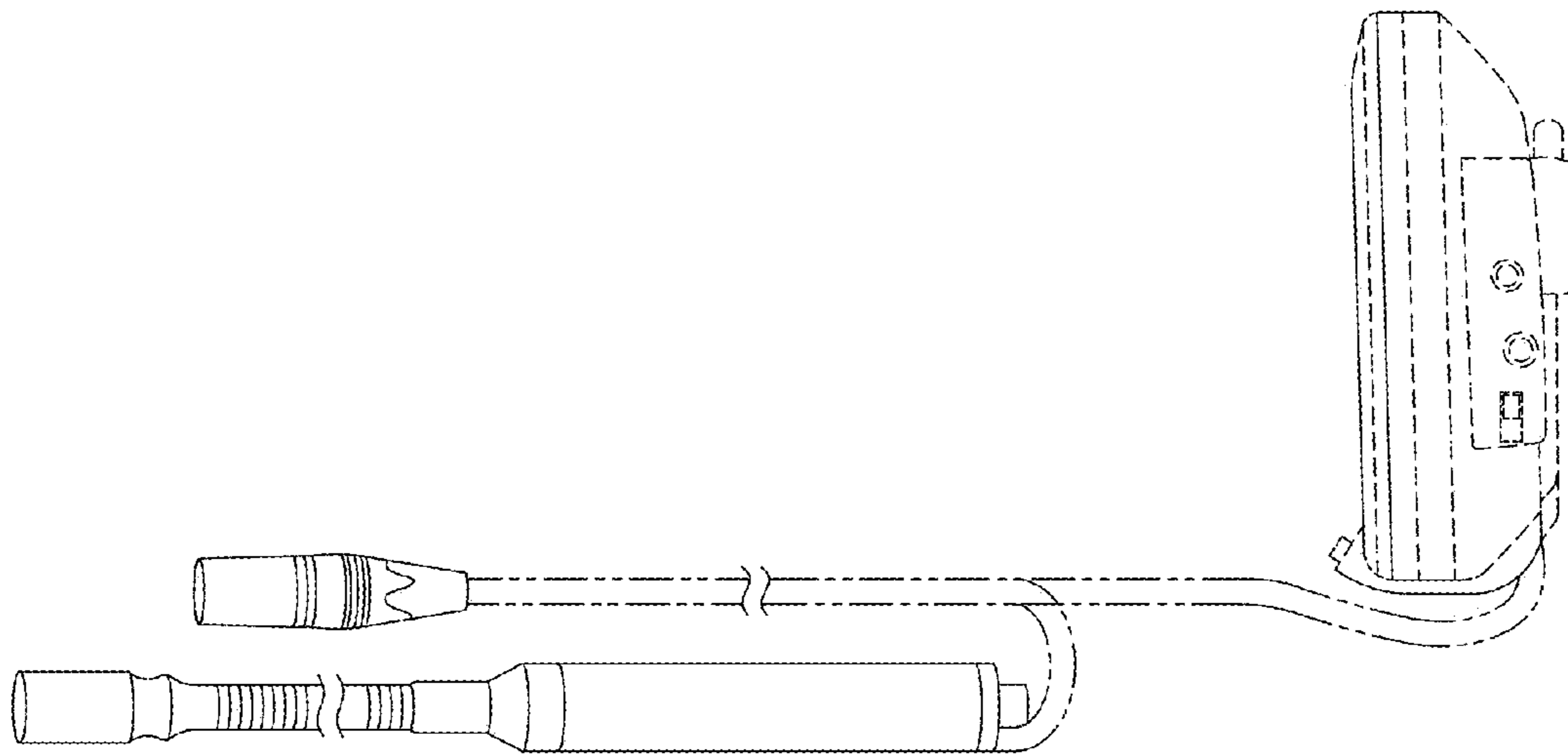


Fig-3

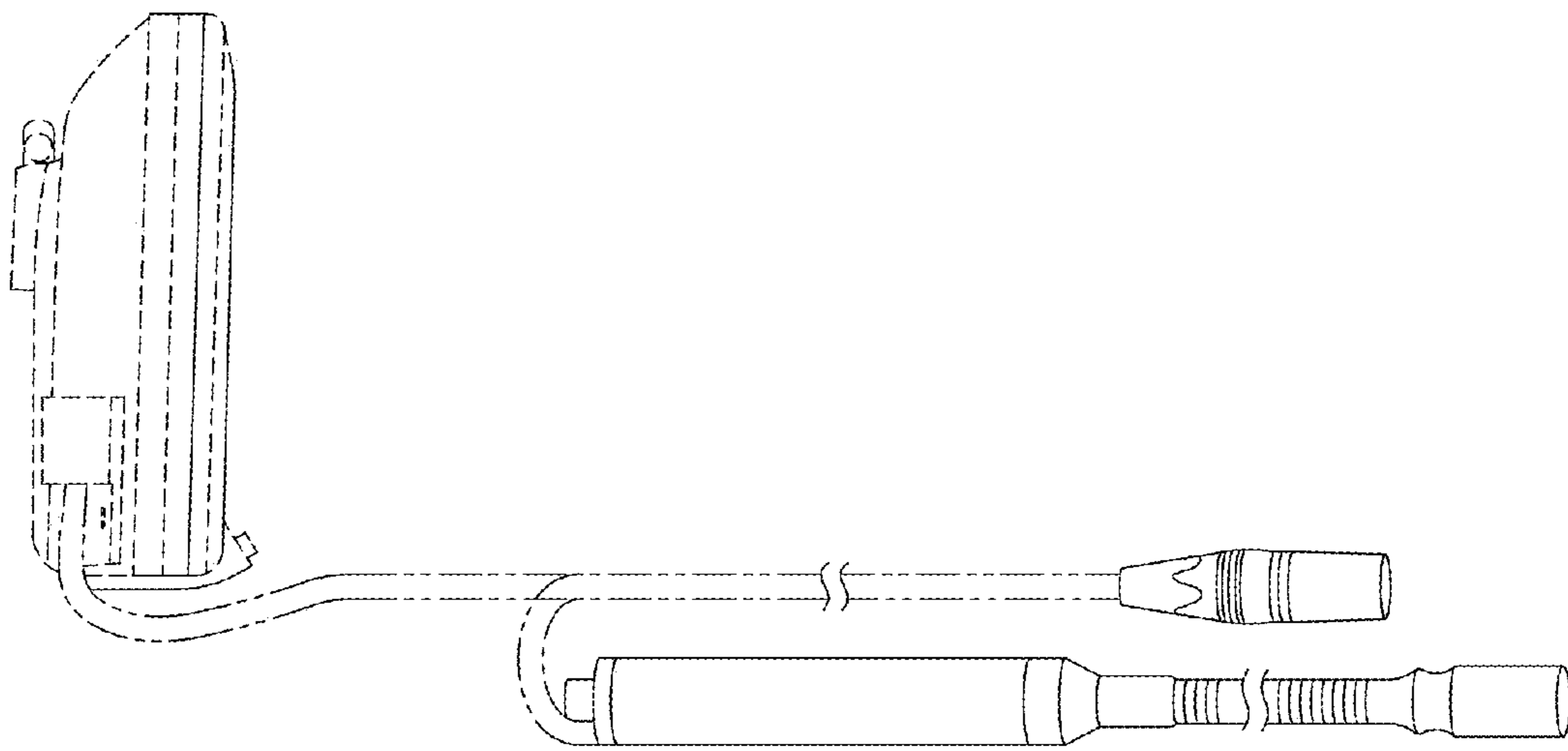


Fig-4

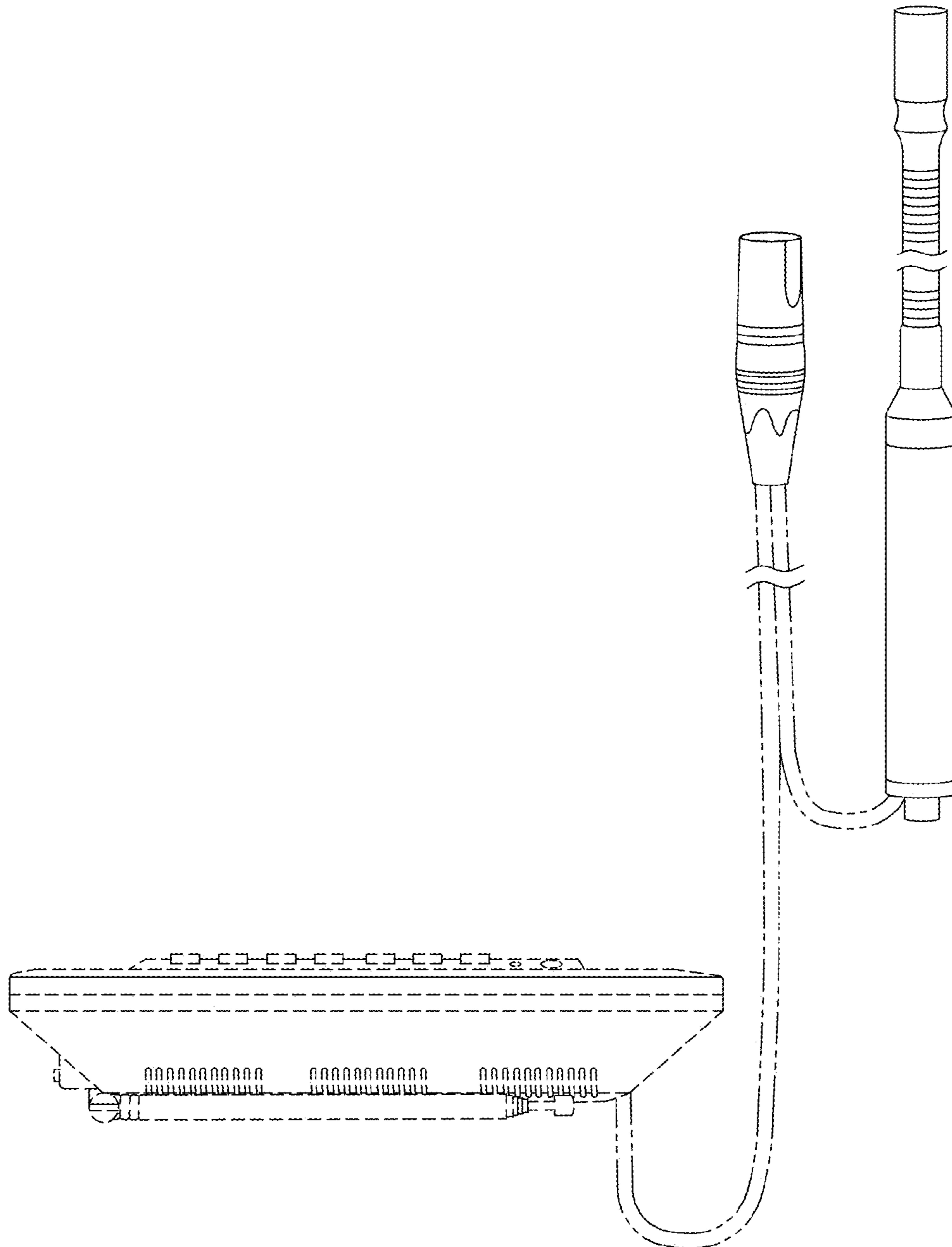


Fig-5

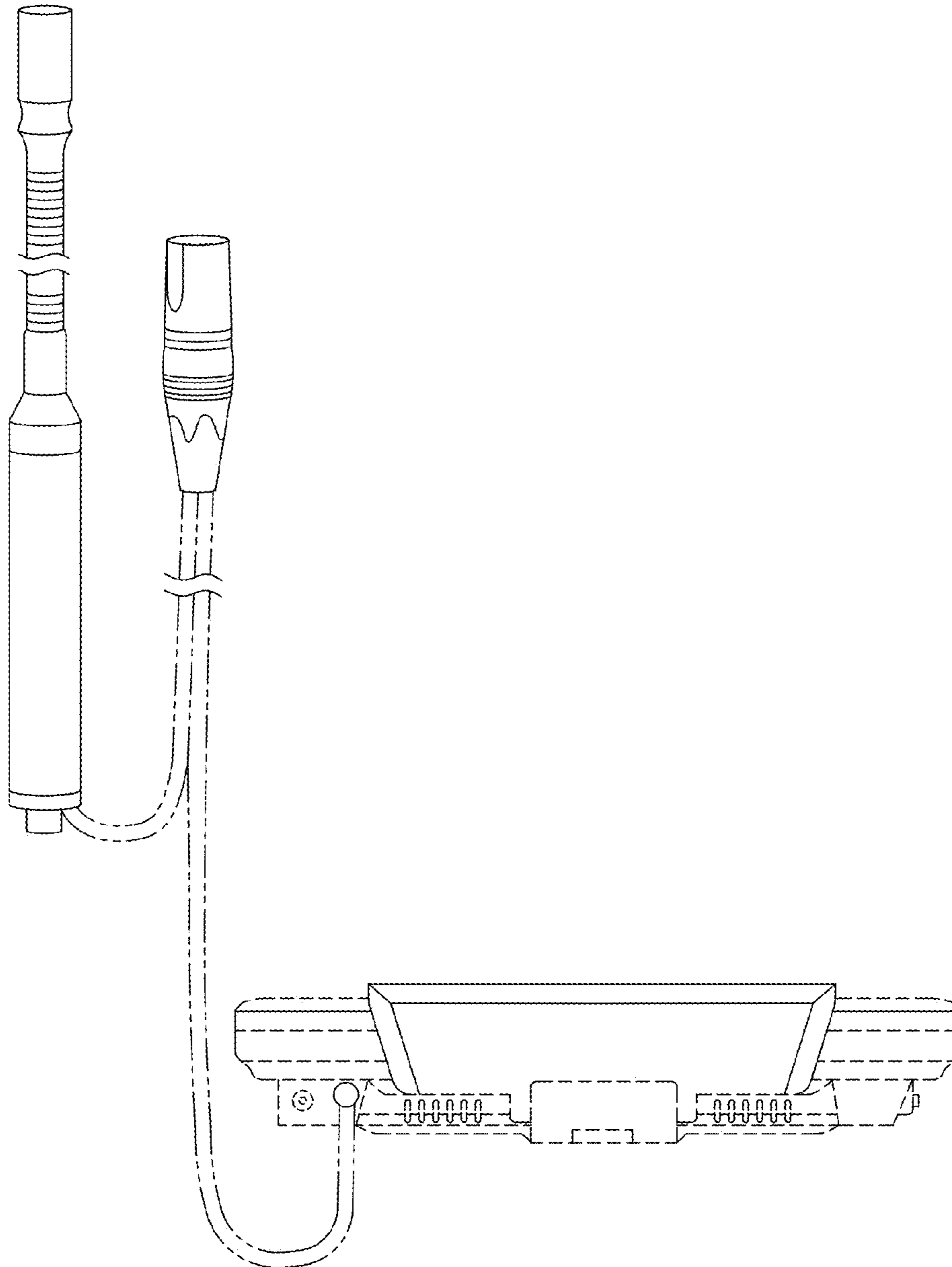


Fig-6

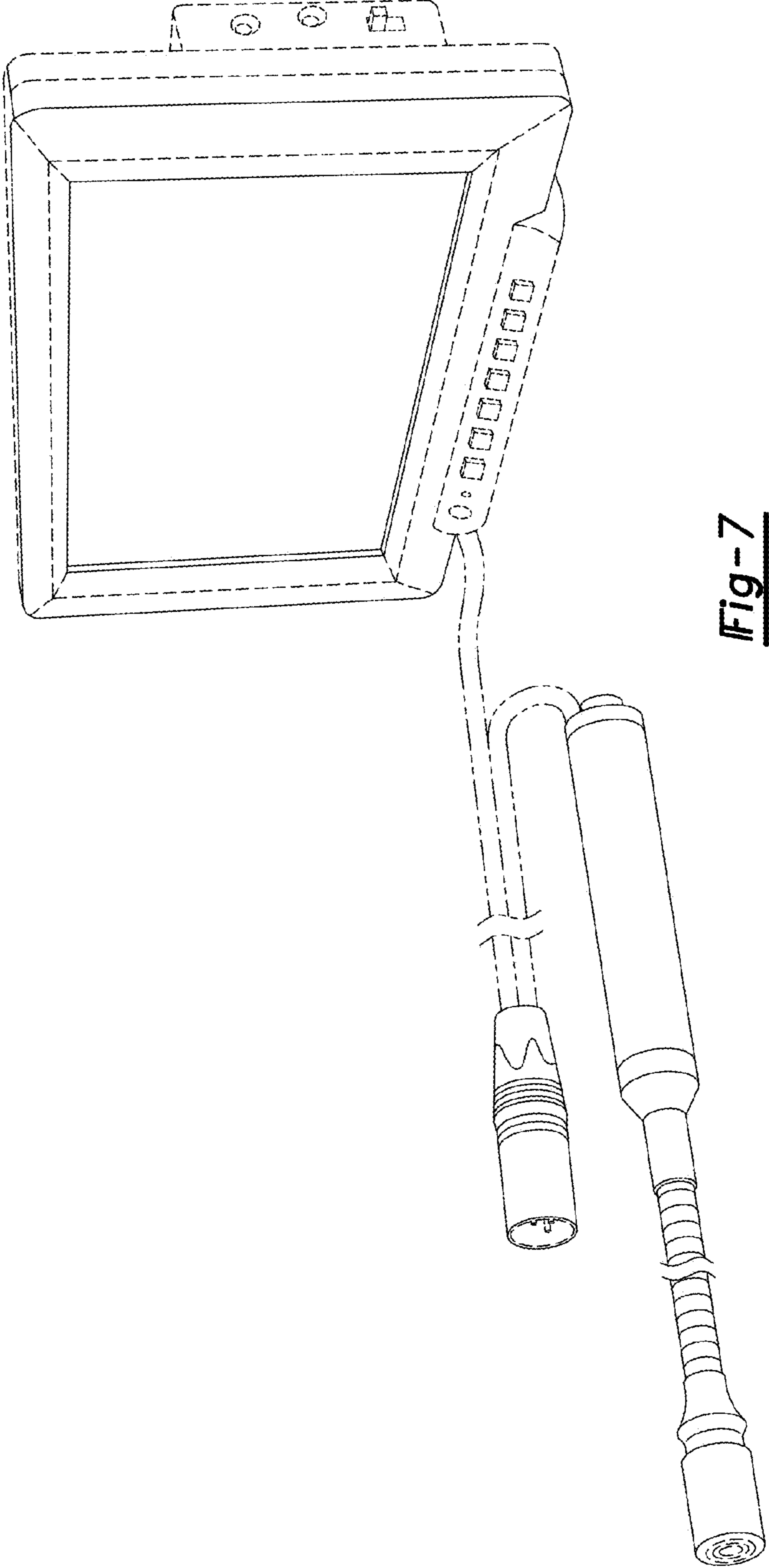


Fig-7