



US00D748352S

(12) **United States Design Patent**
Baldwin et al.

(10) **Patent No.:** **US D748,352 S**
(45) **Date of Patent:** **** Jan. 26, 2016**

- (54) **SPRAYER FOR DISHWASHER**
- (71) Applicant: **Whirlpool Corporation**, Benton Harbor, MI (US)
- (72) Inventors: **Mark W. Baldwin**, Saint Joseph, MI (US); **Michael S. Seeley**, South Haven, MI (US); **Ameresh B. Viswanathan**, Saint Joseph, MI (US)
- (73) Assignee: **Whirlpool Corporation**, Benton Harbor, MI (US)
- (**) Term: **14 Years**
- (21) Appl. No.: **29/476,271**
- (22) Filed: **Dec. 12, 2013**
- (51) **LOC (10) Cl.** **15-05**
- (52) **U.S. Cl.**
USPC **D32/3**
- (58) **Field of Classification Search**
USPC D32/1-3, 25-27; 134/56 D, 93, 94.1, 134/95.1, 98.1, 200; 366/137.1, 315
CPC A47L 15/248
See application file for complete search history.

(56) **References Cited**

U.S. PATENT DOCUMENTS

1,524,547	A *	1/1925	Giacobbe	210/472
2,872,076	A *	2/1959	Bloom	222/651
2,880,740	A *	4/1959	Peglow	134/188
3,334,750	A *	8/1967	Ullman, Jr.	210/239
3,932,966	A *	1/1976	Stern	451/488
D274,853	S *	7/1984	Withers et al.	D32/25
5,167,248	A *	12/1992	Tuller	137/1
5,570,145	A *	10/1996	Soneda	396/547
6,122,009	A *	9/2000	Ueda	348/335
D440,276	S *	4/2001	Slothower	D23/213
D487,601	S *	3/2004	Gibis et al.	D32/3
D533,200	S *	12/2006	Braunschweig et al.	D15/126

D643,509	S *	8/2011	O'Brien et al.	D23/213
D645,065	S *	9/2011	Braunschweig et al.	D15/126
D718,007	S *	11/2014	Baldwin et al.	D32/3

(Continued)

FOREIGN PATENT DOCUMENTS

KR 300483812-0001 * 3/2008

OTHER PUBLICATIONS

Earth Massage Showerhead Finish: Chrome, Flow Rate: 1.75 GPM—Fixed Showerheads—Amazon.com, review date Mar. 11, 2010, online, site visited Apr. 13, 2015, http://www.amazon.com/Earth-Massage-Showerhead-Finish-Chrome/dp/B002W2UP2M/ref=sr_1_55?s=kitchen-bath&ie=UTF8&qid=1428972823&sr=...

(Continued)

Primary Examiner — John Windmuller
Assistant Examiner — John R Yeh

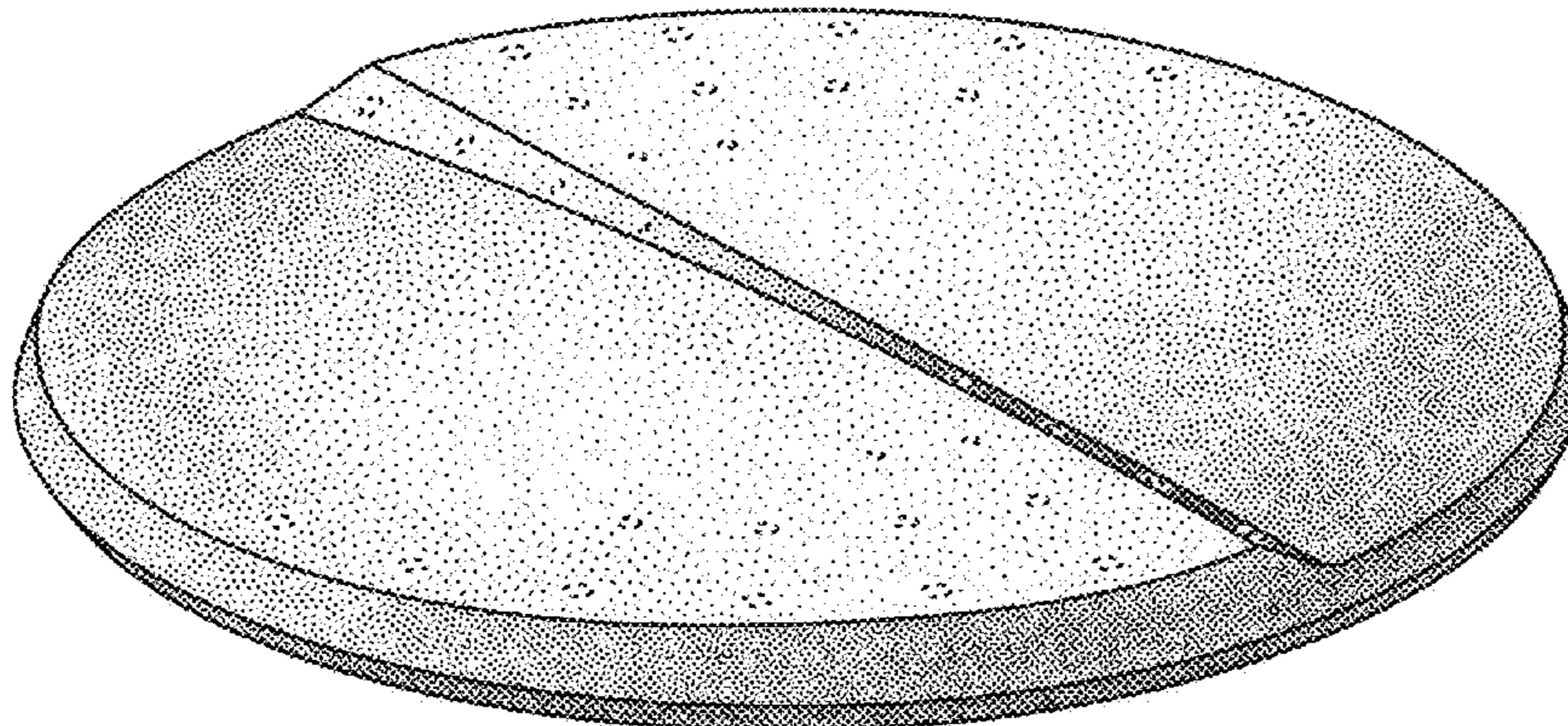
(57) **CLAIM**

The ornamental design for a sprayer of a dishwasher, as shown and described.

DESCRIPTION

FIG. 1 is a perspective view of a first embodiment of a sprayer showing our new design, which is illustrated in an exemplary location in a dishwasher;
FIG. 2 is a perspective view of the first embodiment of the sprayer from FIG. 1;
FIG. 3 is a front view of the sprayer from FIG. 2, the rear view being a mirror image thereof;
FIG. 4 is a right side view of the sprayer from FIG. 2, the left side view being a mirror image thereof; and,
FIG. 5 is a top view of the sprayer from FIG. 2.
The broken lines in the figures form no part of the claimed design.

1 Claim, 3 Drawing Sheets



(56)

References Cited

U.S. PATENT DOCUMENTS

D720,509 S * 12/2014 Baldwin et al. D32/3
2003/0003856 A1 * 1/2003 Swei 451/526
2004/0072510 A1 * 4/2004 Kinoshita et al. 451/56
2005/0051201 A1 * 3/2005 Ashton et al. 134/104.1
2005/0268948 A1 * 12/2005 Jeong 134/104.4
2007/0295370 A1 * 12/2007 Jerg et al. 134/56 D
2008/0072936 A1 * 3/2008 Pyo et al. 134/104.4
2009/0101182 A1 * 4/2009 Buesing et al. 134/95.3

OTHER PUBLICATIONS

Amazon.com : Watering Can Rosette : Watering Can Spout : Patio,
Lawn & Garden, review date Jun. 2, 2011, online, site visited Apr. 13,
2015, http://www.amazon.com/Dover-Parkersburg-Watering-Can-Rosette/dp/B00002N857/ref=sr_1_5?ie=UTF8&qid=1428972382&sr=8-5&keywords=wateri...*

* cited by examiner

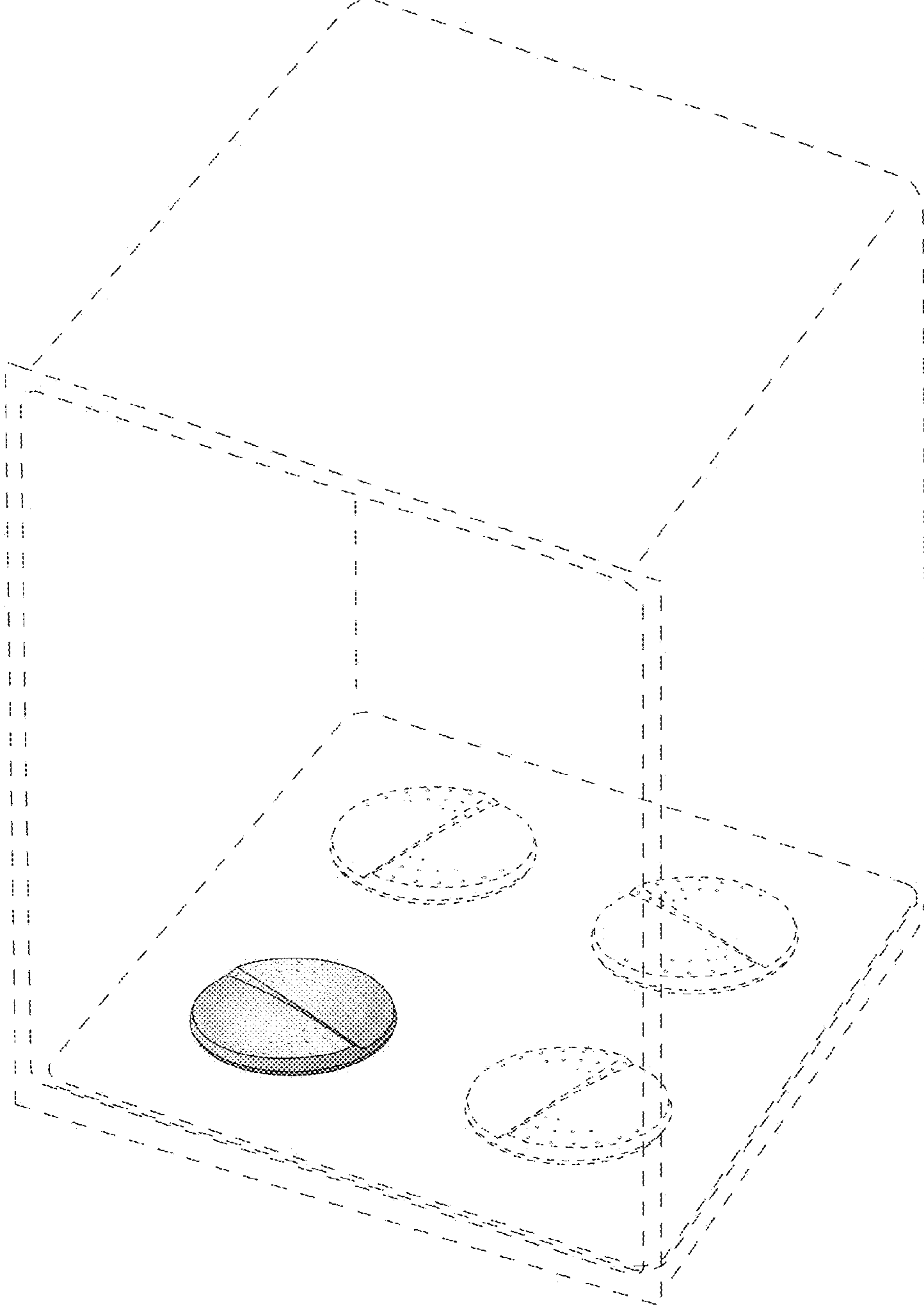


FIG. 1

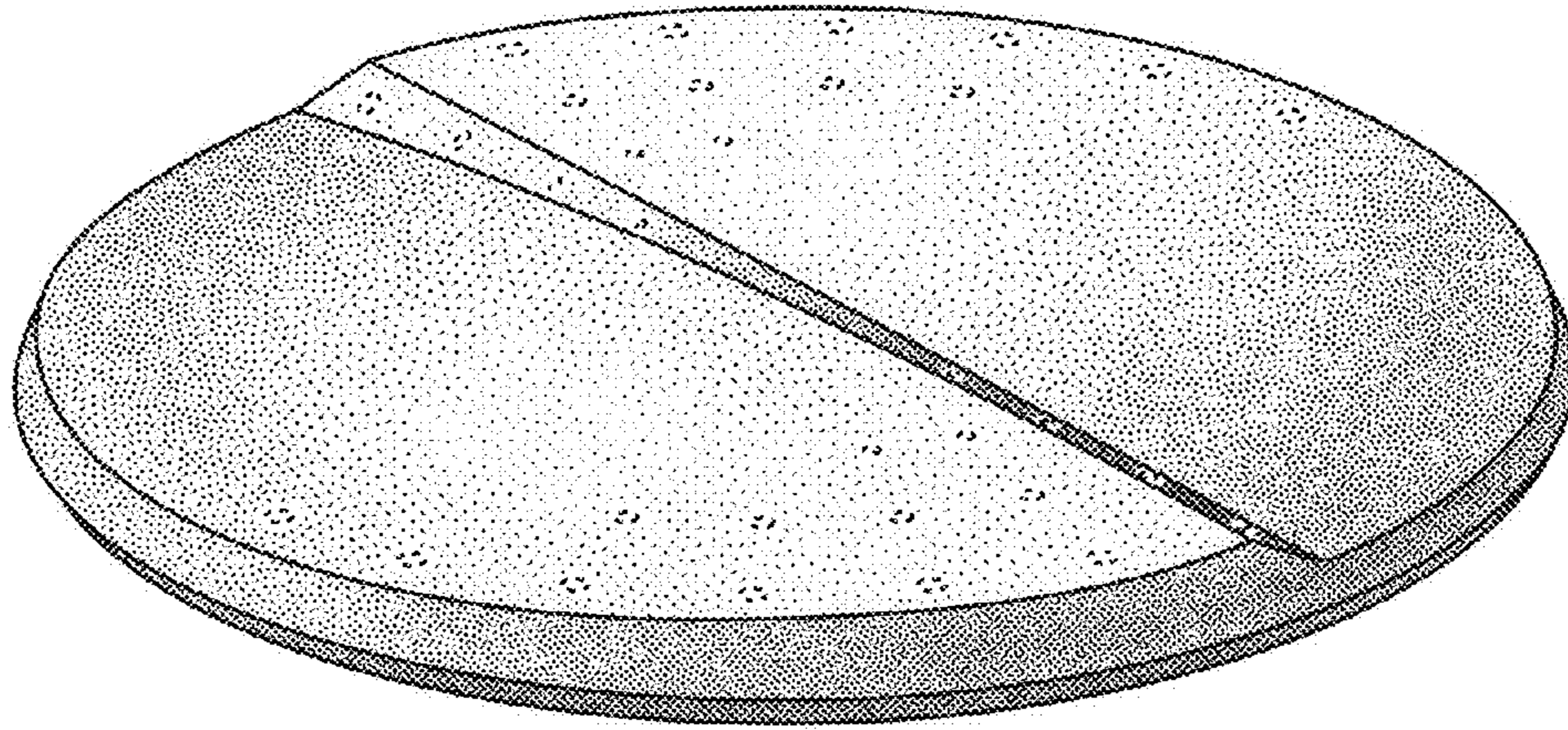


FIG. 2

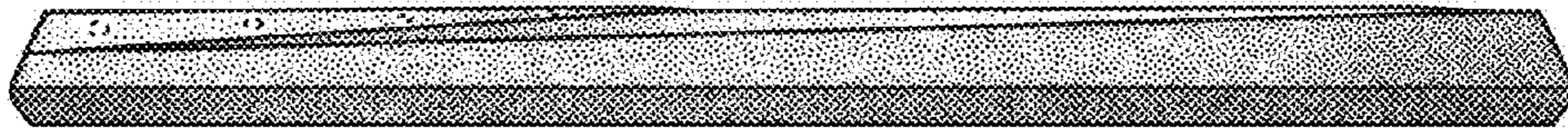


FIG. 3



FIG. 4

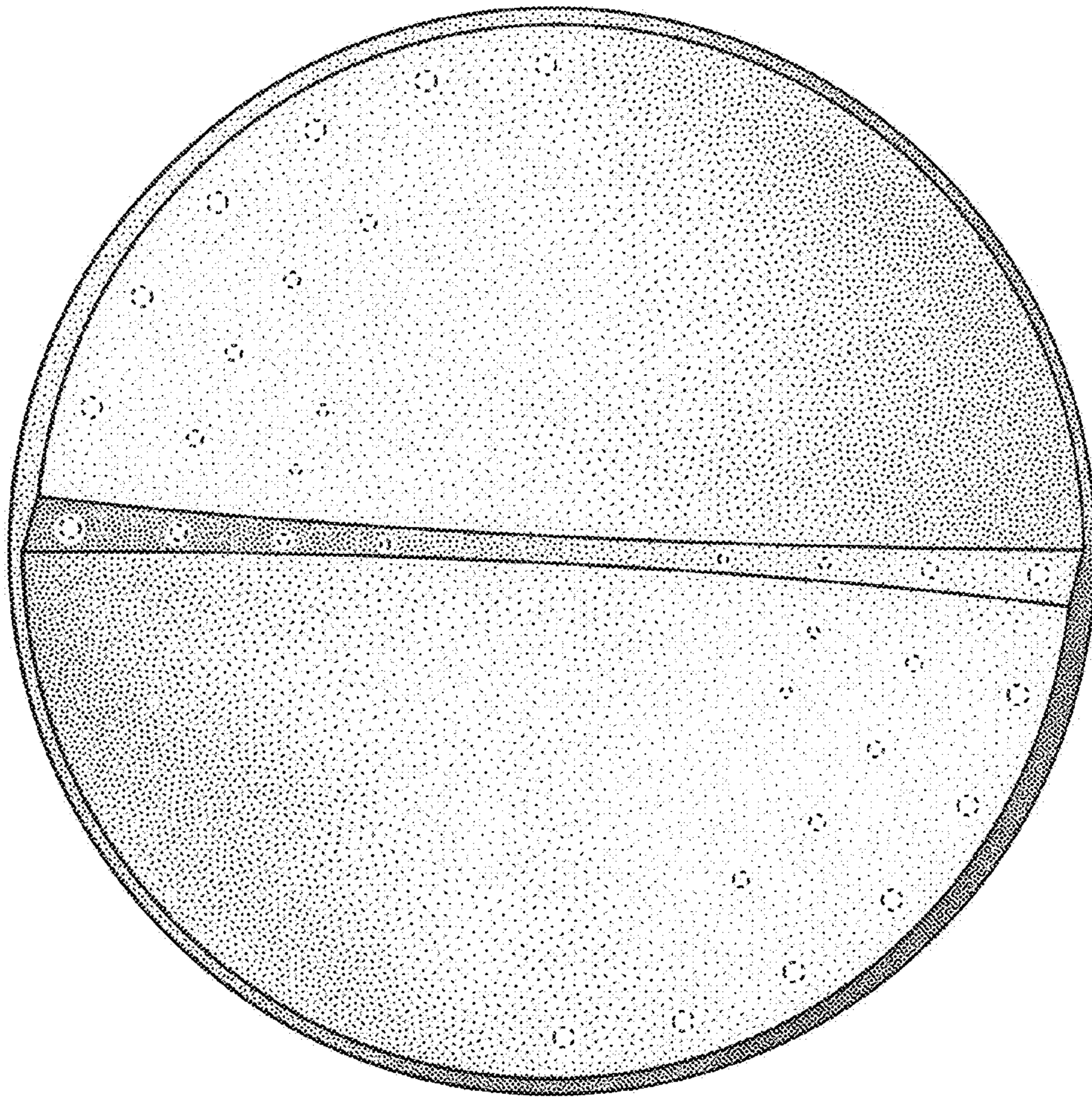


FIG. 5