



US00D748349S

(12) **United States Design Patent**  
**Hussey et al.**

(10) **Patent No.:** **US D748,349 S**  
(45) **Date of Patent:** **\*\* Jan. 26, 2016**

- (54) **AUTOMATED BALL-THROWING APPARATUS**
- (71) Applicant: **Lob-ster, Inc.**, North Hollywood, CA (US)
- (72) Inventors: **Lance Hussey**, Simi Valley, CA (US);  
**Shu Shuo Wu**, Westlake Village, CA (US); **Ravi Sawhney**, Malibu, CA (US);  
**Kurt Botsai**, Thousand Oaks, CA (US)
- (73) Assignee: **Lob-ster, Inc.**, North Hollywood, CA (US)
- (\*\*) Term: **14 Years**
- (21) Appl. No.: **29/490,256**
- (22) Filed: **May 8, 2014**
- (51) **LOC (10) Cl.** ..... **30-99**
- (52) **U.S. Cl.**  
USPC ..... **D30/160**
- (58) **Field of Classification Search**  
USPC ..... D30/160; D21/567, 720, 722; 119/702,  
119/706-711; 124/16, 54, 78  
CPC ..... A01K 1/10; A01K 15/00; A01K 15/02;  
A01K 15/025; A63B 7/00; A63B 65/10;  
A63B 65/12; A63B 69/40; A63B 69/406;  
A63H 27/00; B68B 1/00; F41B 3/03  
See application file for complete search history.

(56) **References Cited**

U.S. PATENT DOCUMENTS

3,611,996	A *	10/1971	Wegner	119/707
4,267,799	A *	5/1981	Bacon	119/707
D294,411	S *	2/1988	Merriman	D30/160
4,865,318	A *	9/1989	Lehmann et al.	124/16
D312,288	S *	11/1990	Jefferson	D21/720

4,995,374	A *	2/1991	Black	124/54
D340,491	S *	10/1993	Nass	D21/720
5,529,016	A *	6/1996	Lonsway	119/707
D373,397	S *	9/1996	DeBardelaben	D21/720
D391,332	S *	2/1998	Williams	D21/720
5,749,797	A *	5/1998	Sunseri et al.	473/451
5,911,214	A *	6/1999	Andrews	124/16
6,176,230	B1 *	1/2001	Thompson	124/16
D456,866	S *	5/2002	Turpault et al.	D21/720
7,114,465	B1 *	10/2006	Winter	119/707
7,270,080	B1 *	9/2007	Kane	119/702
D567,316	S *	4/2008	Sabin et al.	D21/720
D641,437	S *	7/2011	Nugent	D21/722
8,151,782	B2 *	4/2012	Huang	124/16
8,960,176	B2 *	2/2015	Baumel	124/78
9,010,309	B2 *	4/2015	Lewis et al.	124/78
2013/0228138	A1 *	9/2013	Hamill et al.	119/707

\* cited by examiner

*Primary Examiner* — Cathy Anne MacCormac

(74) *Attorney, Agent, or Firm* — Lerner, David, Littenberg, Krumholz & Mentlik, LLP

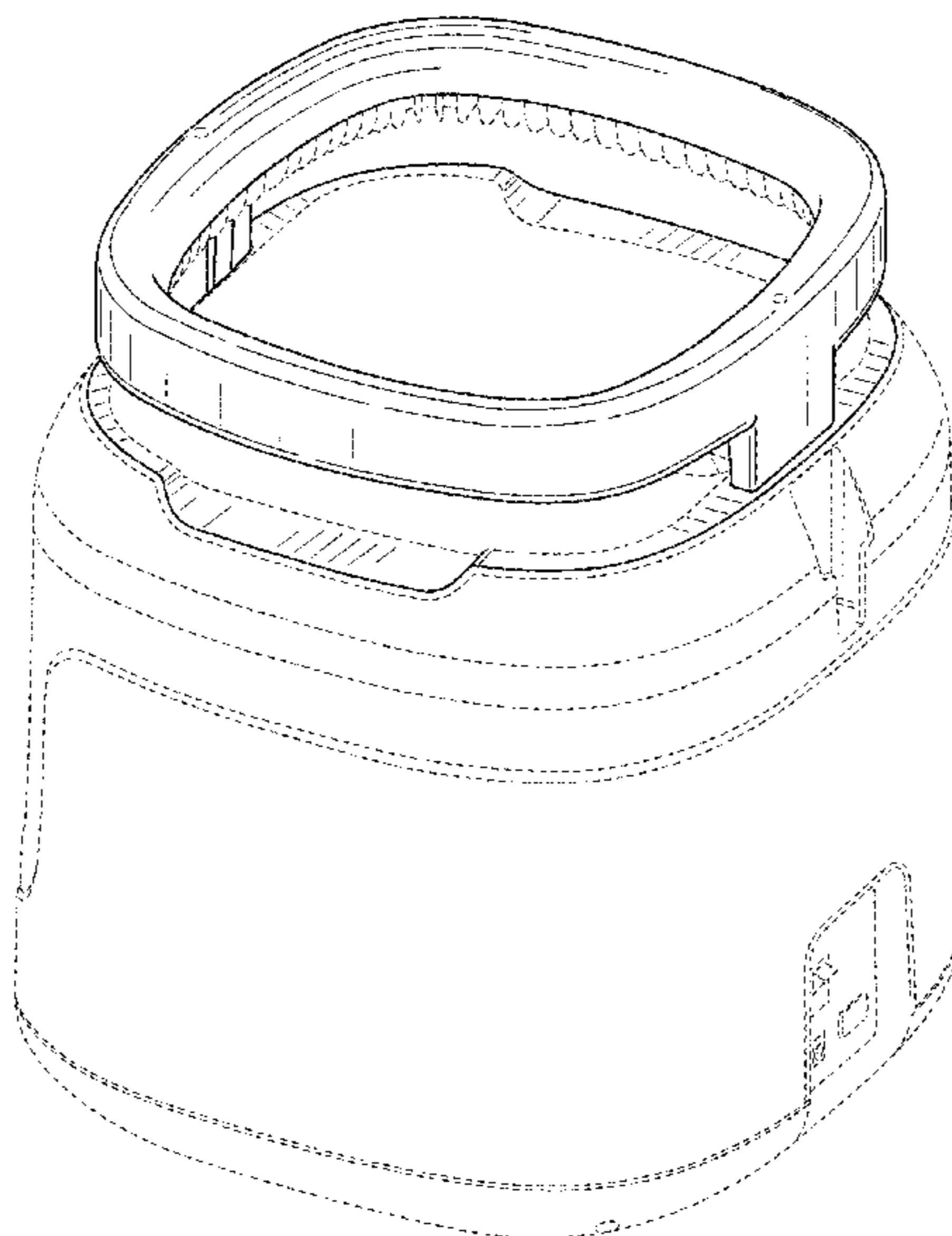
(57) **CLAIM**

The ornamental design for an automated ball-throwing apparatus, as shown and described.

**DESCRIPTION**

FIG. 1 is a perspective view of an automated ball-throwing apparatus according to my new design;  
 FIG. 2 is a right side view thereof;  
 FIG. 3 is a left side view thereof;  
 FIG. 4 is a back view thereof;  
 FIG. 5 is a front view thereof;  
 FIG. 6 is a top plan view thereof; and,  
 FIG. 7 is a bottom plan view thereof.  
 The broken lines shown in the drawings represent portions of the automated ball-throwing apparatus that form no part of the claimed design.

**1 Claim, 7 Drawing Sheets**



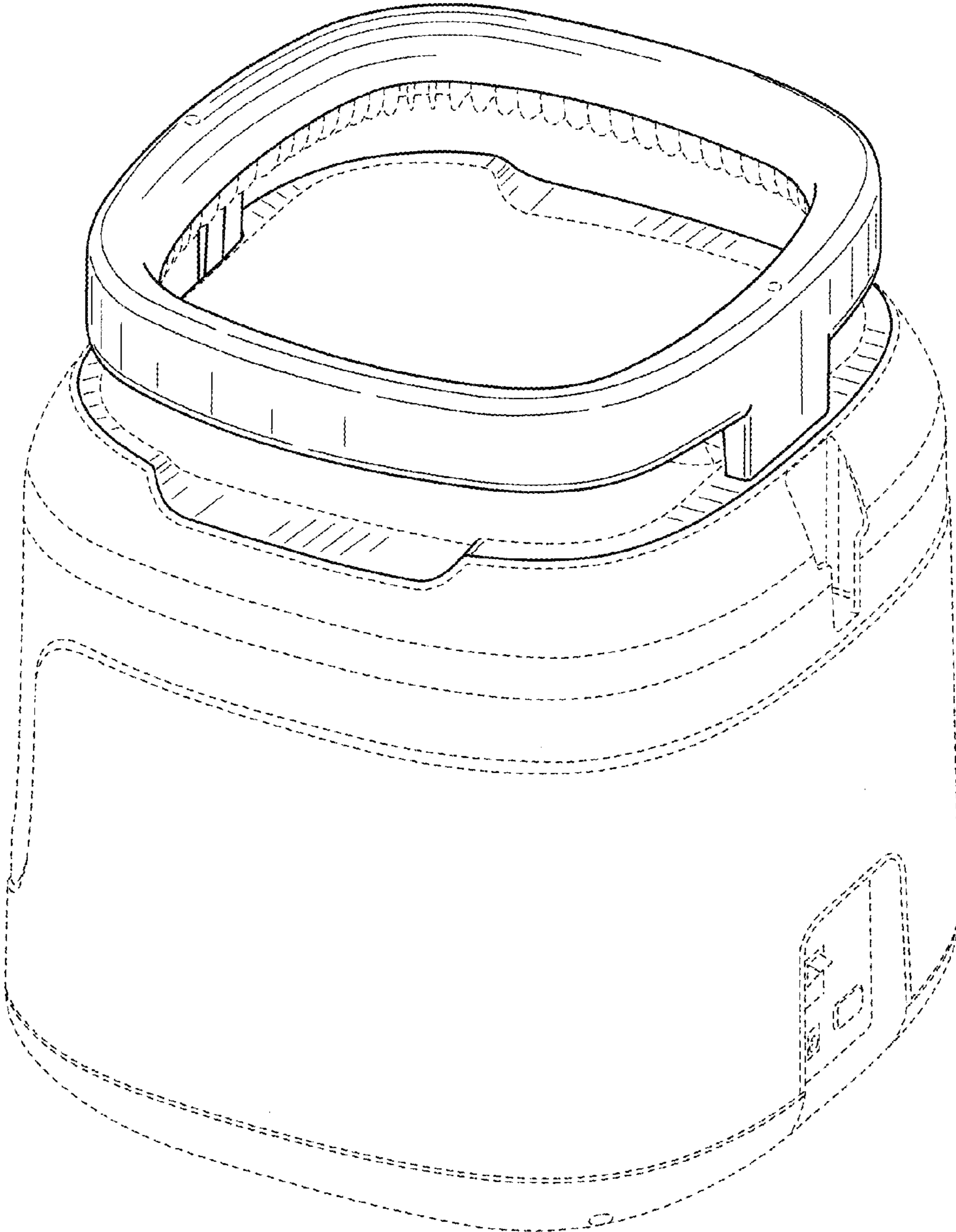


FIG. 1

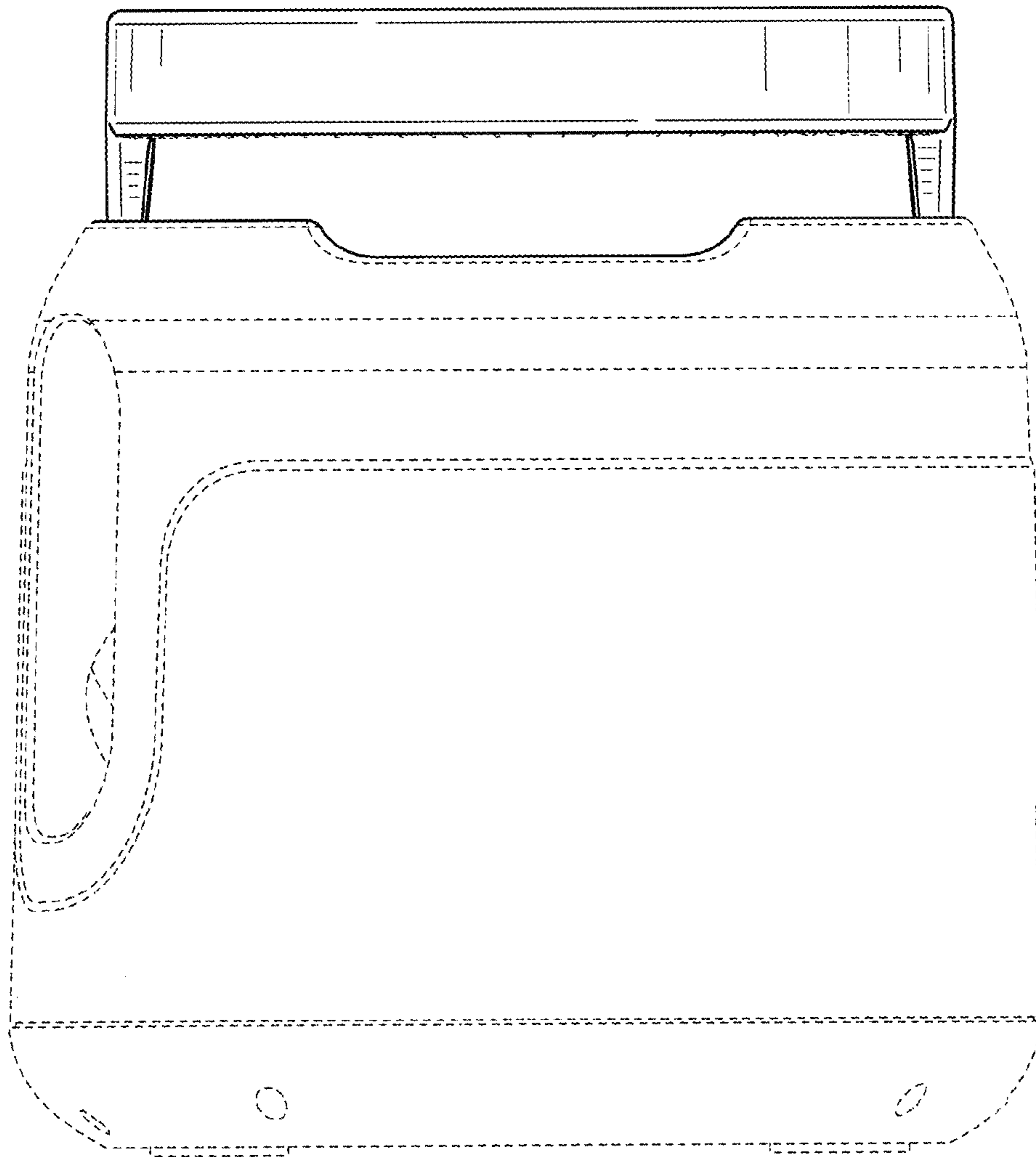


FIG. 2

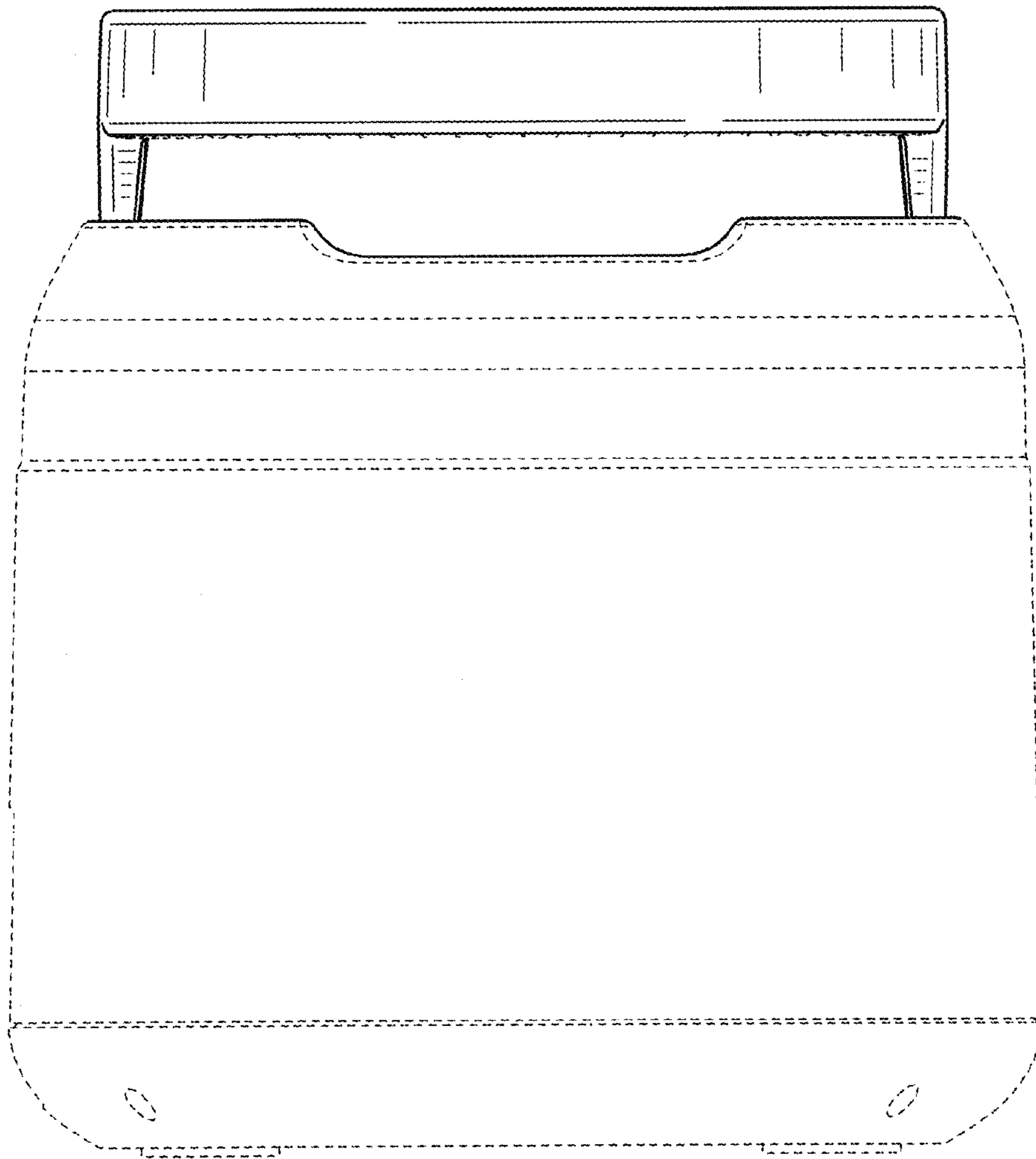


FIG. 3

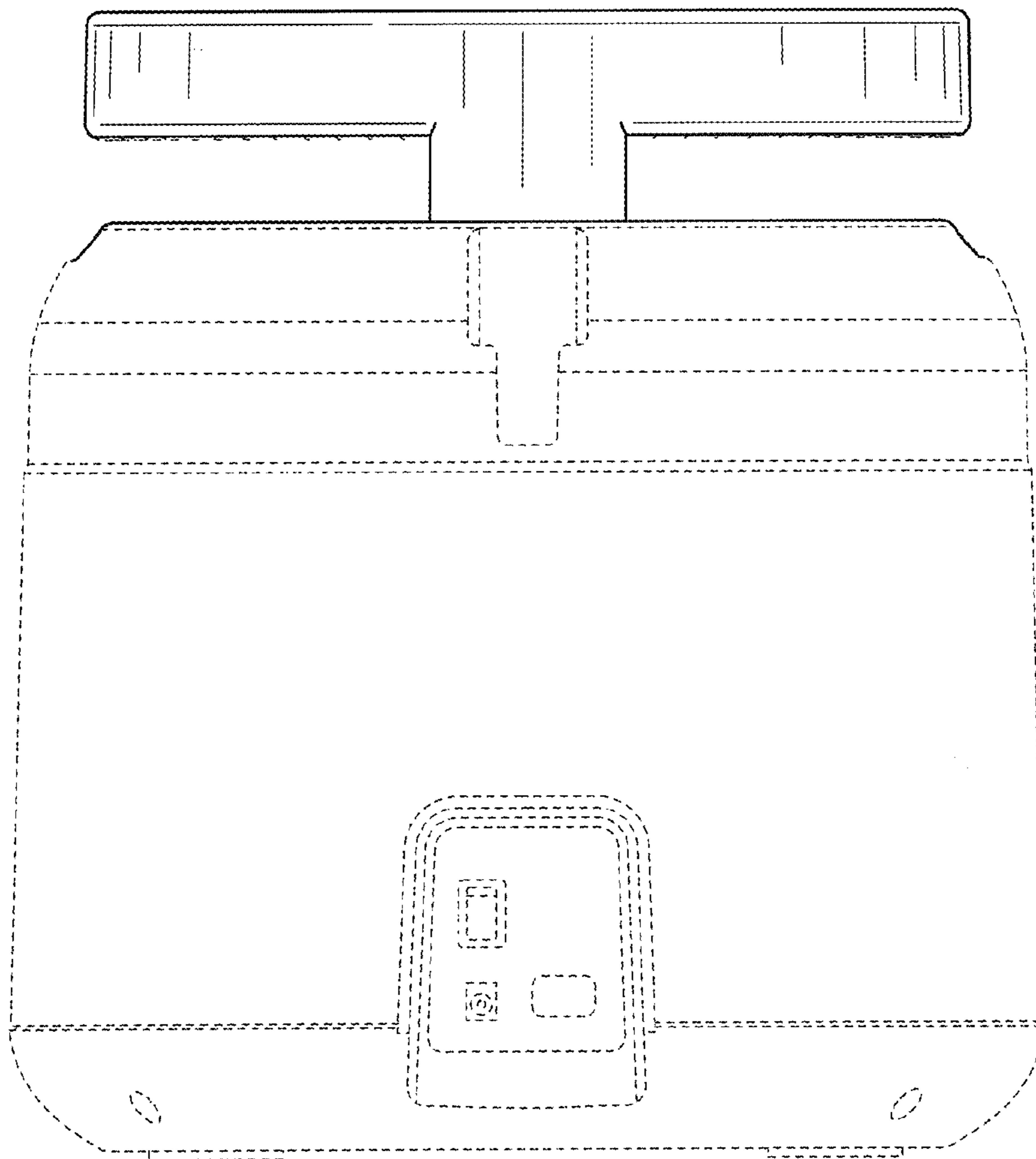


FIG. 4

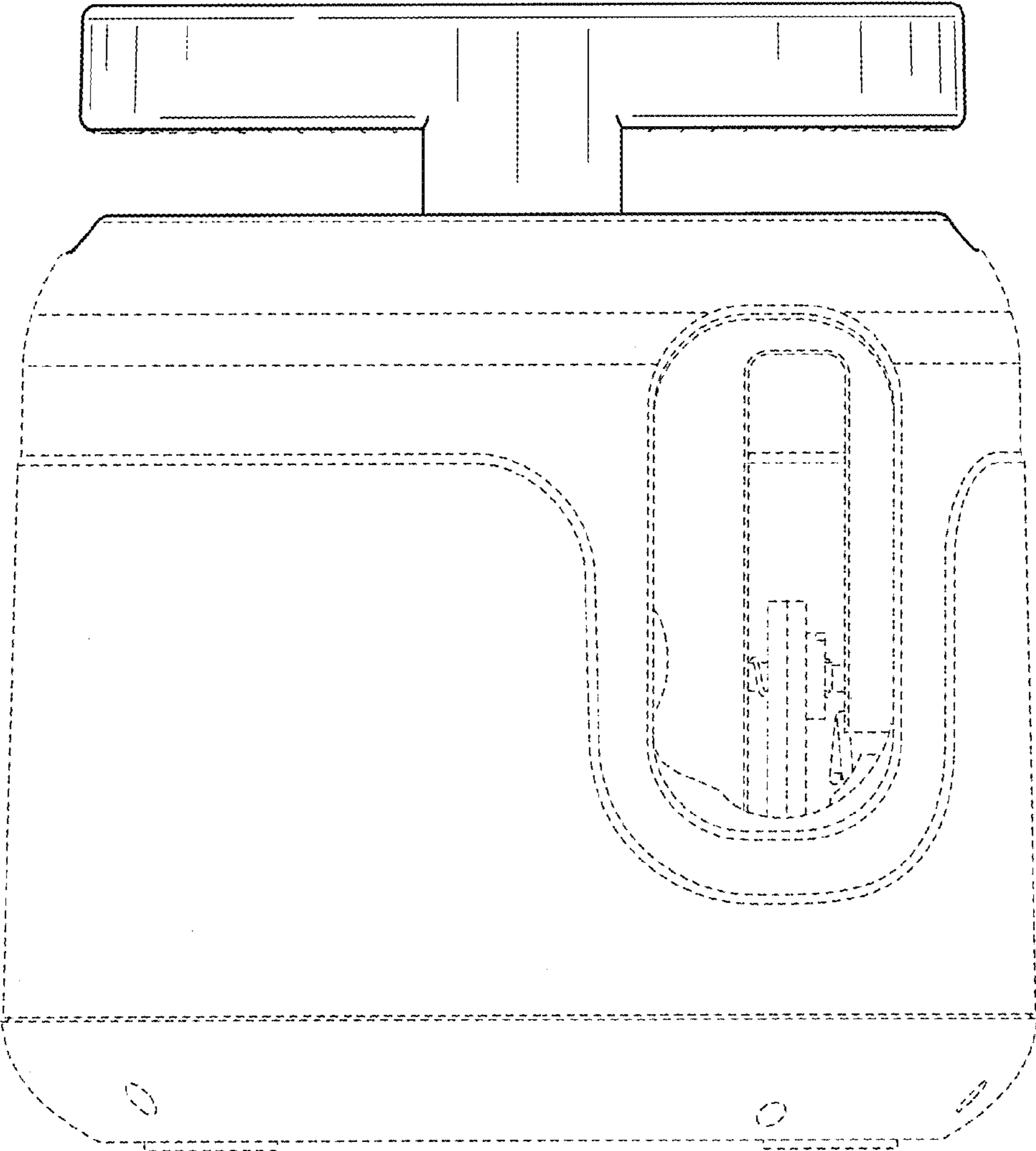


FIG. 5



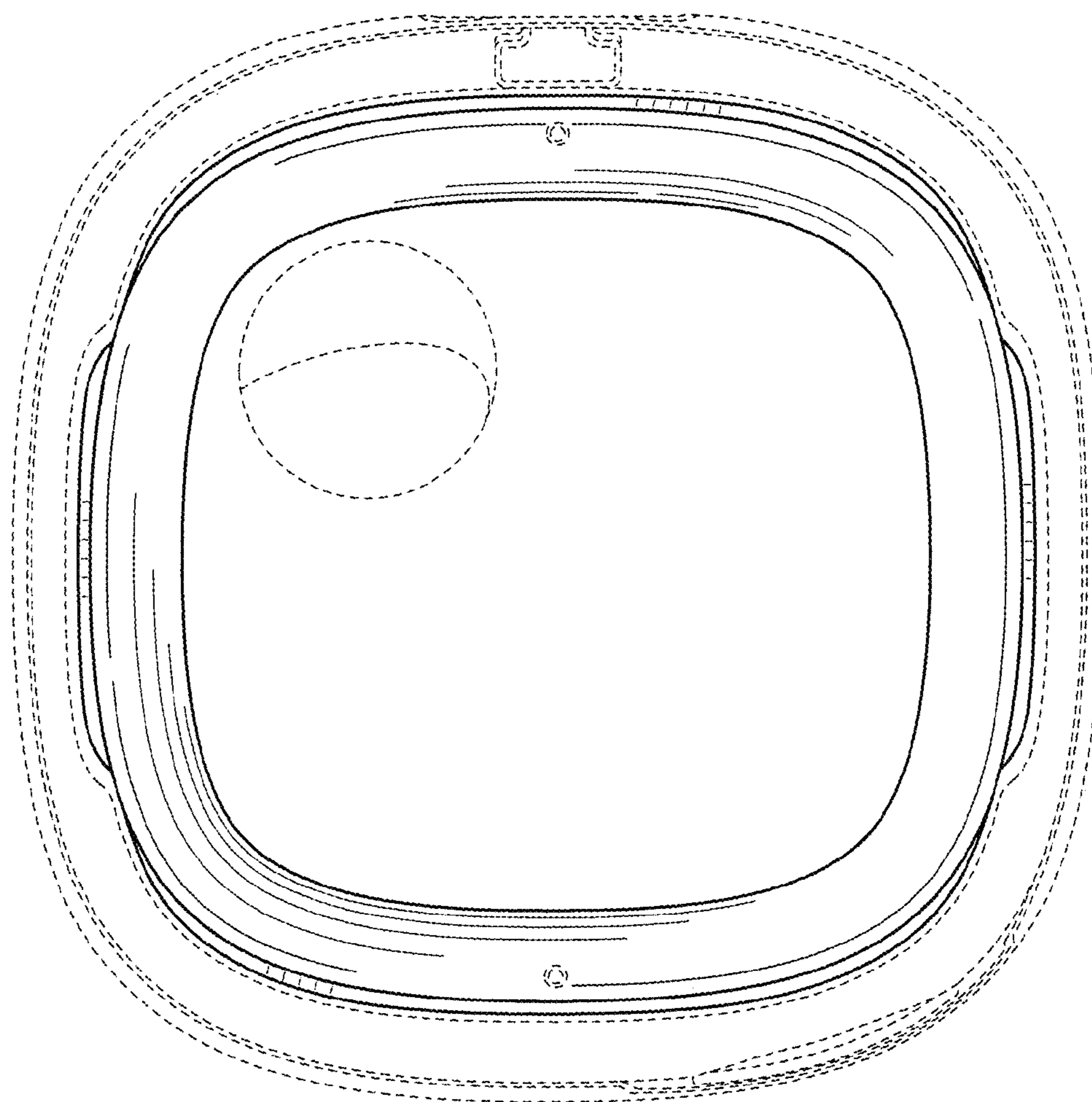


FIG. 6

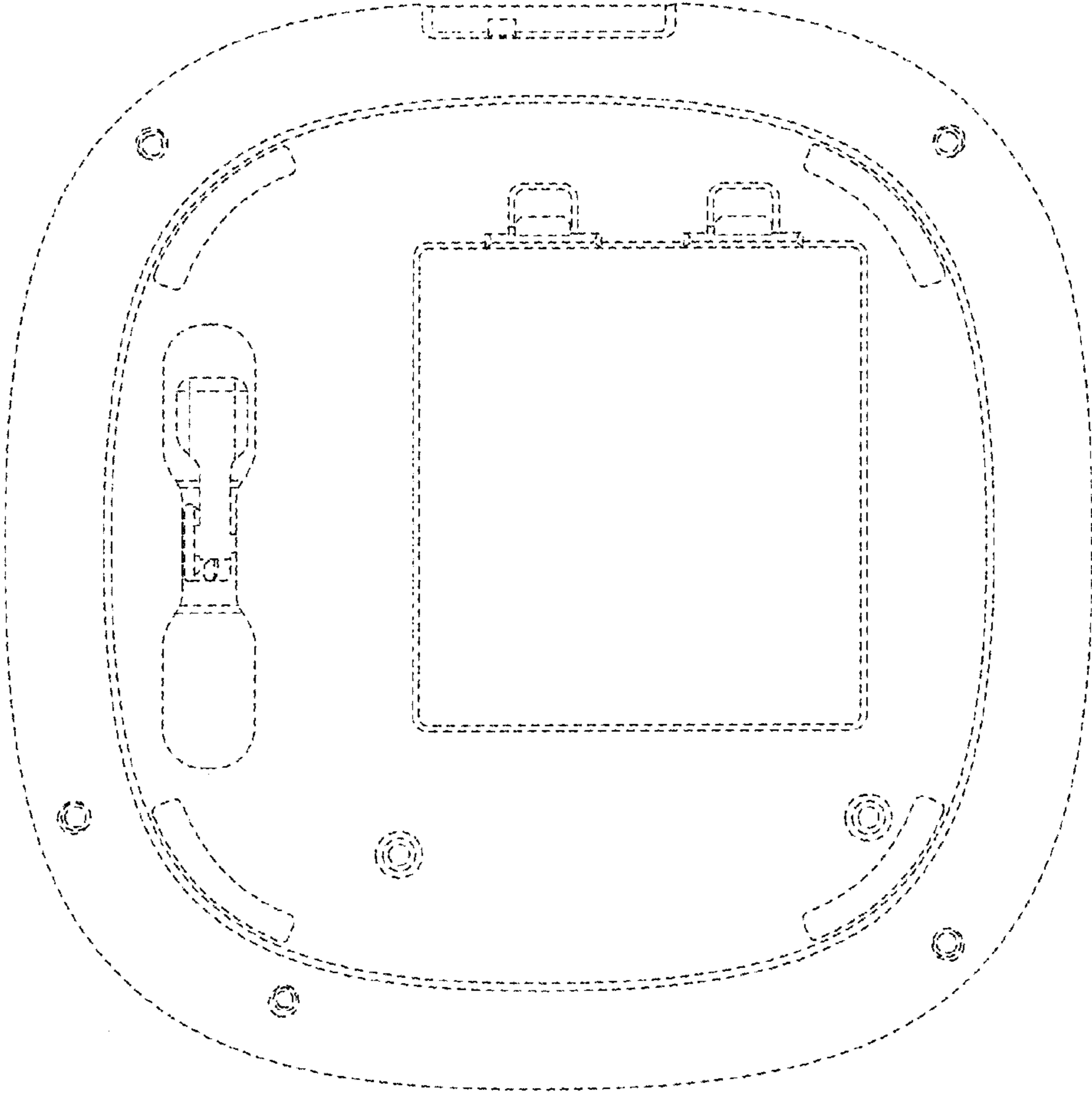


FIG. 7