



US00D748348S

(12) **United States Design Patent**
Bahadur

(10) **Patent No.:** **US D748,348 S**
(45) **Date of Patent:** **** Jan. 26, 2016**

- (54) **PET DIAPER**
- (71) Applicant: **Sandra Bahadur**, Newnan, GA (US)
- (72) Inventor: **Sandra Bahadur**, Newnan, GA (US)
- (**) Term: **14 Years**
- (21) Appl. No.: **29/495,907**
- (22) Filed: **Jul. 7, 2014**
- (51) **LOC (10) Cl.** **30-99**
- (52) **U.S. Cl.**
USPC **D30/144**
- (58) **Field of Classification Search**
USPC D30/144, 145, 161; 604/400, 386;
119/868, 869, 161, 838, 850, 168;
D24/124; 602/4, 23; 2/24, 69
CPC A61F 13/64; A61F 5/0123; A61F 5/0109;
A61F 13/102; A01K 23/00; A01K 1/0107;
A01K 1/0125; A61D 9/00; A41C 1/08
See application file for complete search history.

(56) **References Cited**

U.S. PATENT DOCUMENTS

- 1,733,997 A * 10/1929 Marr A61F 3/64
604/400
- 3,888,244 A * 6/1975 Lebold A61F 5/373
602/4
- 4,290,386 A * 9/1981 Eiriksson A01K 23/00
119/868
- 4,527,991 A * 7/1985 Msarsa A01K 23/00
119/869
- 4,800,677 A * 1/1989 Mack A01K 1/0107
119/161
- 4,813,949 A 3/1989 O'Rourke
- 4,996,949 A 3/1991 Wunderman et al.
- 5,005,525 A * 4/1991 Stanton A01K 23/00
119/838
- 5,024,216 A * 6/1991 Shiono A61F 5/0123
2/24
- D329,927 S * 9/1992 Thomas D30/145
- D334,252 S * 3/1993 Stubbs D30/144
- 5,267,952 A * 12/1993 Gardner A61F 5/0109
128/854
- 5,378,224 A * 1/1995 Billotti A61F 5/012
128/DIG. 20

- 5,538,500 A * 7/1996 Peterson A61F 13/102
602/20
- 5,555,847 A * 9/1996 Kelly A01K 23/00
119/850
- D383,259 S * 9/1997 Post D24/124
- 5,662,640 A 9/1997 Daniels
- D407,865 S * 4/1999 Rylander D30/144
- 5,954,015 A * 9/1999 Ohta A01K 23/00
119/850
- 6,460,484 B2 * 10/2002 Ikegami A01K 1/0707
119/161
- 6,532,897 B1 * 3/2003 Adolfsson A01K 1/0125
119/168
- 6,557,497 B1 * 5/2003 Milligan A01K 23/00
119/850
- D480,842 S * 10/2003 Grodecki 119/869

(Continued)

FOREIGN PATENT DOCUMENTS

- CN 302396385 * 4/2013
- EP 0692188 A1 1/1996
- JP D1157000 * 11/2002

OTHER PUBLICATIONS

The Sassy Pup: Belly Bands & Dog Diapers, Announced May 12, 2011, [Site Visited Sep. 14, 2015] <http://www.sassypup.net/belly-bands-dog-diapers-p-1-c-357.html>.*

(Continued)

Primary Examiner — Eric Goodman
Assistant Examiner — Luqman McNeil
(74) *Attorney, Agent, or Firm* — Montgomery Patent & Design, LLC; Robert C. Montgomery

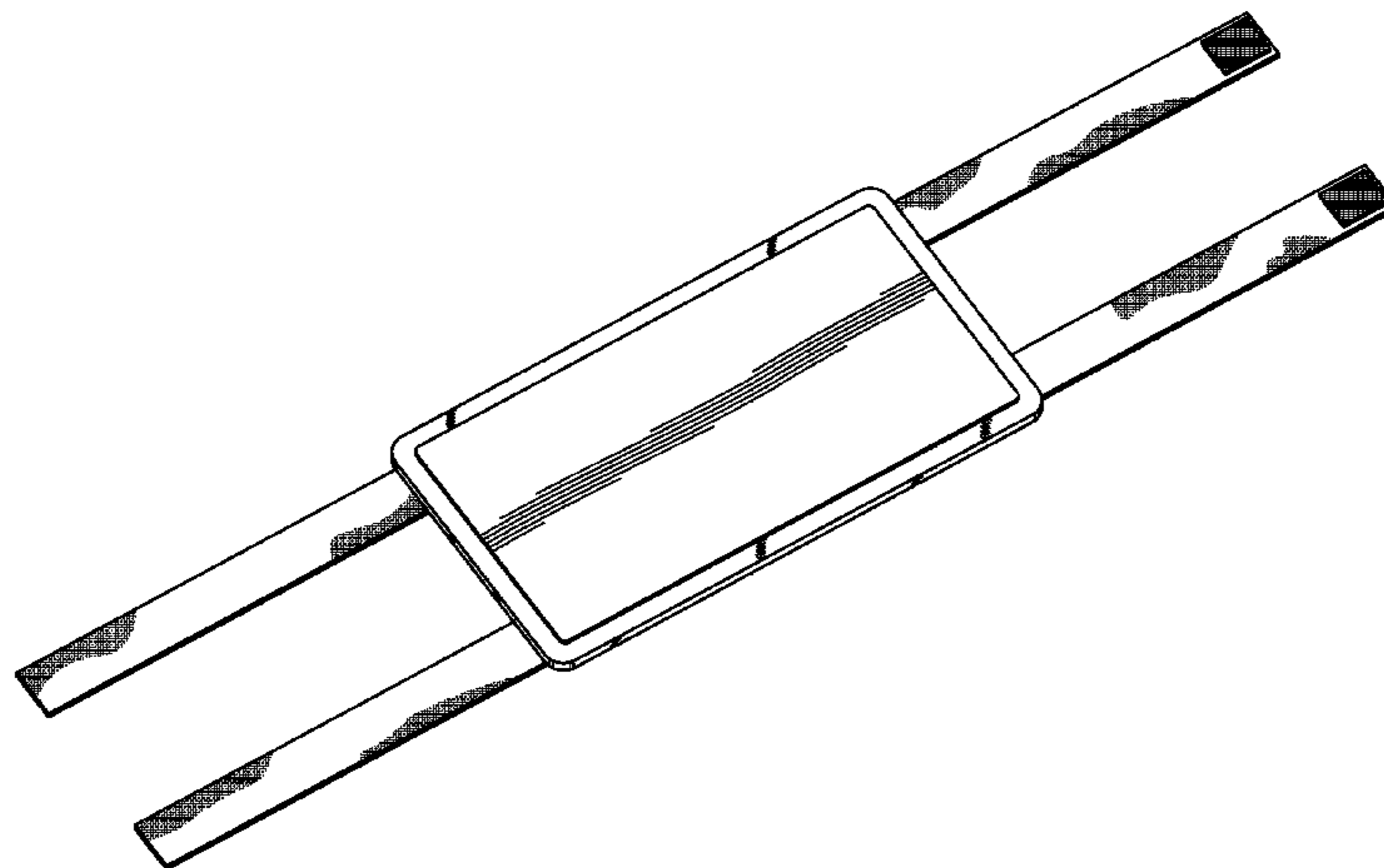
(57) **CLAIM**

The ornamental design for a pet diaper, as shown and described.

DESCRIPTION

FIG. 1 is a perspective view of a pet diaper;
FIG. 2 is a front view thereof;
FIG. 3 is a rear view thereof;
FIG. 4 is a left-hand side view thereof, wherein a right-hand side view is a mirror image of the left-hand side view;
FIG. 5 is a top view thereof; and,
FIG. 6 is a bottom view thereof.

1 Claim, 5 Drawing Sheets



(56)

References Cited

U.S. PATENT DOCUMENTS

6,837,191 B2 1/2005 Brewington
 6,895,901 B1 * 5/2005 Howard A01K 23/00
 119/869
 6,976,451 B2 * 12/2005 Helfman A01K 1/0107
 119/169
 D585,606 S * 1/2009 Kennedy D30/144
 D624,249 S * 9/2010 Ramos D30/145
 D652,583 S * 1/2012 Tacker-Betancourt D30/144
 D653,409 S * 1/2012 Elliott D30/144
 8,137,298 B2 * 3/2012 Cureington-Sims A41C 1/08
 2/69
 D664,310 S * 7/2012 Ito D30/144
 8,302,565 B2 11/2012 Williams
 8,439,000 B1 5/2013 Mehtupciu-Ionescu
 D693,524 S * 11/2013 Jangula D30/145

D718,907 S * 12/2014 Calimano D30/161
 2005/0034687 A1 2/2005 Solomon
 2005/0061260 A1 * 3/2005 Hall A01K 23/00
 119/869
 2006/0217678 A1 * 9/2006 Ikegami A01K 23/00
 604/386
 2010/0056969 A1 * 3/2010 Thielscher A61D 9/00
 602/23
 2010/0319633 A1 12/2010 Moncheski
 2014/0076246 A1 3/2014 Komatsubara et al.

OTHER PUBLICATIONS

Dog Snobs: Where Do Puppies Come From?: Why We Judge People
 Who Have Oops Litters, Announced May 10, 2013 [Site Visited Sep.
 14, 2015] <http://thedogsnobs.com/2013/05/page/2/>.*

* cited by examiner

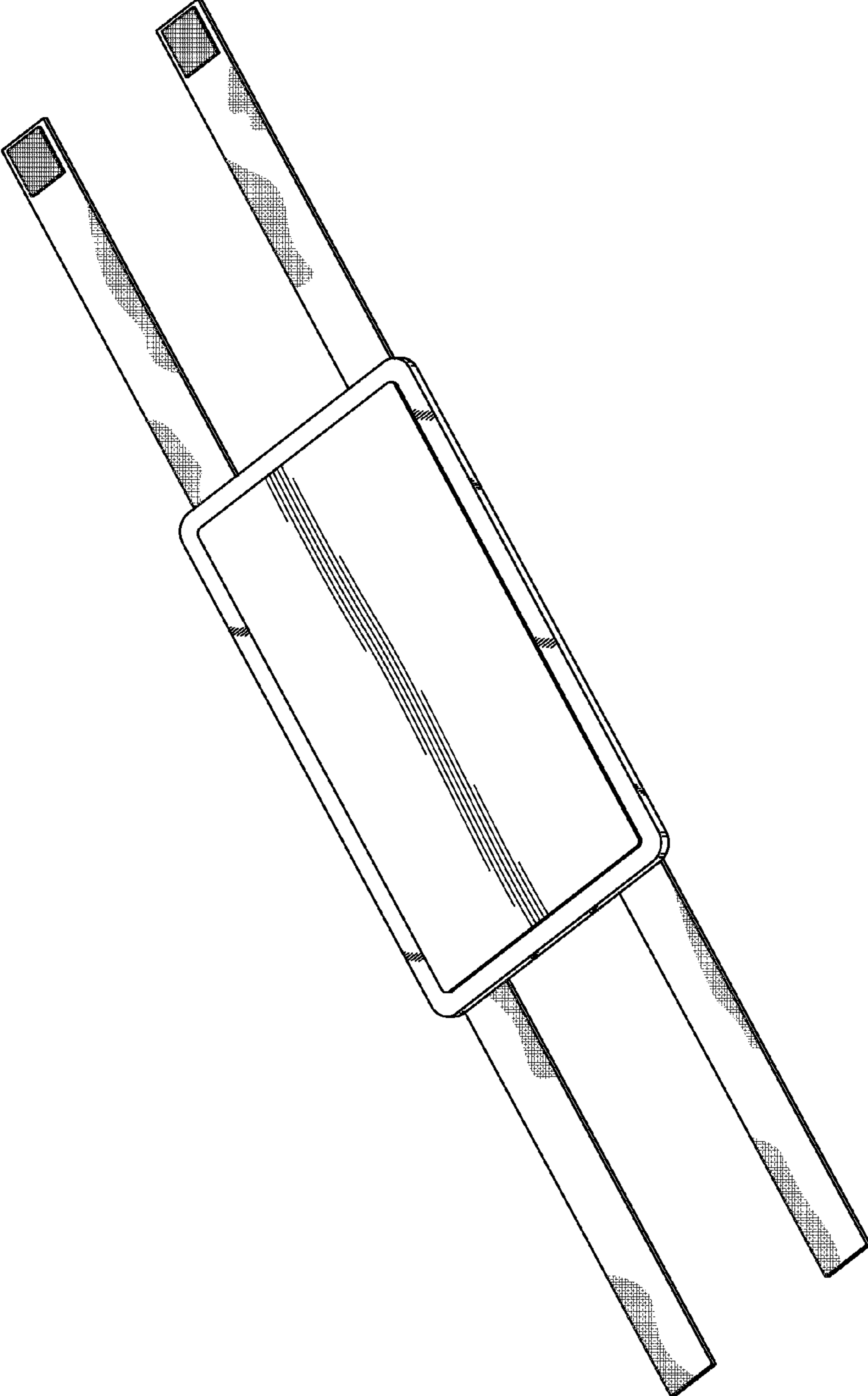


Fig. 1

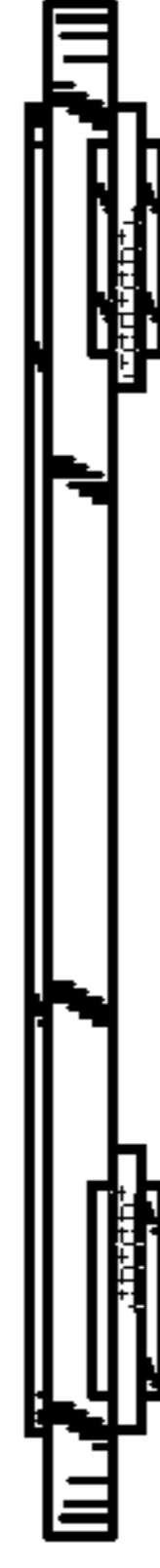


Fig. 3

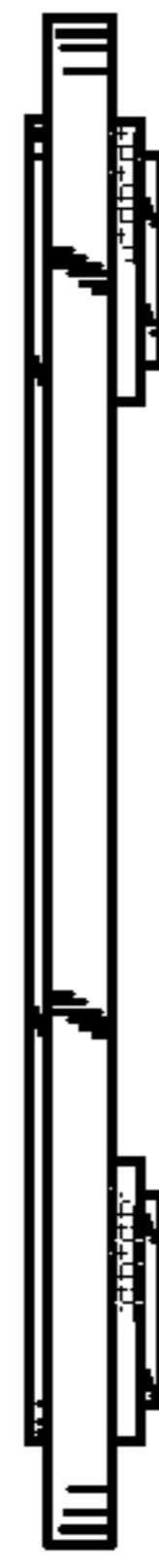


Fig. 2



Fig. 4

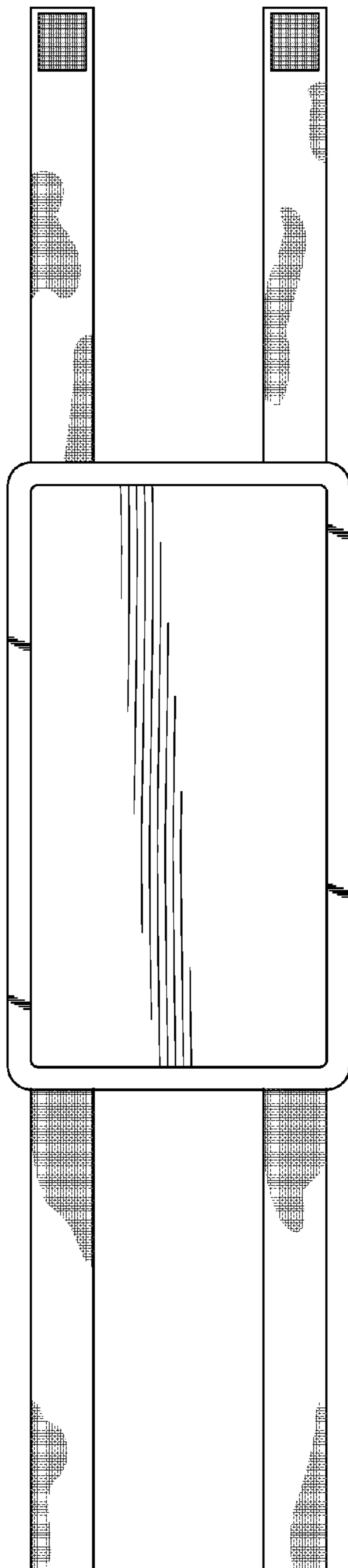


Fig. 5

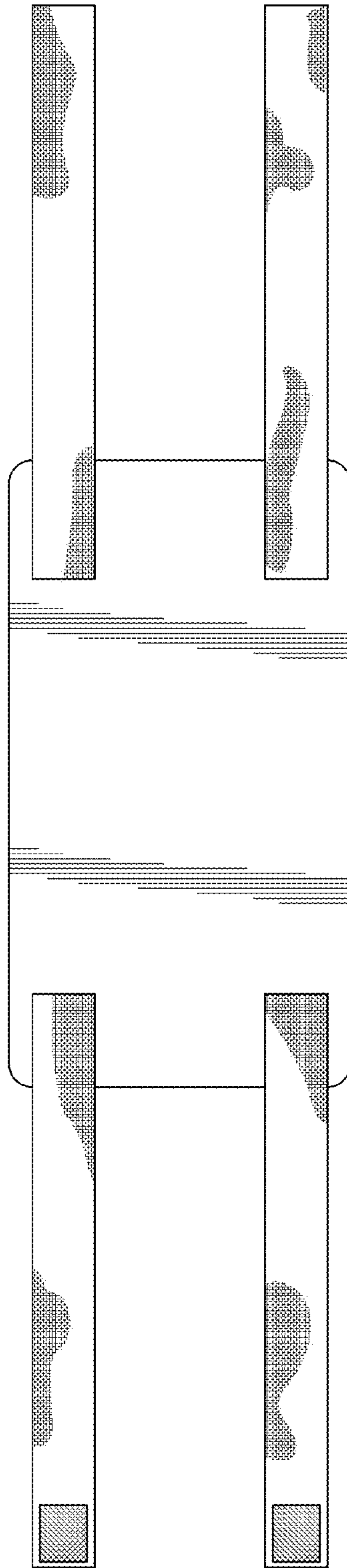


Fig. 6