



US00D748345S

(12) **United States Design Patent**
Kotrla et al.

(10) **Patent No.:** **US D748,345 S**
(45) **Date of Patent:** **** Jan. 26, 2016**

(54) **SAFETY-HARNESS ATTACHMENT**

5,699,875 A * 12/1997 Dugan 182/3
5,813,486 A 9/1998 Smith et al.
D401,255 S 11/1998 Burns

(71) Applicant: **Cameron International Corporation,**
Houston, TX (US)

(Continued)

(72) Inventors: **Johnnie Kotrla,** Katy, TX (US); **Gary R. Driver,** Katy, TX (US); **Carter Erwin,** Montgomery, TX (US)

FOREIGN PATENT DOCUMENTS

FR 2166691 8/1973

(73) Assignee: **Cameron International Corporation,**
Houston, TX (US)

OTHER PUBLICATIONS

PCT/US2010/033031 Search Report and Written Opinion dated Jul. 6, 2010.

(**) Term: **14 Years**

Primary Examiner — Randall Gholson

(21) Appl. No.: **29/491,526**

(74) *Attorney, Agent, or Firm* — Fletcher Yoder P.C.

(22) Filed: **May 21, 2014**

(57) **CLAIM**

The ornamental design for a safety-harness attachment, as shown and described.

(51) **LOC (10) Cl.** **29-02**

DESCRIPTION

(52) **U.S. Cl.**

USPC **D29/122**

(58) **Field of Classification Search**

USPC D8/354, 367; D25/199; 182/3, 113, 45;
52/713, 27, 749.12; 248/505, 37, 237;
D29/122, 101.1

CPC E04G 5/00; E04G 5/001; E04G 21/32;
A47L 3/04; E04D 13/12; E04D 13/14

See application file for complete search history.

This application claims priority to and benefit of U.S. Non-Provisional Patent application Ser. No. 13/256.615, entitled "Safely-Harness Attachment", filed on Sep. 14, 2011.

FIG. 1 is a front top side perspective view of our new design for a safety-harness attachment;

FIG. 2 is a front side view thereof; the rear side view is a mirror image thereof;

FIG. 3 is a left side view thereof; the right side view is a mirror image thereof;

FIG. 4 is a top side view thereof;

FIG. 5 is a perspective view showing the safety-harness attachment in the environmental context of oilfield equipment; and,

FIG. 6 is an enlarged partial perspective view taken from FIG. 5 showing the safety-harness attachment in the environmental context of oilfield equipment.

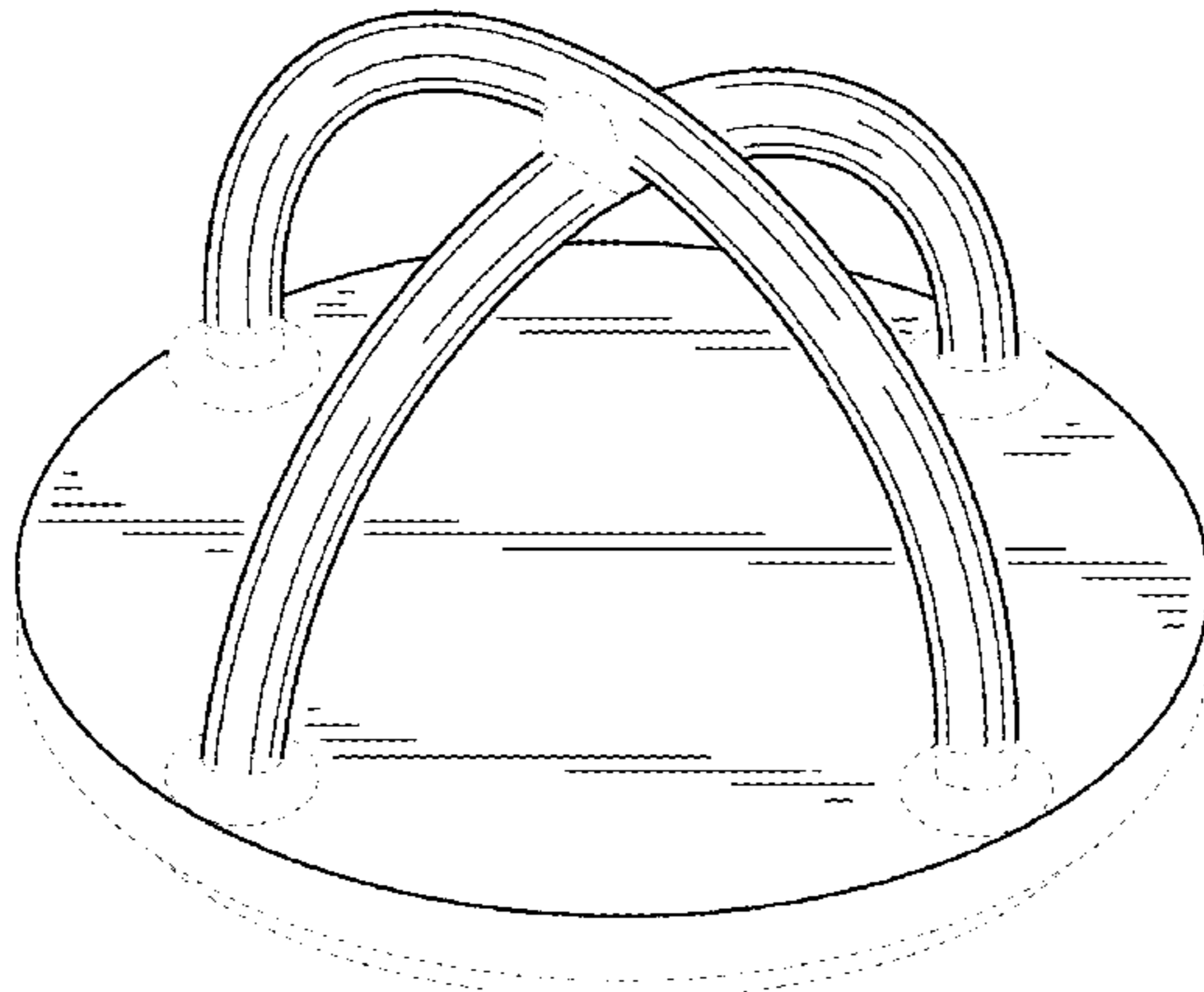
The broken lines depict portions of the safety-harness attachment that form no part of the claimed design. the broken lines shown in figs. 5 and 6 illustrating oilfield equipment illustrate environment and likewise forms no part of the claimed design.

(56) **References Cited**

U.S. PATENT DOCUMENTS

1,410,633	A	3/1922	White	
1,541,302	A	6/1925	White	
2,349,399	A	5/1944	Awbrey	
2,798,393	A	7/1957	Currin	
3,693,310	A	9/1972	Middleton	
4,607,991	A *	8/1986	Porter	410/110
4,689,867	A	9/1987	Tolliver	
4,932,185	A *	6/1990	Lebel	52/704
D309,251	S *	7/1990	Palmer	D8/367
5,035,391	A	7/1991	Steele et al.	
D360,571	S *	7/1995	Perry	D8/354
5,450,661	A *	9/1995	Rekuc	24/599.6

1 Claim, 6 Drawing Sheets



US D748,345 S

Page 2

(56)

References Cited

U.S. PATENT DOCUMENTS

D407,298 S *	3/1999	Hemphill	D8/367	6,966,531 B2 *	11/2005	Curtin	248/237
6,206,613 B1	3/2001	Elkins			7,065,925 B2 *	6/2006	Hansort	52/125.5
D474,394 S *	5/2003	Smith	D8/349	D533,441 S *	12/2006	Mastenbroek	D8/354
6,779,316 B2 *	8/2004	Carroll	52/698	D592,994 S *	5/2009	Zander	D11/93
					2003/0015372 A1	1/2003	Herrmann		

* cited by examiner

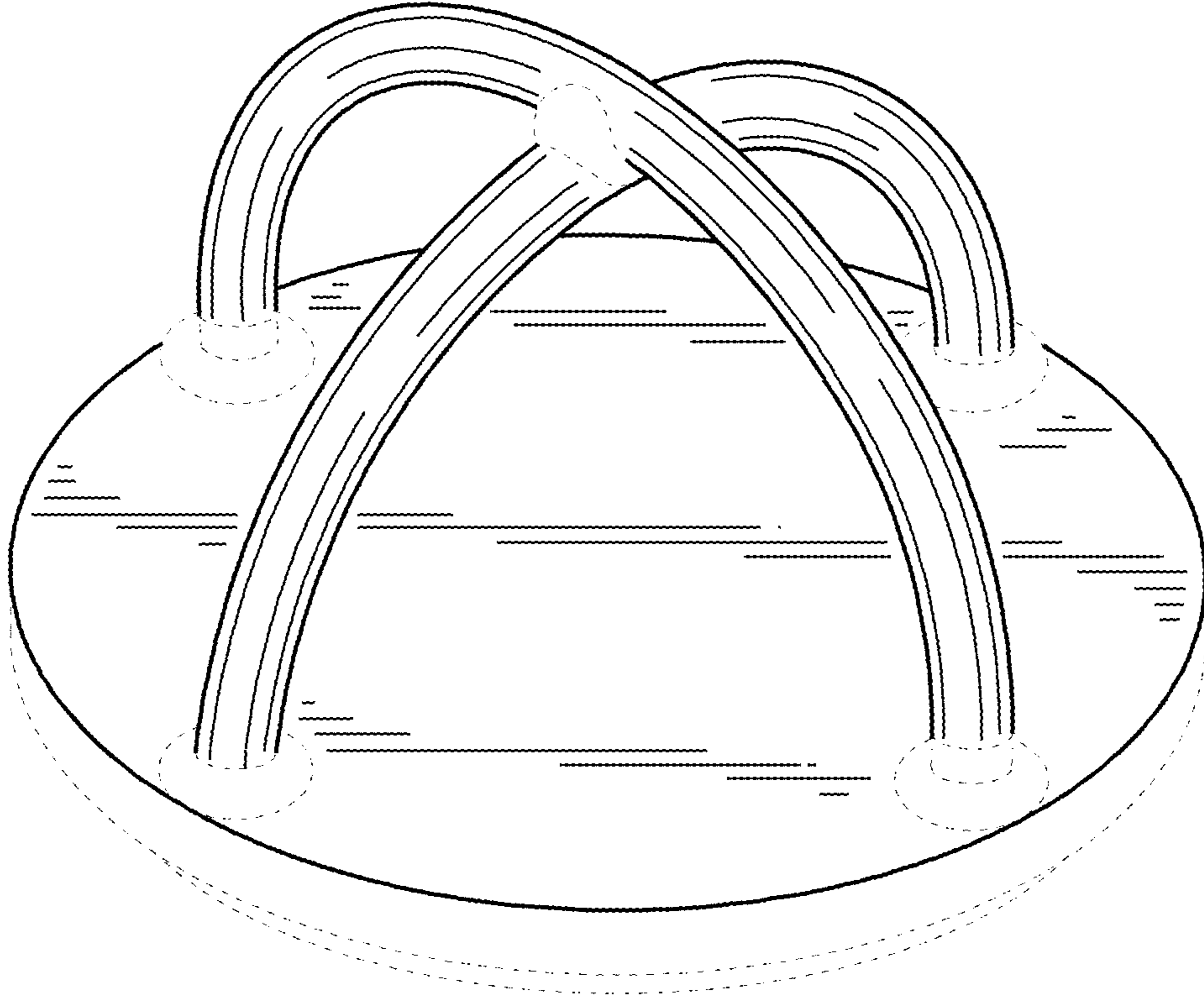


FIG. 1

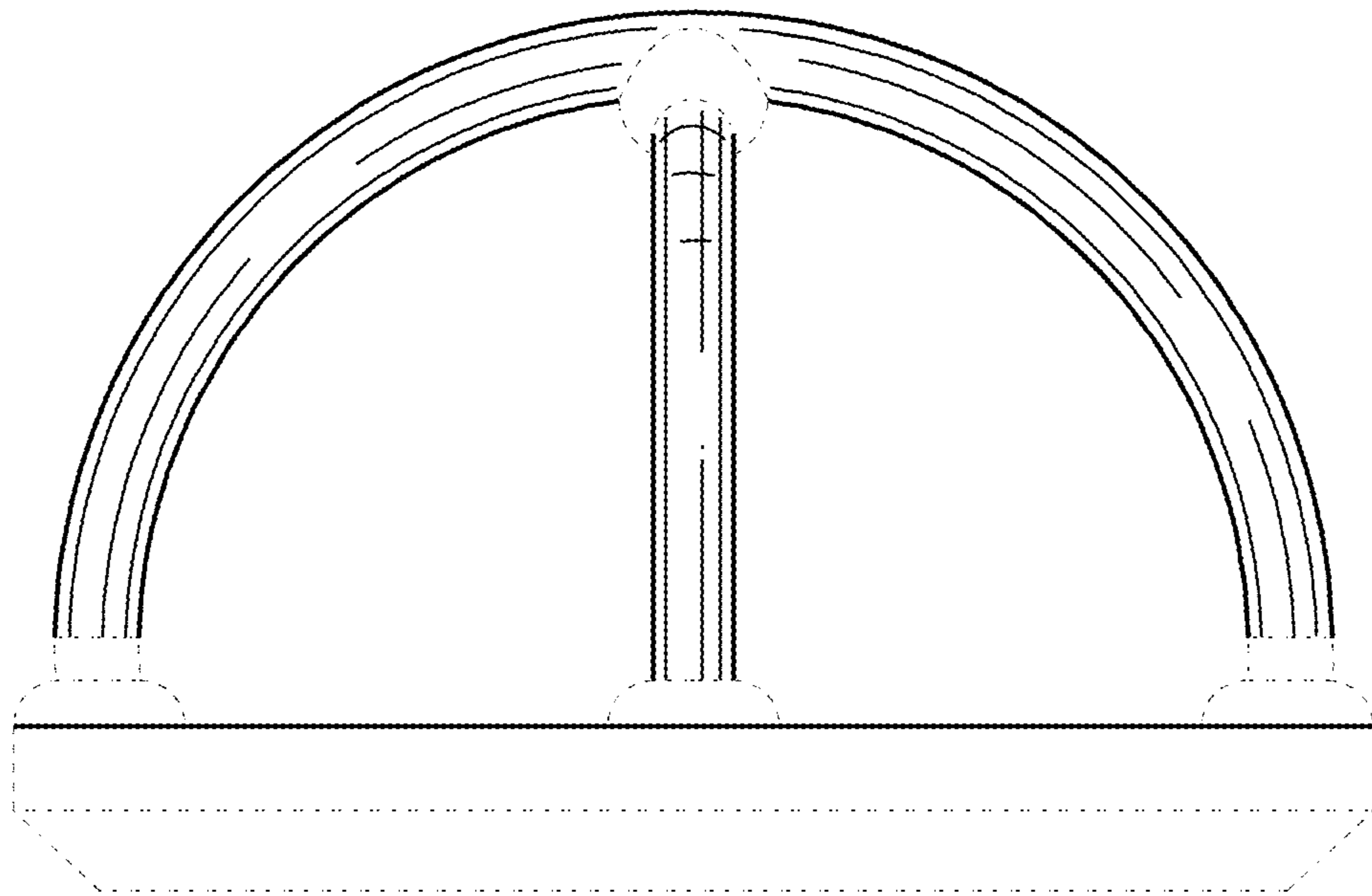


FIG. 2

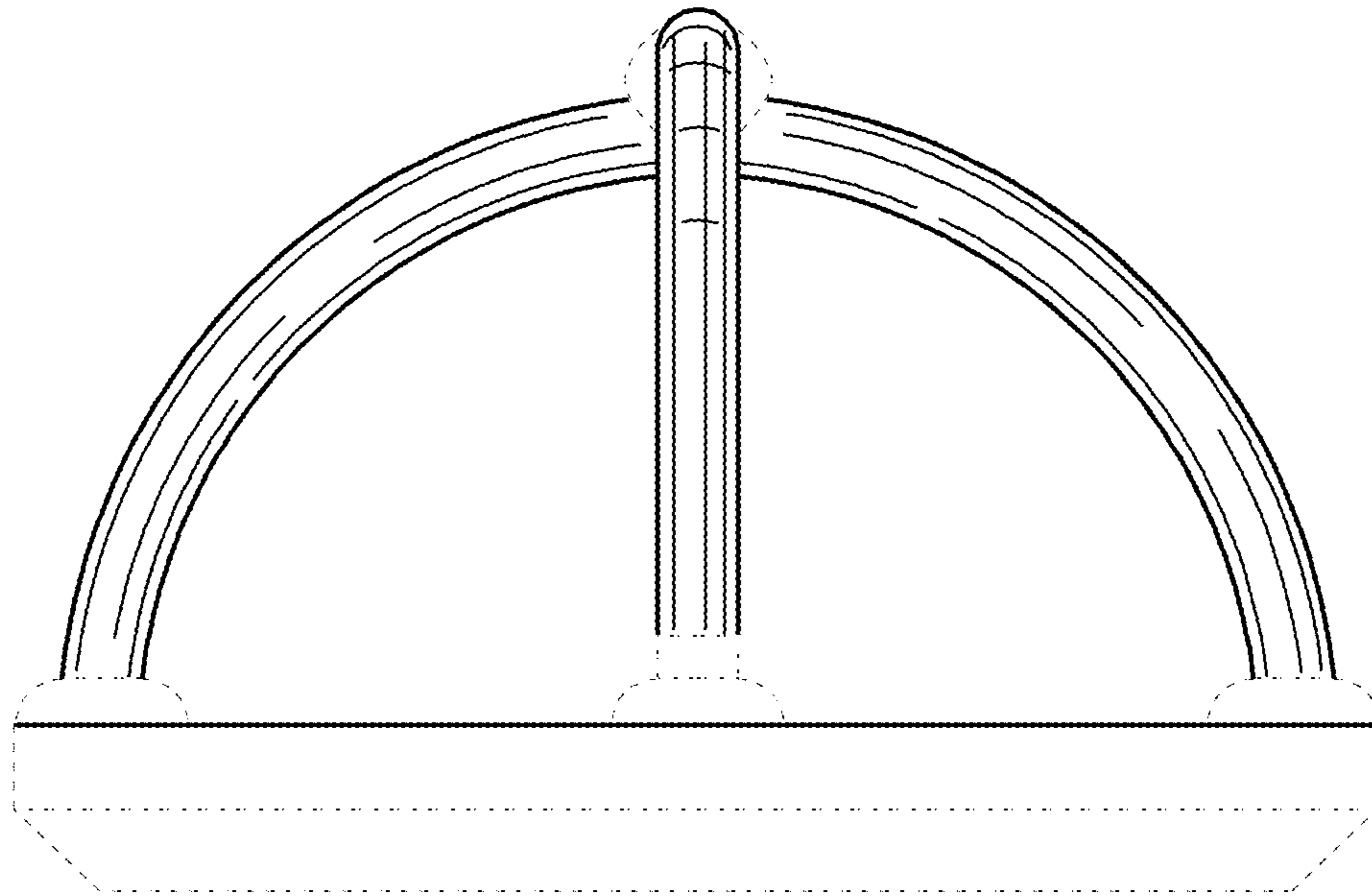


FIG. 3

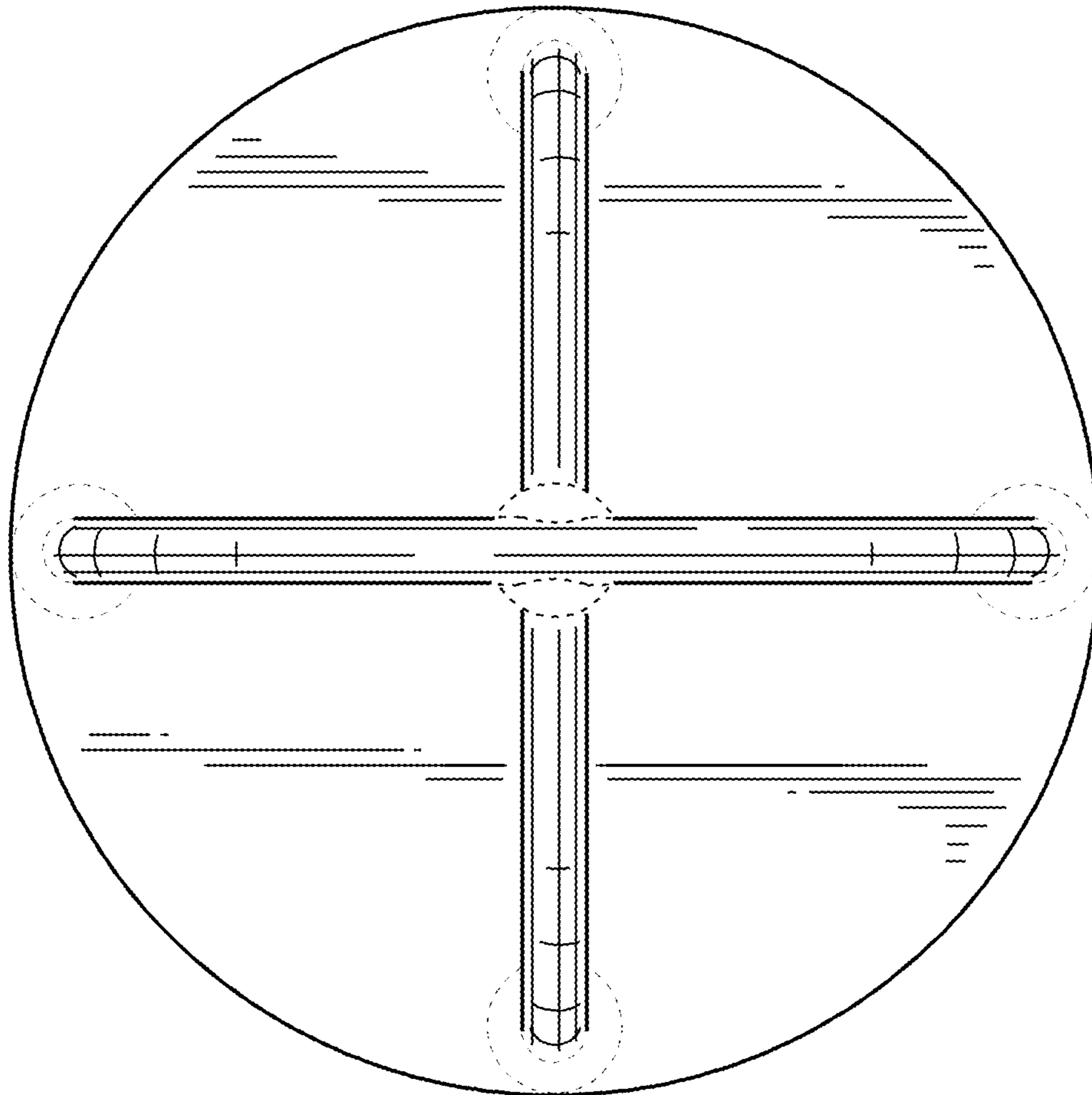


FIG. 4

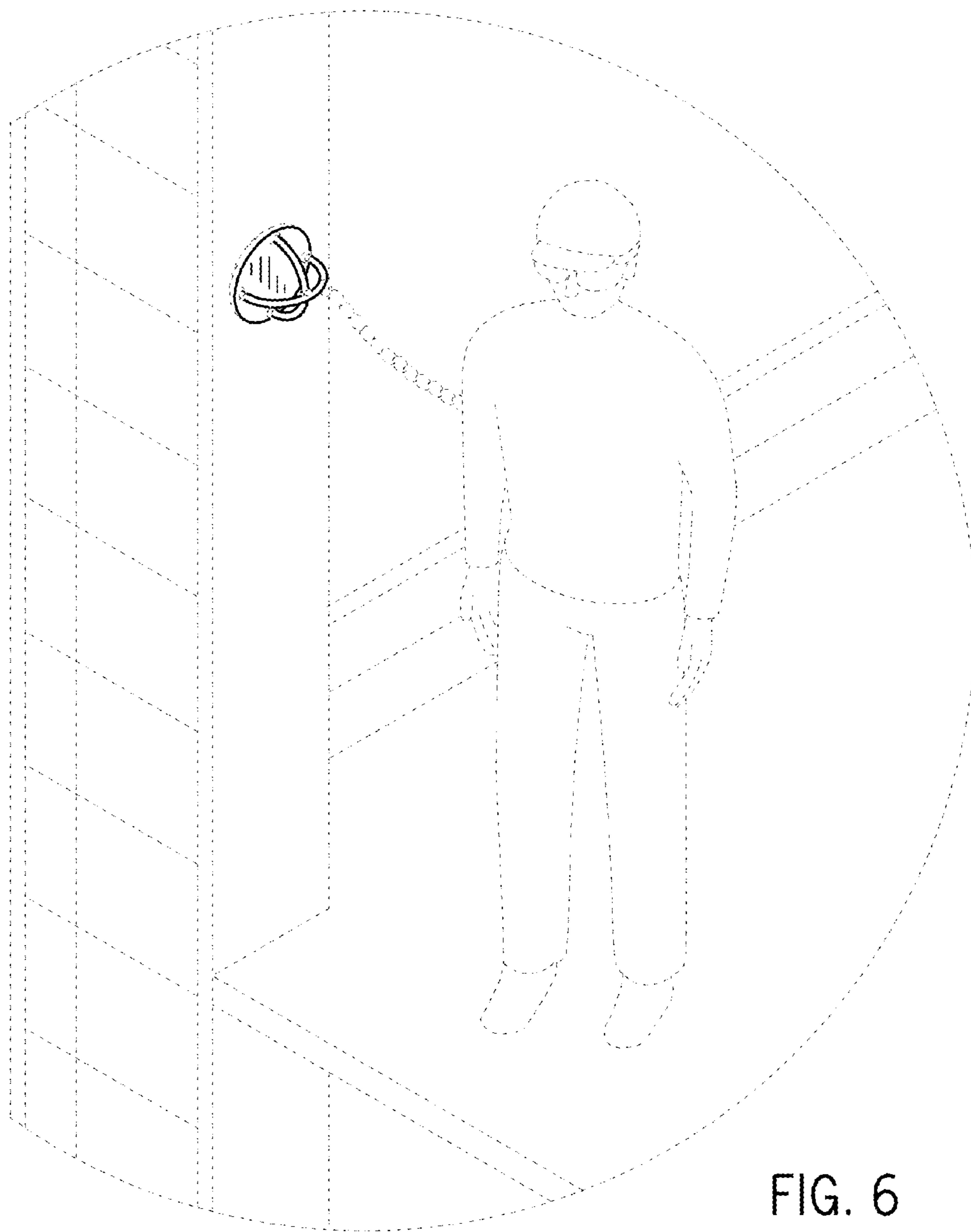


FIG. 6