



US00D748341S

(12) **United States Design Patent**  
**Godiali**

(10) **Patent No.:** **US D748,341 S**  
(45) **Date of Patent:** **\*\* Jan. 26, 2016**

(54) **TRANSPARENT SAFETY GLOVE**  
(71) Applicant: **Vasso Godziachvili Godiali**, Bay City, MI (US)  
(72) Inventor: **Vasso Godziachvili Godiali**, Bay City, MI (US)  
(\*\*) Term: **14 Years**  
(21) Appl. No.: **29/487,409**  
(22) Filed: **Apr. 8, 2014**  
(51) **LOC (10) Cl.** ..... **02-06**  
(52) **U.S. Cl.**  
USPC ..... **D29/117.1**  
(58) **Field of Classification Search**  
USPC ..... D29/113, 114, 116.1, 116.2, 117.1, D29/117.2, 118, 119, 120.1, 122, 123; D3/215, 269, 270, 271.1, 271.4, 271.9; D2/610-623; D7/669; D28/63; 2/158-160, 161.1-161.8, 162-170, 2/16-21, 907, 910, 917; 401/6-8; 446/327, 328; 223/78-80; D30/158; D24/190, 200, 214; 119/611; D32/40-43; D21/807; D20/33  
CPC .... A41D 19/0017; A41D 19/01; A47L 13/18; A63B 71/145; A47K 7/02; Y10S 128/20; Y10T 428/13  
See application file for complete search history.

2/158  
3,755,820 A \* 9/1973 Petrussek ..... A63B 67/00  
128/DIG. 20  
4,065,016 A \* 12/1977 Perkins ..... B65D 11/04  
215/6  
4,089,379 A \* 5/1978 Crownover ..... A01B 1/06  
172/370  
4,203,495 A \* 5/1980 Crownover ..... A01B 1/00  
15/222  
D299,261 S \* 1/1989 Gruenspecht ..... D21/807  
D299,262 S \* 1/1989 Gruenspecht ..... D21/807  
D333,016 S \* 2/1993 Lambert ..... D29/116.1  
D377,053 S \* 12/1996 Williams ..... D2/622  
5,924,160 A \* 7/1999 Bradley ..... A47K 7/02  
15/227  
6,058,509 A \* 5/2000 Was ..... A41D 19/01  
15/227  
D593,278 S \* 6/2009 Kimm ..... D2/622  
D678,630 S \* 3/2013 Cohen ..... D30/153  
2005/0222621 A1 \* 10/2005 Duwelius ..... A61J 17/02  
606/235  
2013/0274076 A1 \* 10/2013 Smith ..... A63B 21/065  
482/105

\* cited by examiner

*Primary Examiner* — Cathron Brooks  
*Assistant Examiner* — Teddy Falloway

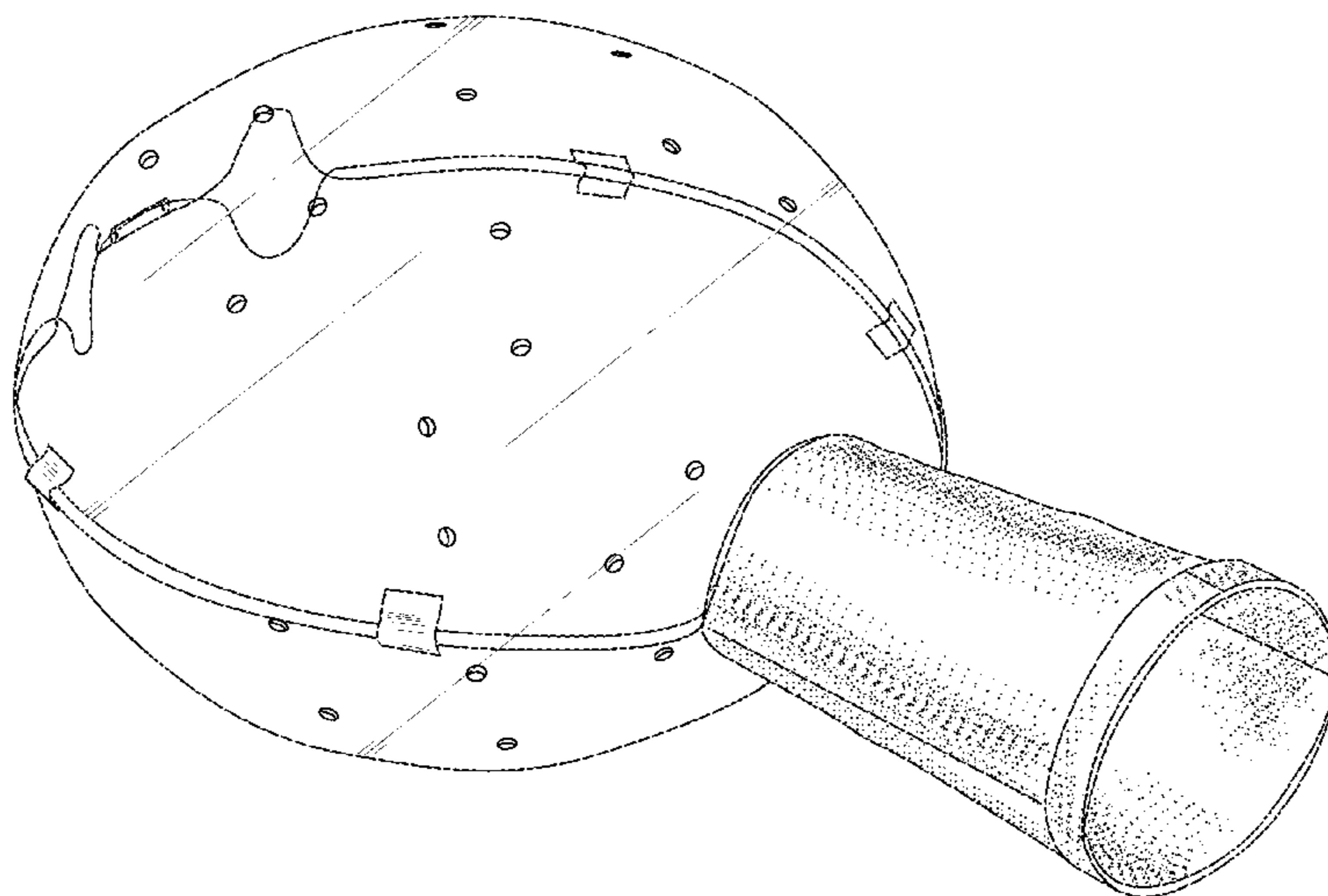
(57) **CLAIM**  
The ornamental design for a transparent safety glove, as shown and described.

**DESCRIPTION**

FIG. 1 is a right side elevation view of a transparent safety glove;  
FIG. 2 is a left side elevation view thereof;  
FIG. 3 is a front elevation view thereof;  
FIG. 4 is a rear elevation view thereof;  
FIG. 5 is a top plan view thereof;  
FIG. 6 is a bottom plan view thereof; and,  
FIG. 7 is a perspective view thereof.

**1 Claim, 7 Drawing Sheets**

(56) **References Cited**  
U.S. PATENT DOCUMENTS  
2,130,200 A \* 9/1938 Smith ..... A63B 71/145  
2/18  
2,505,409 A \* 4/1950 Kirchner ..... A47L 13/18  
15/227  
2,795,806 A \* 6/1957 Suttles ..... A47L 13/19  
15/227  
3,403,408 A \* 10/1968 Helfer ..... A41D 19/0017



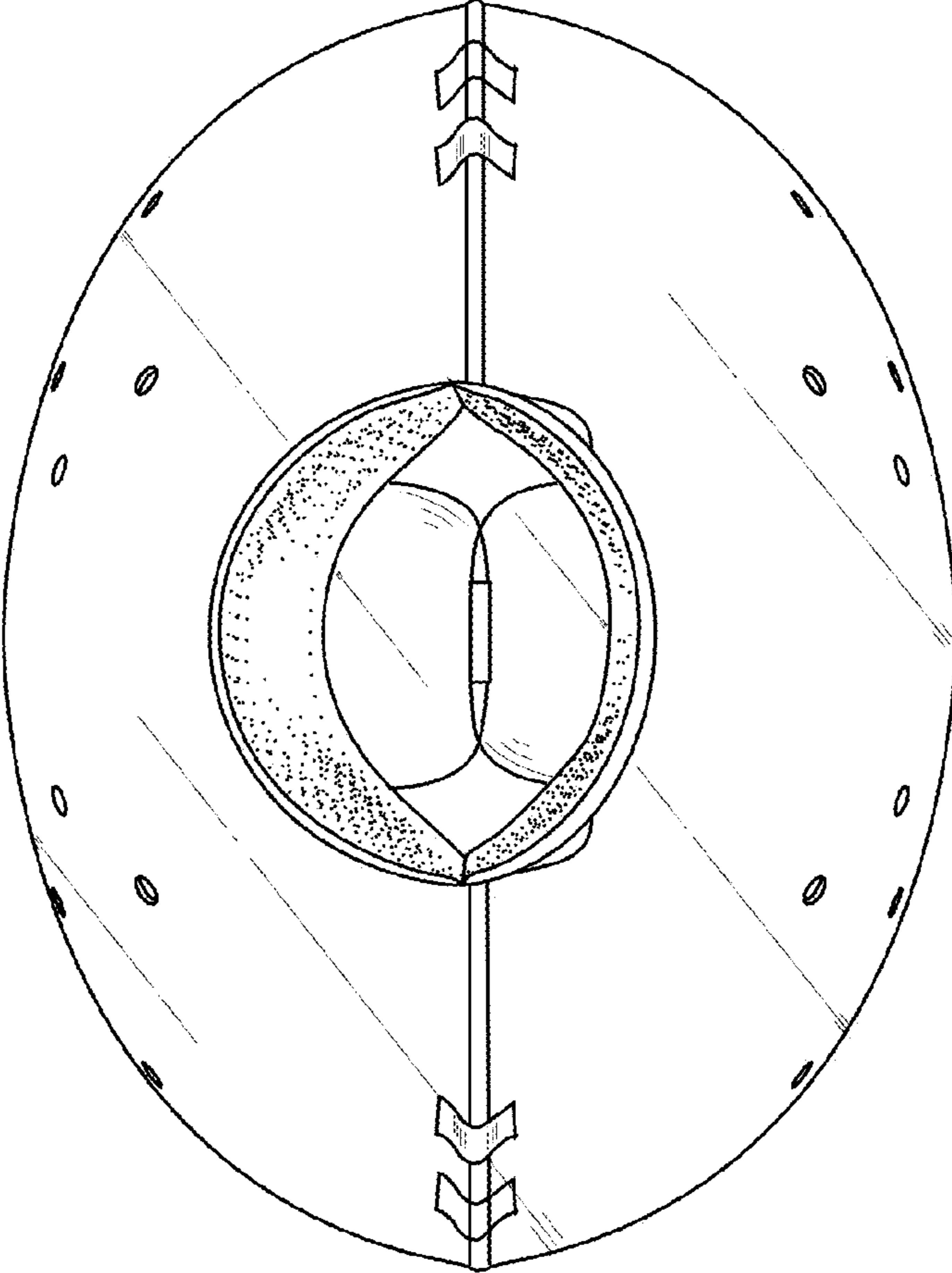


FIG. 1

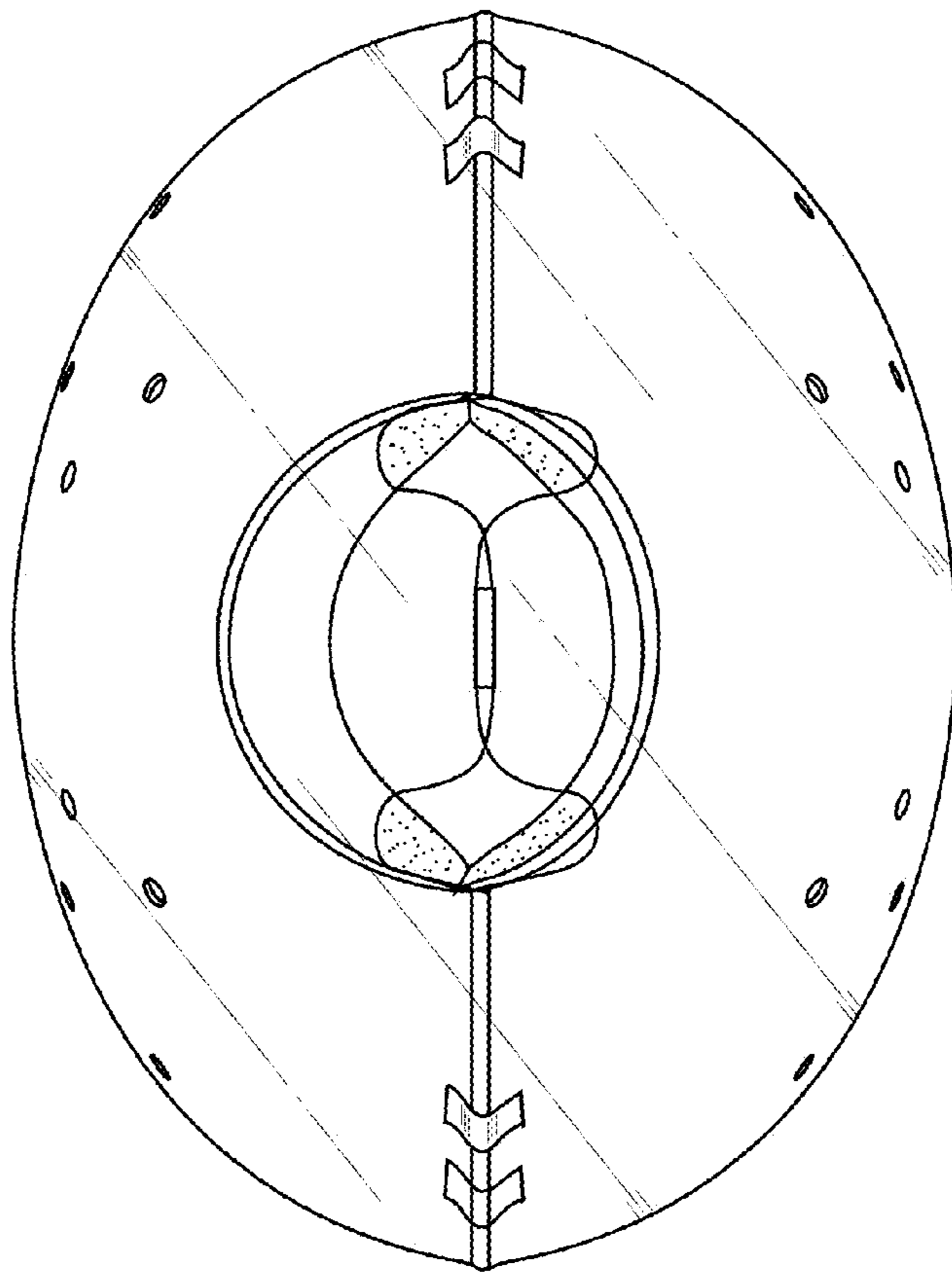


FIG. 2

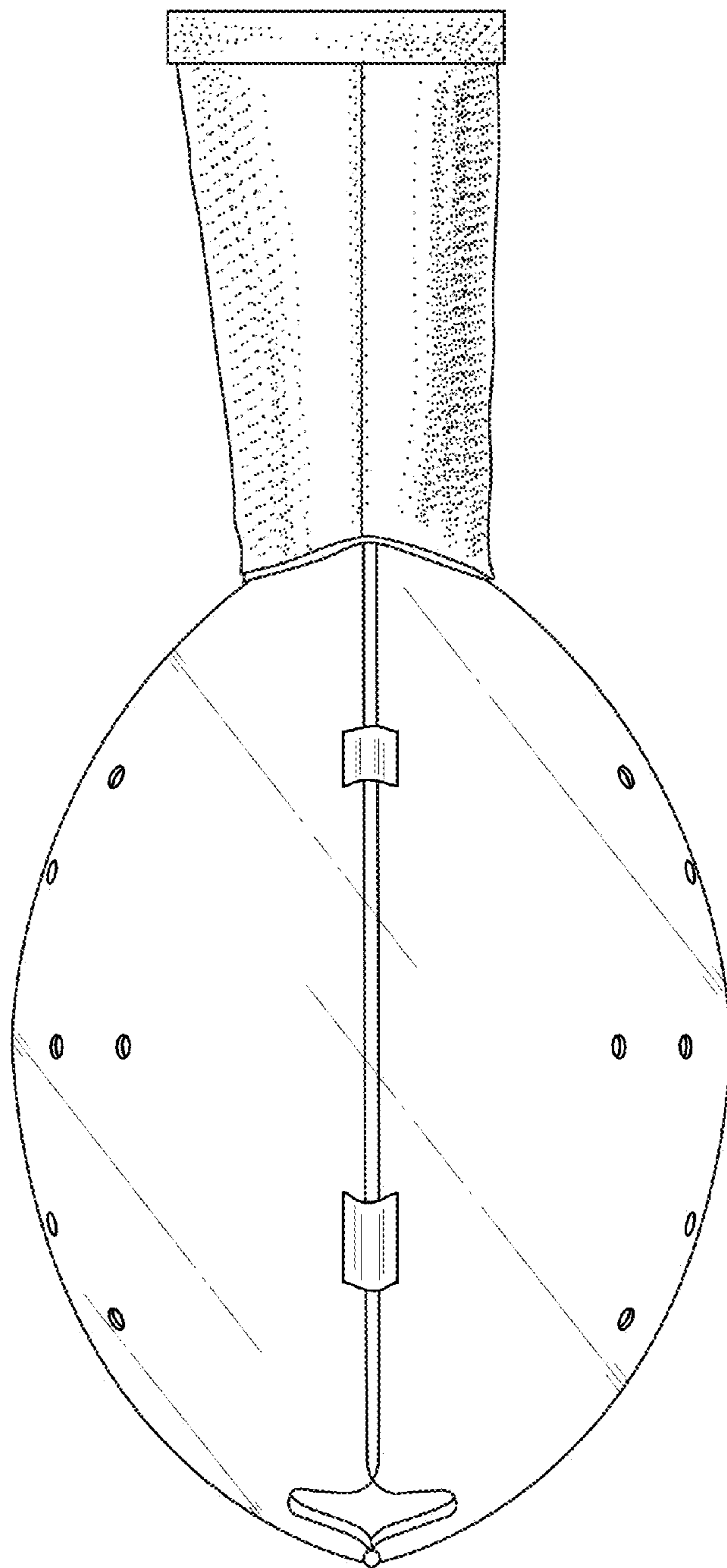


FIG. 3

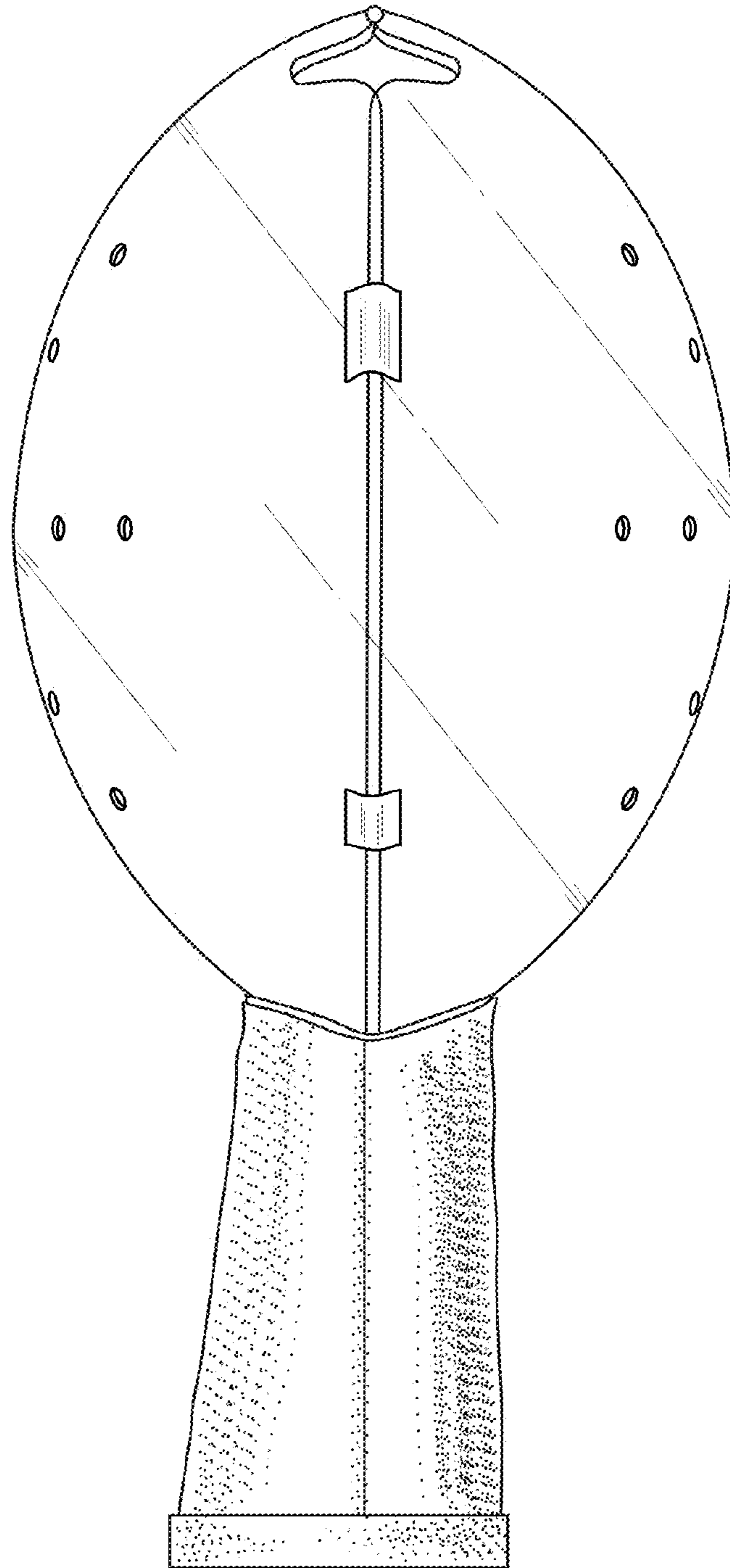


FIG. 4

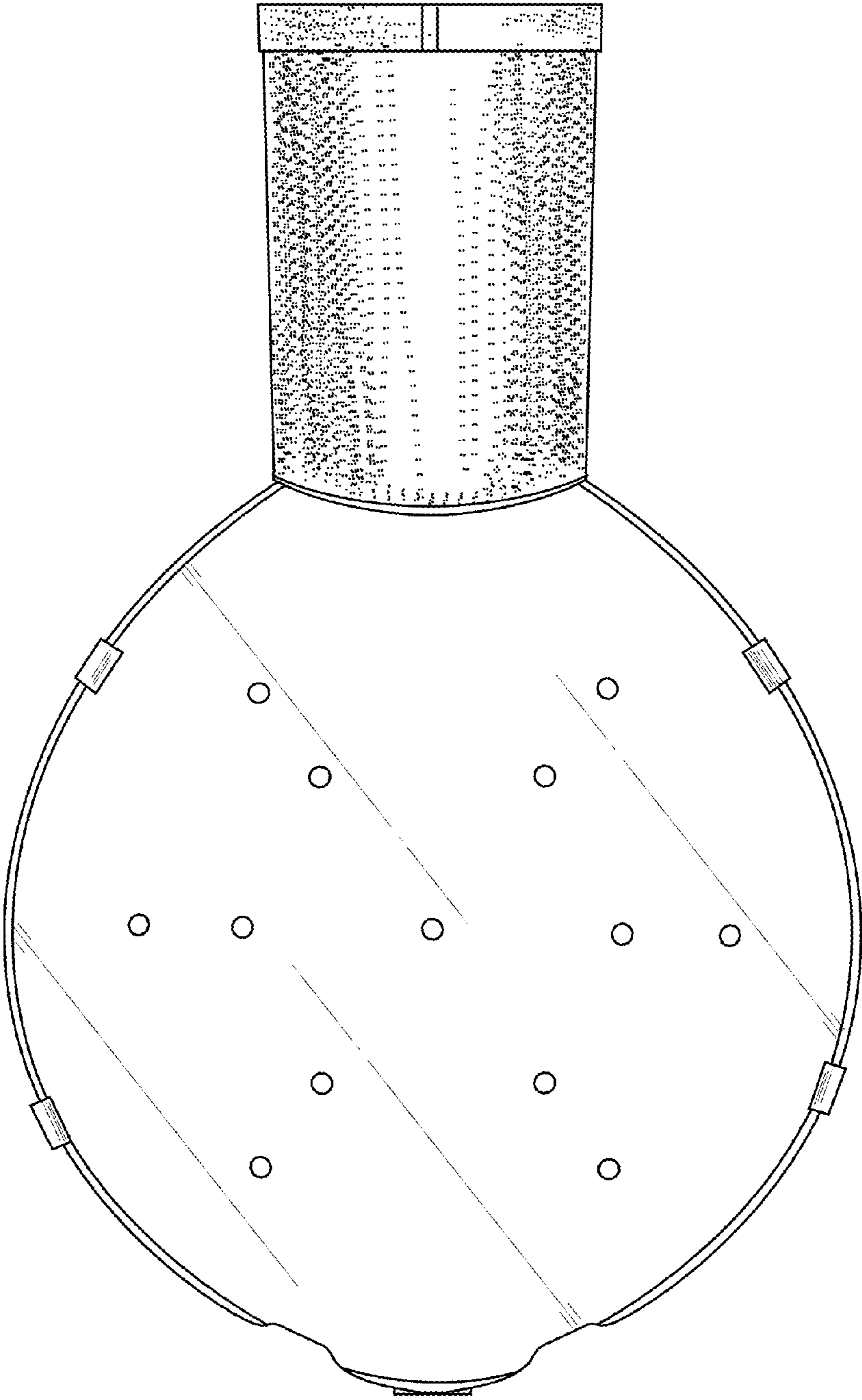


FIG. 5

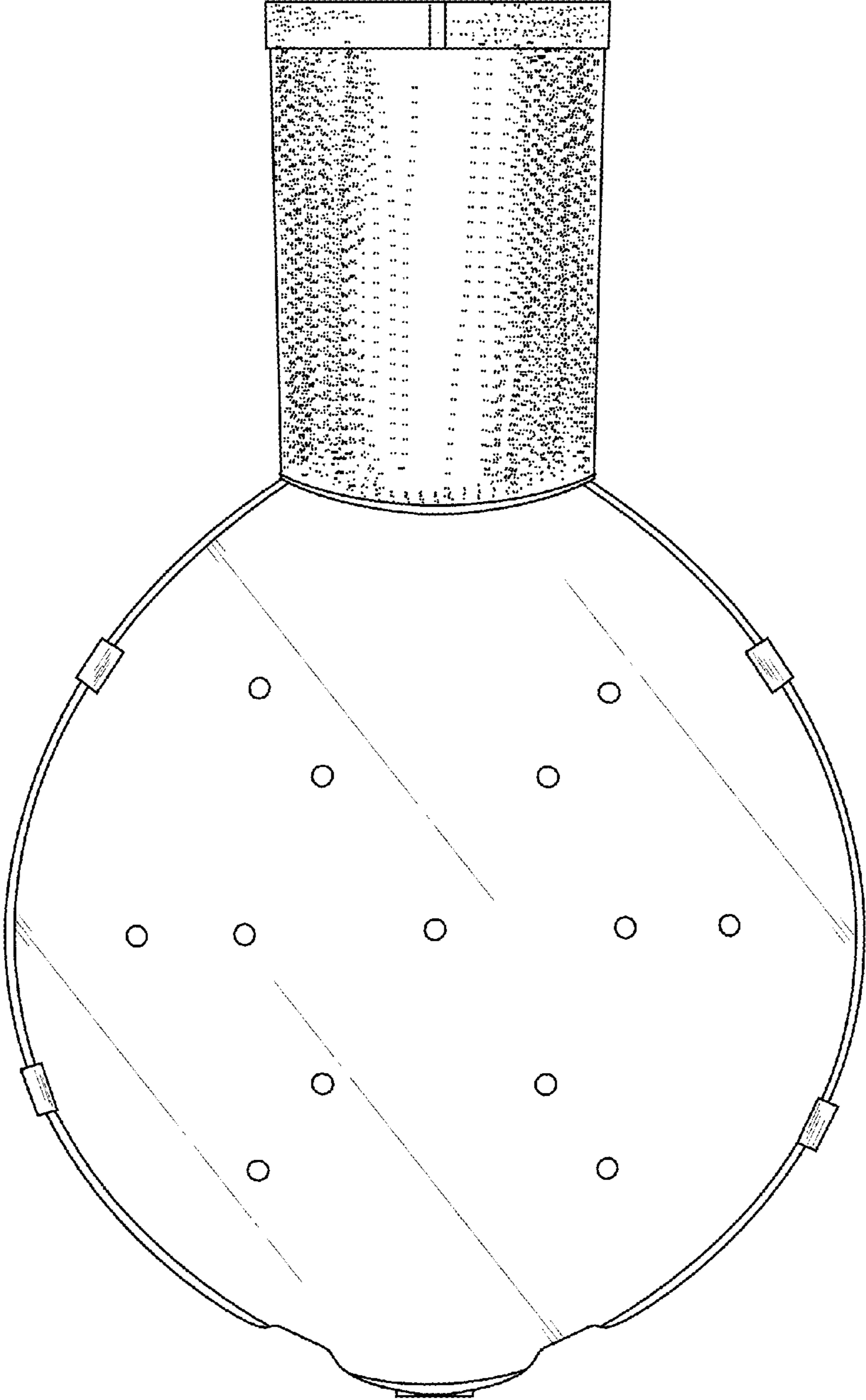


FIG. 6

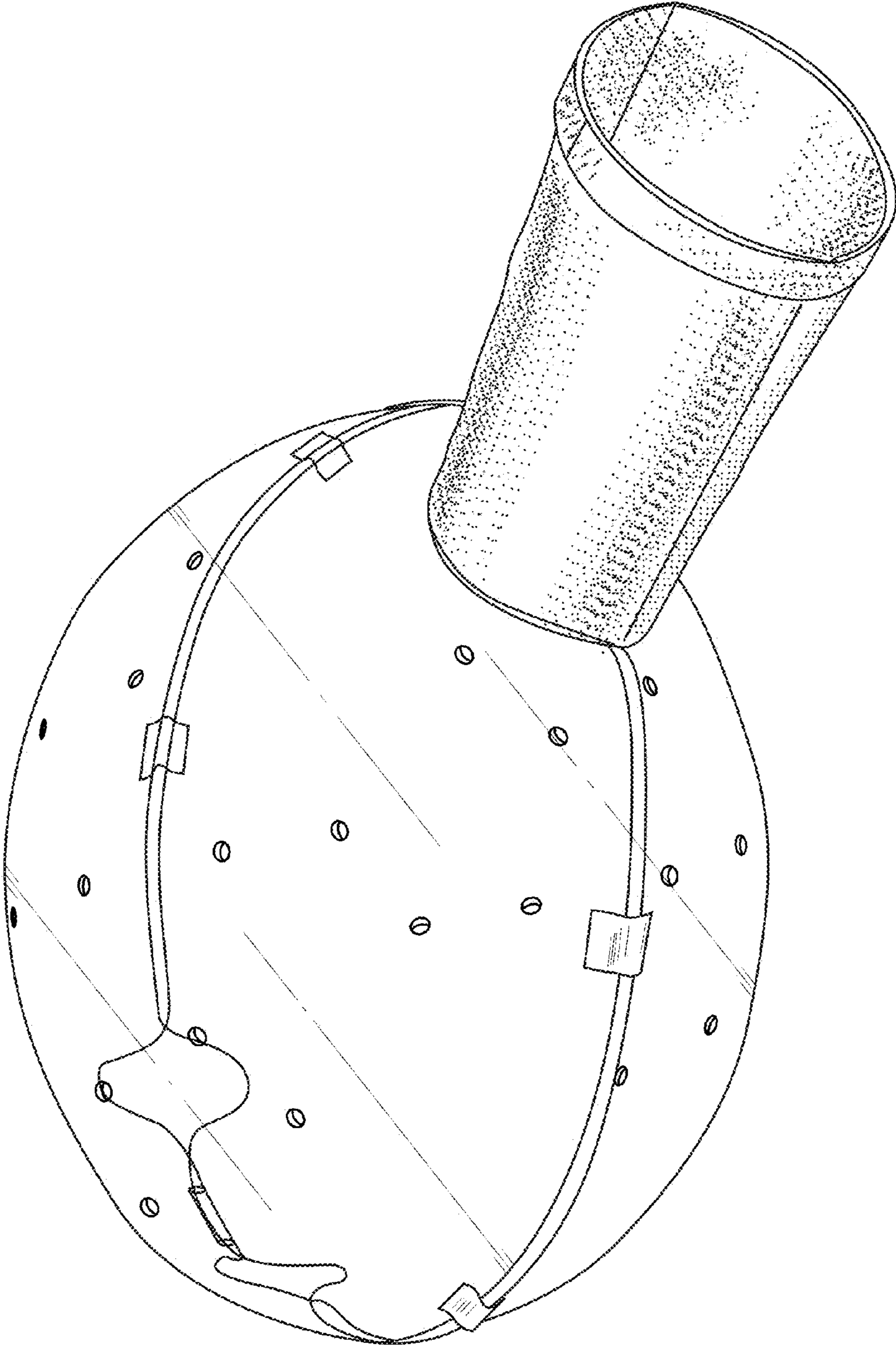


FIG. 7