



US00D748335S

(12) **United States Design Patent**
Goodman et al.

(10) **Patent No.:** **US D748,335 S**
(45) **Date of Patent:** **** Jan. 26, 2016**

(54) **HAIR DRYER HOLDER**

(71) Applicant: **Spectrum Diversified Designs, Inc.**,
Streetsboro, OH (US)

(72) Inventors: **Sheldon H. Goodman**, Solon, OH (US);
Phaysouk Xayoiphonh, Akron, OH
(US)

(73) Assignee: **Spectrum Diversified Designs, LLC**,
Streetsboro, OH (US)

(**) Term: **14 Years**

(21) Appl. No.: **29/495,545**

(22) Filed: **Jul. 2, 2014**

(51) **LOC (10) Cl.** **28-03**

(52) **U.S. Cl.**
USPC **D28/73; D28/38**

(58) **Field of Classification Search**

USPC D28/73, 77, 38, 18; D6/567, 566, 528,
D6/531, 527, 524, 525, 526, 537, 553, 513,
D6/562, 677.2; D7/600.1-600.4, 704, 601,
D7/619.1, 388; D8/373, 366, 352, 356,
D8/376, 380; 248/317; D22/147; D27/161;
D3/315
CPC A45D 44/04; A45D 20/00; A45D 20/12;
A45D 2020/126; A45D 2020/128; A45D
44/02; A45D 2001/002; A45D 20/16; A47F
5/00; A47F 5/01; A47F 5/13
See application file for complete search history.

(56) **References Cited**

U.S. PATENT DOCUMENTS

D311,651 S * 10/1990 Fetty D7/601
5,402,899 A * 4/1995 Ammeson B67D 3/0083

215/391
D373,849 S * 9/1996 Passalacqua D28/38
D375,229 S * 11/1996 DiBella D7/619.1

(Continued)

OTHER PUBLICATIONS

Wayfair.com, "hair dryer" tagged items under all bathroom accessories. Accessed on Oct. 6, 2015. (<http://www.wayfair.com/filters/All-Bathroom-Accessories-I363-c1773103-q~hair+dryer.html>).*

(Continued)

Primary Examiner — Jennifer Rivard

Assistant Examiner — April Rivas

(74) *Attorney, Agent, or Firm* — Benesch Friedlander
Coplan & Aronoff LLP

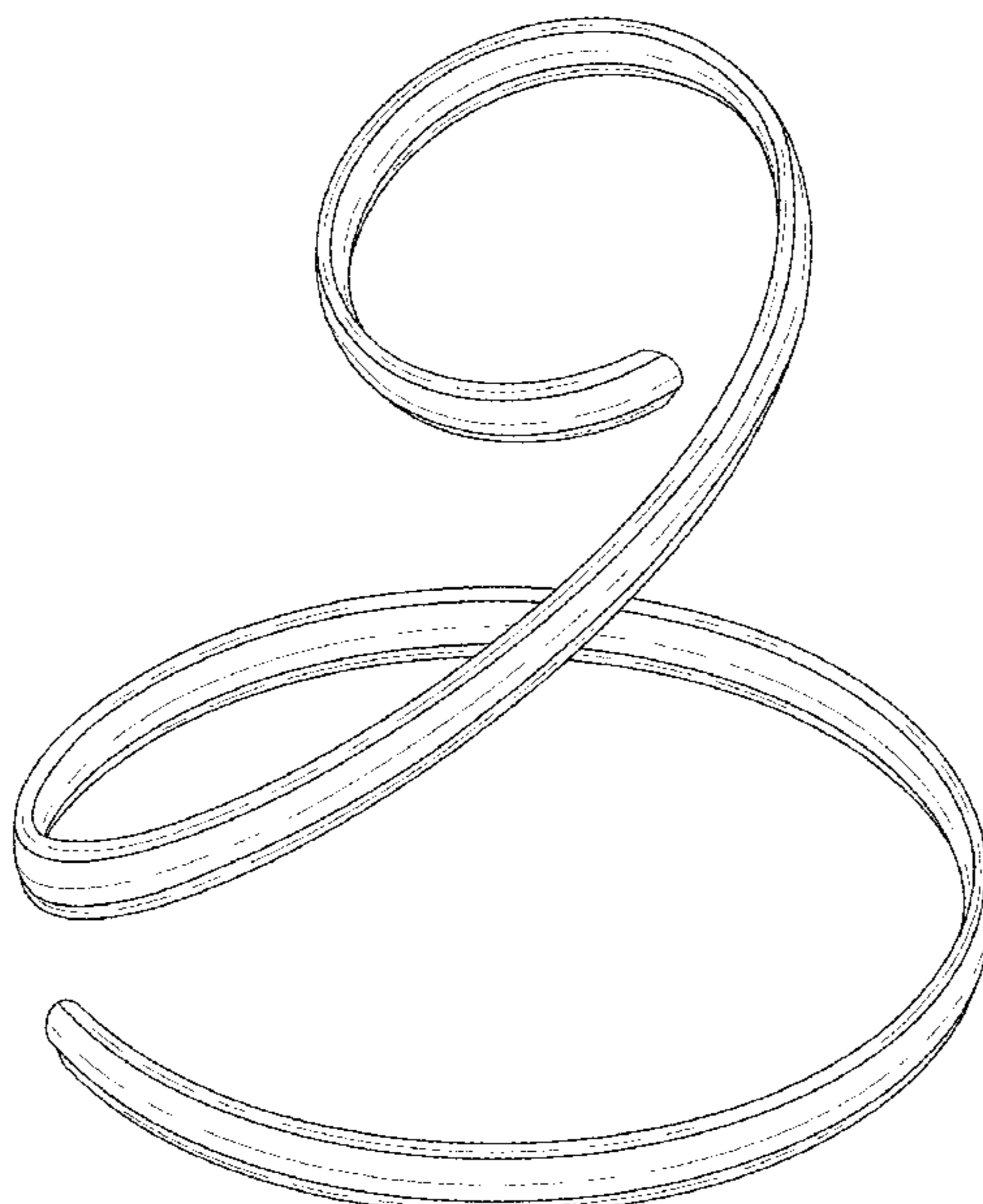
(57) **CLAIM**

What is claimed is the ornamental design for a hair dryer holder, as shown and described.

DESCRIPTION

FIG. 1 is a perspective view of a hair dryer holder showing a new design;
FIG. 2 is a top view of the hair dryer holder of FIG. 1;
FIG. 3 is a cross-sectional view taken along line 3-3 of FIG. 2;
FIG. 4 is a front view of the hair dryer holder of FIG. 1;
FIG. 5 is a bottom view of the hair dryer holder of FIG. 1;
FIG. 6 is a rear view of the hair dryer holder of FIG. 1;
FIG. 7 is a right side view of the hair dryer holder of FIG. 1;
FIG. 8 is a left side view of the hair dryer holder of FIG. 1;
FIG. 9 is a perspective view another embodiment of the hair dryer holder of FIG. 1; and,
FIG. 10 is a cross-sectional view along line 10-10 of FIG. 9.
The components of the display shown in broken lines illustrate portions of the hair dryer holder form no part of the claimed design.

1 Claim, 4 Drawing Sheets



(56)

References Cited

U.S. PATENT DOCUMENTS

D377,996 S * 2/1997 Gilbert D28/38
D416,071 S * 11/1999 Sizer D19/84
D441,222 S * 5/2001 Higazy D6/677.2
D458,799 S * 6/2002 Andujar D7/387
D474,943 S * 5/2003 Olsen D3/315
D496,220 S * 9/2004 Miller D7/387
D558,925 S * 1/2008 Skyles D28/18
D568,203 S * 5/2008 Lindberg D11/146
D593,820 S * 6/2009 Goodman D7/704
D631,714 S * 2/2011 Chen D7/704
D632,908 S * 2/2011 Tincher D6/513

D669,635 S * 10/2012 Goodman D28/38
D669,636 S * 10/2012 Goodman D28/38
D736,463 S * 8/2015 Bentley D28/10
D738,037 S * 9/2015 Zayat D27/161
2012/0324755 A1* 12/2012 Zhao A45D 20/12
34/427

OTHER PUBLICATIONS

Google.com image search “coil hair dryer holder”, date restricted to show results prior to Jul. 2, 2013.*

Google.com image search “wire wine holder single”, date restricted to show results prior to Jul. 2, 2013.*

* cited by examiner

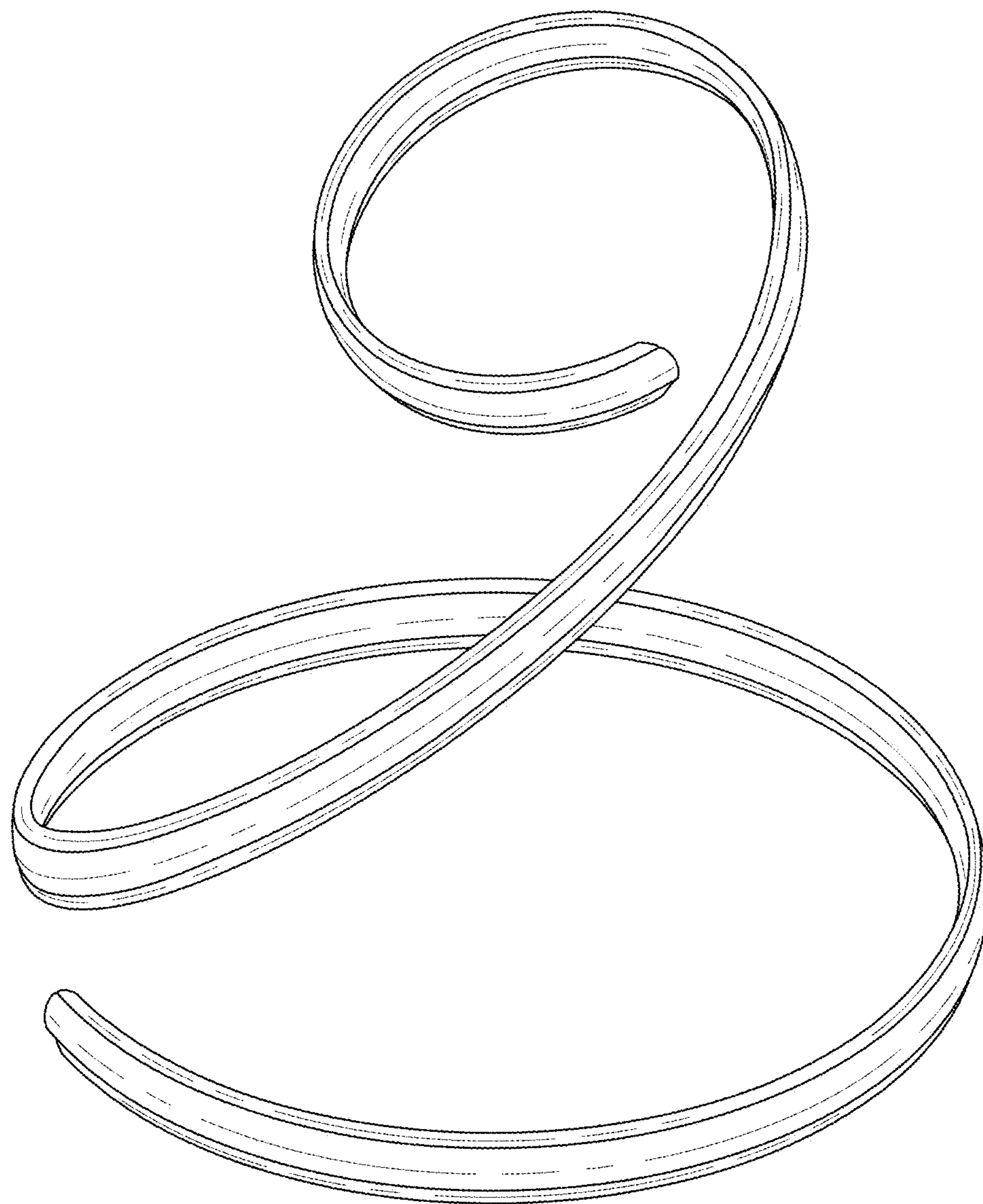


FIG. 1

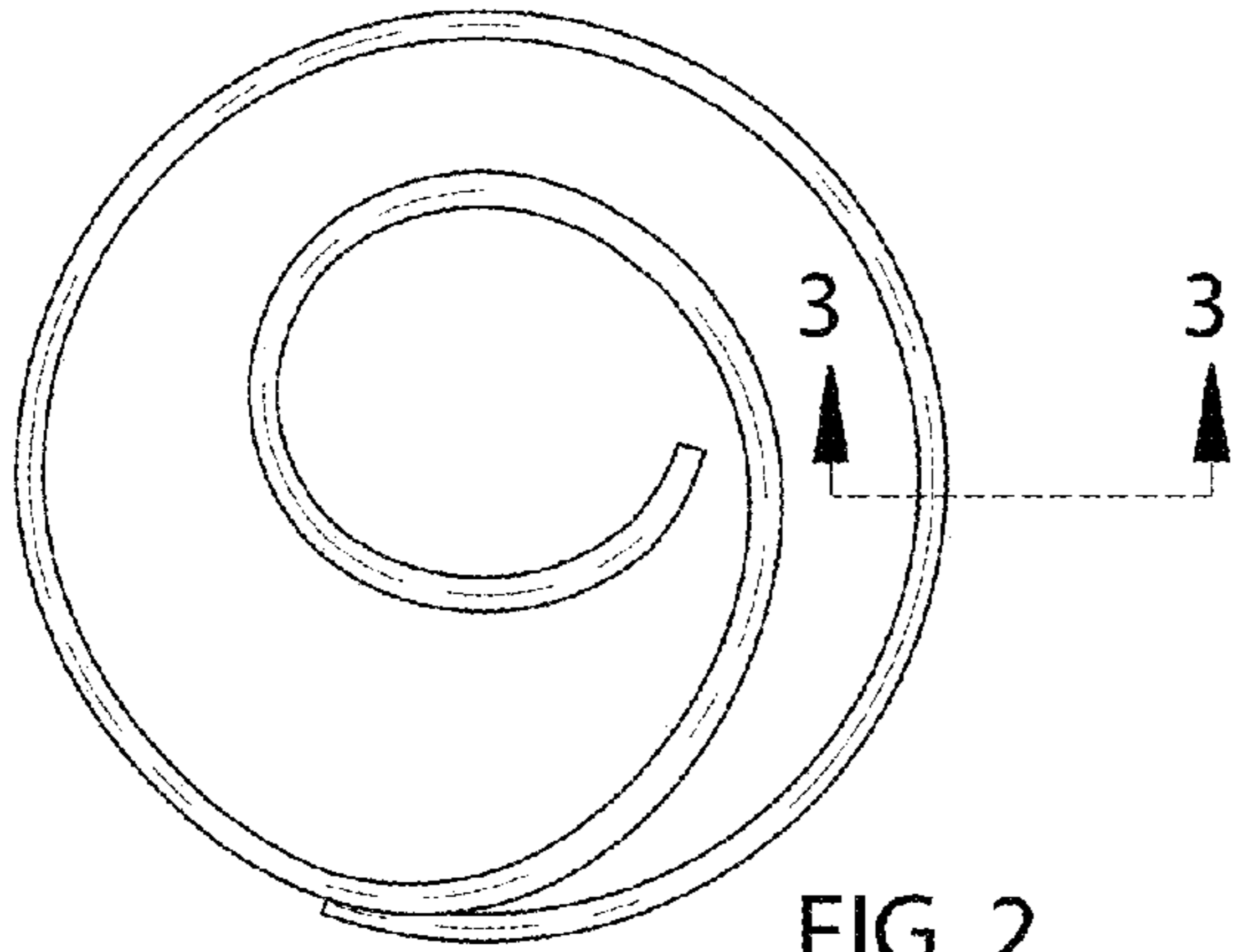


FIG. 2



FIG. 3

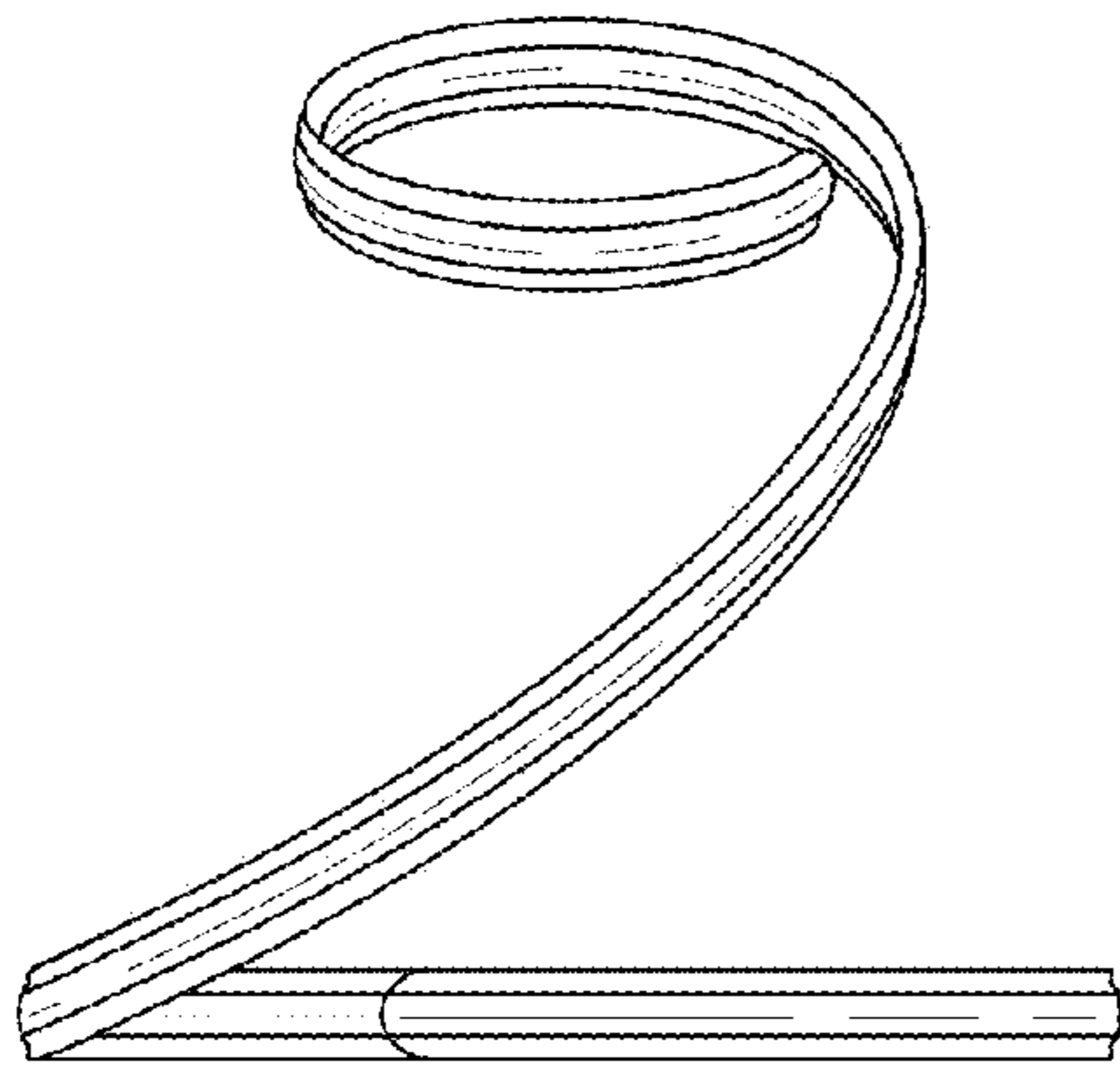


FIG. 4

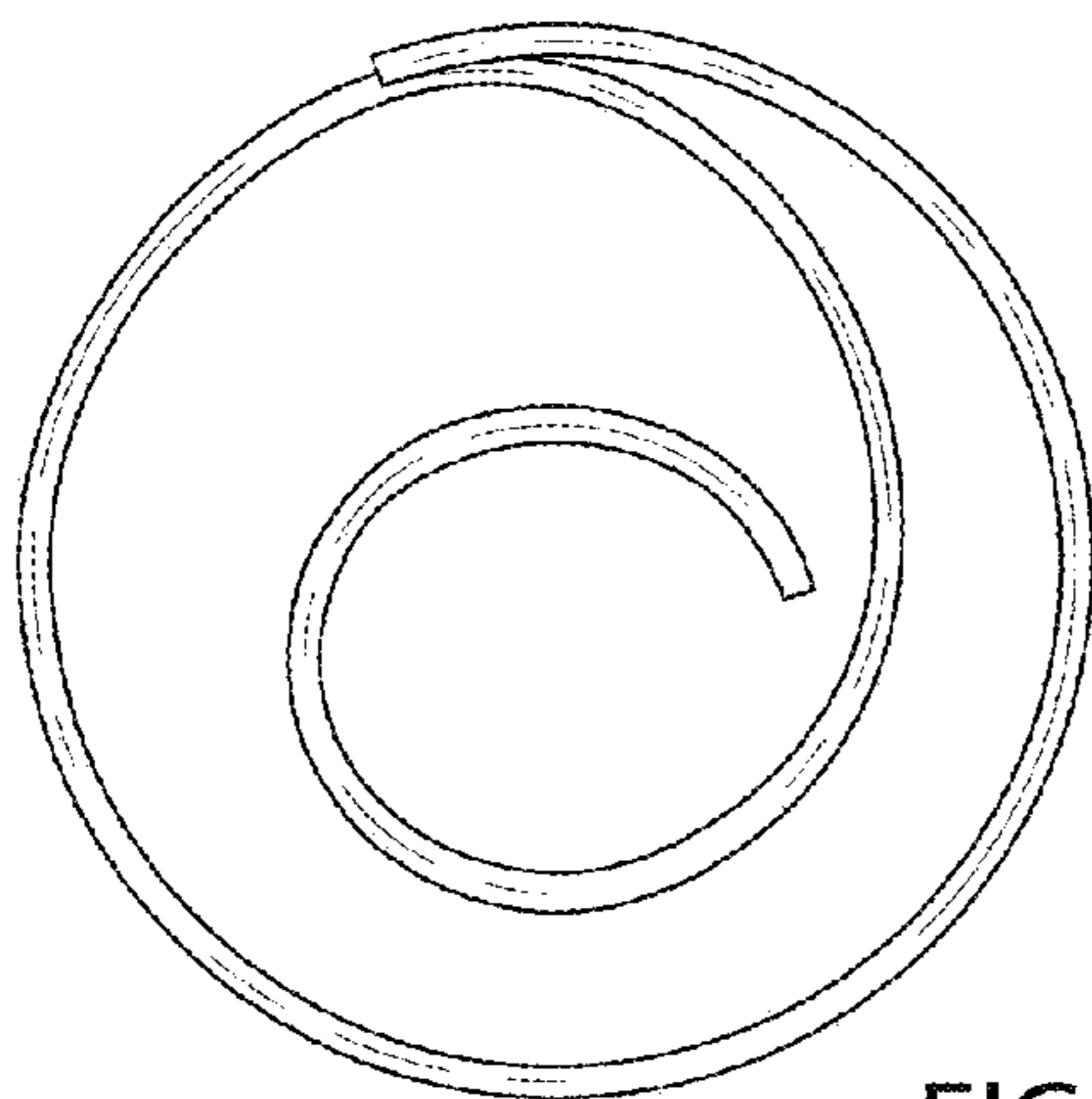


FIG. 5

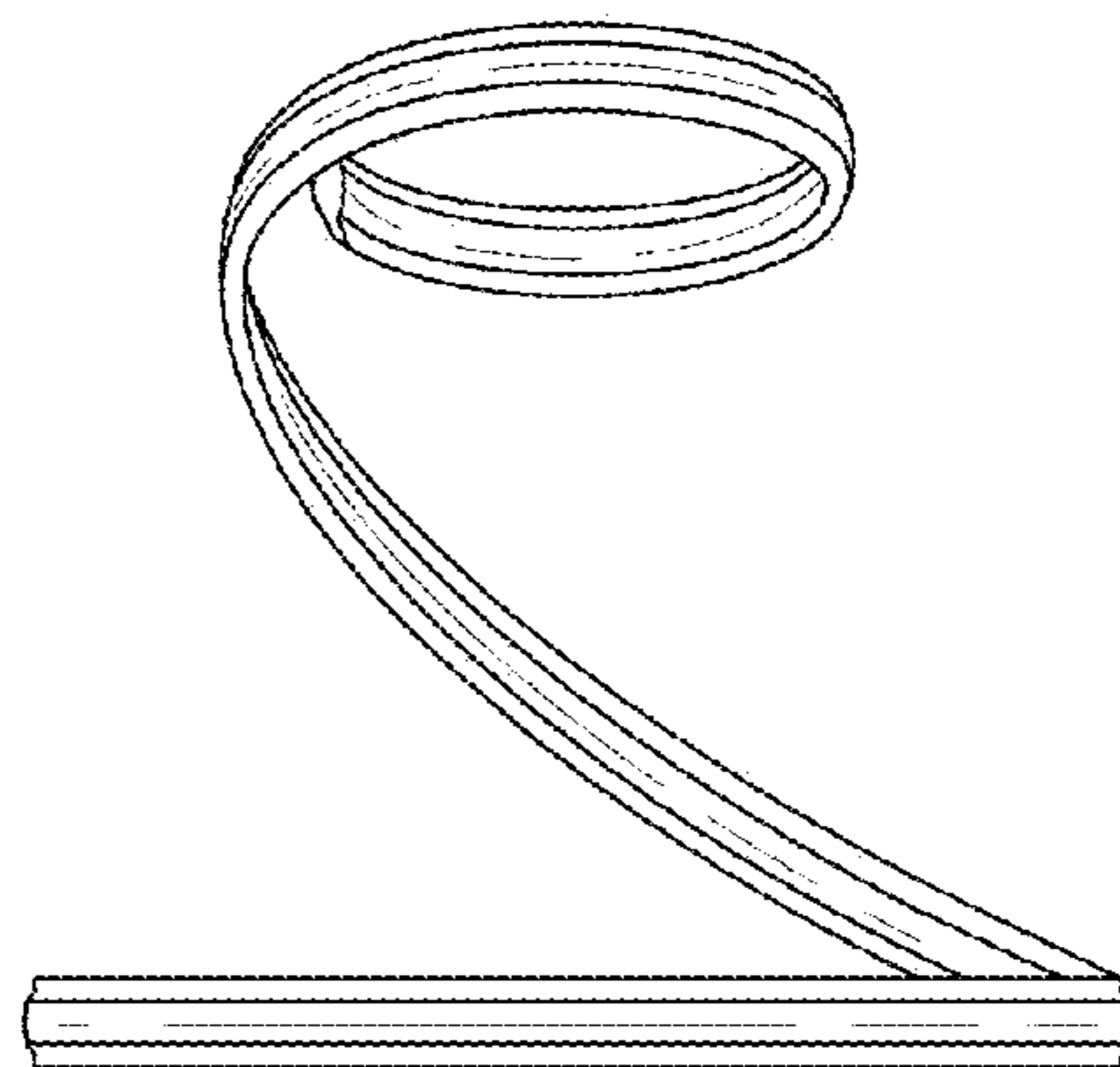


FIG. 6

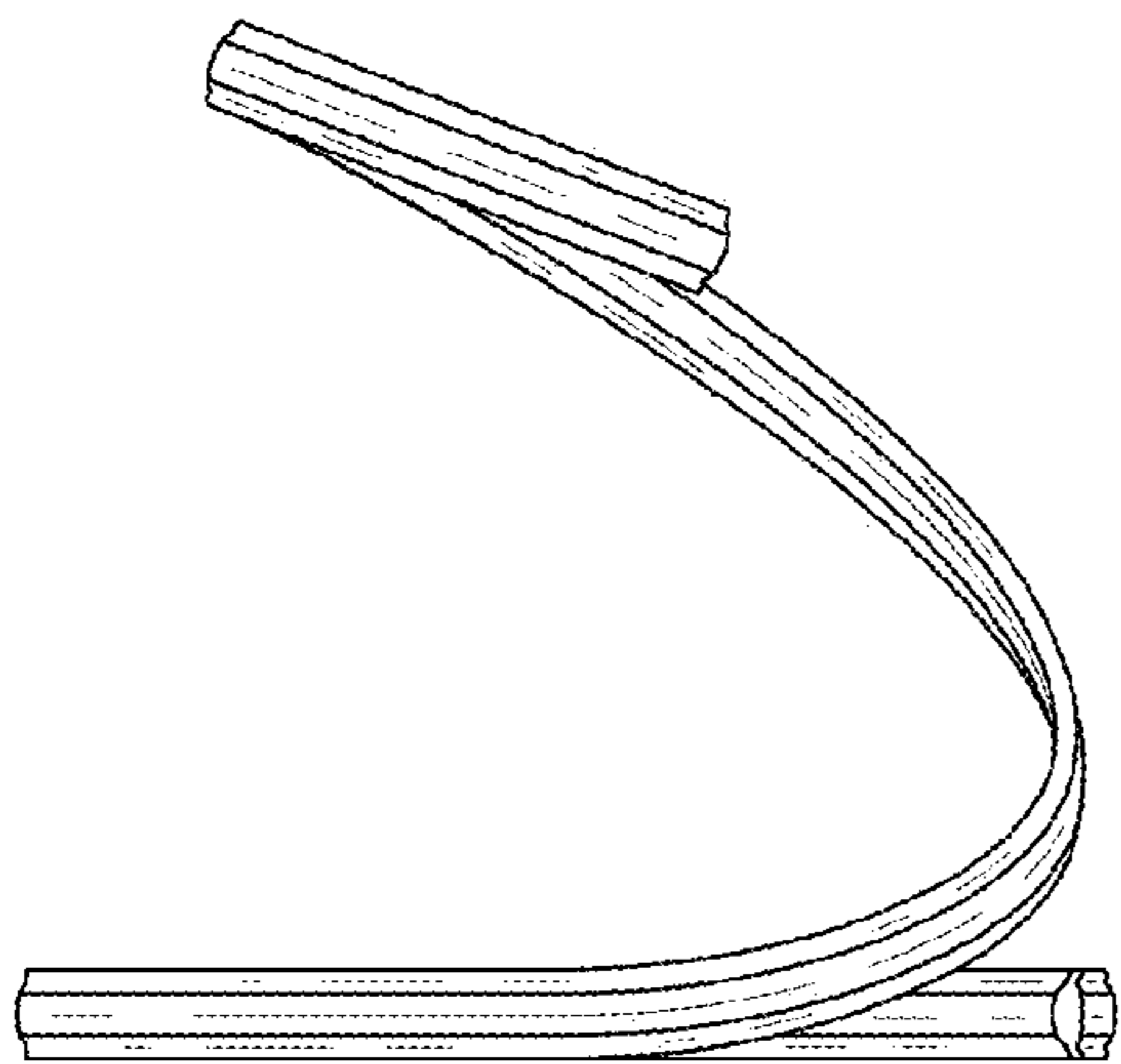


FIG. 7

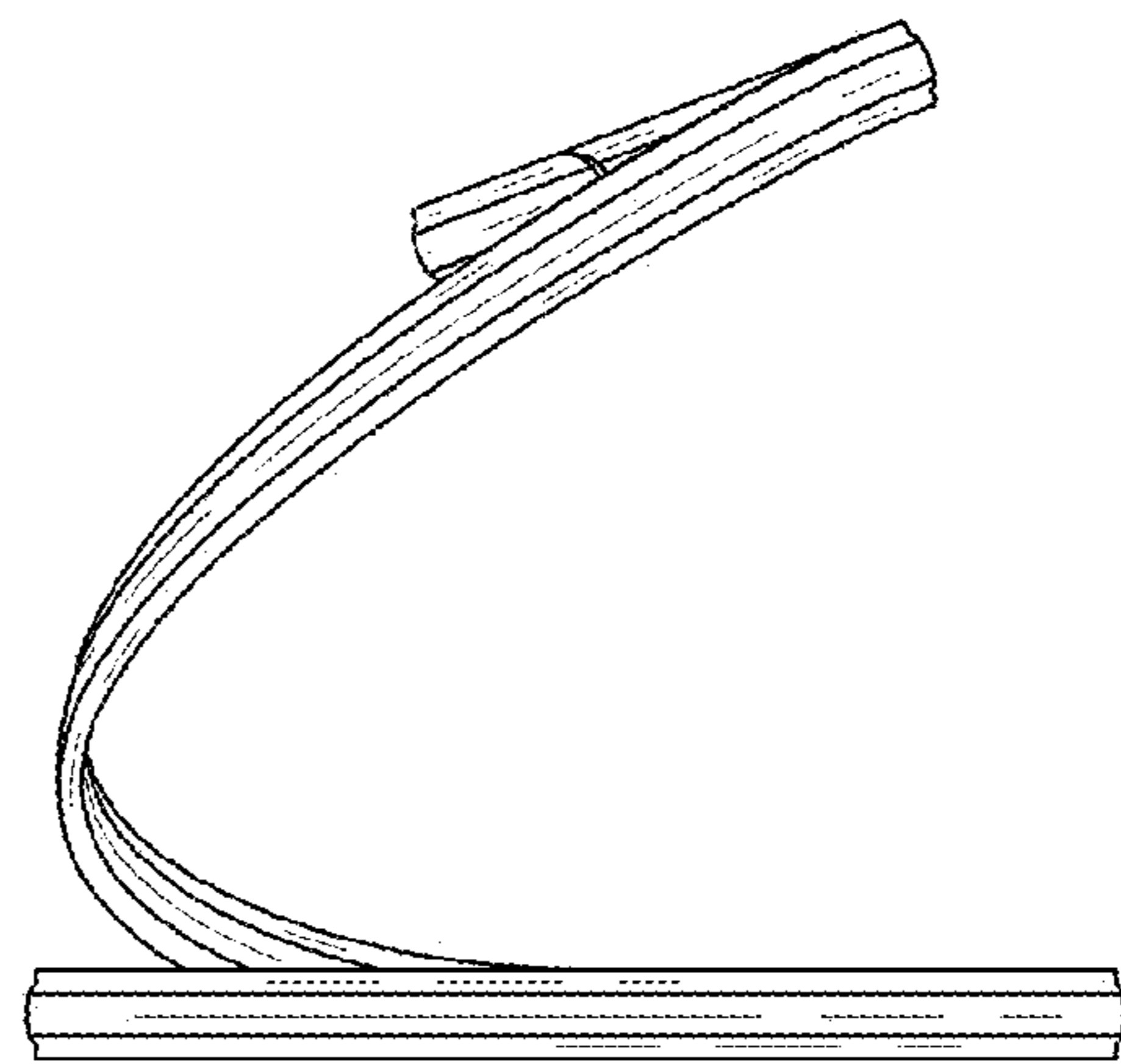


FIG. 8

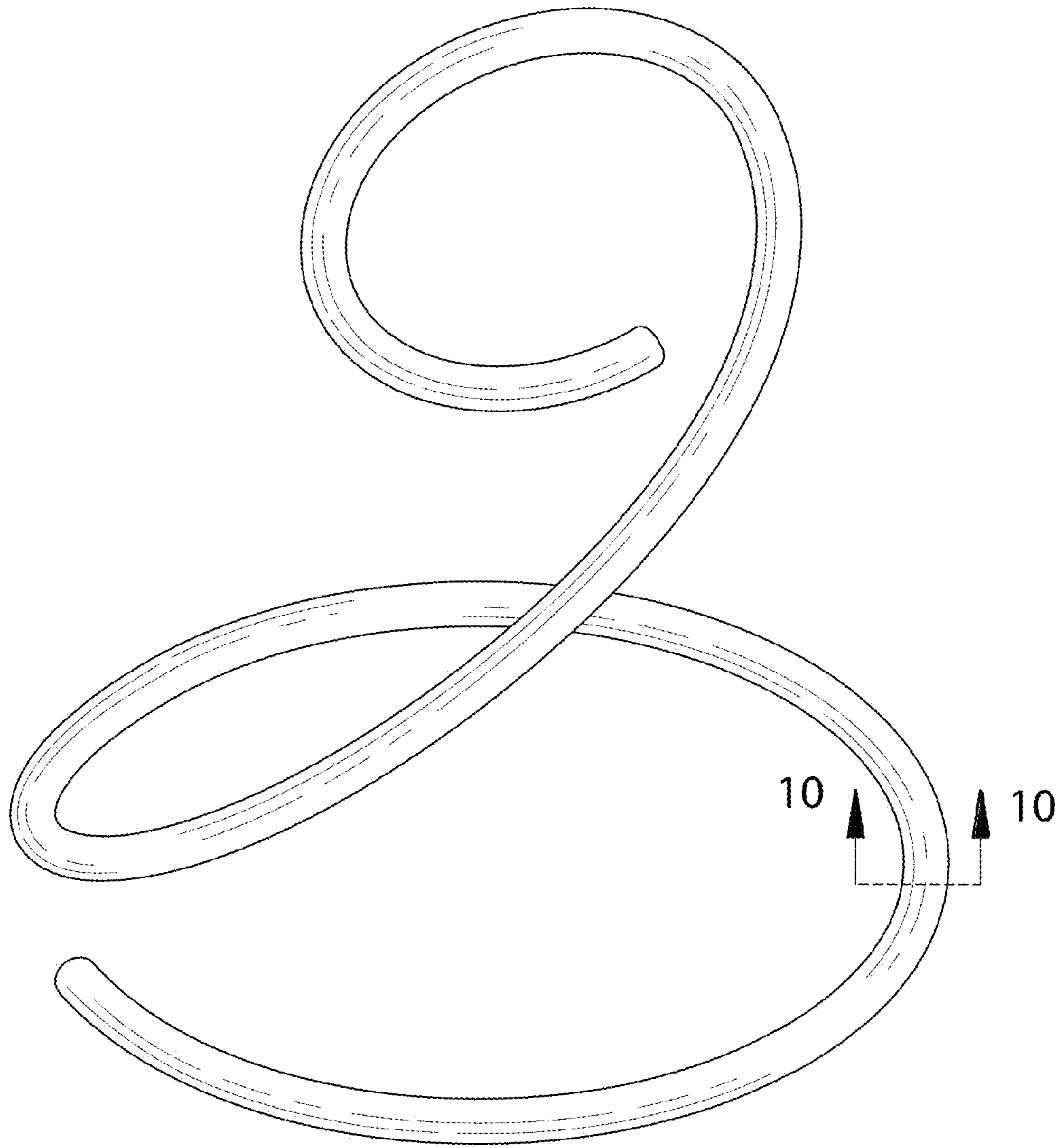


FIG. 9

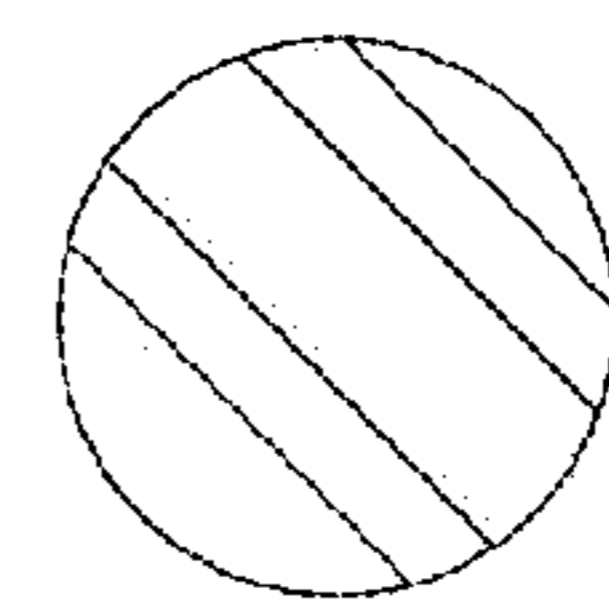


FIG. 10