



US00D748334S

(12) **United States Design Patent**
Goodman et al.

(10) **Patent No.:** **US D748,334 S**
(45) **Date of Patent:** **** Jan. 26, 2016**

- (54) **HAIR DRYER HOLDER**
- (71) Applicant: **Spectrum Diversified Designs, Inc.**,
Streetsboro, OH (US)
- (72) Inventors: **Sheldon H. Goodman**, Solon, OH (US);
Phaysouk Xayoiphonh, Akron, OH
(US); **Jennifer Case**, Middleburg
Heights, OH (US)
- (73) Assignee: **Spectrum Diversified Designs, LLC**,
Streetsboro, OH (US)
- (**) Term: **14 Years**
- (21) Appl. No.: **29/492,361**
- (22) Filed: **May 30, 2014**
- (51) **LOC (10) Cl.** **28-03**
- (52) **U.S. Cl.**
USPC **D28/73**; D28/38; D6/566
- (58) **Field of Classification Search**
USPC D28/73, 77, 38; D6/567, 566, 528, 531,
D6/527, 524, 525, 526, 537, 553, 513;
D7/600.1-600.4, 704; D8/373, 366,
D8/352, 356, 376, 380; 248/317
CPC A45D 44/04; A45D 20/00; A45D 20/12;
A45D 2020/126; A45D 2020/128; A45D
44/02; A45D 2001/002; A45D 20/16; A47F
5/00; A47F 5/01; A47F 5/13
See application file for complete search history.

(56) **References Cited**

U.S. PATENT DOCUMENTS

D180,676 S *	7/1957	Thorpe	D7/704
D328,216 S *	7/1992	Steed	D6/567
D373,849 S *	9/1996	Passalacqua	D28/38
D400,037 S *	10/1998	Bartholow	D6/566
D430,441 S *	9/2000	Rosenberg	D6/566
D554,927 S *	11/2007	Smith	D6/566
D577,989 S *	10/2008	Ernst et al.	D8/373

D628,835 S *	12/2010	Valentine, Jr.	D6/513
D632,136 S *	2/2011	Chen	D7/600.1
D632,908 S *	2/2011	Tincher	D6/513
D657,201 S *	4/2012	Chen	D7/600.1
D669,635 S *	10/2012	Goodman et al.	D28/73
D669,636 S *	10/2012	Goodman et al.	D28/73
D697,673 S *	1/2014	Wright	D28/73

(Continued)

OTHER PUBLICATIONS

google.com image search "wall hair dryer holder". Date restricted to show results prior to May 30, 2013. Accessed Oct. 6, 2015. (https://www.google.com/search?q=wall+hair+dryer+holder&es_sm=122&biw=1920&bih=1067&source=Int&tbs=cdr%3A1%2Ccd_min%3A%2Ccd_max%3A5%2F30%2F2013&tbm=isch#imgcr=_.)*

(Continued)

Primary Examiner — Jennifer Rivard

Assistant Examiner — April Rivas

(74) *Attorney, Agent, or Firm* — Benesch Friedlander Coplan & Aronoff LLP

(57) **CLAIM**

What is claimed is the ornamental design for a hair dryer holder, as shown and described.

DESCRIPTION

FIG. 1 is a perspective view of a hair dryer holder showing a new design;

FIG. 2 is a top view of the hair dryer holder of FIG. 1;

FIG. 3 is a front view of the hair dryer holder of FIG. 1;

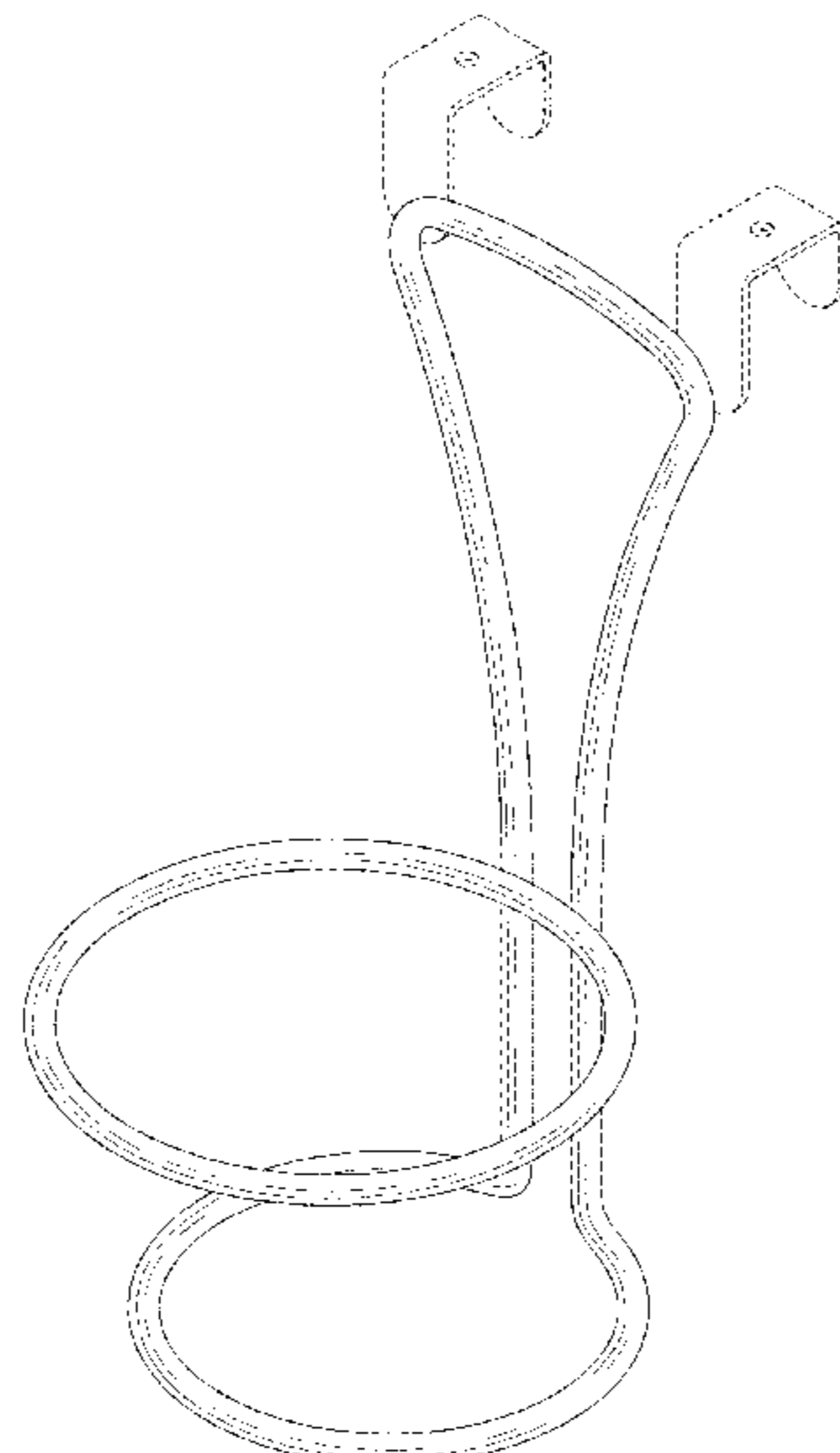
FIG. 4 is a side view of the hair dryer holder of FIG. 1;

FIG. 5 is a rear view of the hair dryer holder of FIG. 1; and,

FIG. 6 is a bottom view of the hair dryer holder of FIG. 1.

The components of the display shown in broken lines illustrate portions of the hair dryer holder which form no part of the claimed design.

1 Claim, 2 Drawing Sheets



(56)

References Cited

U.S. PATENT DOCUMENTS

D703,381 S * 4/2014 Petruccelli D28/73
D729,456 S * 5/2015 Craven D28/76
2006/0289367 A1* 12/2006 Cossey 211/13.1
2012/0324755 A1* 12/2012 Zhao 34/427

OTHER PUBLICATIONS

Wayfair.com, products listed under "Hair dryer" in Bathroom Accessories. Accessed Oct. 6, 2015. (<http://www.wayfair.com/filters/All-Bathroom-Accessories-l363-c1773103-q~hair+dryer.html>).*

* cited by examiner

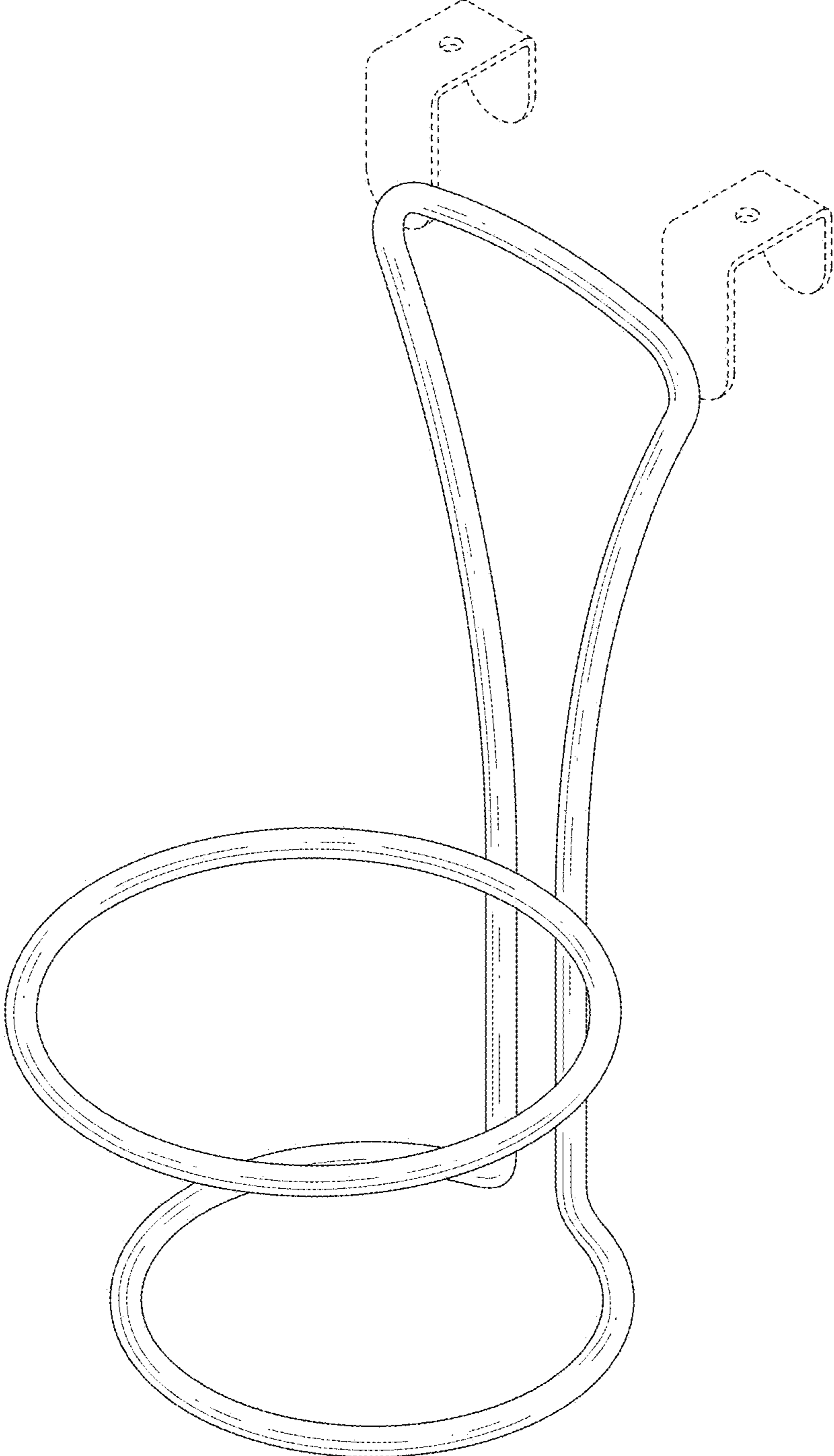


FIG 1

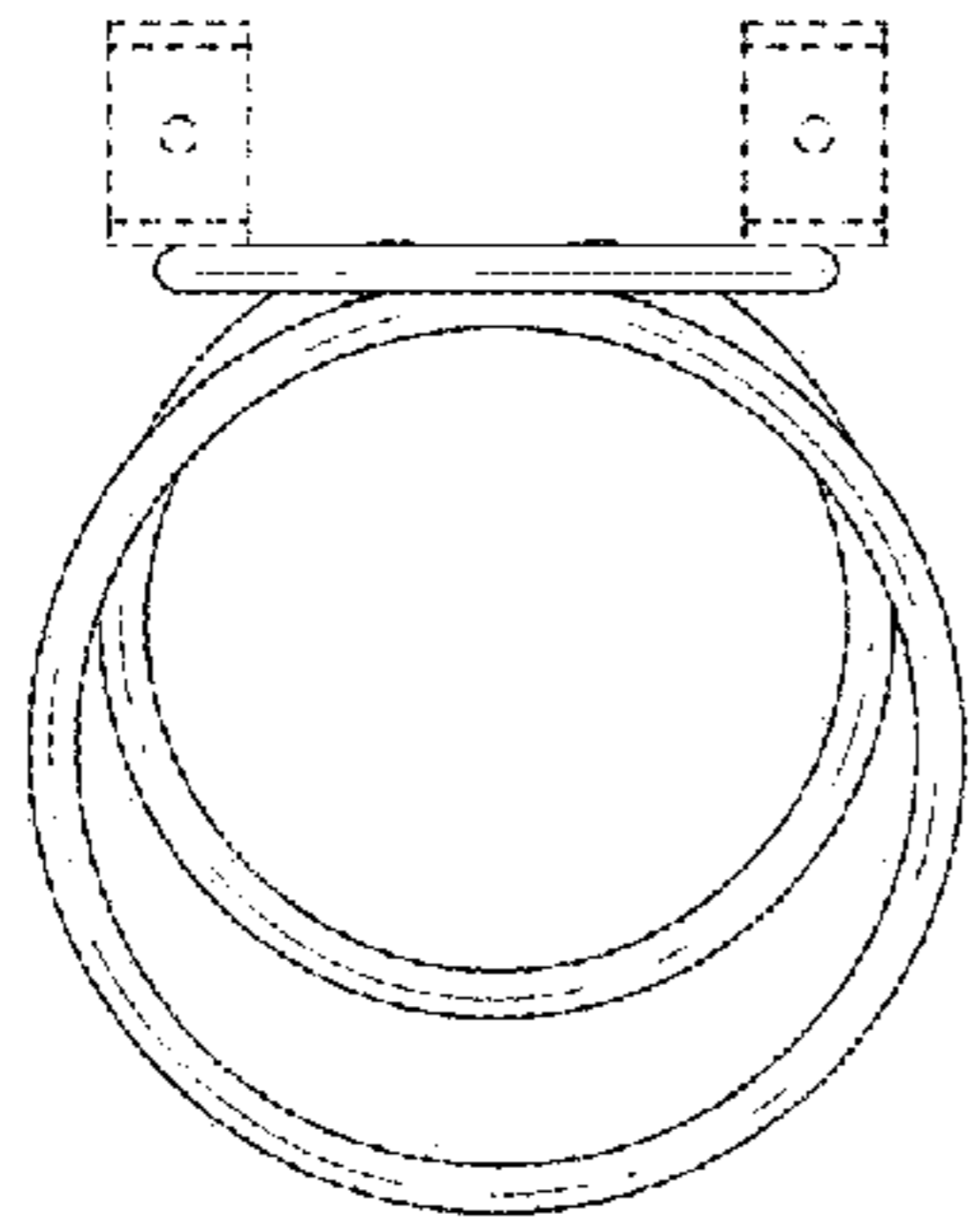


FIG 2

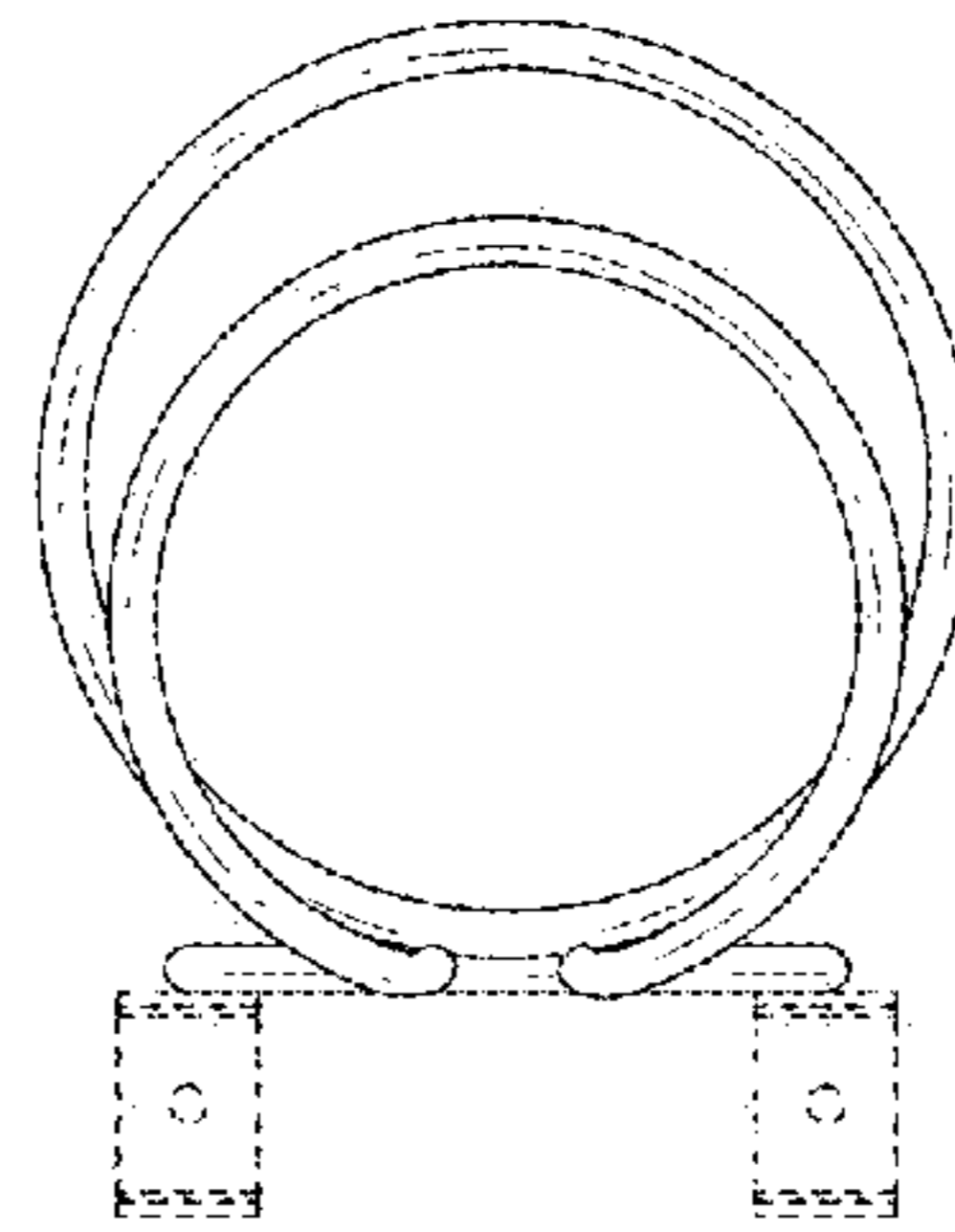


FIG 6

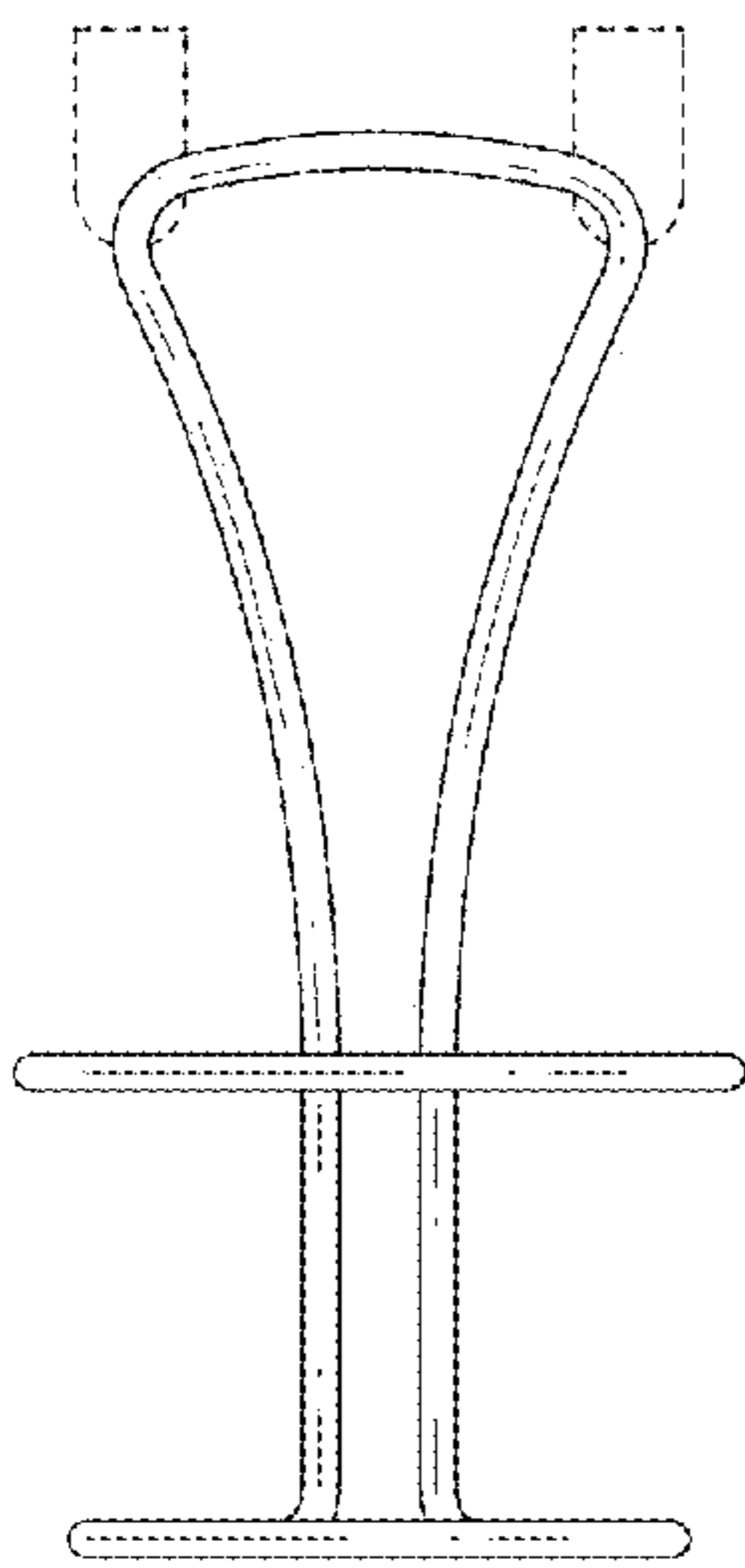


FIG 3

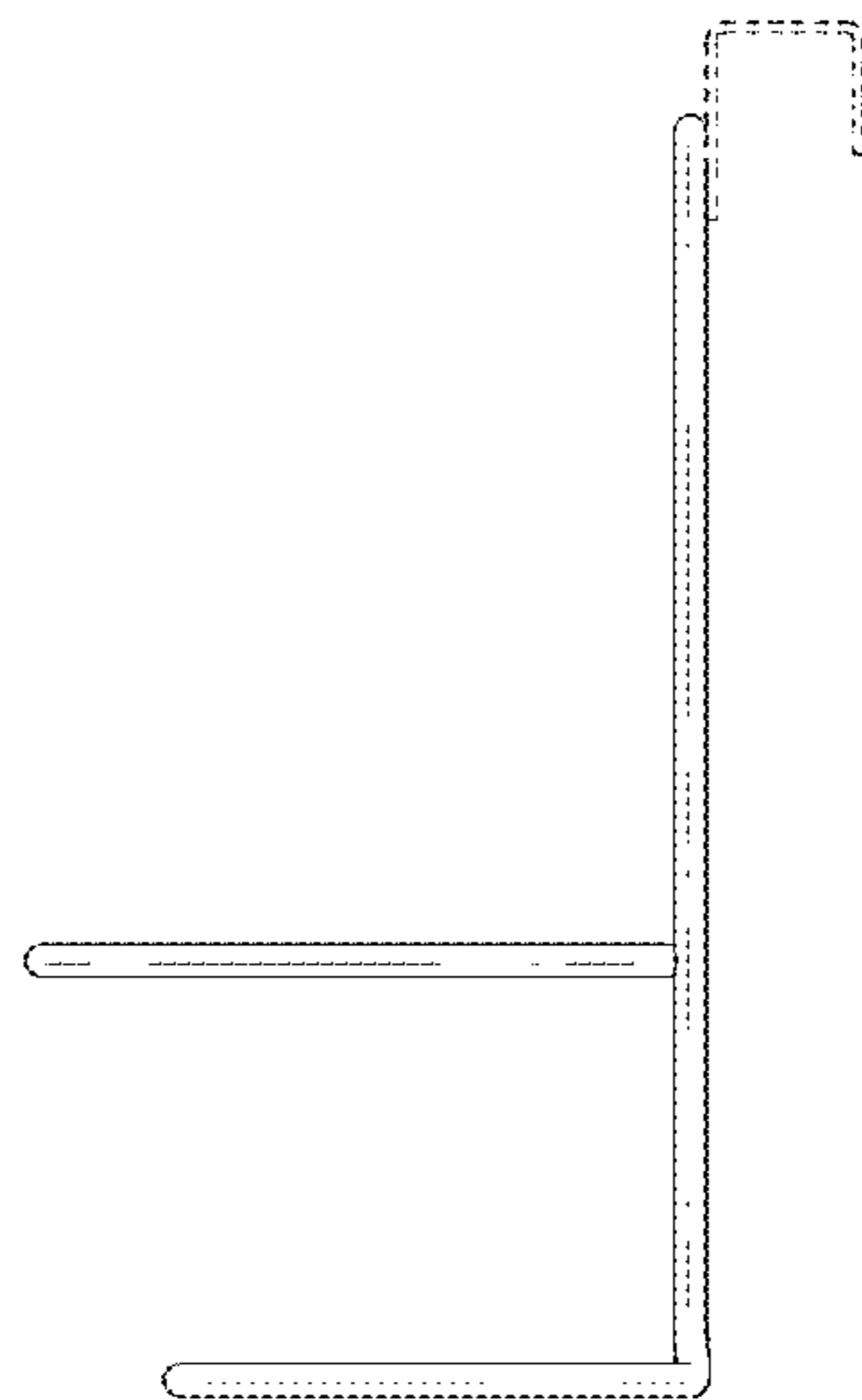


FIG 4

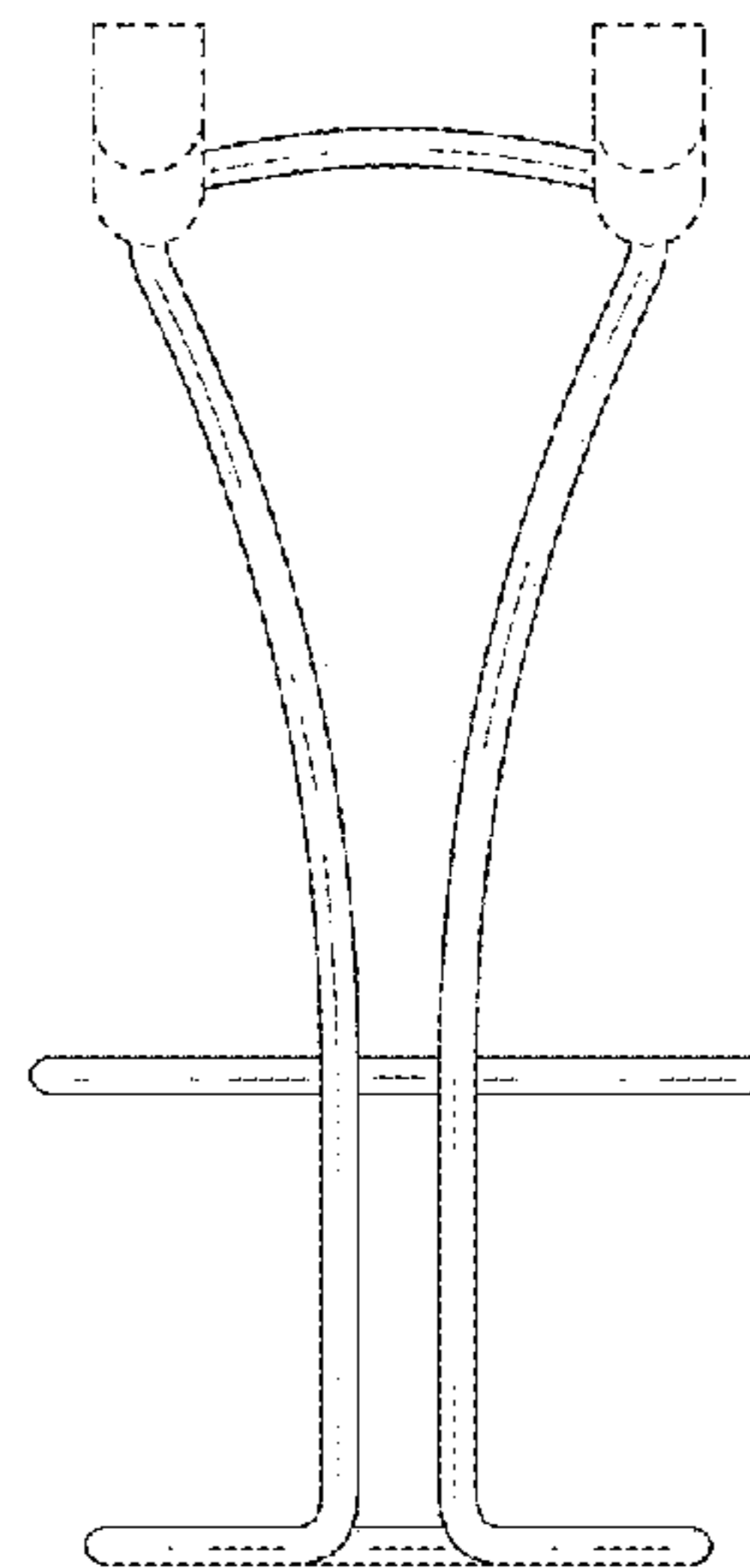


FIG 5