



US00D748331S

(12) **United States Design Patent**
Prats

(10) **Patent No.:** **US D748,331 S**
(45) **Date of Patent:** **** Jan. 26, 2016**

(54) **CURLER**

(71) Applicant: **Jorge Prats**, River Edge, NJ (US)

(72) Inventor: **Jorge Prats**, River Edge, NJ (US)

(73) Assignee: **Tristar Products, Inc.**, Fairfield, NJ (US)

(**) Term: **14 Years**

(21) Appl. No.: **29/498,174**

(22) Filed: **Jul. 31, 2014**

(51) **LOC (10) Cl.** **28-03**

(52) **U.S. Cl.**
USPC **D28/35**

(58) **Field of Classification Search**
USPC D28/35, 37, 38
CPC A45D 1/00; A45D 2001/002-2001/008;
A45D 2001/045; A45D 1/02-1/04; A45D
1/06-1/28; A45D 2/40; A45D 6/02; A45D
6/04

See application file for complete search history.

(56) **References Cited**

U.S. PATENT DOCUMENTS

3,934,597	A *	1/1976	McNair	A45D 1/04 132/232
D618,394	S *	6/2010	Keong	D28/35
D698,488	S *	1/2014	Byun	D28/35
D726,961	S *	4/2015	Sayers	D28/35
2011/0203606	A1 *	8/2011	Recchion	A45D 1/10

2014/0076349	A1 *	3/2014	Deng	132/269 A45D 1/04
2014/0144458	A1 *	5/2014	Hein	132/211 A45D 1/04
2014/0144459	A1 *	5/2014	Fung	132/226 A45D 1/04 132/271

OTHER PUBLICATIONS

Braun hair curler, internet image search for hair curler, date restricted Jan. 2000-Jul. 30, 2013.*

* cited by examiner

Primary Examiner — Jennifer Rivard

(74) *Attorney, Agent, or Firm* — L. Stanger

(57) **CLAIM**

The ornamental design for a curler, as shown and described.

DESCRIPTION

FIG. 1 is a rear perspective view of a curler showing my new design;

FIG. 2 is a front perspective view thereof;

FIG. 3 is a left side view thereof;

FIG. 4 is a right side view thereof;

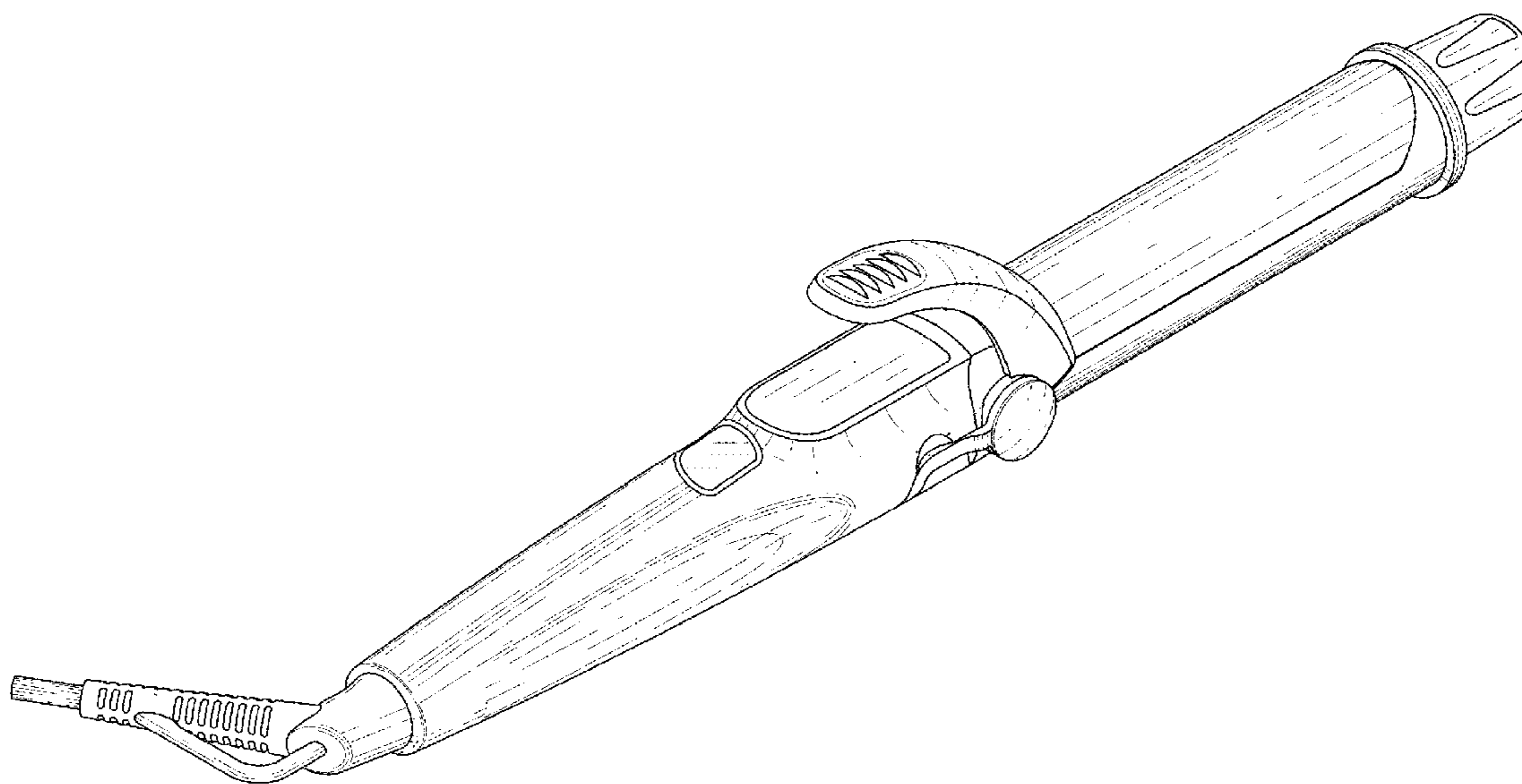
FIG. 5 is a bottom plan view thereof;

FIG. 6 is a top plan view thereof;

FIG. 7 is a front view thereof; and,

FIG. 8 is a rear view thereof.

1 Claim, 7 Drawing Sheets



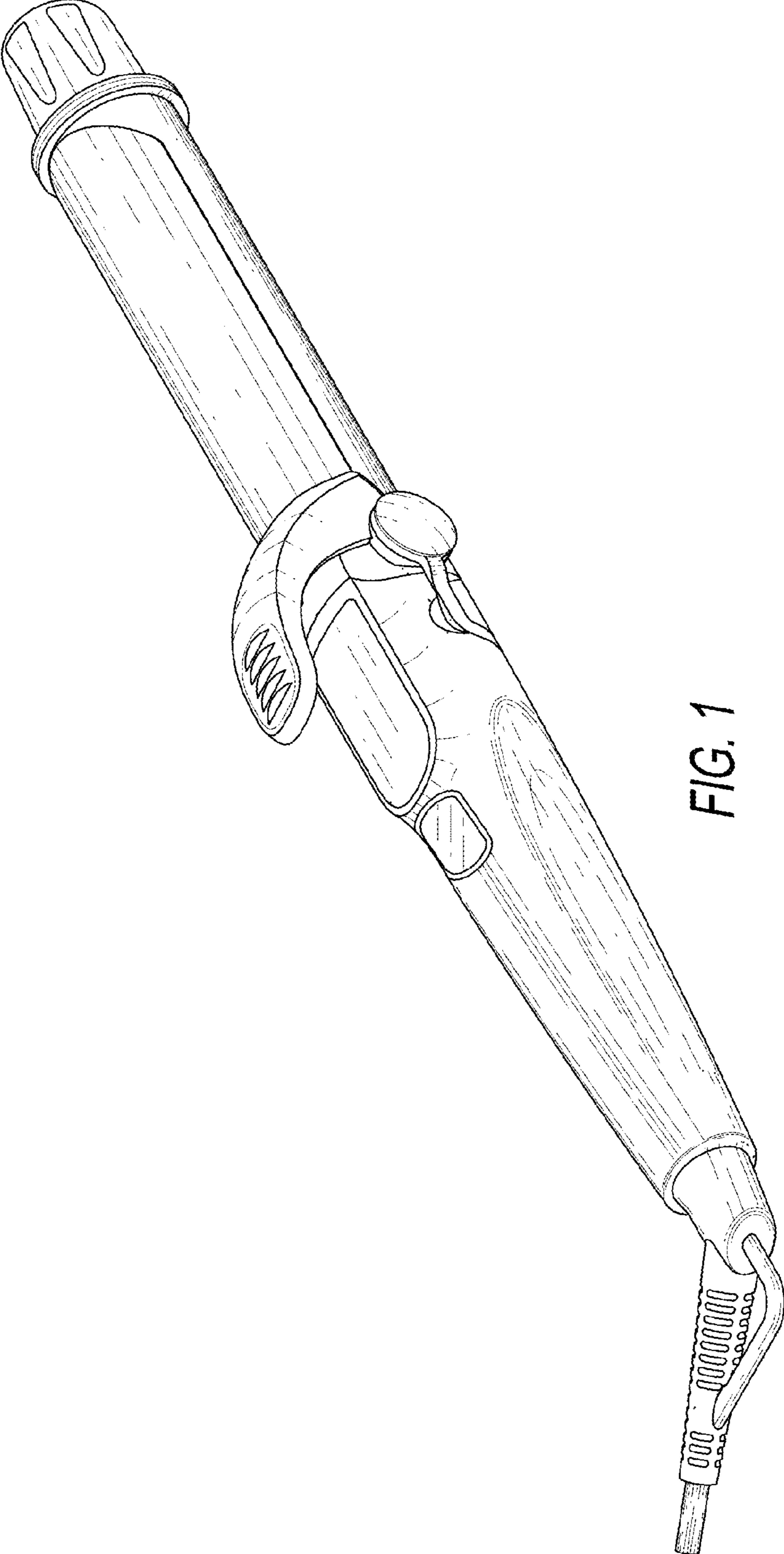


FIG. 1

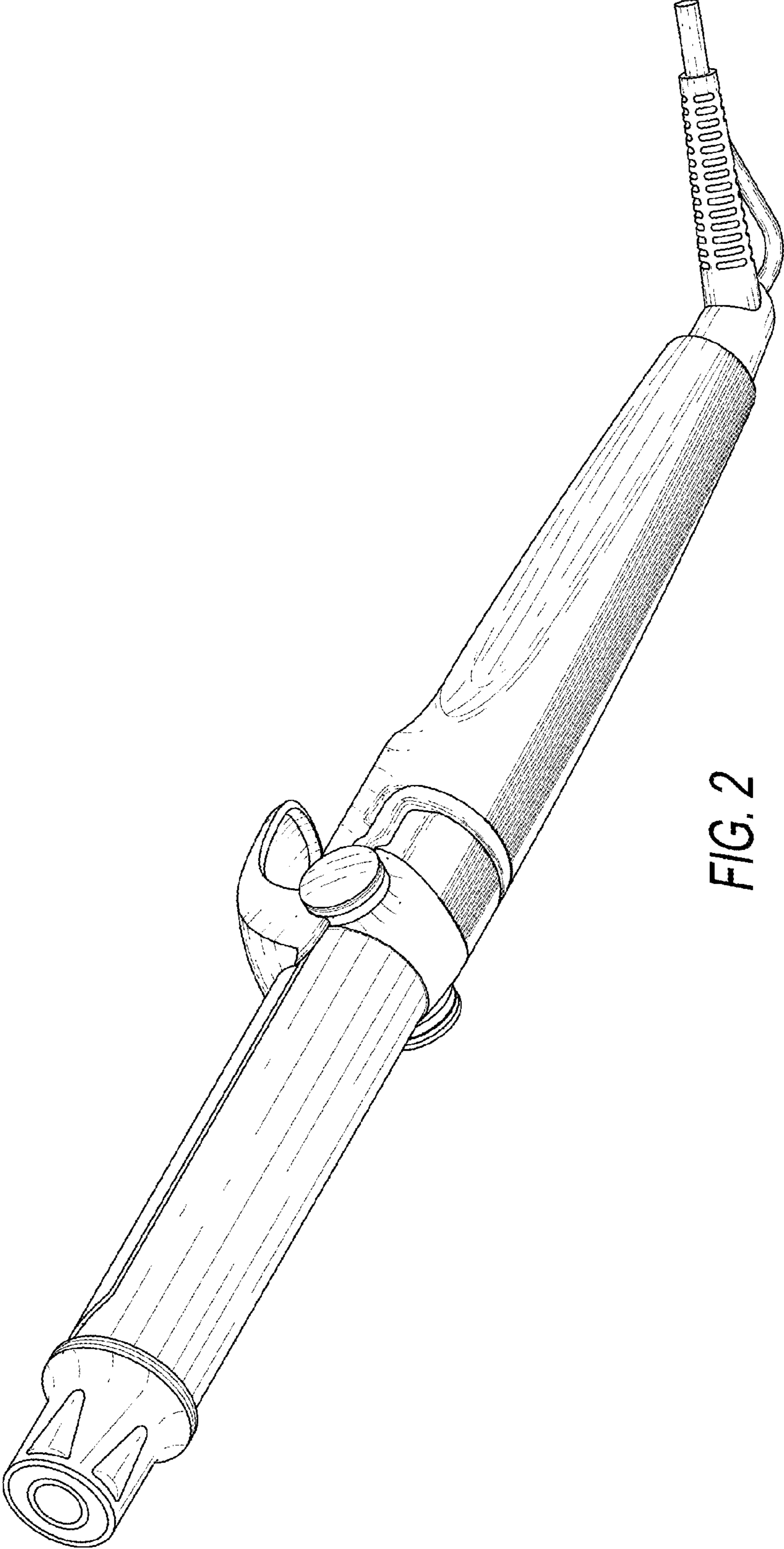


FIG. 2

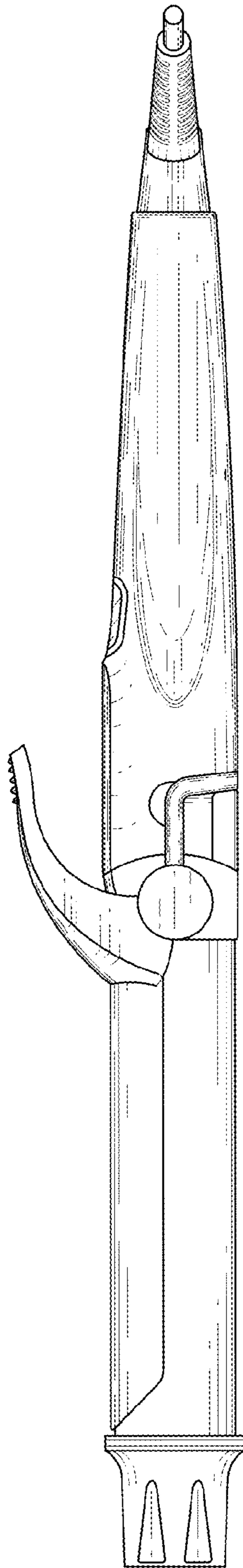


FIG. 3

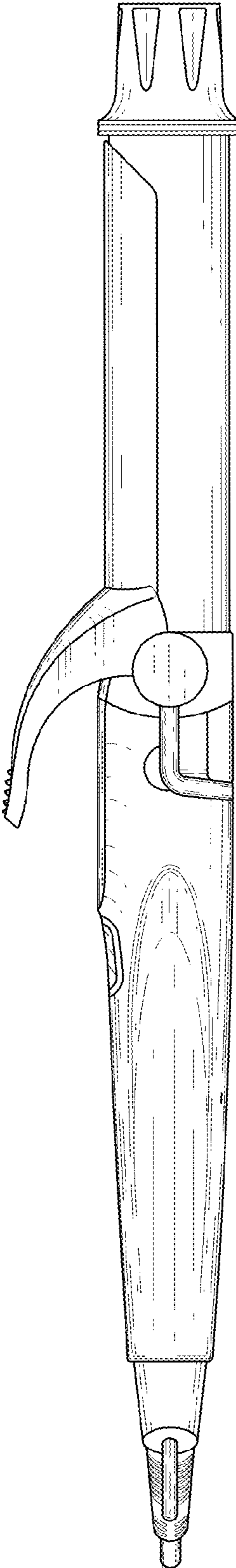


FIG. 4

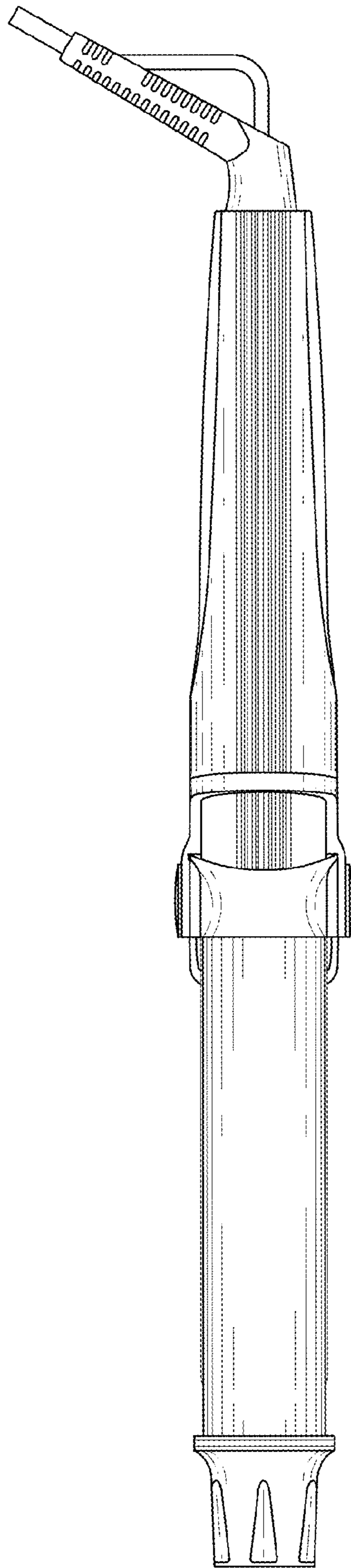


FIG. 5

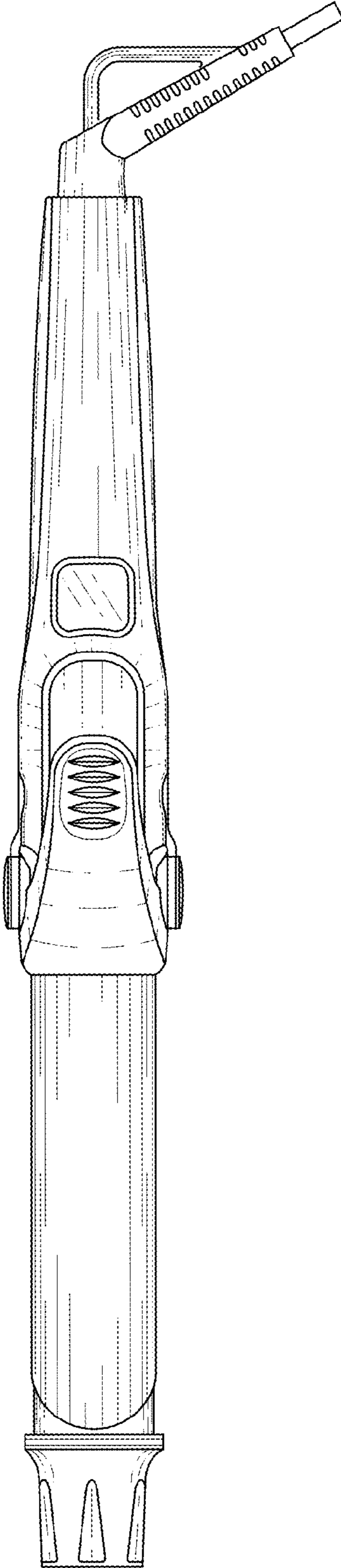


FIG. 6

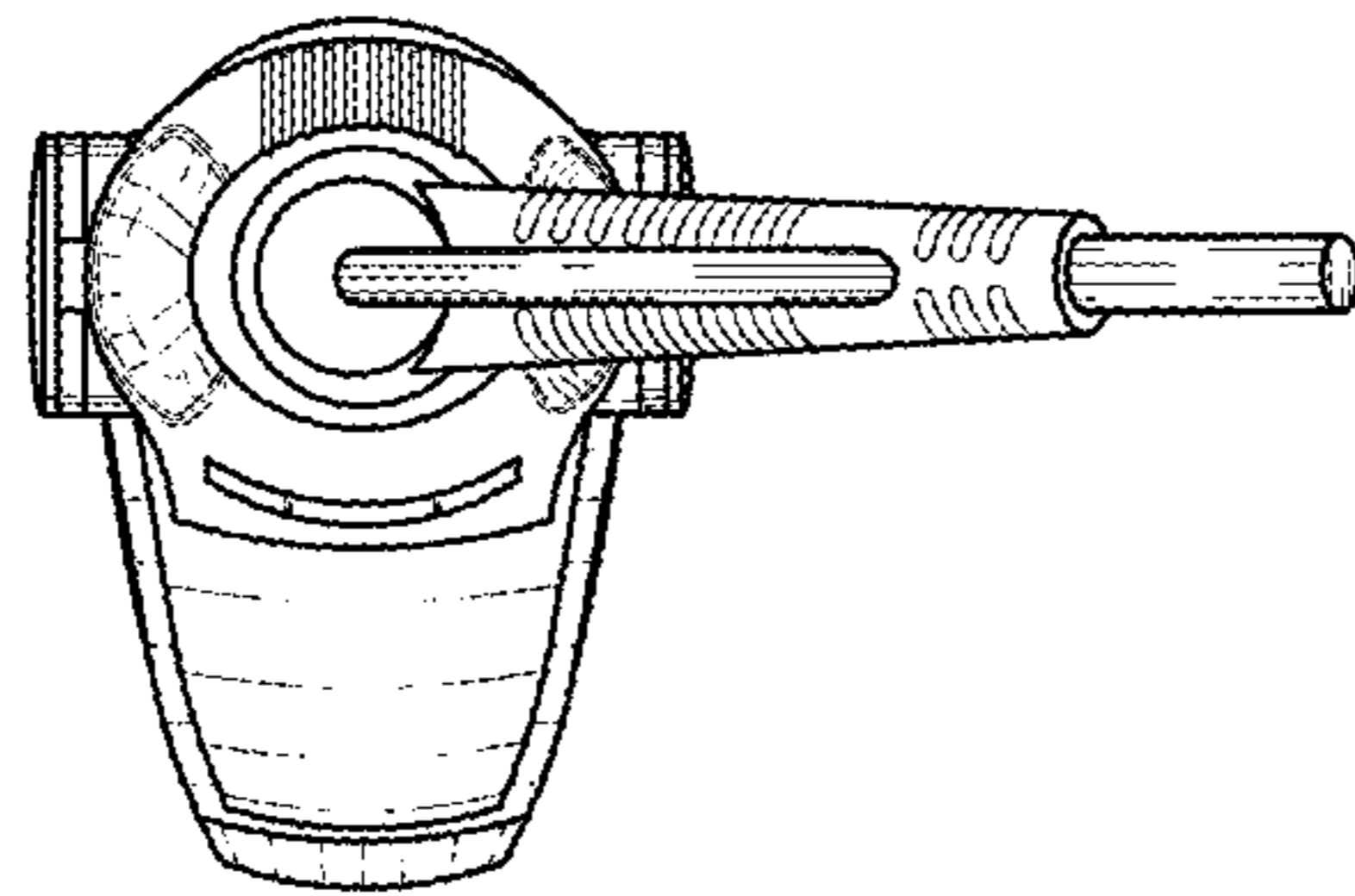


FIG. 8

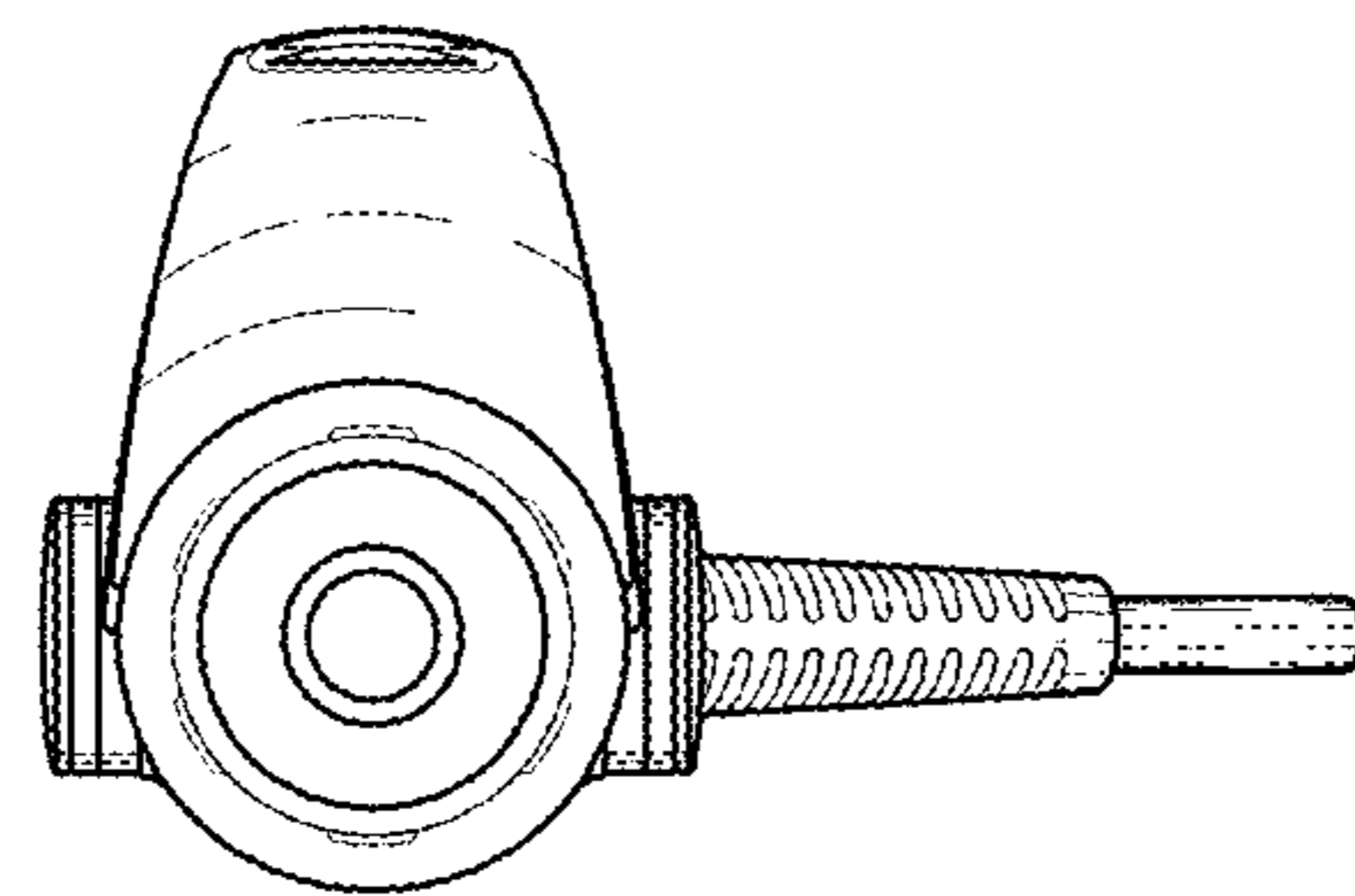


FIG. 7