



US00D748330S

(12) **United States Design Patent**
Gerhards

(10) **Patent No.:** **US D748,330 S**
(45) **Date of Patent:** **** Jan. 26, 2016**

- (54) **DOSAGE PACKAGING FOR WASHING AGENTS**
- (71) Applicant: **Henkel AG & Co. KGaA**, Duesseldorf (DE)
- (72) Inventor: **Katja Gerhards**, Duesseldorf (DE)
- (73) Assignee: **Henkel AG & Co. KGaA**, Duesseldorf (DE)
- (**) Term: **15 Years**
- (21) Appl. No.: **29/531,087**
- (22) Filed: **Jun. 23, 2015**

D680,445 S *	4/2013	Kopulos	D9/434
D689,240 S *	9/2013	Sunder	D28/8.1
D689,241 S *	9/2013	Gerhards	D28/8.1
D691,326 S *	10/2013	Gerhards	D28/8.1
D695,451 S *	12/2013	Gerhards	D28/8.1
D728,157 S *	4/2015	Sarb	D28/8.1
D732,735 S *	6/2015	Nixon	D28/8.1
D733,962 S *	7/2015	Sunder	D28/8.1
D735,407 S *	7/2015	Gerhards	D28/8.1
D735,408 S *	7/2015	Meier	D28/8.1
D735,409 S *	7/2015	Sunder	D28/8.1
2014/0235522 A1 *	8/2014	Wiedemann	B65B 9/042 510/220
2015/0136637 A1 *	5/2015	Meier	B65D 65/46 206/524.7

* cited by examiner

Primary Examiner — Jennifer Rivard
(74) *Attorney, Agent, or Firm* — Thomas G. Krivulka

Related U.S. Application Data

- (62) Division of application No. 29/471,376, filed on Oct. 31, 2013, now Pat. No. Des. 735,407, which is a division of application No. 29/440,077, filed on Dec. 19, 2012, now Pat. No. Des. 695,451.

(57) **CLAIM**

I claim the ornamental design for dosage packaging for washing agents, as shown and described.

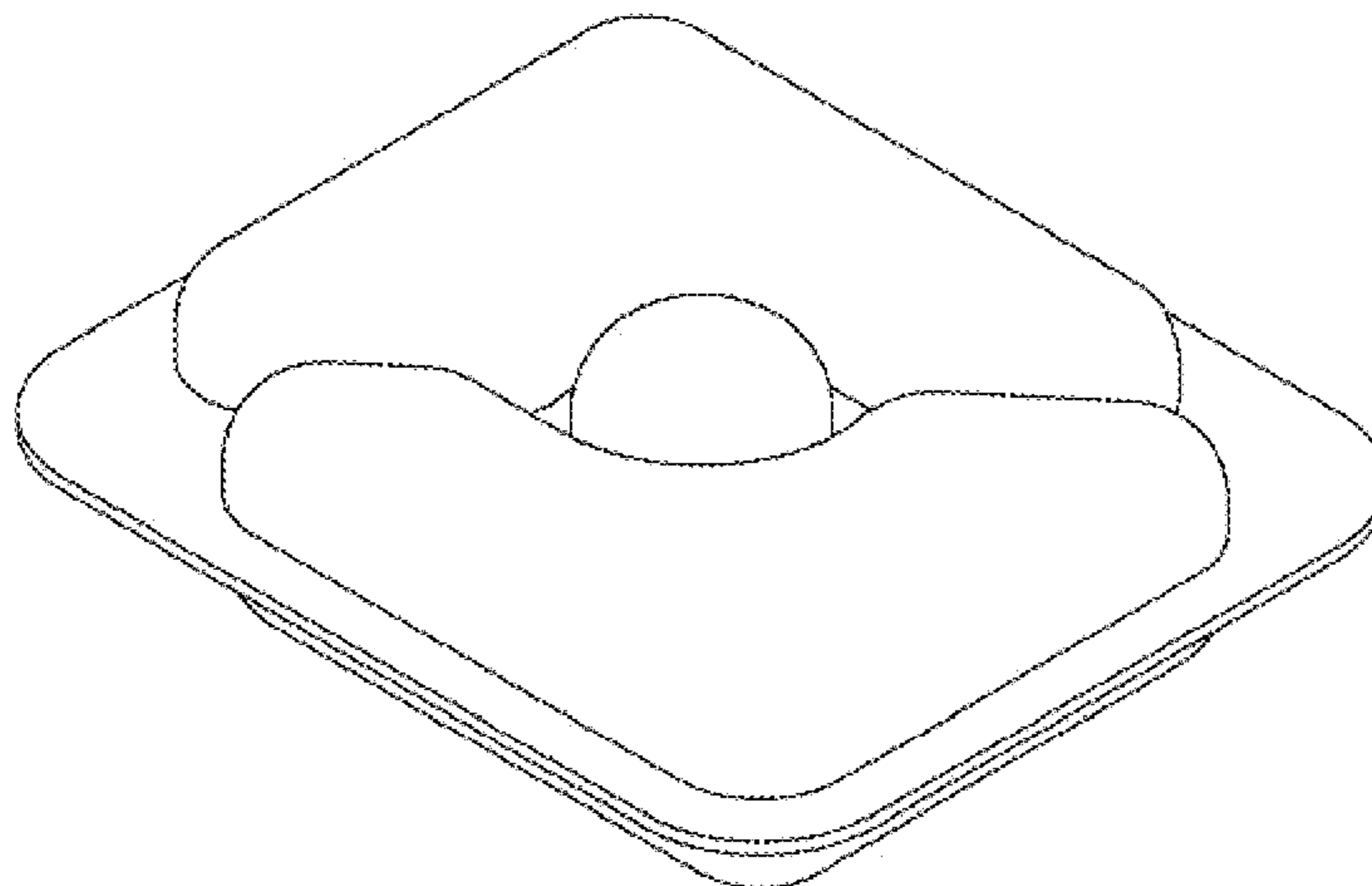
DESCRIPTION

- (30) **Foreign Application Priority Data**
Jun. 26, 2012 (EM) 002063412
- (51) **LOC (10) Cl.** **28-03**
- (52) **U.S. Cl.**
USPC **D28/8.1**; 9/425
- (58) **Field of Classification Search**
USPC D28/8.1–8.2, 4; D9/425, 702, 707
CPC C11D 17/04–17/045; C11D
17/0047–17/0091; C11D 17/0095; C11D
17/00
See application file for complete search history.

FIG. 1 is a front perspective view of a first embodiment of dosage packaging for washing agents embodying our new design;
 FIG. 2 is a front side elevation view thereof;
 FIG. 3 is a rear side elevation view thereof;
 FIG. 4 is a right side elevation view thereof;
 FIG. 5 is a left side elevation view thereof;
 FIG. 6 is a top plan view thereof; and,
 FIG. 7 is a bottom plan view thereof;
 FIG. 8 is a front perspective view of a second embodiment of dosage packaging for washing agents embodying our new design;
 FIG. 9 is a front side elevation view thereof;
 FIG. 10 is a rear side elevation view thereof;
 FIG. 11 is a right side elevation view thereof;
 FIG. 12 is a left side elevation view thereof;
 FIG. 13 is a top plan view thereof; and,
 FIG. 14 is a bottom plan view thereof.

- (56) **References Cited**
U.S. PATENT DOCUMENTS
D599,056 S * 8/2009 Schwartz D28/8.1
D665,530 S * 8/2012 Gaertner D28/8.1
D679,862 S * 4/2013 Sunder D28/8.1
D679,863 S * 4/2013 Sunder D28/8.1

1 Claim, 7 Drawing Sheets



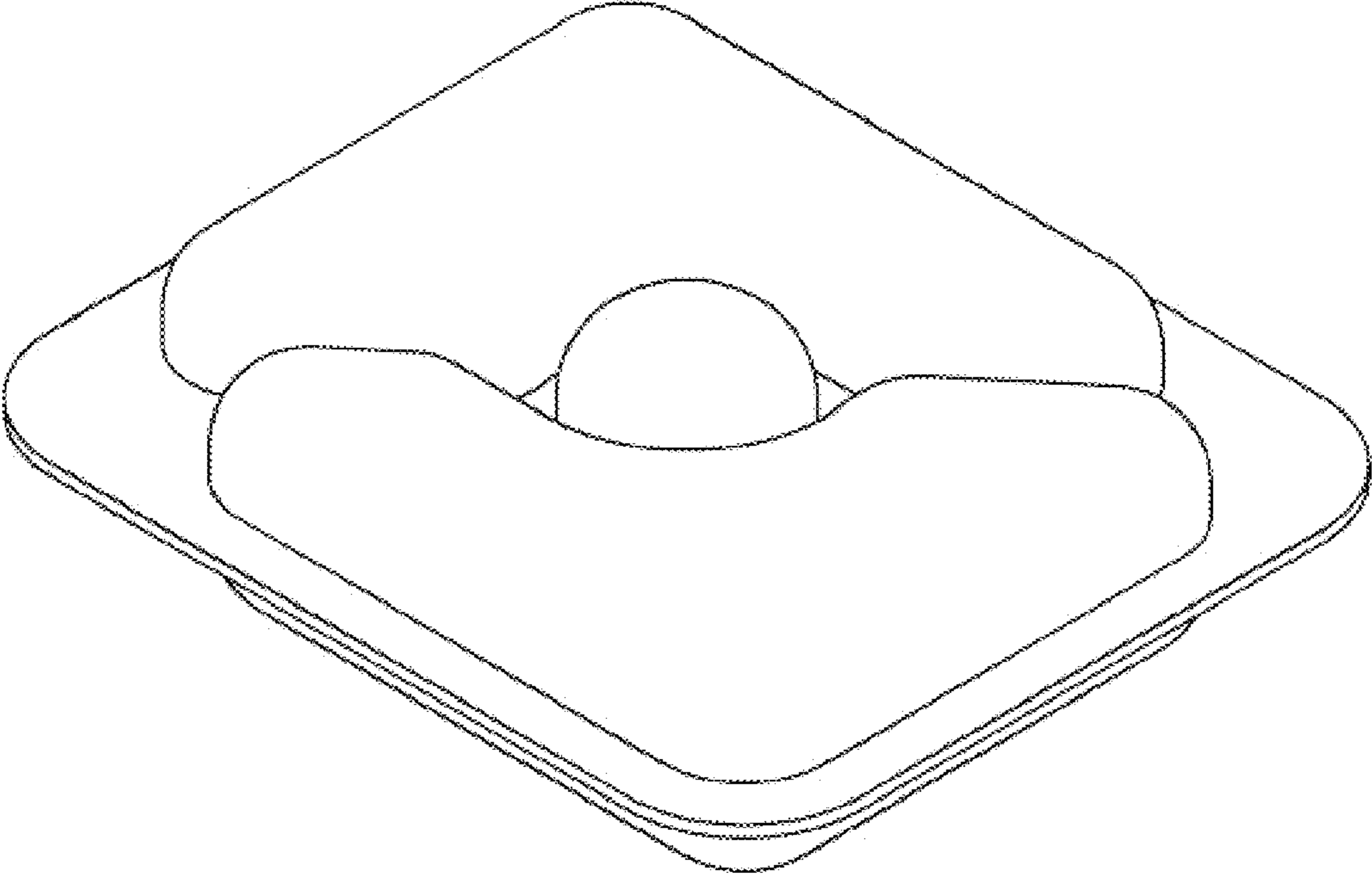


Fig. 1

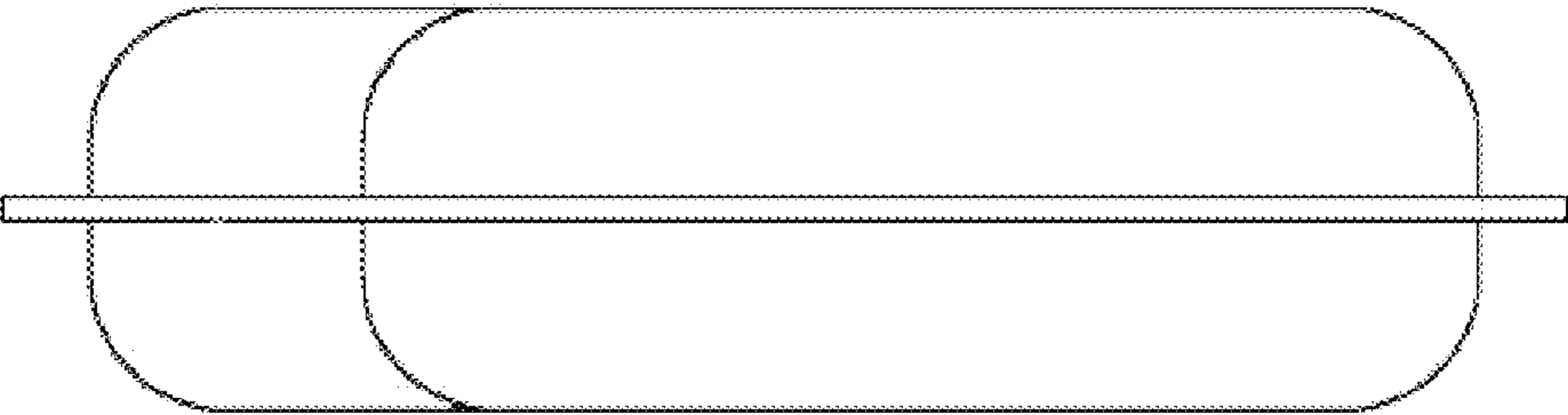


Fig. 2

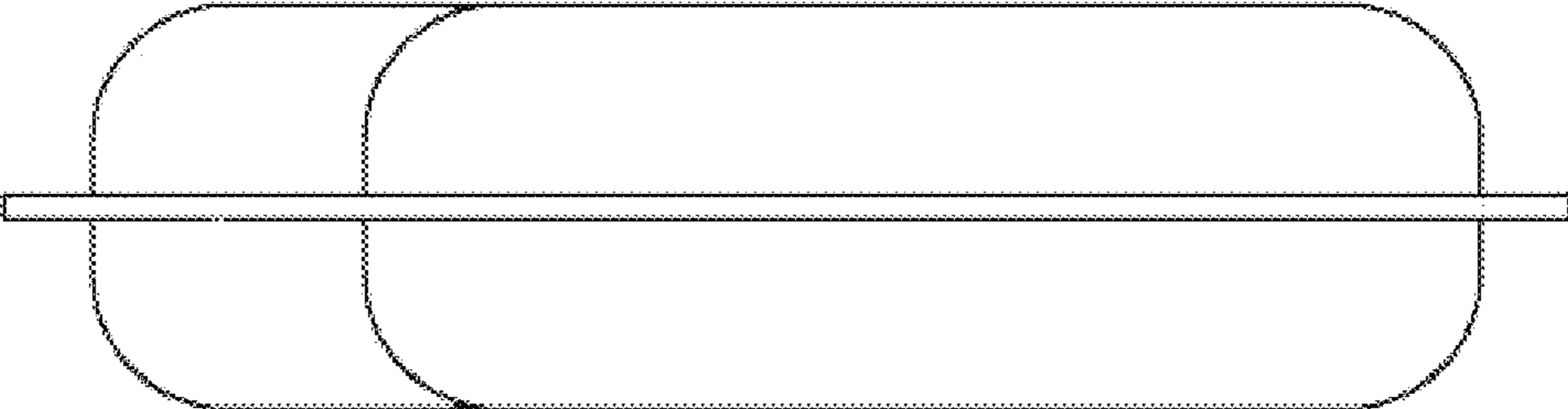


Fig. 3

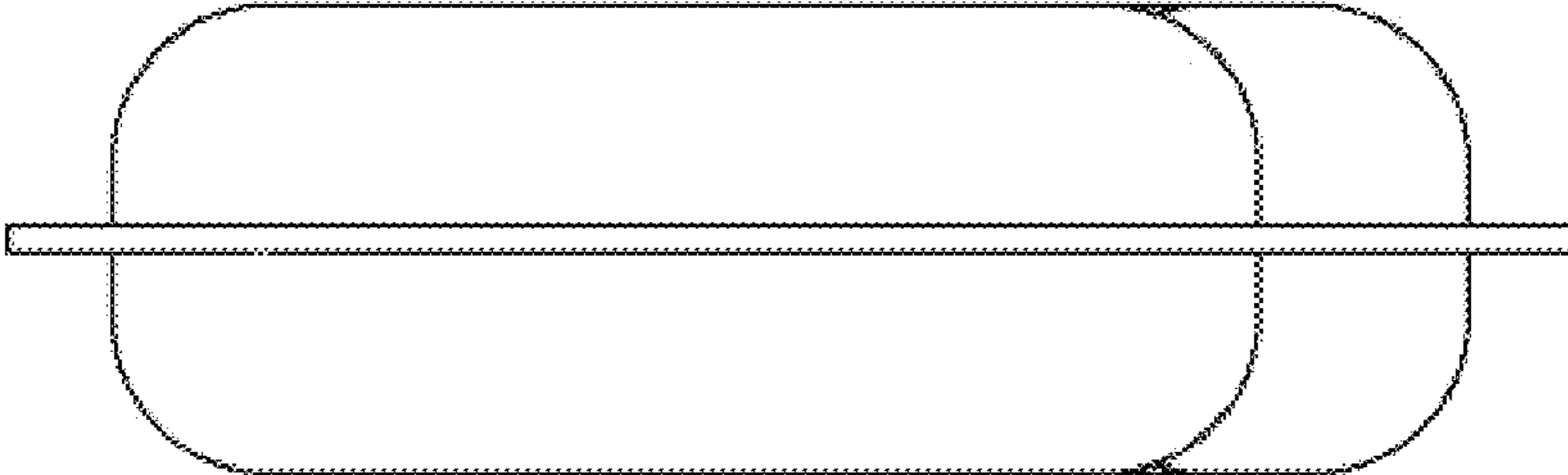


Fig. 4

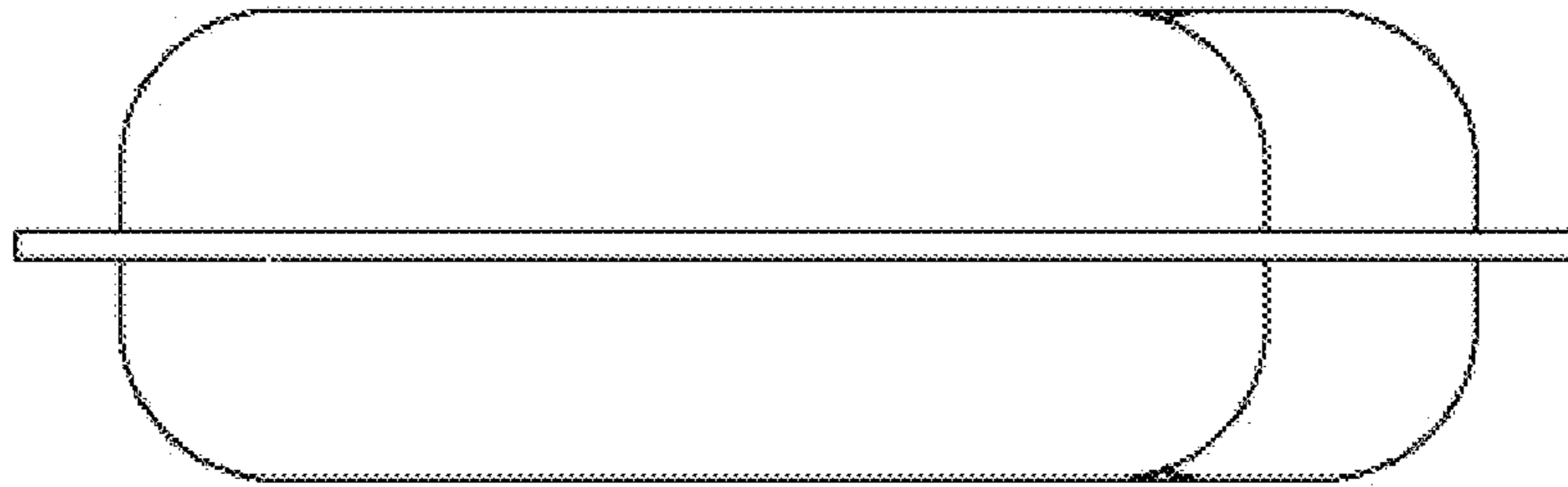


Fig. 5

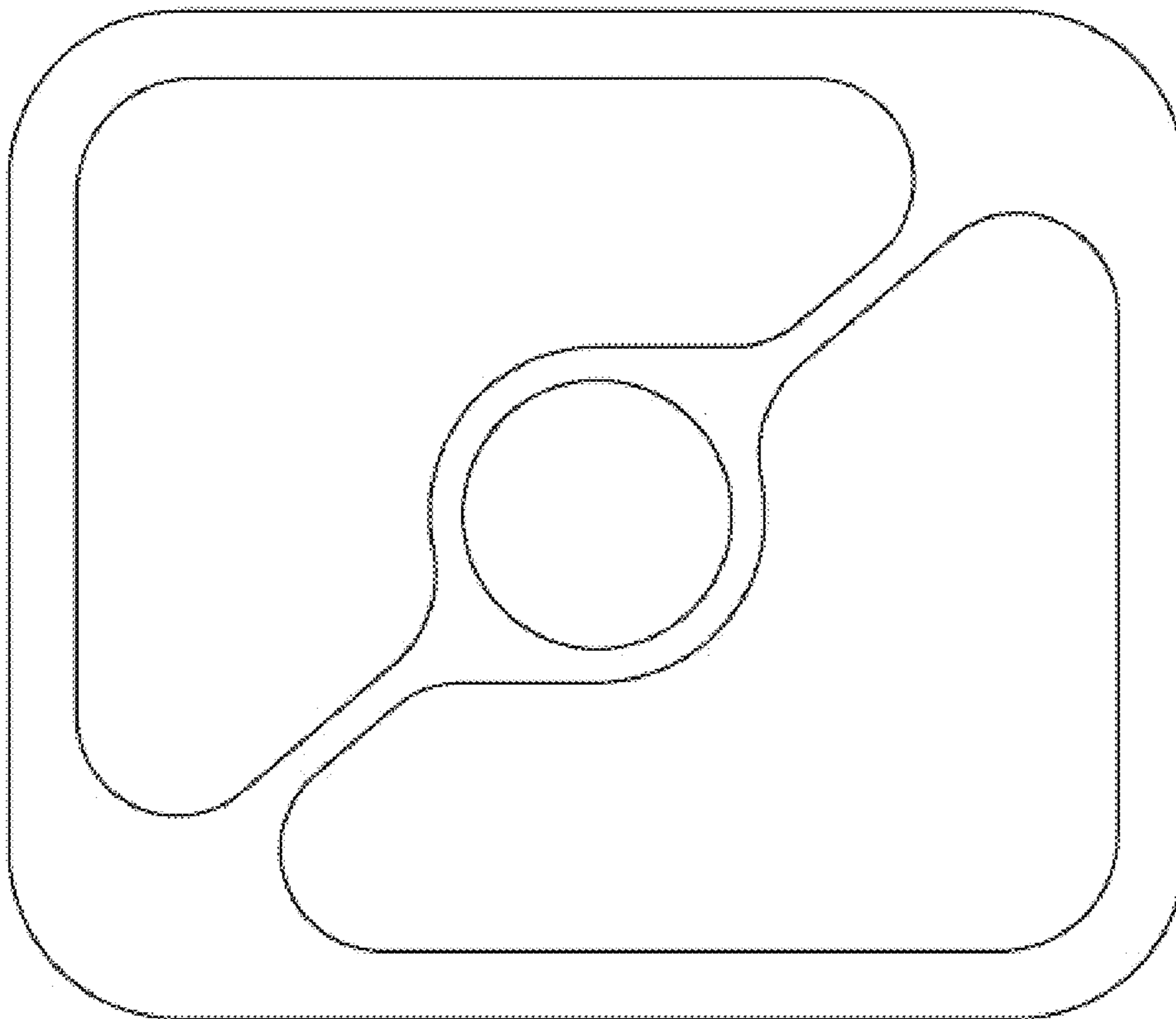


Fig. 6

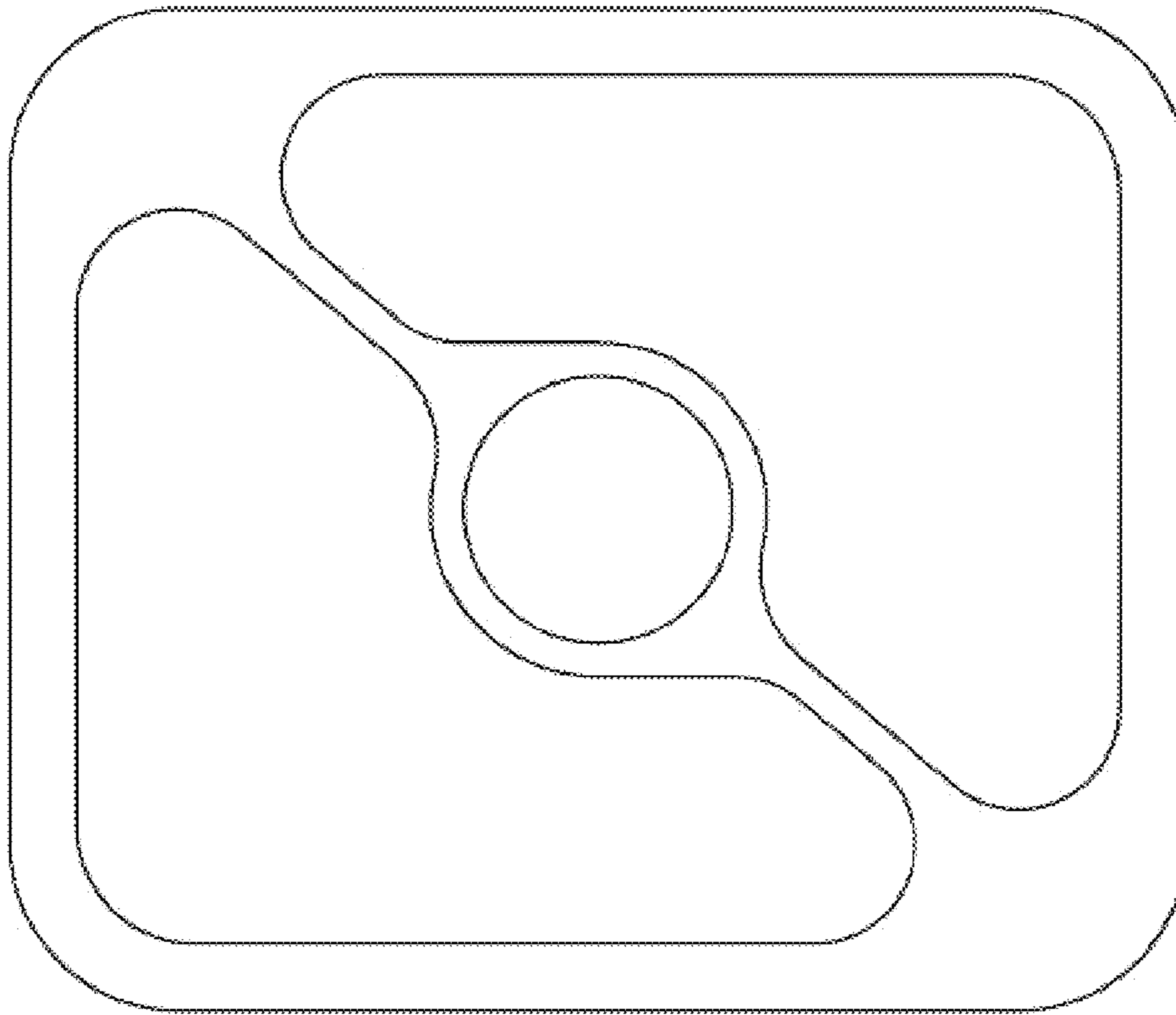


Fig. 7

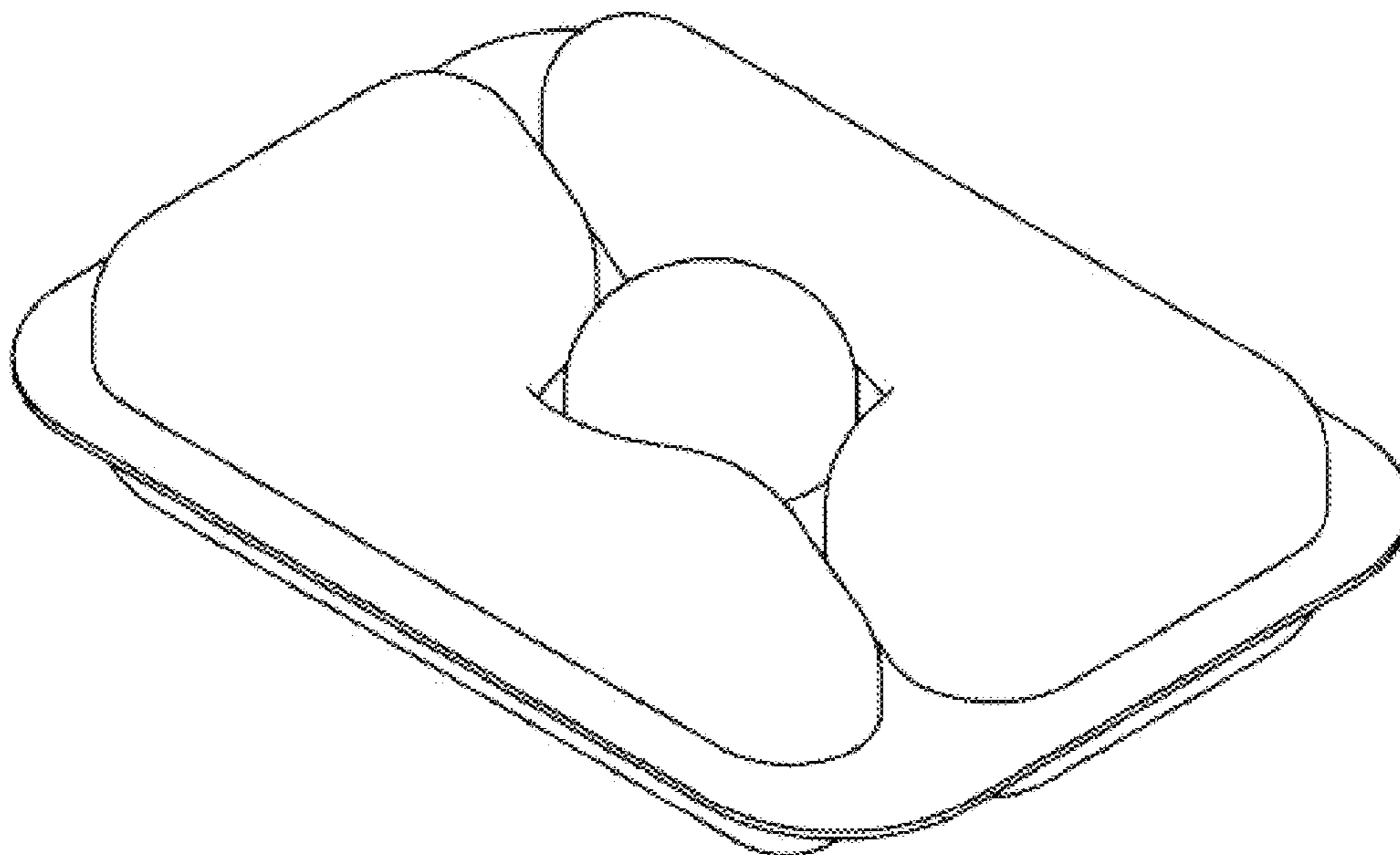


Fig. 8

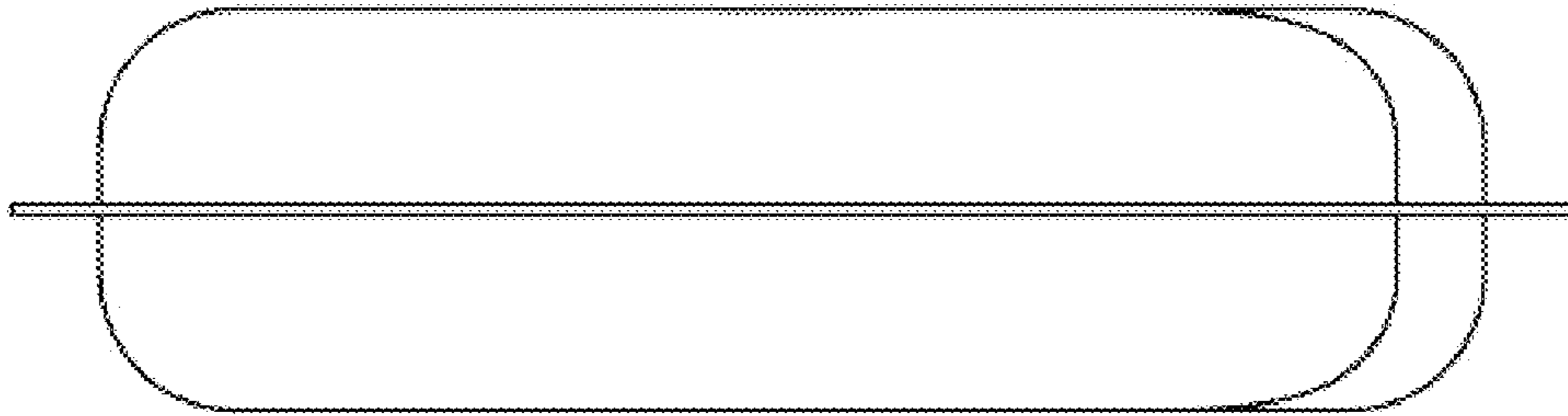


Fig. 9

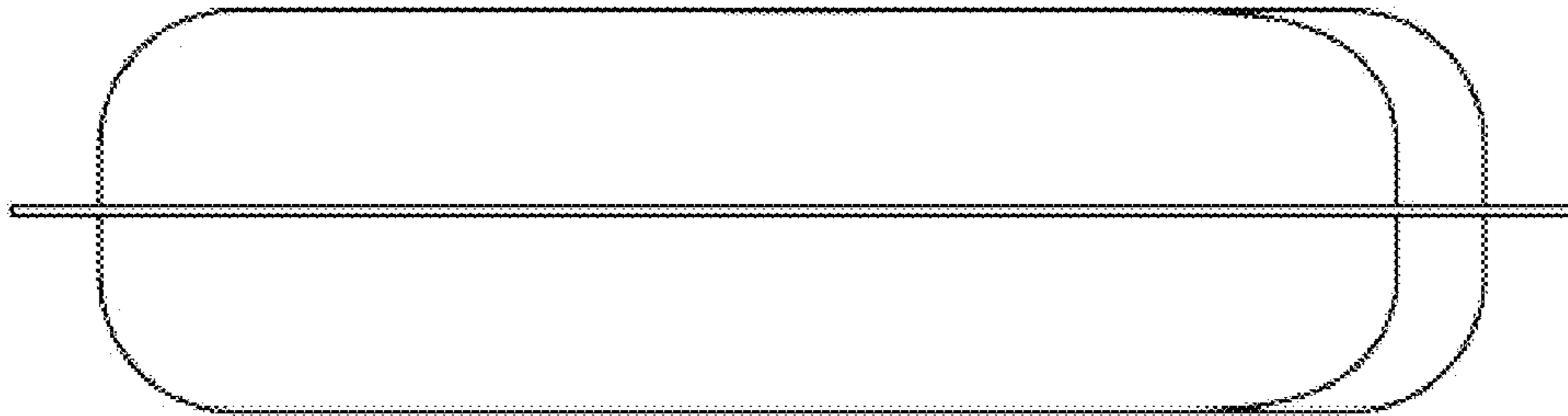


Fig. 10

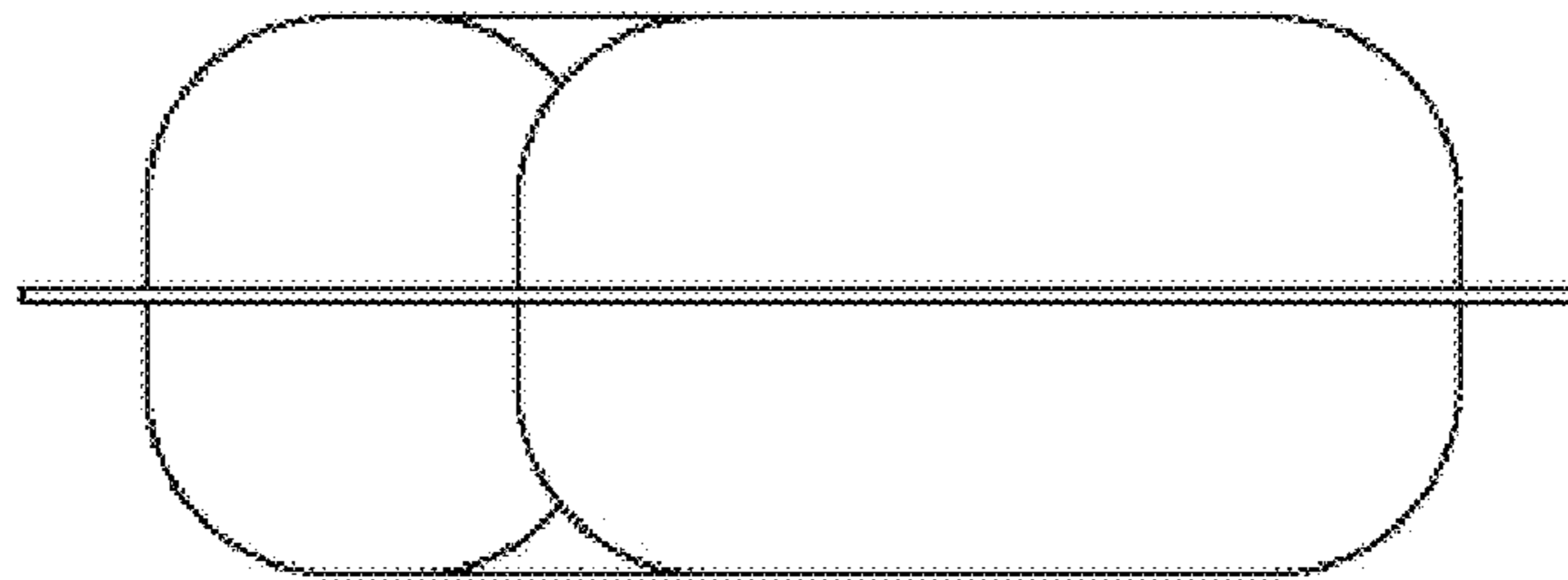


Fig. 11

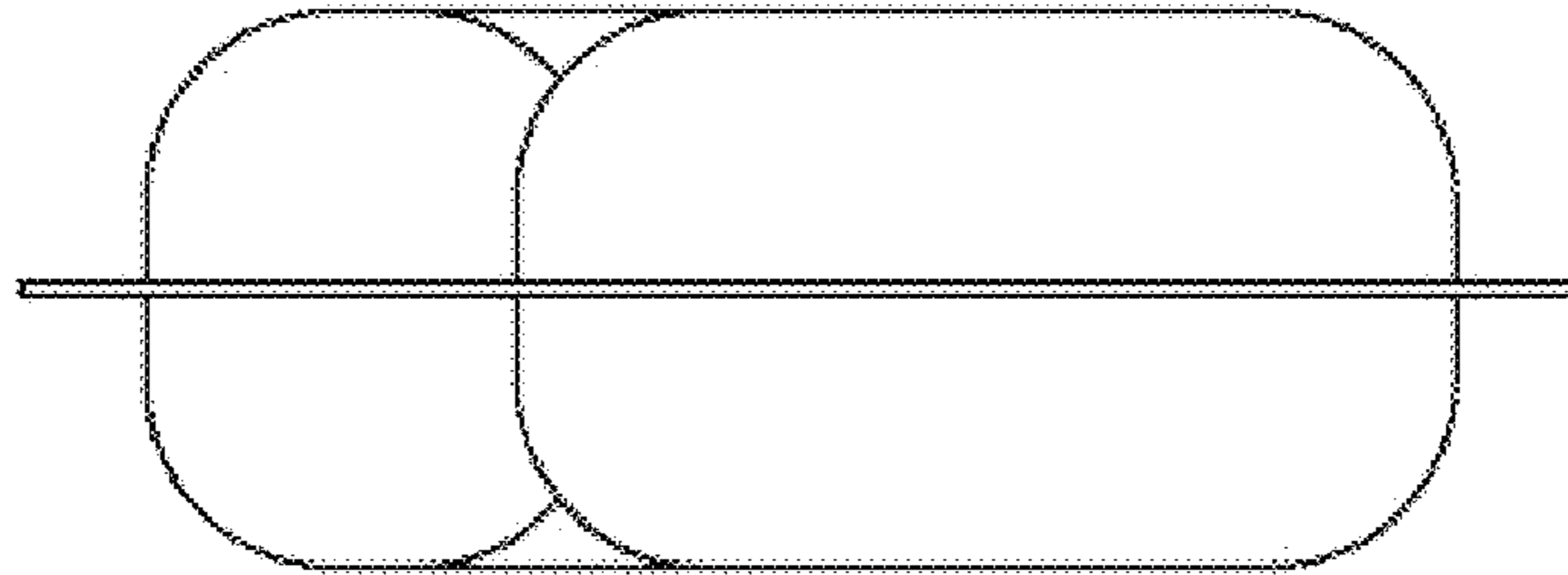


Fig. 12

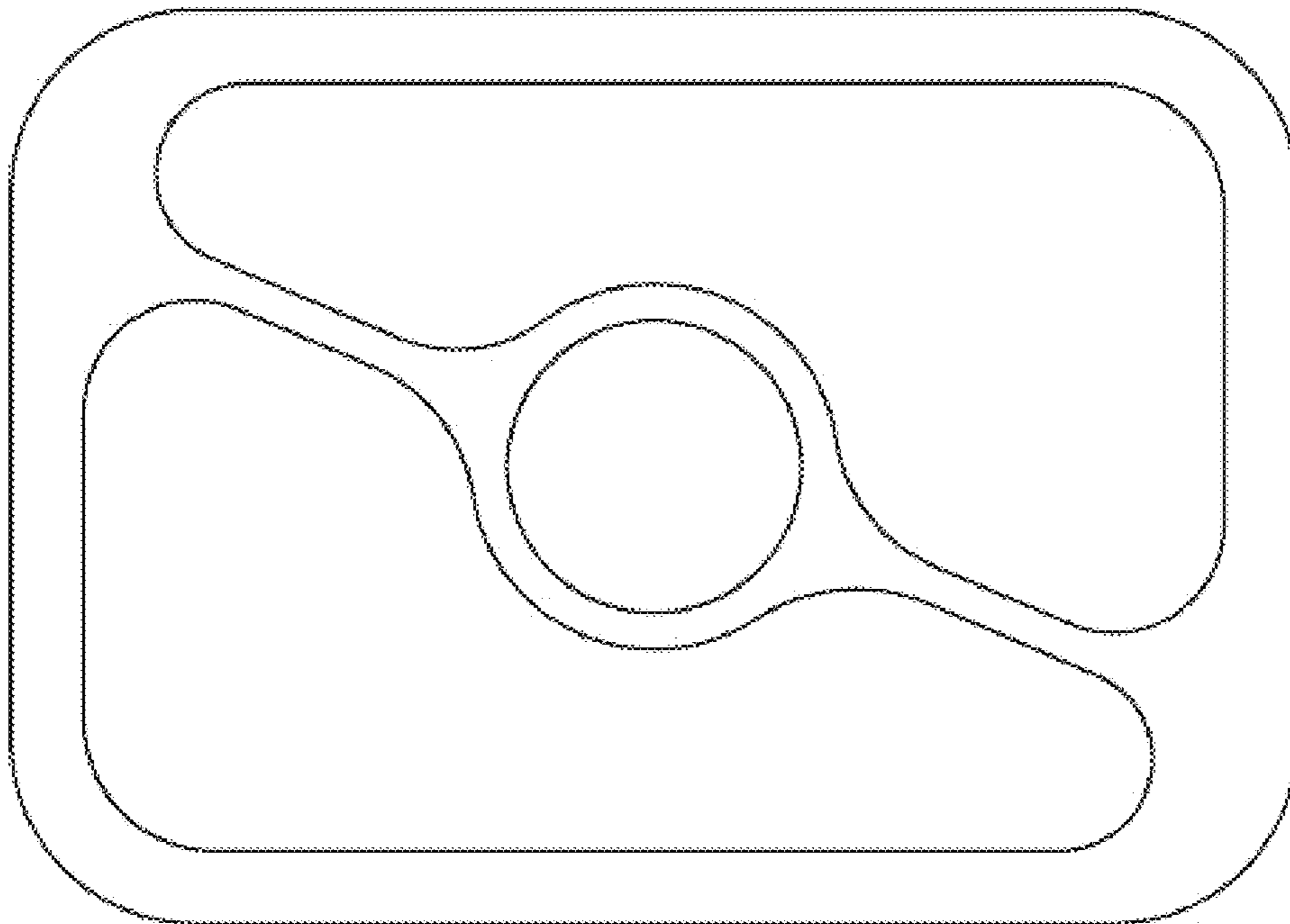


Fig. 13

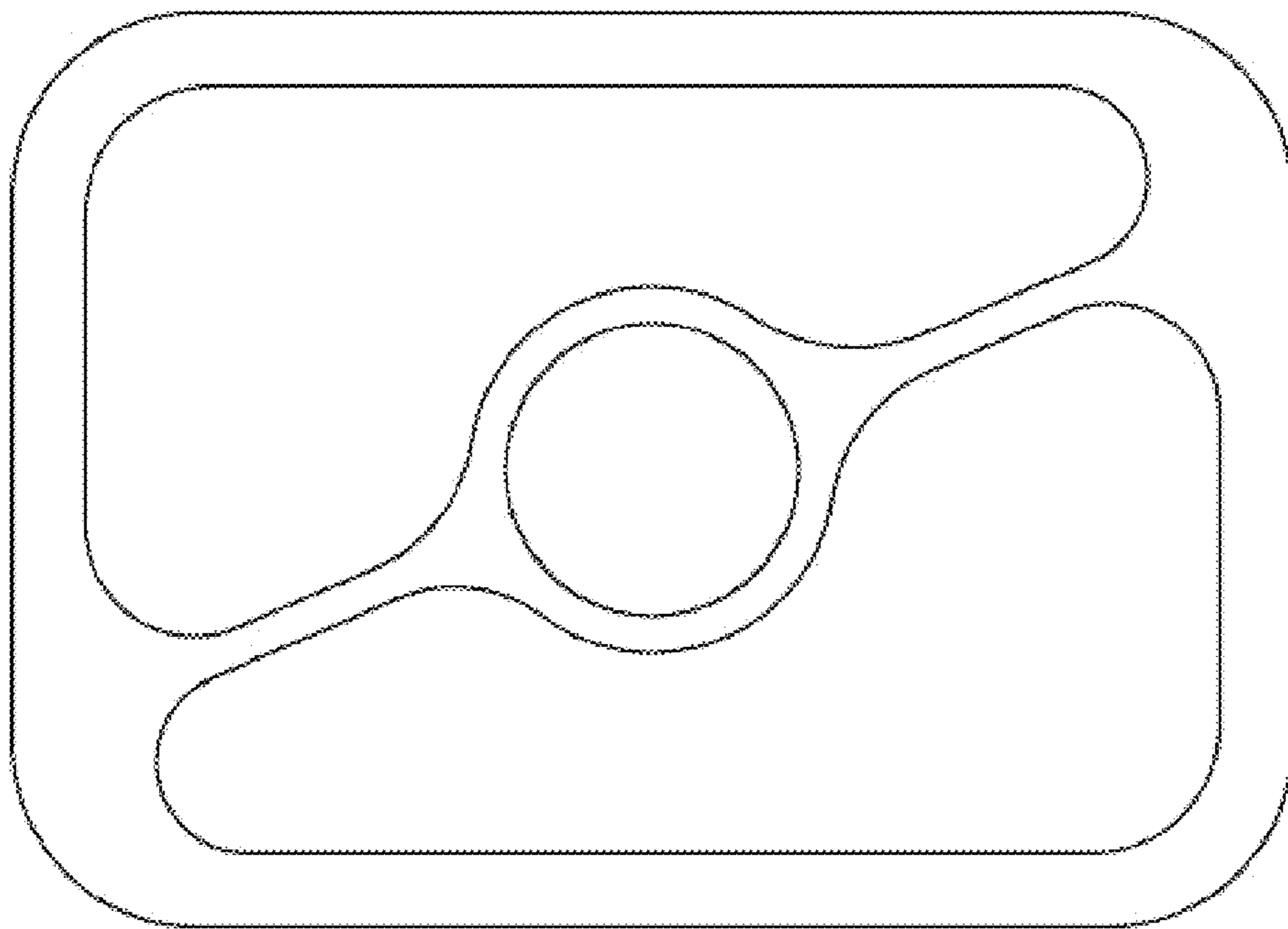


Fig. 14