



US00D748329S

(12) **United States Design Patent**  
**Bagai et al.**

(10) **Patent No.:** **US D748,329 S**  
(45) **Date of Patent:** **\*\* Jan. 26, 2016**

(54) **CASING FOR ELECTRONIC CIGARETTE CAPSULES**

(71) Applicant: **Fontem Ventures B.V.**, Amsterdam  
Zuidoost (NL)

(72) Inventors: **Hitesh Bagai**, Maharashtra (IN);  
**Thorben Rehders**, Neu Wulmstorf (DE)

(73) Assignee: **FONTEM HOLDINGS 2 B.V.**,  
Amsterdam (NL)

(\*\*) Term: **14 Years**

(21) Appl. No.: **29/478,221**

(22) Filed: **Jan. 2, 2014**

(30) **Foreign Application Priority Data**

Jul. 5, 2013 (EM) ..... 002269571

(51) **LOC (10) Cl.** ..... **09-03**

(52) **U.S. Cl.**  
USPC ..... **D27/186; D9/430**

(58) **Field of Classification Search**  
USPC ..... D9/737, 780, 730, 732, 733, 736, 756,  
D9/759; D27/172, 175, 183-193  
CPC ..... A24F 23/00; B65D 1/24; B65D 1/36  
See application file for complete search history.

(56) **References Cited**

**U.S. PATENT DOCUMENTS**

D193,119 S \* 6/1962 Bostrom ..... D9/756  
D200,000 S \* 1/1965 Richards ..... D9/416  
D472,803 S \* 4/2003 Saunders ..... D9/423  
D534,794 S \* 1/2007 Åkeson ..... D27/175  
D624,437 S \* 9/2010 Leclezio ..... D9/721  
7,798,319 B1 \* 9/2010 Bried ..... A24F 23/00

131/352  
D637,903 S \* 5/2011 Ghiotti ..... D9/428  
D660,693 S \* 5/2012 Berggren ..... D9/421  
D663,207 S \* 7/2012 Nelson ..... D9/456  
D665,270 S \* 8/2012 Leclezio ..... D9/707  
D679,990 S \* 4/2013 O'Brien ..... D9/428  
D683,497 S \* 5/2013 Ghiotti ..... D27/186  
D683,498 S \* 5/2013 Ghiotti ..... D27/186  
D699,106 S \* 2/2014 Glaser ..... D9/456  
D713,598 S \* 9/2014 Ghiotti ..... D27/186  
2010/0043812 A1 \* 2/2010 Yount ..... B65D 21/08  
131/329  
2012/0167902 A1 \* 7/2012 Macko ..... A24B 13/00  
131/112  
2015/0216230 A1 \* 8/2015 Loos ..... A24F 23/00  
206/256

\* cited by examiner

*Primary Examiner* — Susan Bennett Hattan

*Assistant Examiner* — Janice Hallmark

(74) *Attorney, Agent, or Firm* — Cohen & Hildebrand,  
PLLC

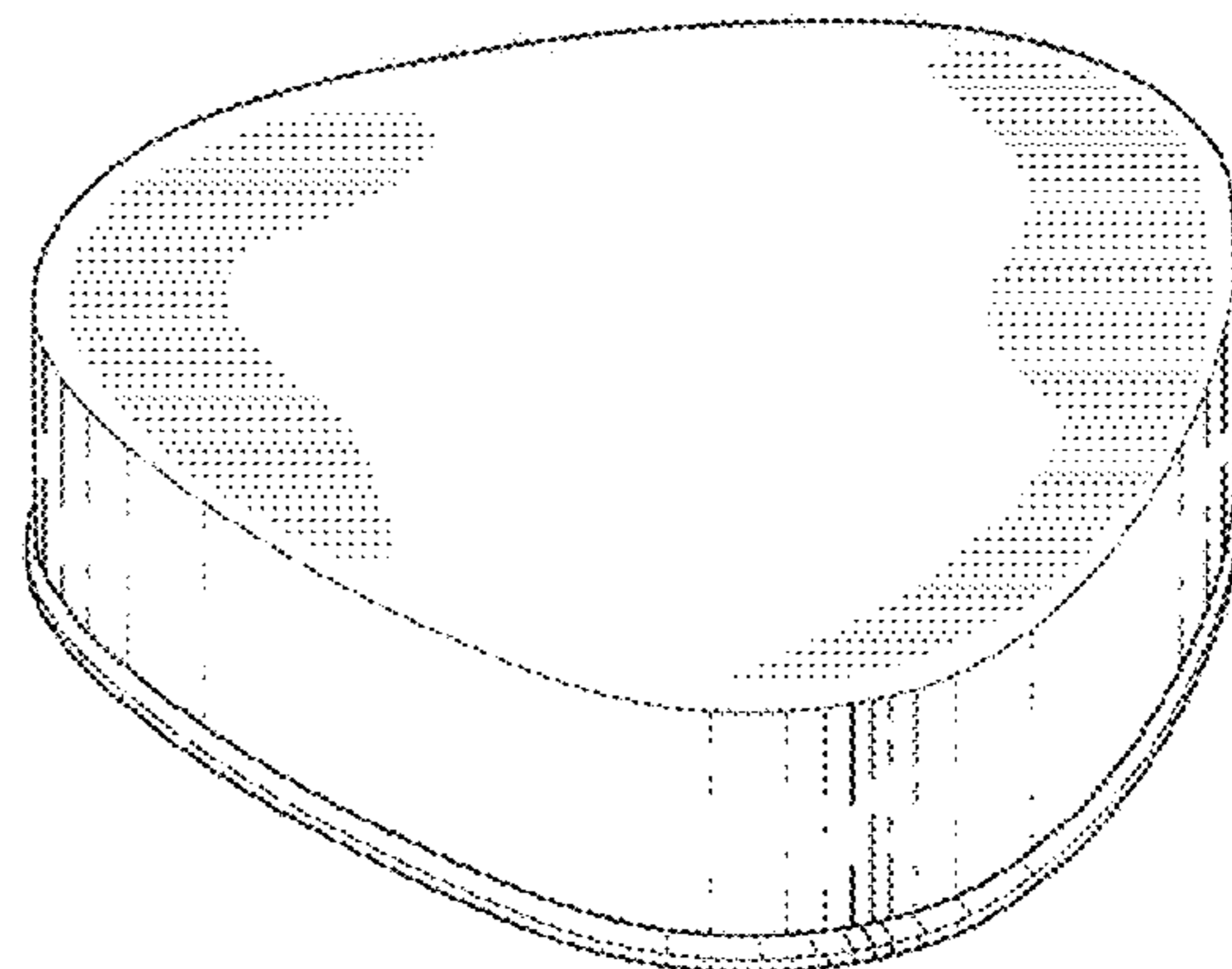
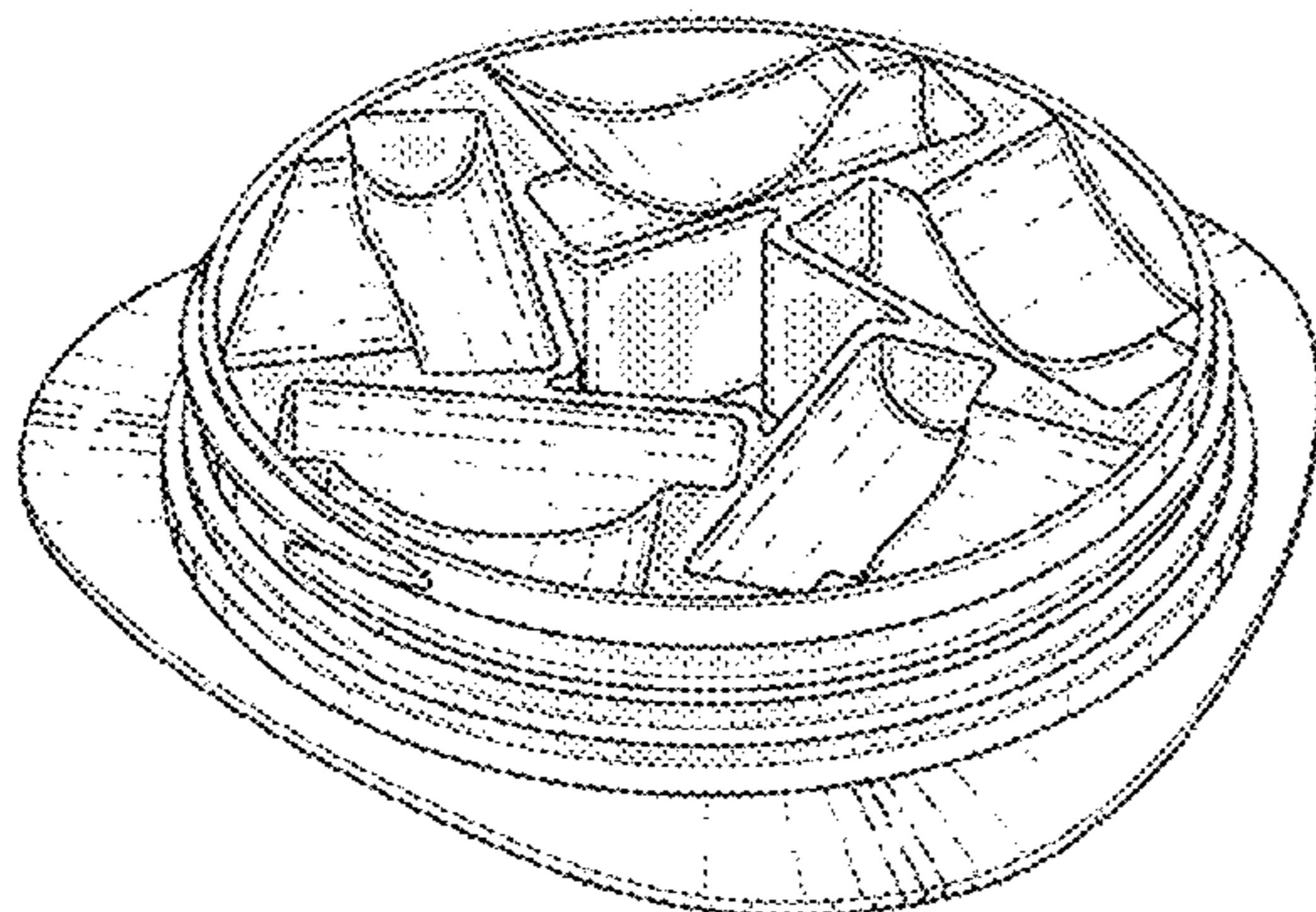
(57) **CLAIM**

The ornamental design for a casing for electronic cigarette capsules, as shown and described.

**DESCRIPTION**

FIG. 1 is a top view of a casing for electronic cigarette capsules, shown with the lid removed for clarity of disclosure; FIG. 2 is a first side elevational view thereof; FIG. 3 is a second side elevational view thereof; FIG. 4 is a perspective view thereof; FIG. 5 is a first side elevational view of the casing for electronic cigarette capsules, shown with the lid on, for clarity of disclosure; FIG. 6 is a second side elevational view thereof; and, FIG. 7 is a perspective view thereof.

**1 Claim, 4 Drawing Sheets**



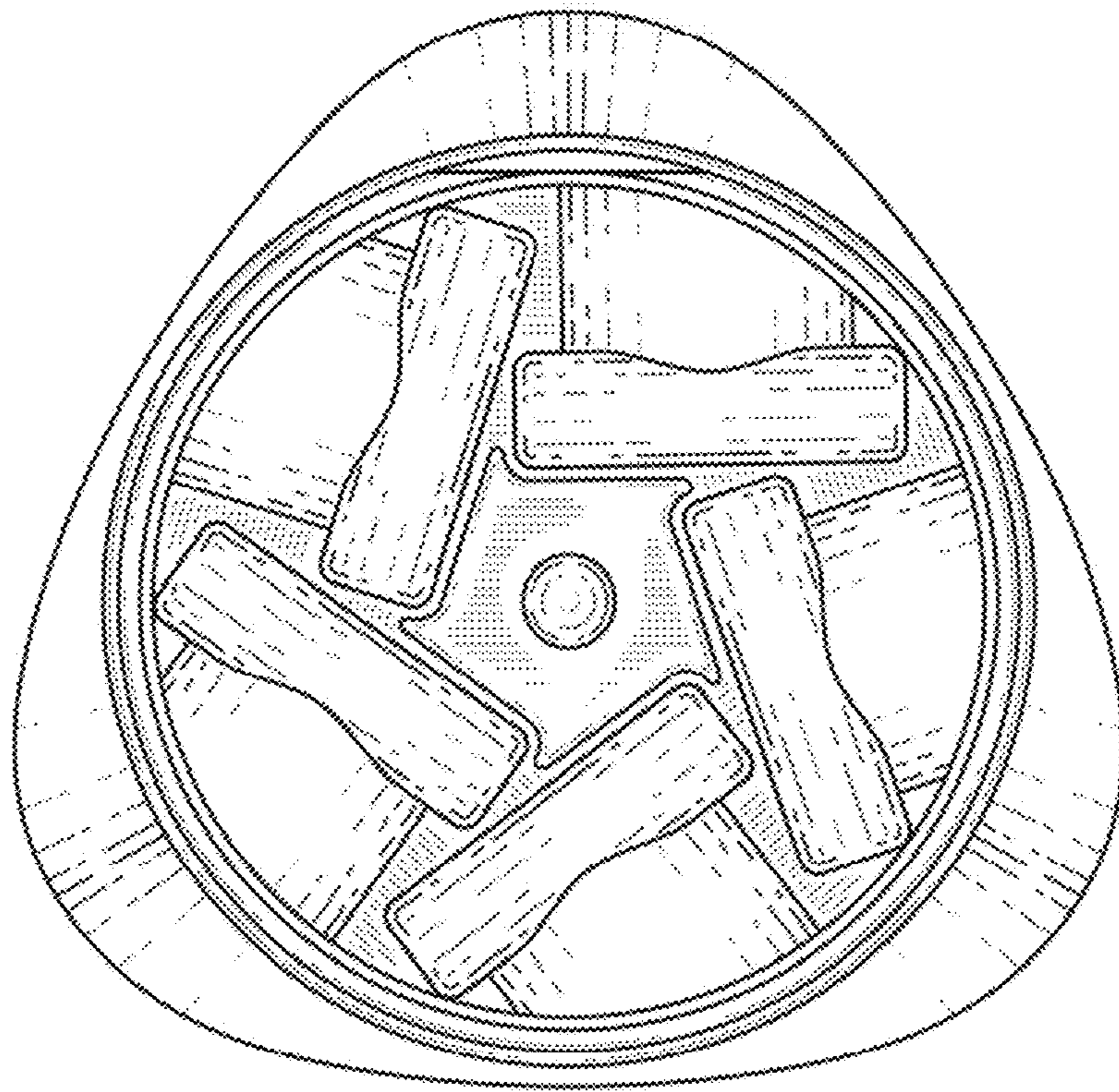


FIG. 1

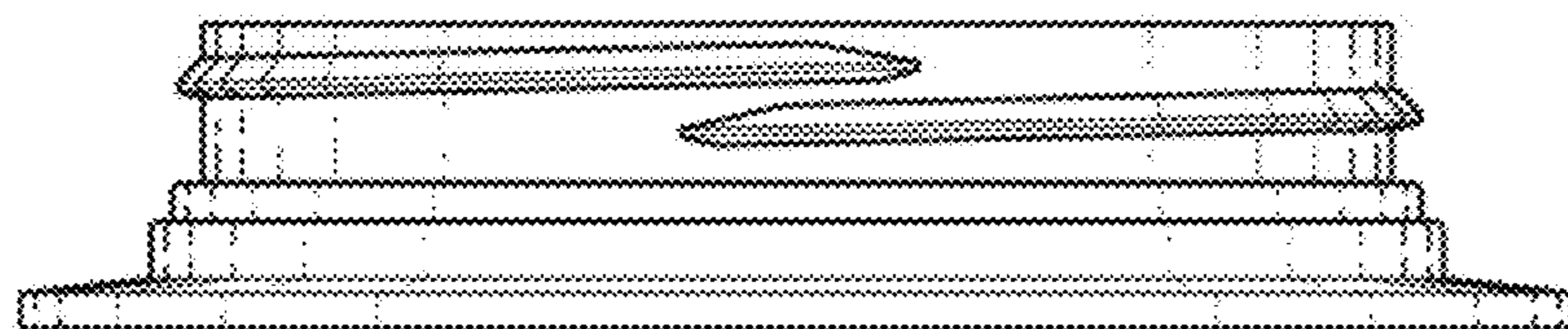


FIG. 2



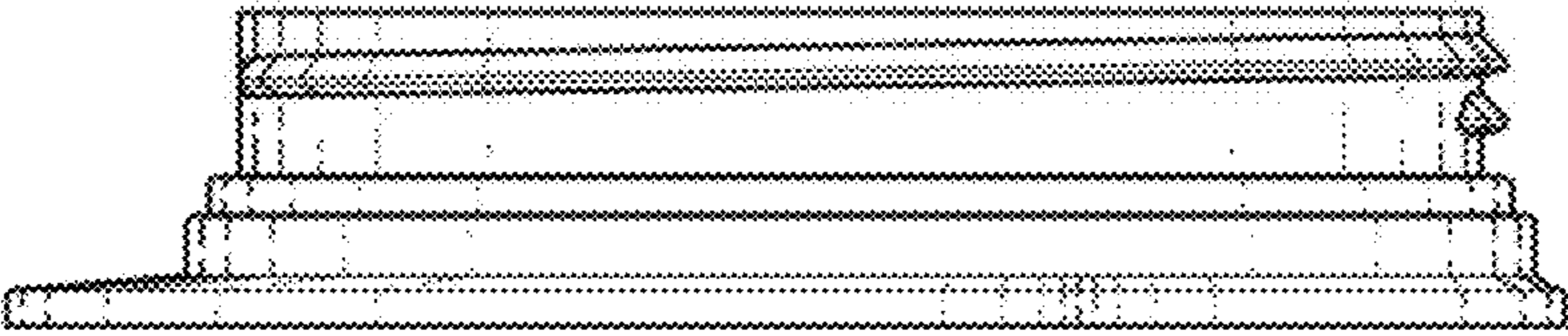


FIG. 3

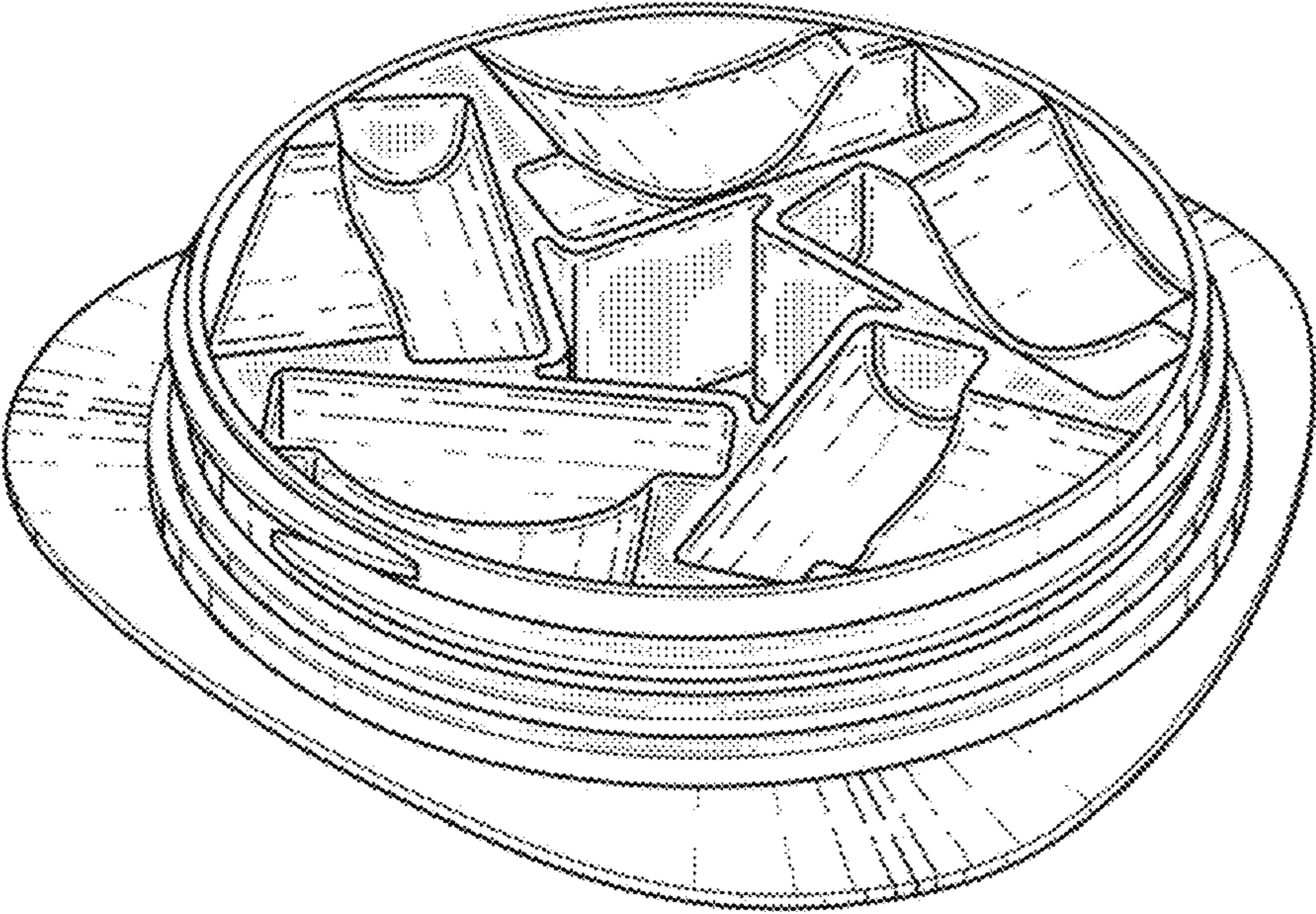


FIG. 4



FIG. 5

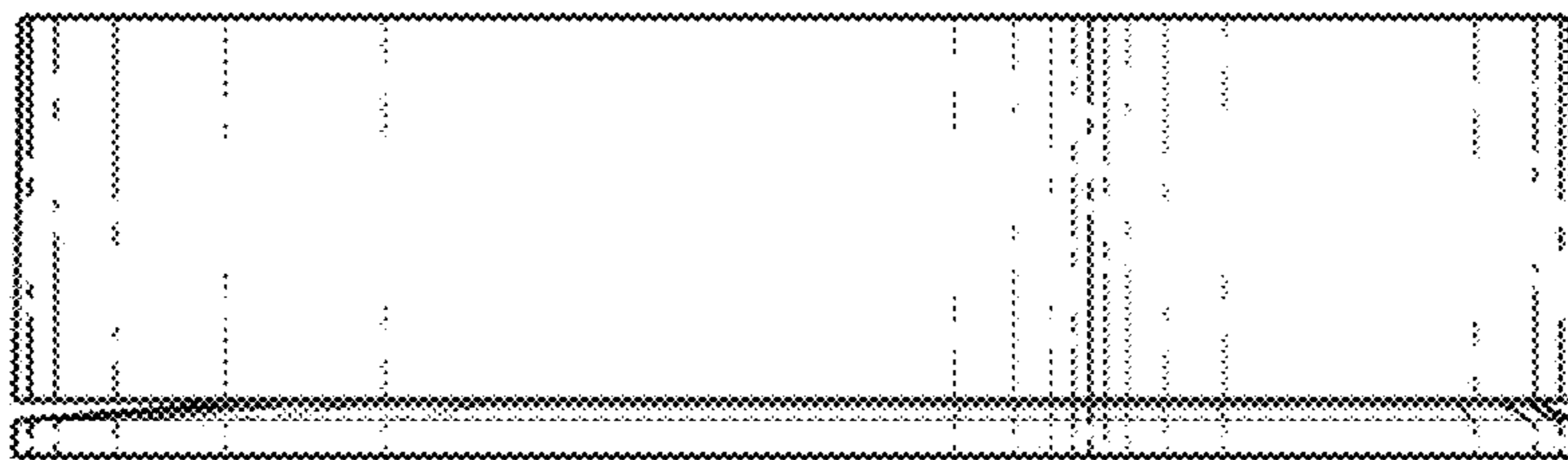


FIG. 6

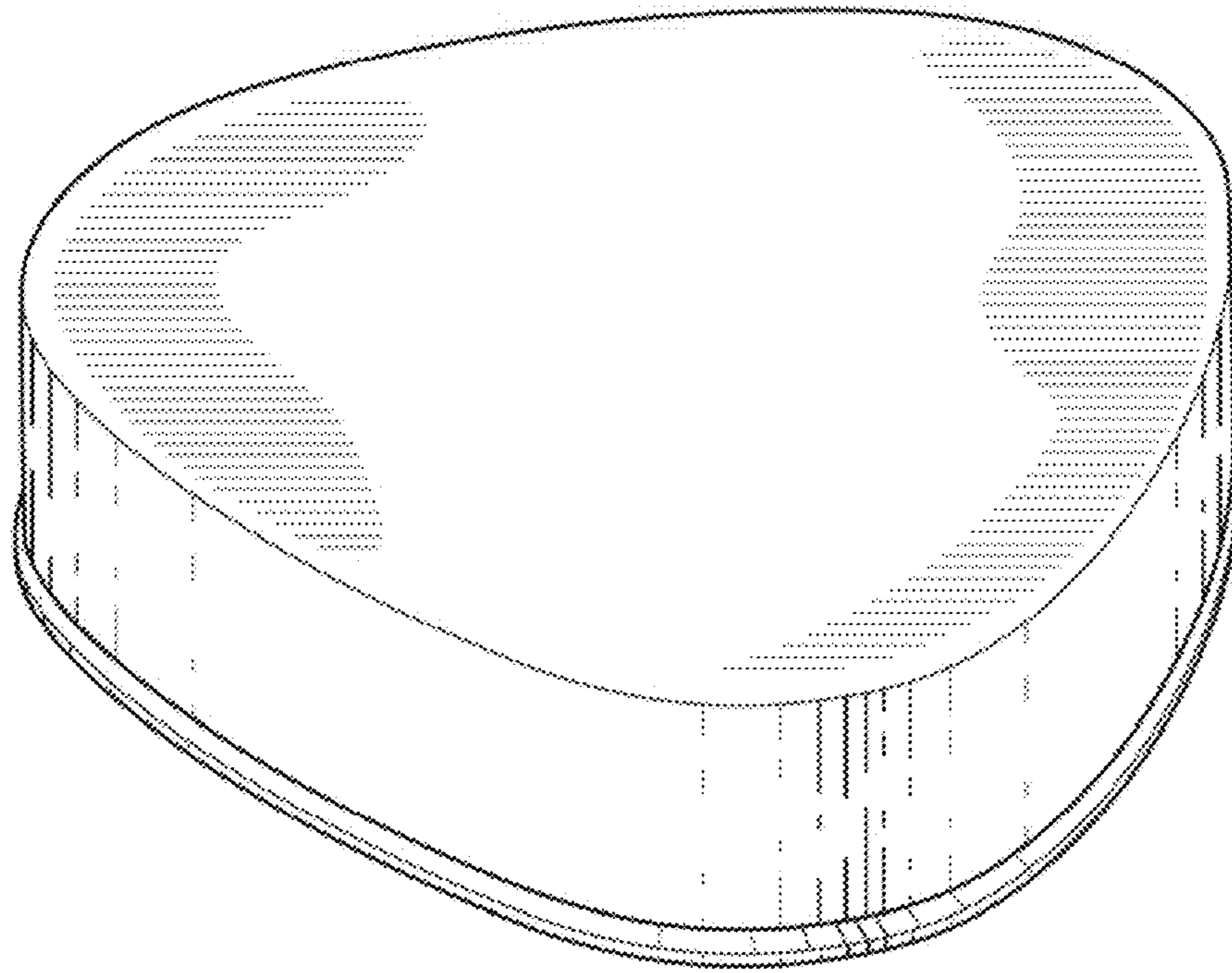


FIG. 7