



US00D748328S

(12) **United States Design Patent**
Choi

(10) **Patent No.:** **US D748,328 S**
(45) **Date of Patent:** **** Jan. 26, 2016**

(54) **VAPORIZER USER INTERFACE**

FOREIGN PATENT DOCUMENTS

(71) Applicant: **Hana Modz, LLC**, Woodridge, IL (US)

CN 301943641 S 5/2012
CN 303014029 S 11/2014

(72) Inventor: **Ho Jung Choi**, Woodridge, IL (US)

(Continued)

(**) Term: **15 Years**

OTHER PUBLICATIONS

(21) Appl. No.: **29/530,158**

Vaporizer Chief, Siglelei 150w Review, Vaporizer Chief (website), Mar. 20, 2015, available at <http://www.vaporizerchief.com/blog/siglelei-150w-review/>.

(22) Filed: **Jun. 13, 2015**

(Continued)

(51) **LOC (10) Cl.** **27-02**

(52) **U.S. Cl.**

USPC **D27/167**

(58) **Field of Classification Search**

USPC D27/101, 163, 167, 183, 186, 189;
D14/191, 243, 198, 257; D10/40, 49,
D10/50; D24/110; D23/360, 363, 366

CPC A24F 47/00; A24F 47/002; A24F 47/004;
A24F 47/006; A24F 47/008

See application file for complete search history.

Primary Examiner — Susan Bennett Hattan

Assistant Examiner — Janice Hallmark

(74) *Attorney, Agent, or Firm* — Peter Jensen-Haxel

(57) **CLAIM**

The ornamental design for a vaporizer user interface, as shown and described.

DESCRIPTION

FIG. 1 is a perspective view of a vaporizer user interface, the perspective view partially from the front of the vaporizer user interface, partially from the right side of the vaporizer user interface, and partially from the bottom of the vaporizer user interface;

FIG. 2 is a front view of the vaporizer user interface of FIG. 1; and,

FIG. 3 is a left side view of the vaporizer user interface of FIG. 1, with a right side of the vaporizer user interface being a mirror image of the right side view of the vaporizer user interface.

The dash-dash broken lines in FIGS. 1 through 3 depict portions of a vaporizer. The dash-dash broken lines in FIGS. 1 and 2 that show “40W” lettering and a battery symbol depict an example of display screen information. The dot-dash broken lines in FIG. 3 depict a portion of a vaporizer into which the vaporizer user interface may be incorporated. All broken lines form no part of the claimed design.

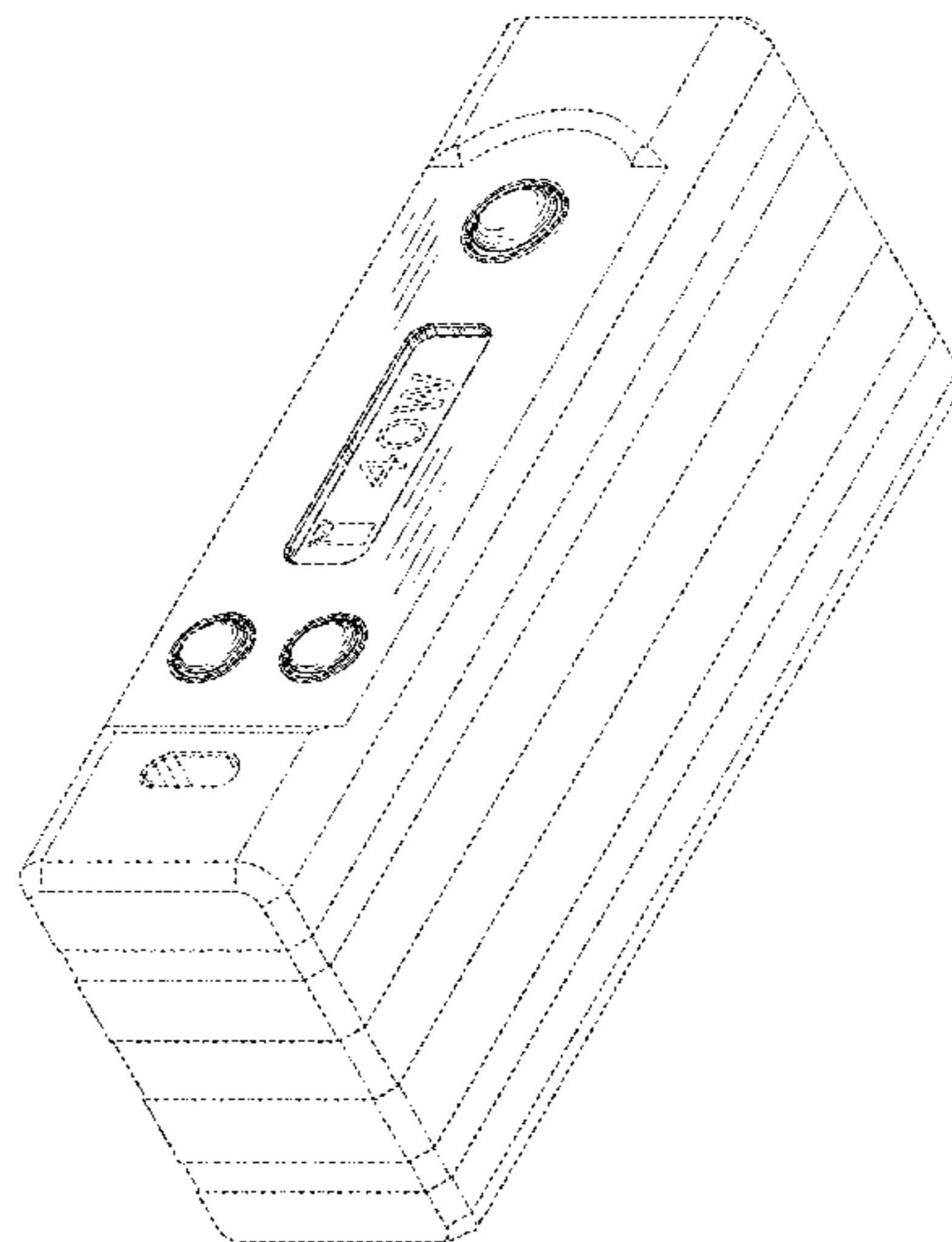
(56) **References Cited**

U.S. PATENT DOCUMENTS

D359,047 S * 6/1995 Brandsma D14/191
D368,230 S * 3/1996 Cohen D10/40
D416,106 S 11/1999 Rennecamp
D422,113 S 3/2000 Higgins et al.
D424,236 S 5/2000 Reed
D433,532 S 11/2000 Higgins et al.
D439,370 S * 3/2001 Chen D10/2
6,814,083 B2 * 11/2004 Likness A24F 47/00
131/330
D537,930 S * 3/2007 Nelson D23/366
D538,914 S * 3/2007 Nelson D23/366
D577,150 S 9/2008 Bryman et al.
D649,708 S 11/2011 Oneil
D654,160 S * 2/2012 Yomtov D23/360
D656,230 S * 3/2012 Robinson D23/363
D659,235 S * 5/2012 Bertinetti D24/110
D662,257 S * 6/2012 Alelov D27/101

(Continued)

1 Claim, 3 Drawing Sheets



(56)

References Cited

U.S. PATENT DOCUMENTS

D666,355	S *	8/2012	Alelov	D27/101
D679,800	S *	4/2013	Gusky	D24/110
D682,715	S *	5/2013	Wang	D10/122
D690,002	S	9/2013	Storey et al.		
D708,727	S *	7/2014	Postma	D23/360
D723,732	S *	3/2015	Alima	D27/167
D729,444	S	5/2015	Leidel		
D729,445	S	5/2015	Leidel		
D730,572	S	5/2015	Leidel		
D731,114	S	6/2015	Leidel		
D733,356	S *	6/2015	Leidel	D27/163
D736,455	S *	8/2015	Liu	D27/189
2015/0078735	A1 *	3/2015	Cormack	A24F 47/00 392/395

FOREIGN PATENT DOCUMENTS

CN	303097319	S	2/2015
CN	303120984	S	3/2015
CN	303129331	S	3/2015
CN	303184362	S	4/2015
CN	303076661	S	5/2015
CN	303219971	S	5/2015
CN	303227661	S	5/2015
CN	303227662	S	5/2015
CN	303227673	S	5/2015
DE	402015200106	S	3/2015
ES	D0517790-08	S	10/2013
FR	20141053-001	S	5/2014
JP	D1368871	S	9/2009
JP	D1469609	S	5/2013
KR	300744710	S	5/2014
KR	300774372	S	2/2015
KR	300788750	S	3/2015
RU	00046260	S	10/1999
WO	D086416	S	5/2015

OTHER PUBLICATIONS

Vape.com, Kanger KBOX 40 Watt 18650 Mod, Vape.com (website), viewed Jun. 14, 2015, available at <http://101vape.com/variable-voltage-wattage-devices/597-kanger-kbox-40-watt-18650-mod.html>.

Apparelcasual.com, Homai Original 30w Box Mod Captain 2200mah Meth Vaporizer Kit, apparelcasual.com(website), viewed Jun. 14, 2015, available at <http://apparelcasual.com/item-detail/homai-original-30w-box-mod-captain-2200mah-meth-vaporizer-kit.html>.

Vaporizor.com, Wulf Vape SX Portable Vaporizer, vaporizor.com (website), viewed Jun. 14, 2015, available at <https://vaporizor.com/wulf-vape-sx-portable-vaporizer.html>.

Alibaba.com, VS1 Pocket herbal vaporizer, alibaba.com (webstie), viewed Jun. 14, 2015, available at http://www.alibaba.com/product-detail/2015-New-arrival-best-portable-Vaporizer_60073767814.html.

Alibaba.com, 2014 High end temperature adjustable 2200mah big capacity cigar vaporizer, alibaba.com (webstie), viewed Jun. 14, 2015, available at http://www.alibaba.com/product-detail/2014-High-end-temperature-adjustable-2200mah_60124590812.html.

Alibaba.com, 2014 2200mah Ismoka istick vaporizer pen, alibaba.com (webstie), viewed Jun. 14, 2015, available at http://www.alibaba.com/product-detail/2014-2200mah-Ismoka-istick-vaporizer-pen_60133622406.html?s=p.

Alibaba.com, 2015 Kanger Subox Mini starter Kit IPV4, alibaba.com (webstie), viewed Jun. 14, 2015, available at http://www.alibaba.com/product-detail/2015-new-products-box-mod-airflow_1740758759.html.

Alibaba.com, Authentic Pioneer4you iPV4 100W Box MOD/iPV, alibaba.com (webstie), viewed Jun. 14, 2015, available at http://www.alibaba.com/product-detail/Authentic-Pioneer4you-iPV4-100W-Box-MOD_60235830348.html.

Vapour Room, iTaste VTR, www.vapour-room.com (website), viewed Jun. 14, 2015, available at https://www.vapour-room.com/itaste_vtr/itaste_vtr.htm.

Shenzhen Vogue Technology Co, Wholesale Huge Vapour Et Vogo E Cigarette, made-in-china.com (website), viewed Jun. 14, 2015, available at <http://vogue-china.en.made-in-china.com/product/nSuEWThYszcX/China-Wholesale-Huge-Vapour-Et-Vogo-E-Cigarette.html>.

Vapornation, Sonic Vaporizer, vapornation.com (website), viewed Jun. 14, 2015, available at <http://www.vapornation.com/sonic-vaporizer.html>.

Apparelcasual.com, Vaporgem Igem 40 Vapor Box, apparelcasual.com (website), viewed Jun. 14, 2015, available at <http://apparelcasual.com/item-detail/china-wholesale-vaporgem-igem-40-vapor-box-wholesale-uk-alibaba-meth-vaporizer-kit.html>.

Apparelcasual.com, Classic C1 30 30w Vv Vw Ecig Mod Kit, apparelcasual.com (website), viewed Jun. 14, 2015, available at <http://apparelcasual.com/item-detail/alibaba-express-hot-sell-classic-c1-30-30w-vv-vw-ecig-mod-kit.html>.

Fasttech, Zero Modz Style Variable Wattage APV Box Mod, www.fasttech.com (website), viewed Jun. 18, 2015, available at <https://www.fasttech.com/product/1996400-zero-modz-style-variable-wattage-apv-box-mod>.

Alibaba.com, Sigelai Mini 30w 2015 Beast Box Mod, alibaba.com (webstie), viewed Jun. 14, 2015, available at http://www.alibaba.com/product-detail/sigelai-box-mod-series-sigelai-mini_60134950070.html.

Cloupor, Clouper T8, <http://www.cloupor.com/> (website), viewed Jun. 14, 2015, available at <http://www.cloupor.com/cloupor-t8-150-watts-box-mod-for-sale>.

Alibaba.com, 2015 Box Mod Vaporizer Smok XPro mini mod 65W, alibaba.com (webstie), viewed Jun. 14, 2015, available at http://www.alibaba.com/product-detail/2015-box-mod-vaporizer-smok-xpro_60158121506.html.

Hanamodz, V4 Dual Collection, hanamodz.com (website), viewed Jun. 14, 2015, available at https://www.hanamodz.com/index.php?main_page=index&cPath=88_70&zenid=3f2b158f8b14a03af8406eddd8e9ffdf.

* cited by examiner

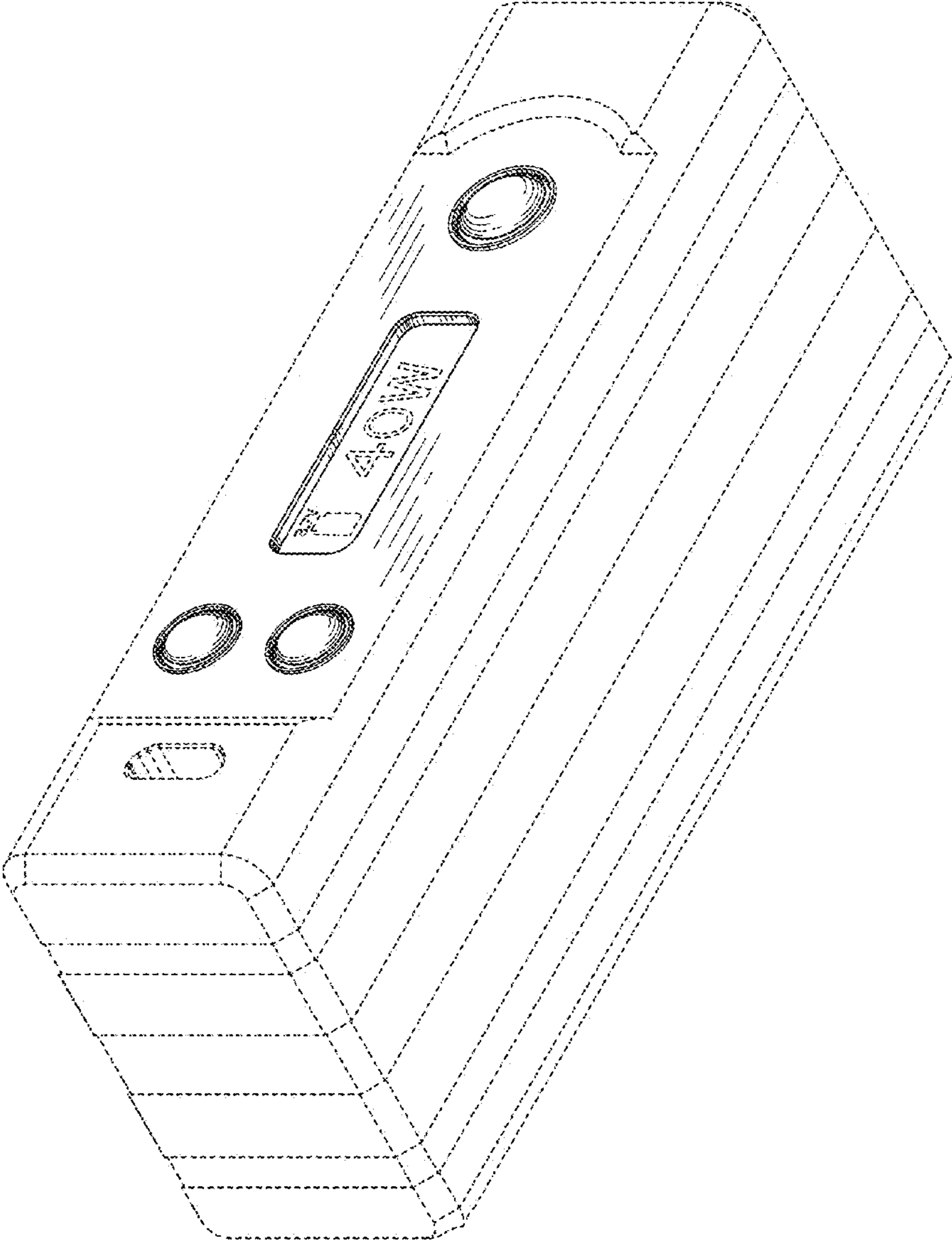


FIG. 1

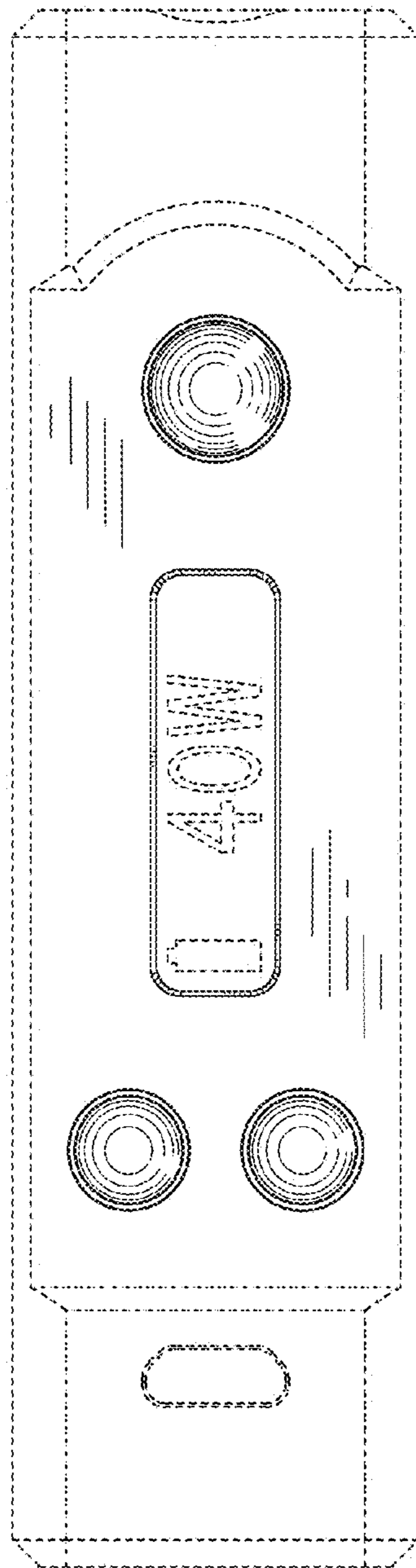


FIG. 2

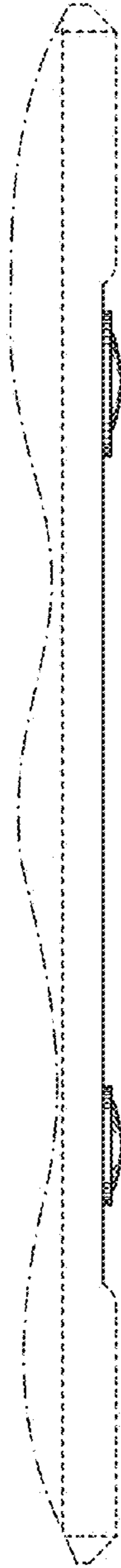


FIG. 3