



US00D748325S

(12) **United States Design Patent**
Leidel

(10) **Patent No.:** **US D748,325 S**
(45) **Date of Patent:** **** Jan. 26, 2016**

(54) **PERSONAL VAPORIZER**

(71) Applicant: **The Hand Media, Inc.**, Miami, FL (US)

(72) Inventor: **Brandon Leidel**, Miami, FL (US)

(**) Term: **15 Years**

(21) Appl. No.: **29/537,090**

(22) Filed: **Aug. 21, 2015**

(51) **LOC (10) Cl.** **27-02**

(52) **U.S. Cl.**
USPC **D27/163**

(58) **Field of Classification Search**
USPC D27/101, 163, 167, 183, 186, 189;
D14/191, 243, 198, 257; D10/40, 49,
D10/50; D24/110; D23/360, 363, 366
CPC A24F 47/00; A24F 47/002; A24F 47/004;
A24F 47/006; A24F 47/008
See application file for complete search history.

(56) **References Cited**

U.S. PATENT DOCUMENTS

6,814,083	B2 *	11/2004	Likness	A24F 47/00 131/330
D537,930	S *	3/2007	Nelson	D23/366
D538,914	S *	3/2007	Nelson	D23/366
D547,440	S *	7/2007	Louet-Feisser	D24/110
D577,150	S *	9/2008	Bryman	D27/163
D613,903	S	4/2010	Wu		
D644,725	S *	9/2011	Kim	D23/366
D649,708	S	11/2011	Oneil		
D654,160	S *	2/2012	Yomtov	D23/360
D656,094	S	3/2012	Wu		
D657,047	S	4/2012	Minskoff		
D664,636	S *	7/2012	Robinson	D23/360
D666,355	S	8/2012	Alelov		
D675,777	S	2/2013	Wu		
D677,000	S	2/2013	Liu		
D683,899	S	6/2013	Liu		
D706,976	S	6/2014	Wu		
D708,727	S *	7/2014	Postma	D23/360
D729,444	S *	5/2015	Leidel	D27/163

D729,445	S *	5/2015	Leidel	D27/163
D730,572	S *	5/2015	Leidel	D27/163
D731,114	S *	6/2015	Leidel	D27/163
D733,356	S *	6/2015	Leidel	D27/163
2012/0255546	A1 *	10/2012	Goetz	A61M 11/041 128/202.21
2014/0196732	A1 *	7/2014	Liu	A24F 47/008 131/329
2014/0283824	A1 *	9/2014	Wheelock	A61M 11/041 128/202.21

* cited by examiner

Primary Examiner — Susan Bennett Hattan

Assistant Examiner — Janice Hallmark

(74) *Attorney, Agent, or Firm* — Christopher J. VanDam, P.A.; Chris Vandam

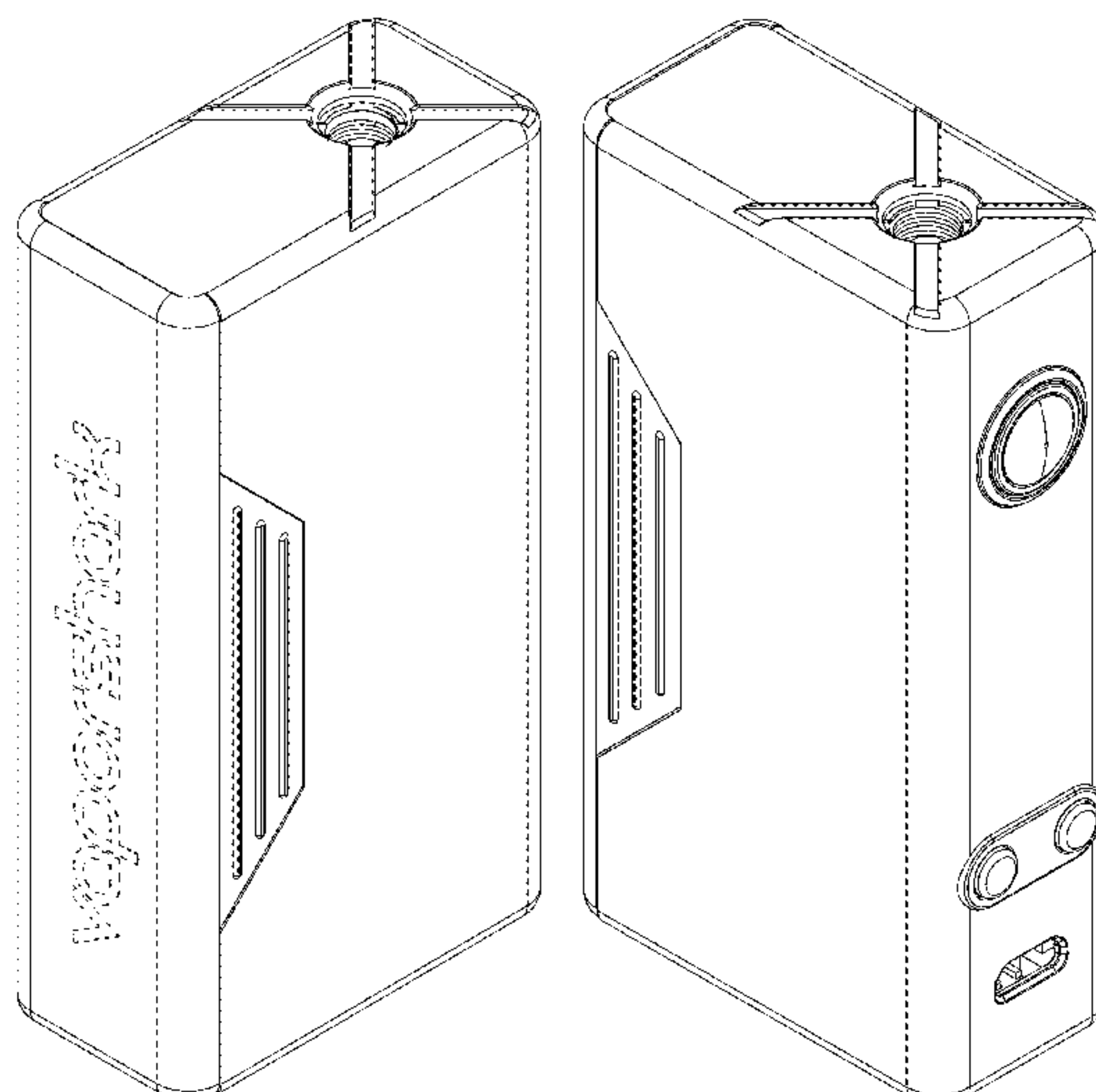
(57) **CLAIM**

The ornamental design for a personal vaporizer, as shown and described.

DESCRIPTION

FIG. 1 is a perspective view of a personal vaporizer.
 FIG. 2 is a perspective view of the personal vaporizer.
 FIG. 3 is a perspective view of the personal vaporizer.
 FIG. 4 is an elevation view of the personal vaporizer.
 FIG. 5 is an elevation view of the personal vaporizer.
 FIG. 6 is an elevation view of the personal vaporizer.
 FIG. 7 is a plan view of the personal vaporizer.
 FIG. 8 is a plan view of the personal vaporizer.
 FIG. 9 is an exploded elevation view of the personal vaporizer.
 FIG. 10 is an exploded perspective view of the personal vaporizer.
 FIG. 11 is an exploded perspective view of the personal vaporizer; and,
 FIG. 12 is an exploded perspective view of the personal vaporizer.
 The broken lines in the drawings depicting the word “vapor-shark” on the personal vaporizer form no part of the claimed design.

1 Claim, 12 Drawing Sheets



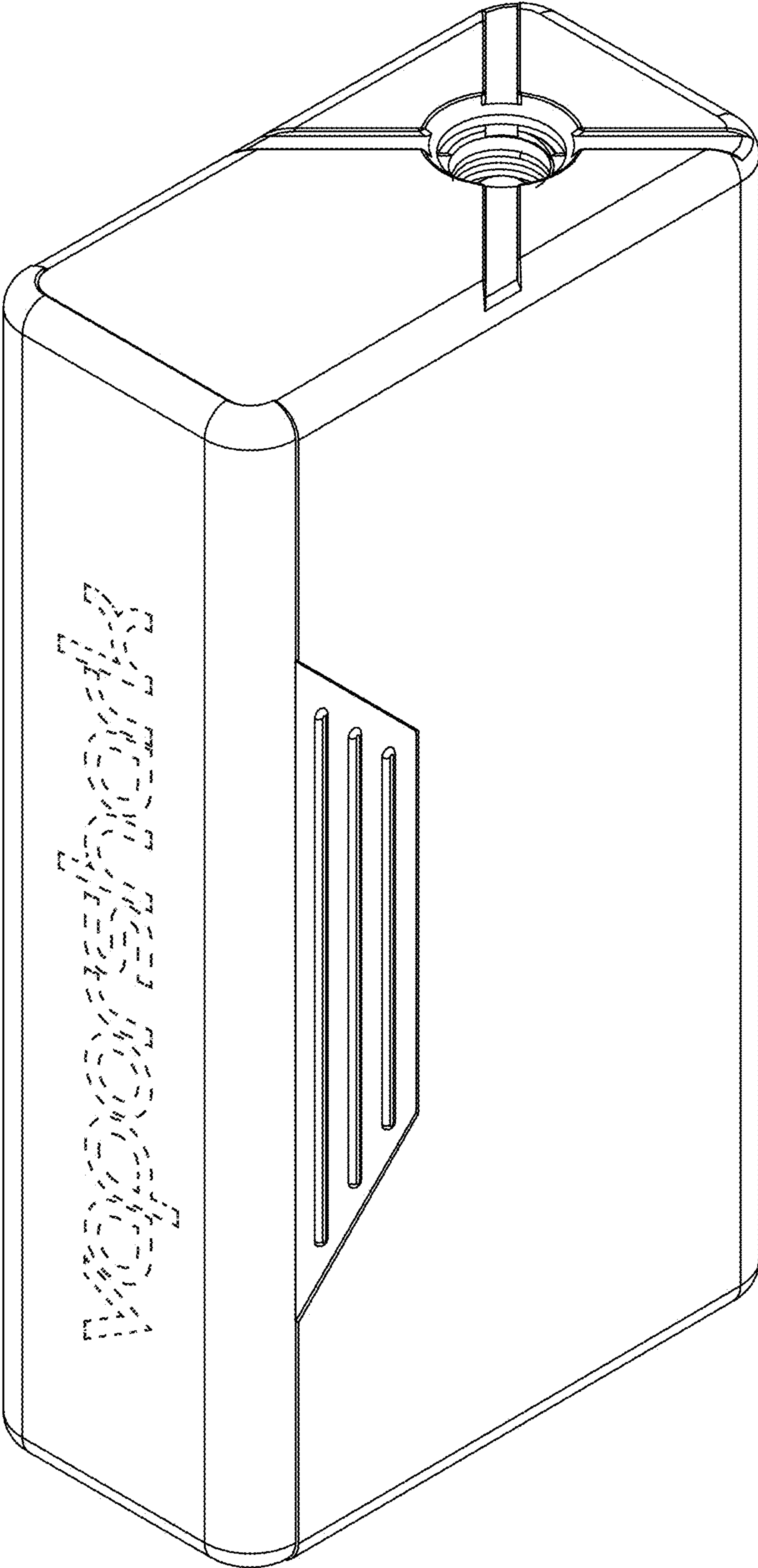


Fig. 1

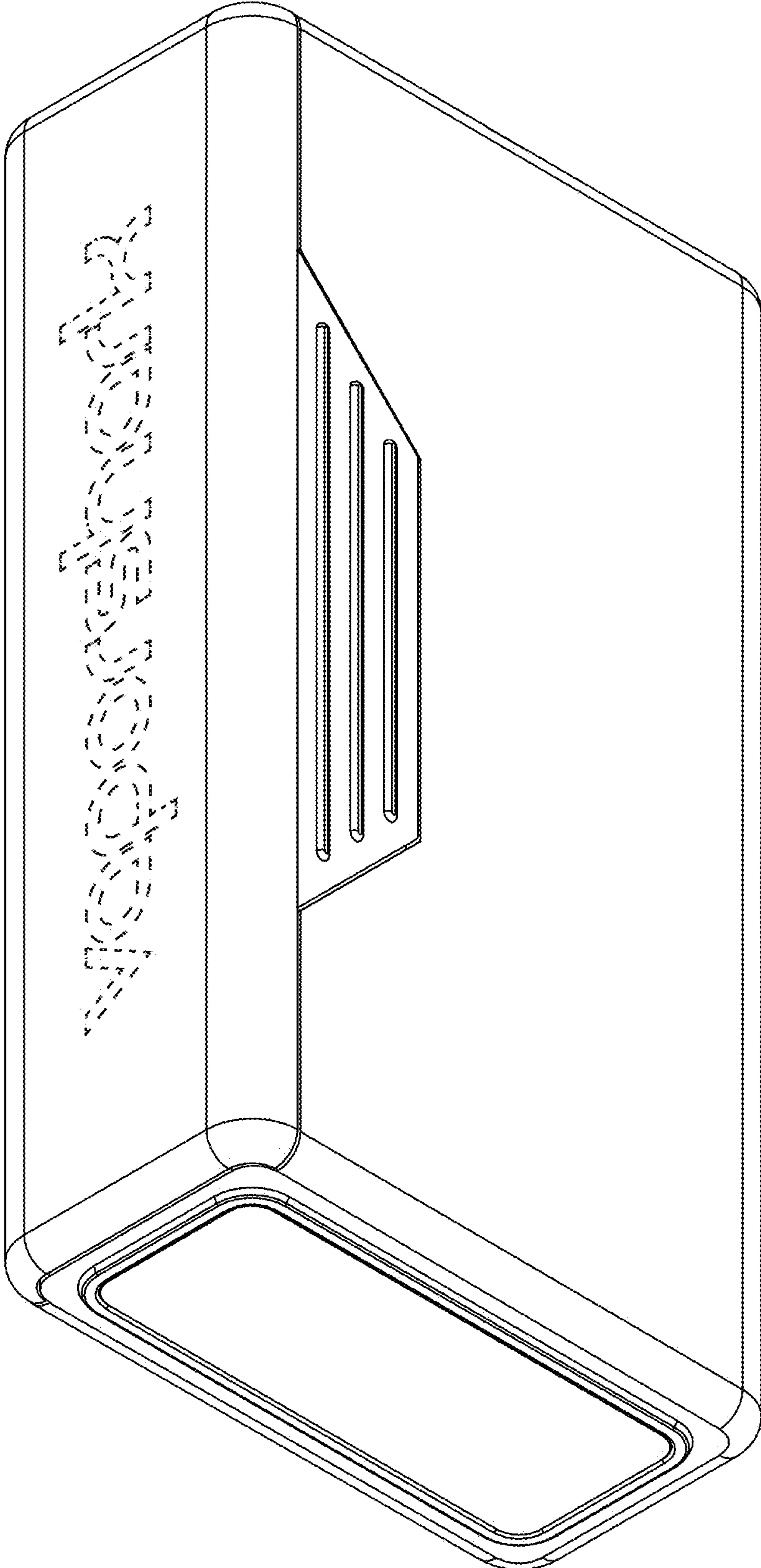


Fig. 2

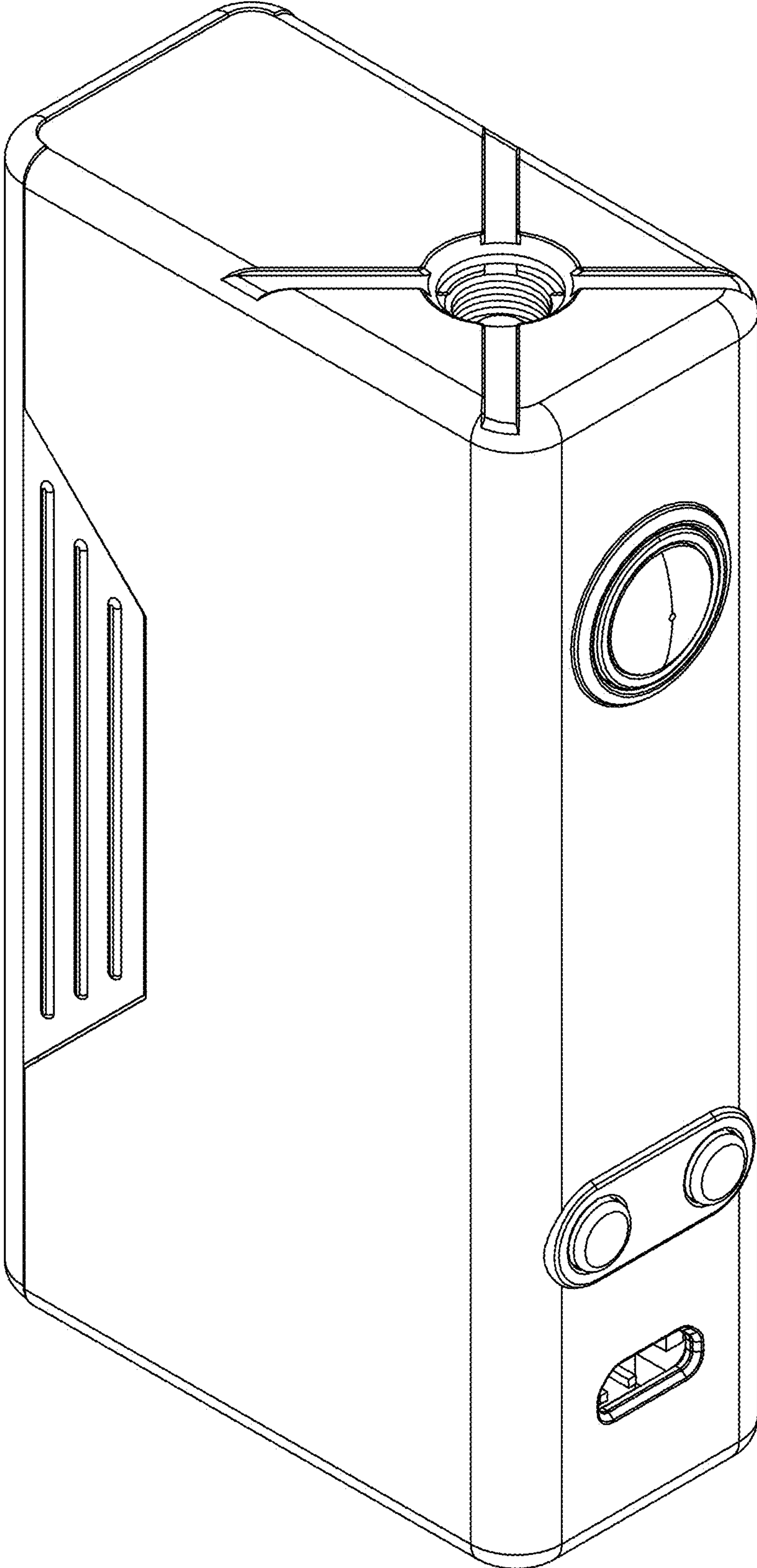


Fig. 3

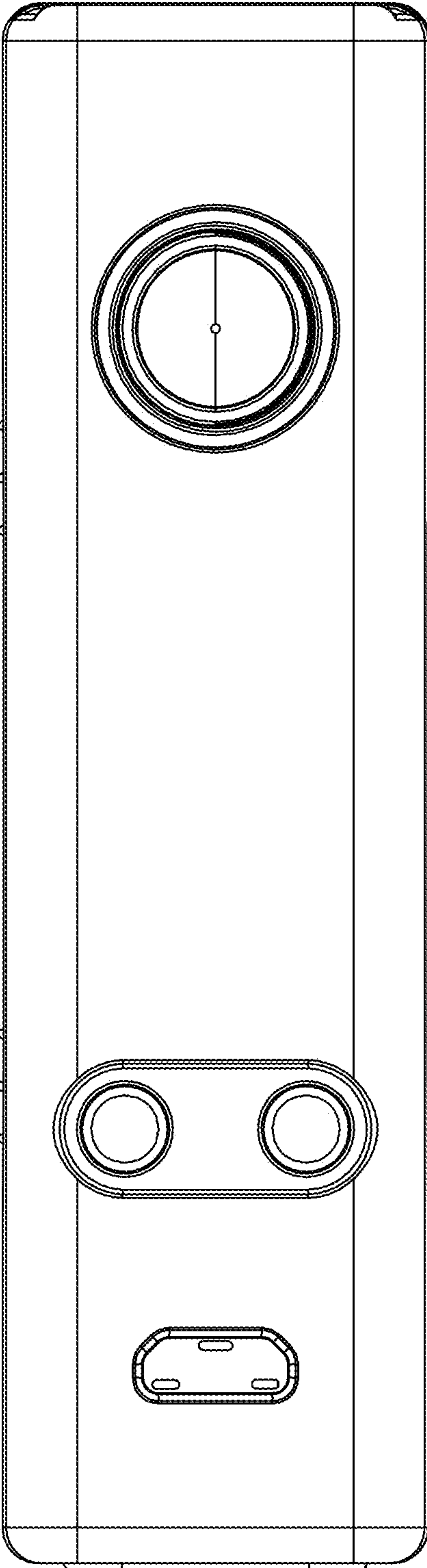


Fig. 4

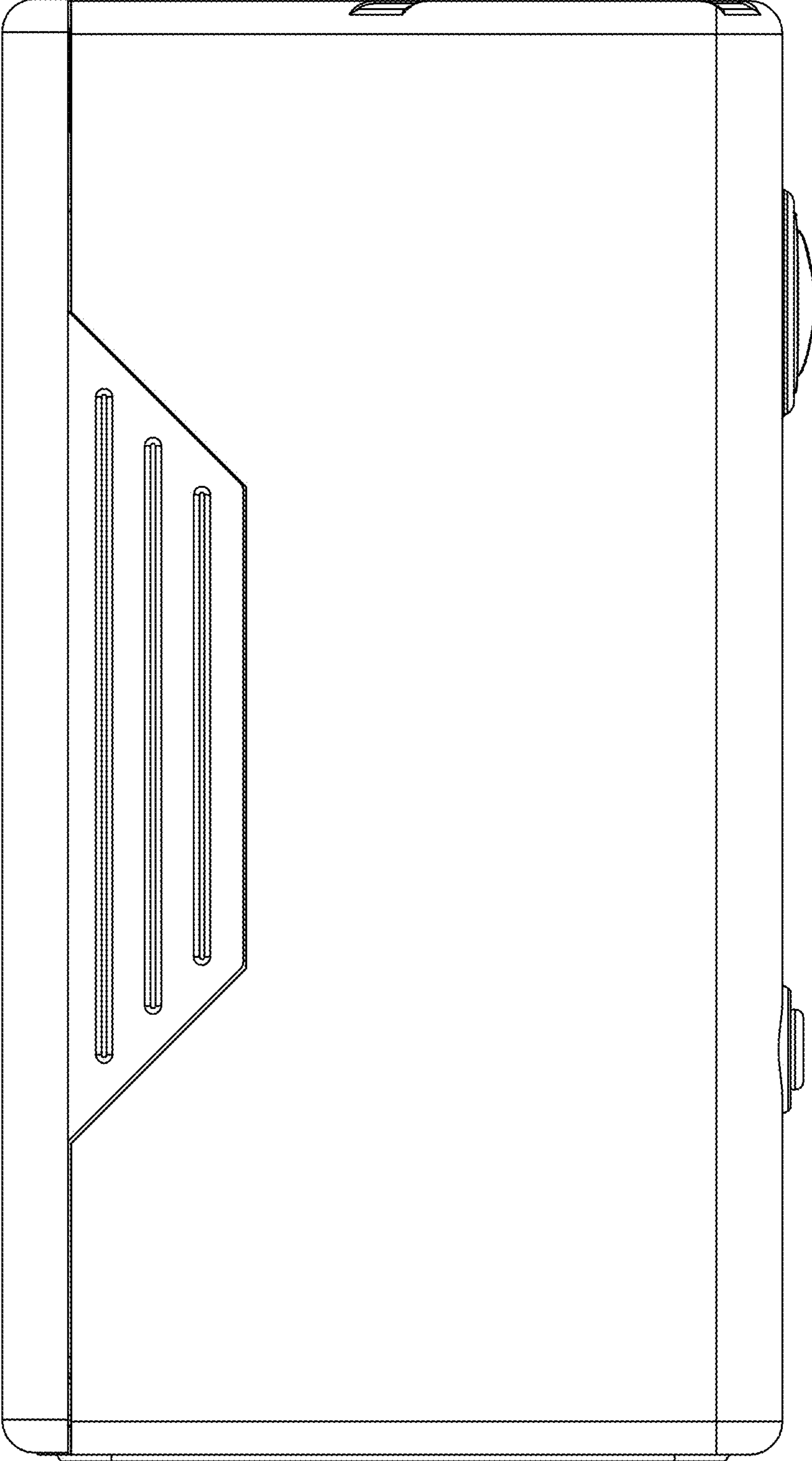


Fig. 5

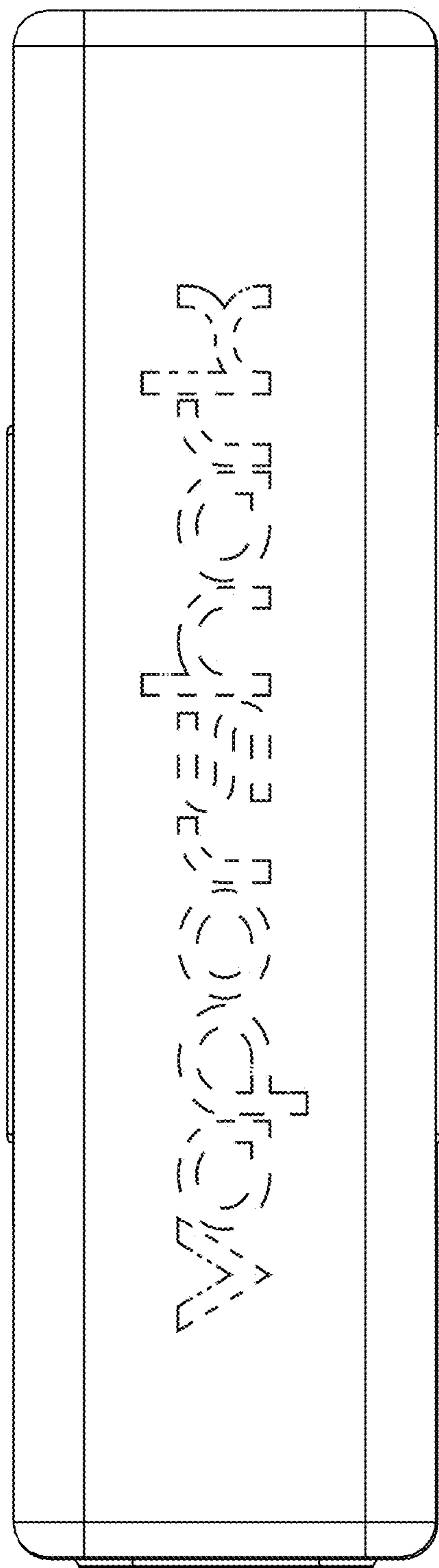


Fig. 6

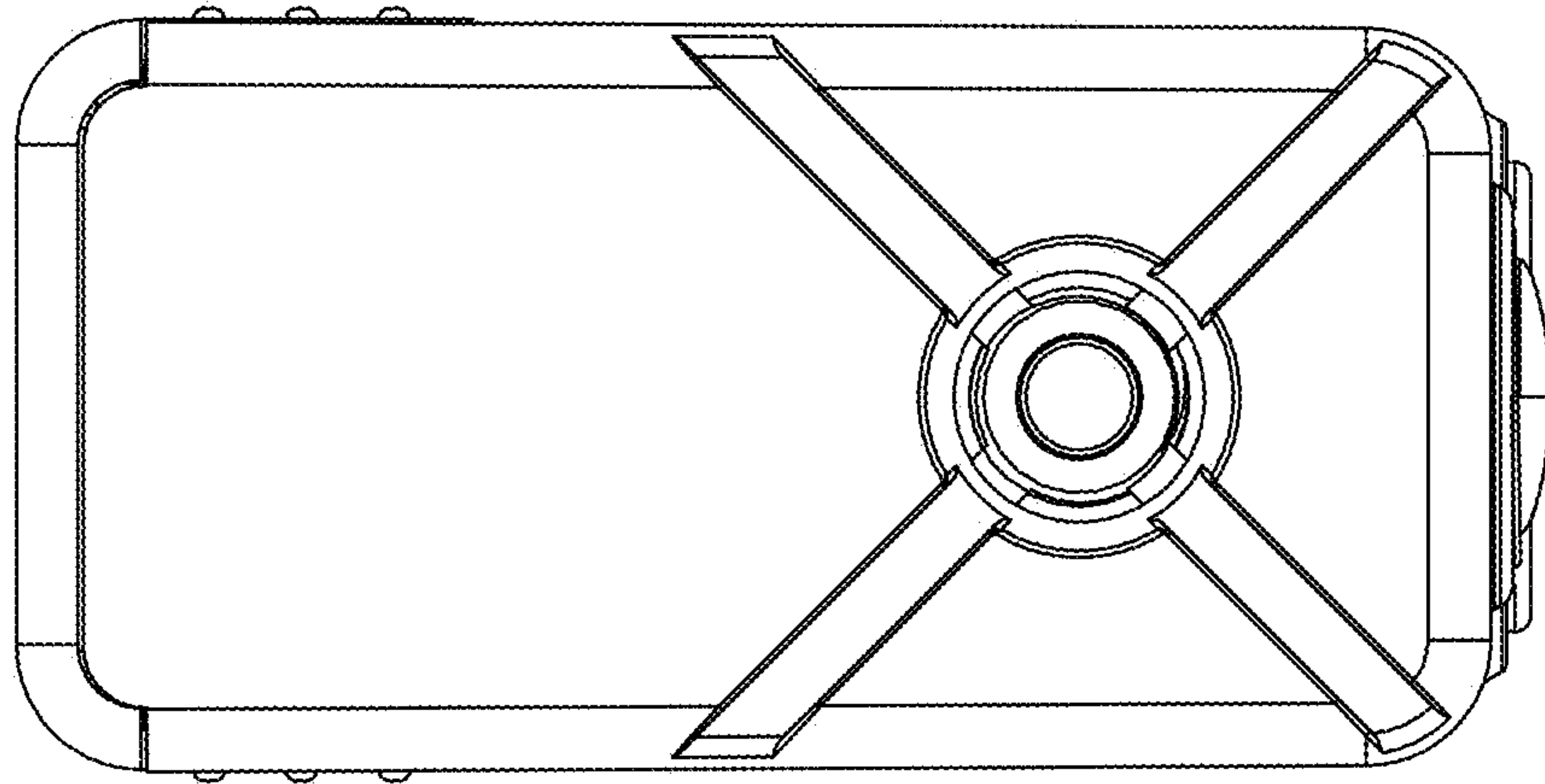


Fig. 7

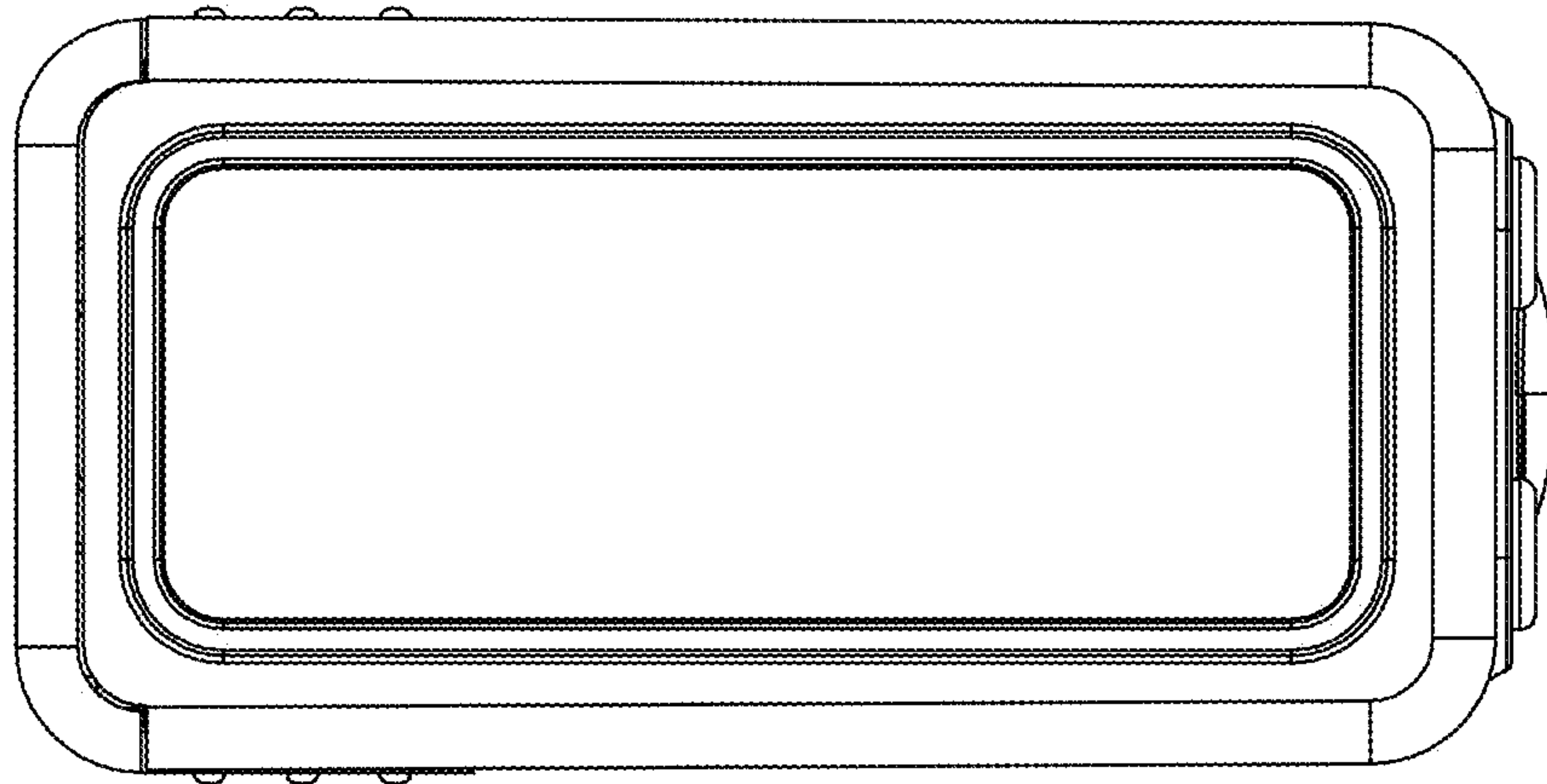


Fig. 8

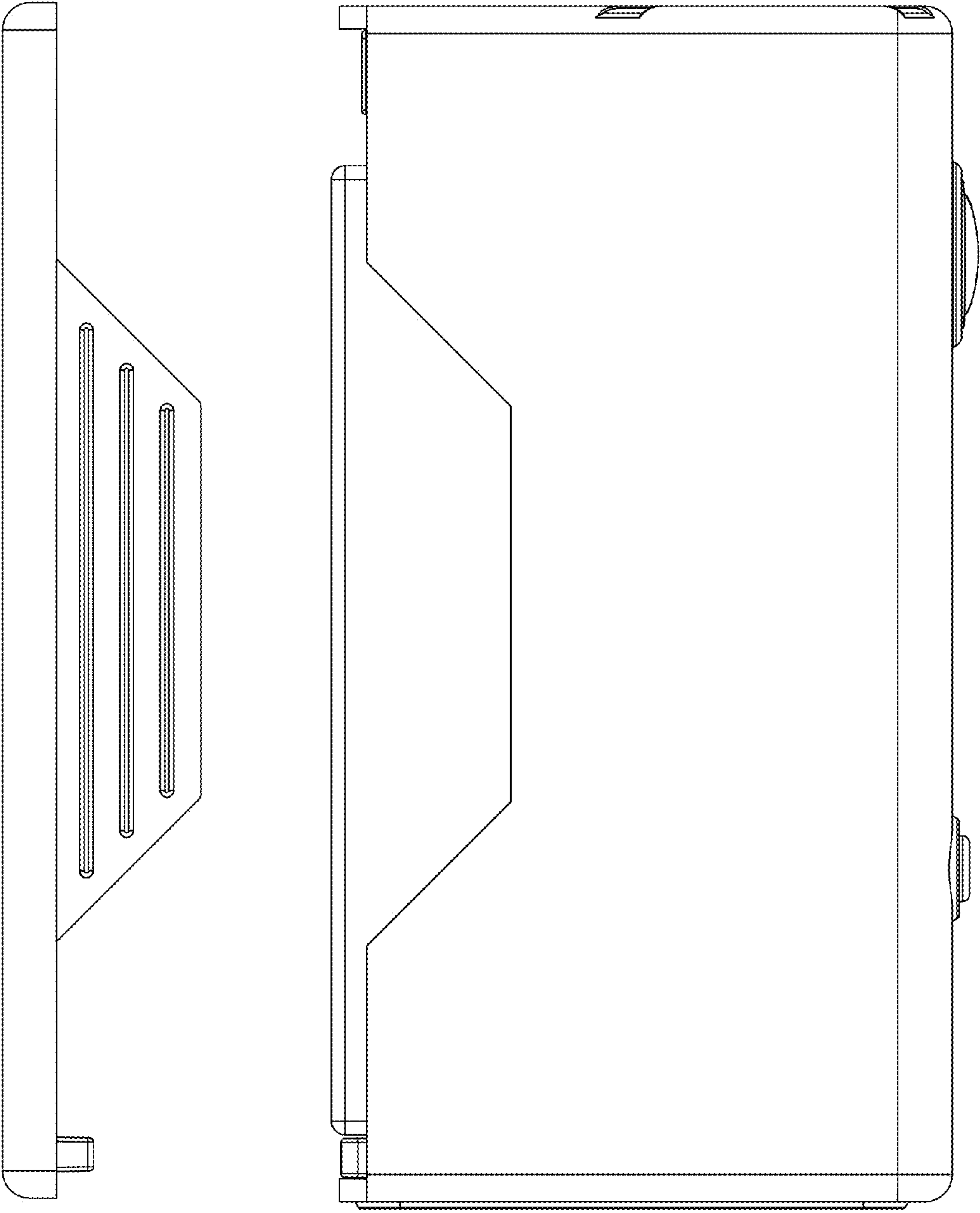


Fig. 9

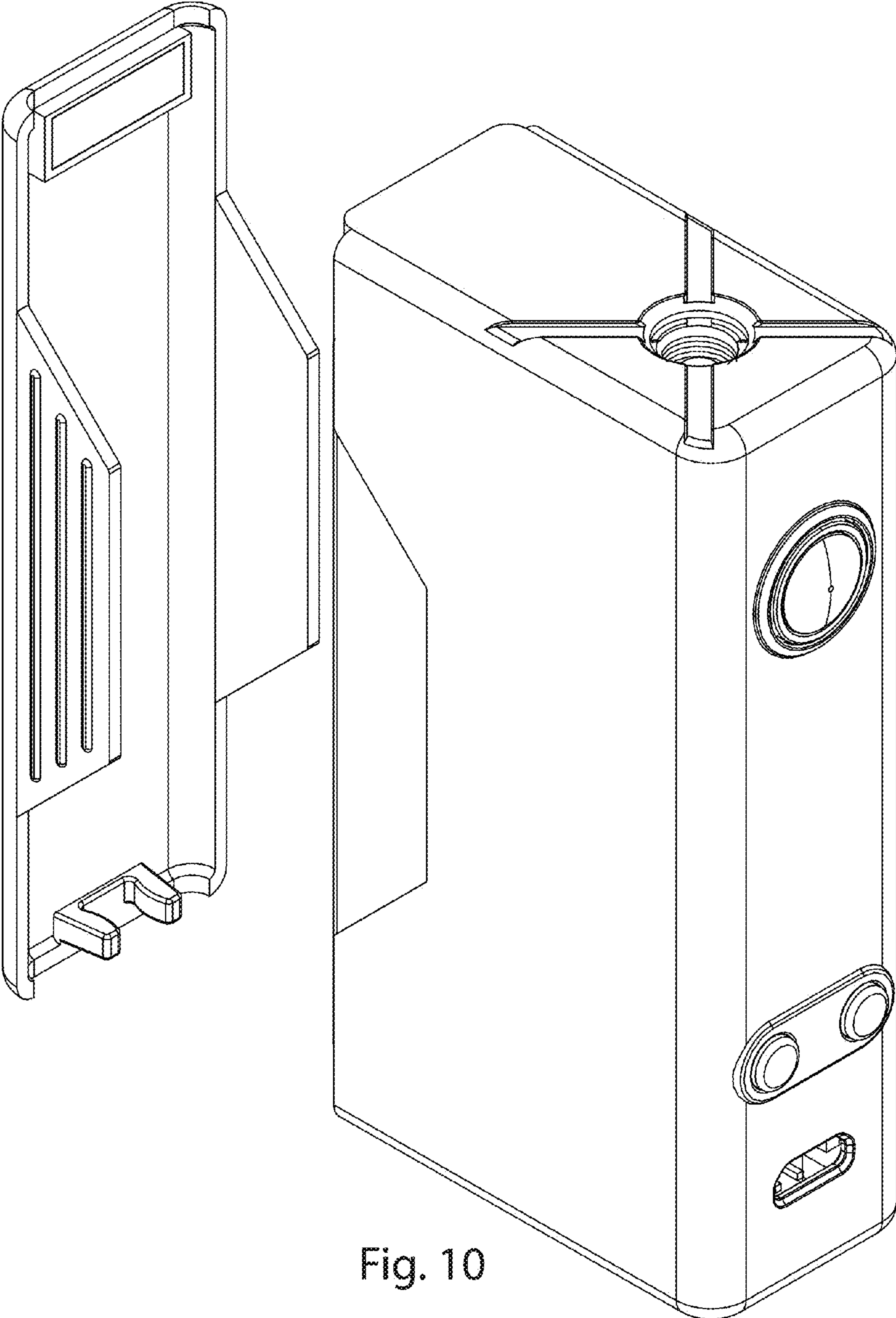


Fig. 10

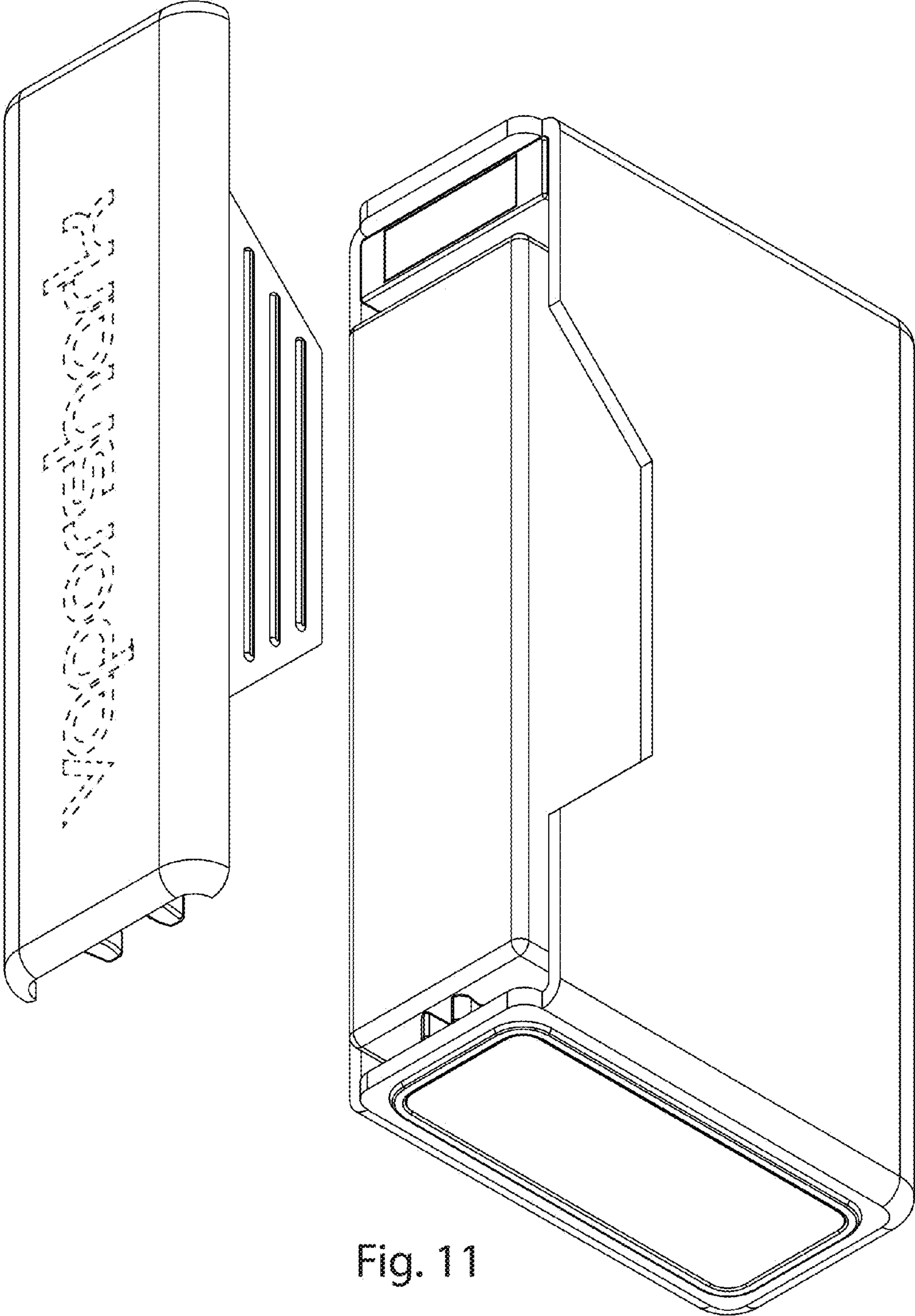


Fig. 11

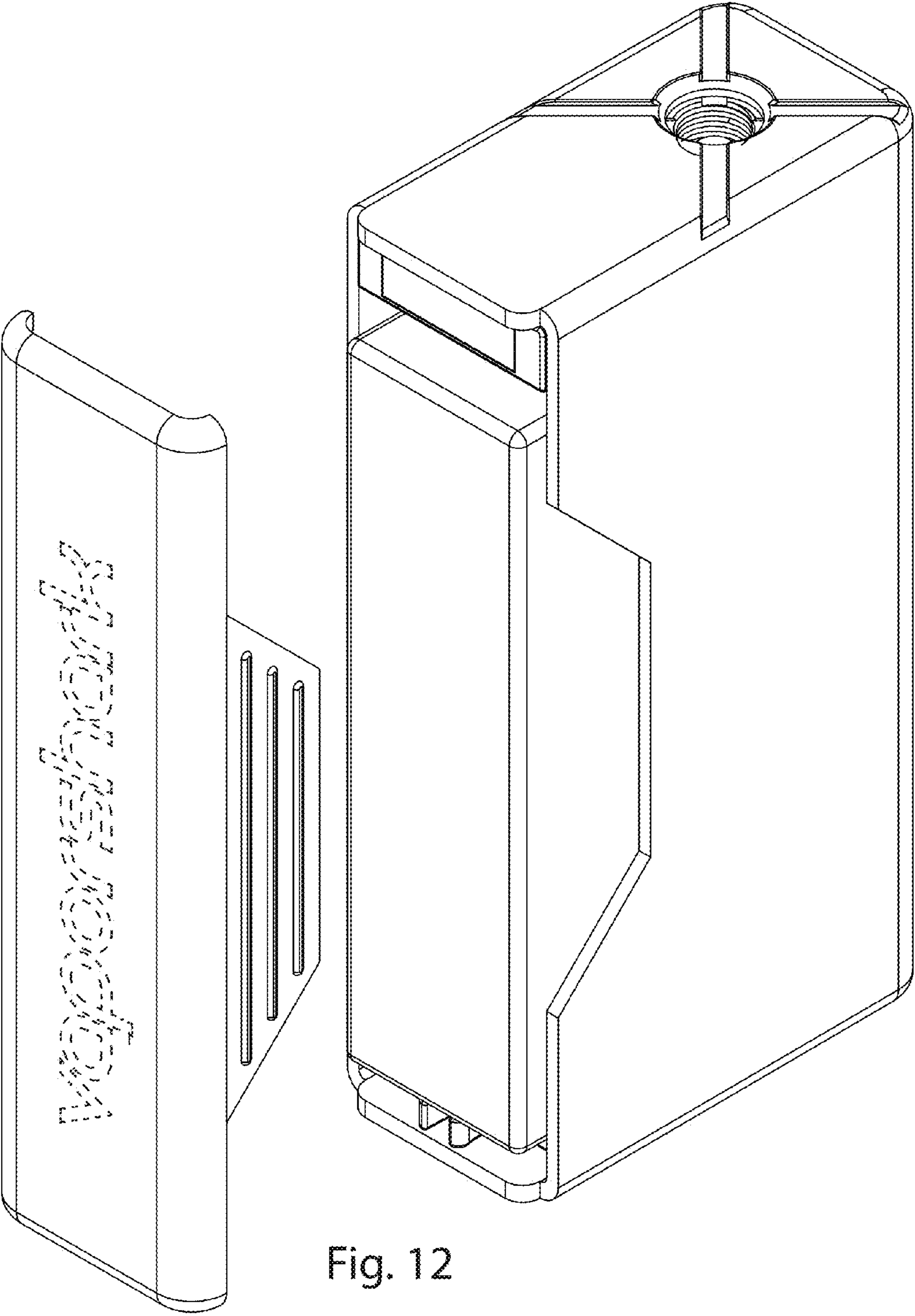


Fig. 12