



US00D748324S

(12) **United States Design Patent**
Choi

(10) **Patent No.:** **US D748,324 S**
(45) **Date of Patent:** **** Jan. 26, 2016**

(54) **ELECTRONIC VAPORIZER**

(71) Applicant: **Hana Modz, LLC**, Woodridge, IL (US)

(72) Inventor: **Ho Jung Choi**, Woodridge, IL (US)

(73) Assignee: **HANA MODZ, LLC**, Woodridge, IL (US)

(**) Term: **15 Years**

(21) Appl. No.: **29/530,157**

(22) Filed: **Jun. 13, 2015**

(51) **LOC (10) Cl.** **27-02**

(52) **U.S. Cl.**
USPC **D27/163; D27/167**

(58) **Field of Classification Search**
USPC D27/162, 163, 167, 182-184, 186-191,
D27/193, 194; 131/194, 270-273, 328-330;
D13/108, 110; D23/360, 363;
128/202.21
CPC A61M 5/06; A24F 47/002
See application file for complete search history.

(56) **References Cited**

U.S. PATENT DOCUMENTS

D416,106 S	11/1999	Rennecamp	
D422,113 S	3/2000	Higgins et al.	
D424,236 S	5/2000	Reed	
D433,532 S	11/2000	Higgins et al.	
6,615,840 B1 *	9/2003	Fournier et al.	131/194

(Continued)

FOREIGN PATENT DOCUMENTS

CN	301943641 S	5/2012
CN	303014029 S	11/2014

(Continued)

OTHER PUBLICATIONS

U.S. Appl. No. 29/528,658, filed May 29, 2015 (Not Published).

(Continued)

Primary Examiner — Susan Bennett Hattan

Assistant Examiner — Janice Hallmark

(74) *Attorney, Agent, or Firm* — Peter Jensen-Haxel

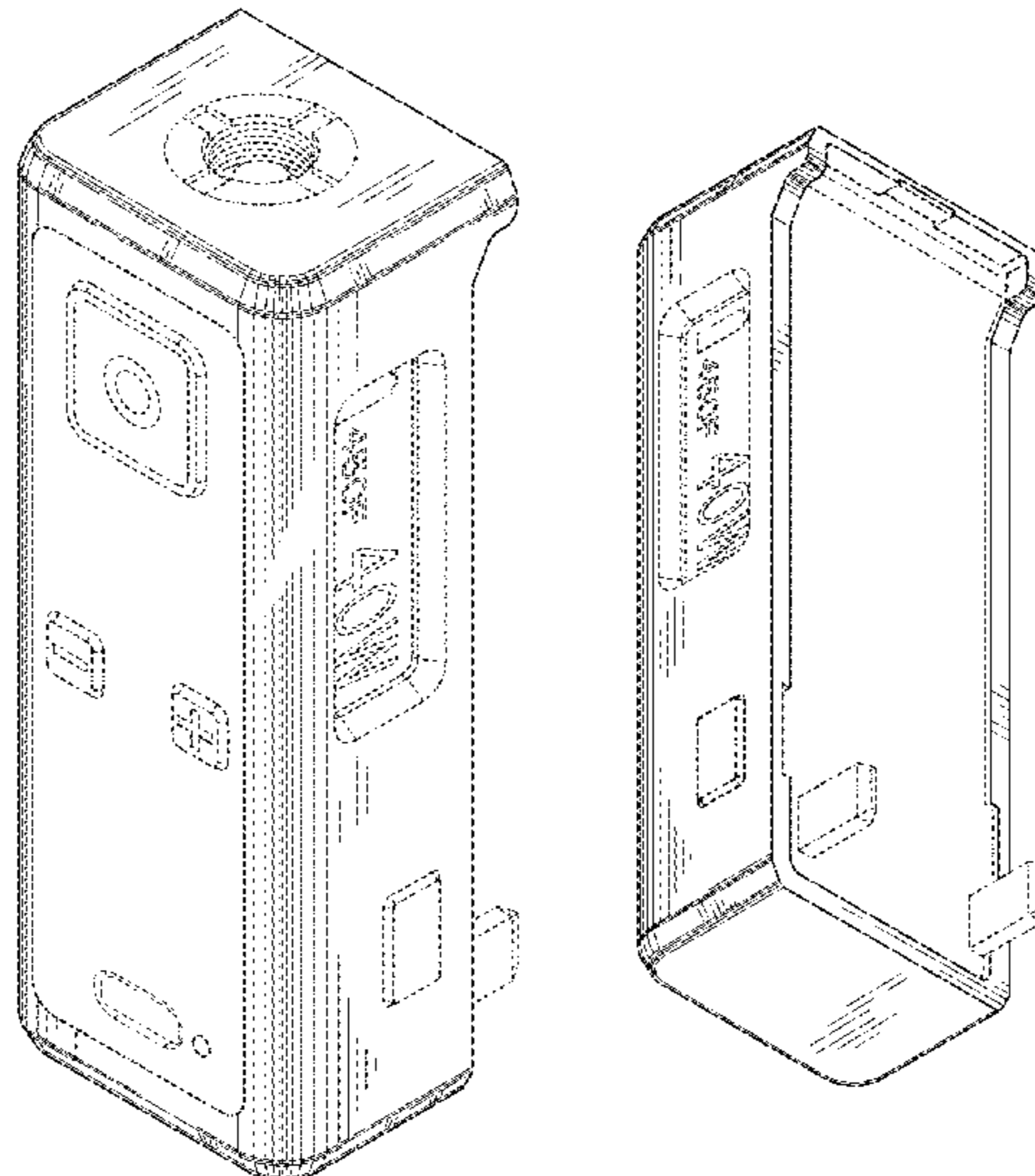
(57) **CLAIM**

The ornamental design for an electronic vaporizer, as shown and described.

DESCRIPTION

FIG. 1 is a perspective view of an electronic vaporizer, the perspective view partially from the front of the electronic vaporizer, partially from the right side of the electronic vaporizer, and partially from the top of the electronic vaporizer; FIG. 2 is a perspective view of an electronic vaporizer of FIG. 1, the perspective view partially from the back of the electronic vaporizer, partially from the left side of the electronic vaporizer, and partially from the bottom of the electronic vaporizer; FIG. 3 is a front view of the electronic vaporizer of FIG. 1; FIG. 4 is a back view of the electronic vaporizer of FIG. 1; FIG. 5 is a right side view of the electronic vaporizer of FIG. 1; FIG. 6 is a left side view of the electronic vaporizer of FIG. 1; FIG. 7 is a top view of the electronic vaporizer of FIG. 1; and, FIG. 8 is a bottom view of the electronic vaporizer of FIG. 1. The broken lines on the front of the vaporizer depict an example of a user interface of the vaporizer, the broken lines on the top of the vaporizer depict an example of a connection adapter for the vaporizer, the broken lines on the right side of the vaporizer depict an example of a display of the vaporizer, and all other broken lines depict additional example parts of the vaporizer; All broken lines are for illustrative purposes only and form no part of the claimed design.

1 Claim, 7 Drawing Sheets



(56)

References Cited

U.S. PATENT DOCUMENTS

D538,914	S	*	3/2007	Nelson	D23/366
D547,440	S	*	7/2007	Louet-Feisser	D24/110
D577,150	S		9/2008	Bryman et al.		
7,753,055	B2	*	7/2010	Bryman	131/351
D649,708	S		11/2011	Oneil		
D654,160	S	*	2/2012	Yomtov	D23/360
D675,777	S	*	2/2013	Wu	D27/101
D677,774	S	*	3/2013	Postma	D23/360
D690,002	S		9/2013	Storey et al.		
D708,727	S	*	7/2014	Postma	D23/360
8,881,738	B2	*	11/2014	Bryman	131/329
D729,444	S		5/2015	Leidel		
D729,445	S		5/2015	Leidel		
D730,572	S		5/2015	Leidel		
D731,114	S		6/2015	Leidel		
D733,356	S	*	6/2015	Leidel	D27/163
D733,651	S	*	7/2015	Liu	D13/108
2009/0183744	A1	*	7/2009	Hayton et al.	131/270
2012/0255546	A1	*	10/2012	Goetz et al.	128/202.21
2014/0196732	A1	*	7/2014	Liu	131/329
2014/0283824	A1	*	9/2014	Wheelock et al.	128/202.21

FOREIGN PATENT DOCUMENTS

CN	303097319	S	2/2015
CN	303120984	S	3/2015
CN	303129331	S	3/2015
CN	303184362	S	4/2015
CN	303076661	S	5/2015
CN	303219971	S	5/2015
CN	303227661	S	5/2015
CN	303227662	S	5/2015
CN	303227673	S	5/2015
DE	402015200106	S	3/2015
ES	D0517790-08	S	10/2013
FR	20141053-001	S	5/2014
JP	D1368871	S	9/2009
JP	D1469609	S	5/2013
KR	300744710	S	5/2014
KR	300774372	S	2/2015
KR	300788750	S	3/2015
RU	00046260	S	10/1999
WO	D086416	S	5/2015

OTHER PUBLICATIONS

U.S. Appl. No. 29/528,662, filed May 29, 2015 (Not Published).
 Vaporizer Chief, Siglelei 150w Review, Vaporizer Chief (website), Mar. 20, 2015, available at <http://www.vaporizerchief.com/blog/siglelei-150w-review/>.
 Vape.com, Kanger KBOX 40 Watt 18650 Mod, Vape.com (website), viewed Jun. 14, 2015, available at <http://101vape.com/variable-voltage-wattage-devices/597-kanger-kbox-40-watt-18650-mod.html>.
 Apparelcasual.com, Homai Original 30w Box Mod Captain 2200mah Meth Vaporizer Kit, apparelcasual.com (website), viewed Jun. 14, 2015, available at <http://apparelcasual.com/item-detail/homai-original-30w-box-mod-captain-2200mah-meth-vaporizer-kit.html>.
 Vaporizer.com, Wulf Vape SX Portable Vaporizer, vaporizer.com (website), viewed Jun. 14, 2015, available at <https://vaporizer.com/wulf-vape-sx-portable-vaporizer.html>.

Alibaba.com, VS1 Pocket herbal vaporizer, alibaba.com (website), viewed Jun. 14, 2015, available at http://www.alibaba.com/product-detail/2015-New-arrival-best-portable-Vaporizer_60073767814.html.

Alibaba.com, 2014 High end temperature adjustable 2200mah big capacity cigar vaporizer, alibaba.com (website), viewed Jun. 14, 2015, available at http://www.alibaba.com/product-detail/2014-High-end-temperature-adjustable-2200mah_60124590812.html.

Alibaba.com, 2014 2200mah Ismoka istick vaporizer pen, alibaba.com (website), viewed Jun. 14, 2015, available at http://www.alibaba.com/product-detail/2014-2200mah-Ismoka-istick-vaporizer-pen_60133622406.html?s=p.

Alibaba.com, 2015 Kanger Subox Mini starter Kit IPV4, alibaba.com (website), viewed Jun. 14, 2015, available at http://www.alibaba.com/product-detail/2015-new-products-box-mod-airflow_1740758759.html.

Alibaba.com, Authentic Pioneer4you IPV4 100W Box Mod/iPV, alibaba.com (website), viewed Jun. 14, 2015, available at http://www.alibaba.com/product-detail/Authentic-Pioneer4you-iPV4-100W-Box-MOD_60235830348.html.

Vapour Room, iTaste VTR, www.vapour-room.com (website), viewed Jun. 14, 2015, available at https://www.vapour-room.com/itaste_vtr/itaste_vtr.htm.

Shenzhen Vogue Technology Co, Wholesale Huge Vapour Et Vogo E Cigarette, made-in-china.com (website), viewed Jun. 14, 2015, available at <http://vogue-china.en.made-in-china.com/product/nSuEWThYszcX/China-Wholesale-Huge-Vapour-Et-Vogo-E-Cigarette.html>.

Vapornation, Sonic Vaporizer, vapornation.com (website), viewed Jun. 14, 2015, available at <http://www.vapornation.com/sonic-vaporizer.html>.

Apparelcasual.com, Vaporgem Igem 40 Vapor Box, apparelcasual.com (website), viewed Jun. 14, 2015, available at <http://apparelcasual.com/item-detail/china-wholesale-vaporgem-igem-40-vapor-box-wholesale-uk-alibaba-meth-vaporizer-kit.html>.

Apparelcasual.com, Classic C1 30 30w Vv Vw Ecig Mod Kit, apparelcasual.com (website), viewed Jun. 14, 2015, available at <http://apparelcasual.com/item-detail/alibaba-express-hot-sell-classic-c1-30-30w-vv-vw-ecig-mod-kit.html>.

Fasttech, Zero Modz Style Variable Wattage APV Box Mod, www.fasttech.com (website), viewed Jun. 18, 2015, available at <https://www.fasttech.com/product/1996400-zero-modz-style-variable-wattage-apv-box-mod>.

Alibaba.com, Siglelei Mini 30w 2015 Beast Box Mod, alibaba.com (website), viewed Jun. 14, 2015, available at http://www.alibab.com/product-detail/siglelei-box-mod-series-siglelei-mini_60134950070.html.

Cloupor, Clouper T8, <http://www.cloupor.com/> (website), viewed Jun. 14, 2015, available at <http://www.cloupor.com/cloupor-t8-150-watts-box-mod-for-sale>.

Alibaba.com, 2015 Box Mod Vaporizer Smok XPro Mini Mod 65W, alibaba.com (website), viewed Jun. 14, 2015, available at http://www.alibaba.com/product-detail/2015-box-mod-vaporizer-smok-xpro_60158121506.html.

Hanamodz, V4 Dual Collection, hanamodz.com (website), viewed Jun. 14, 2015, available at https://www.hanamodz.com/index.php?main_page=index&cPath=88_70&zenid=3f2b158f8b14a03af8406eddd8e9ffdf.

* cited by examiner

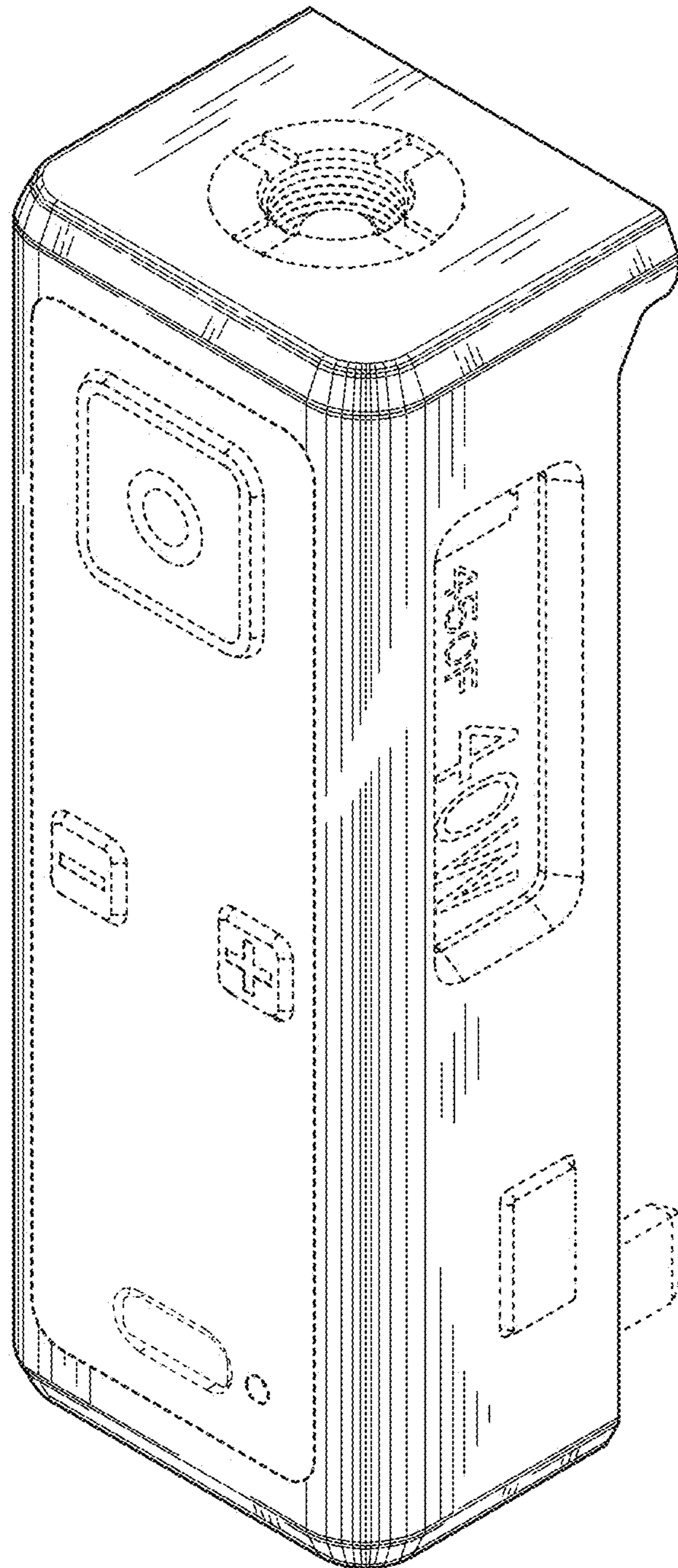


FIG. 1

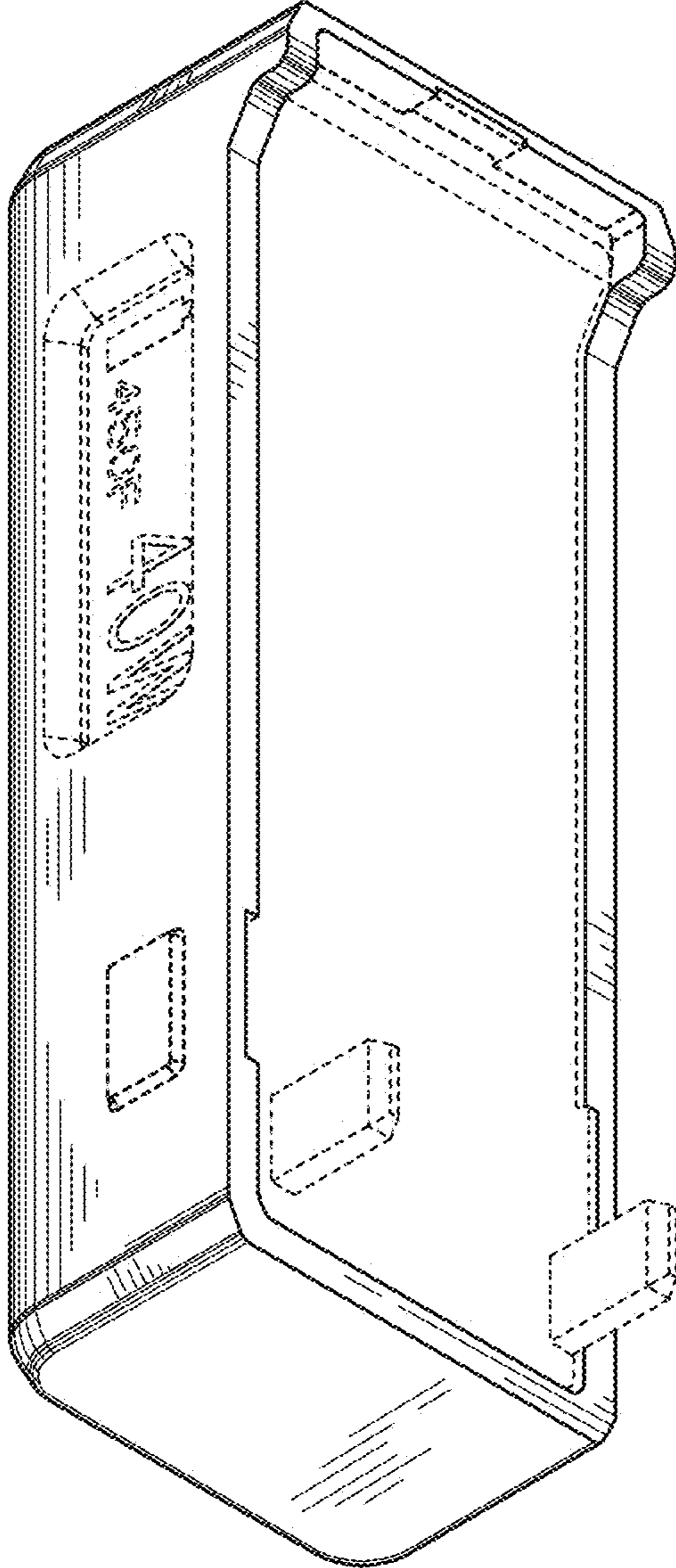


FIG. 2

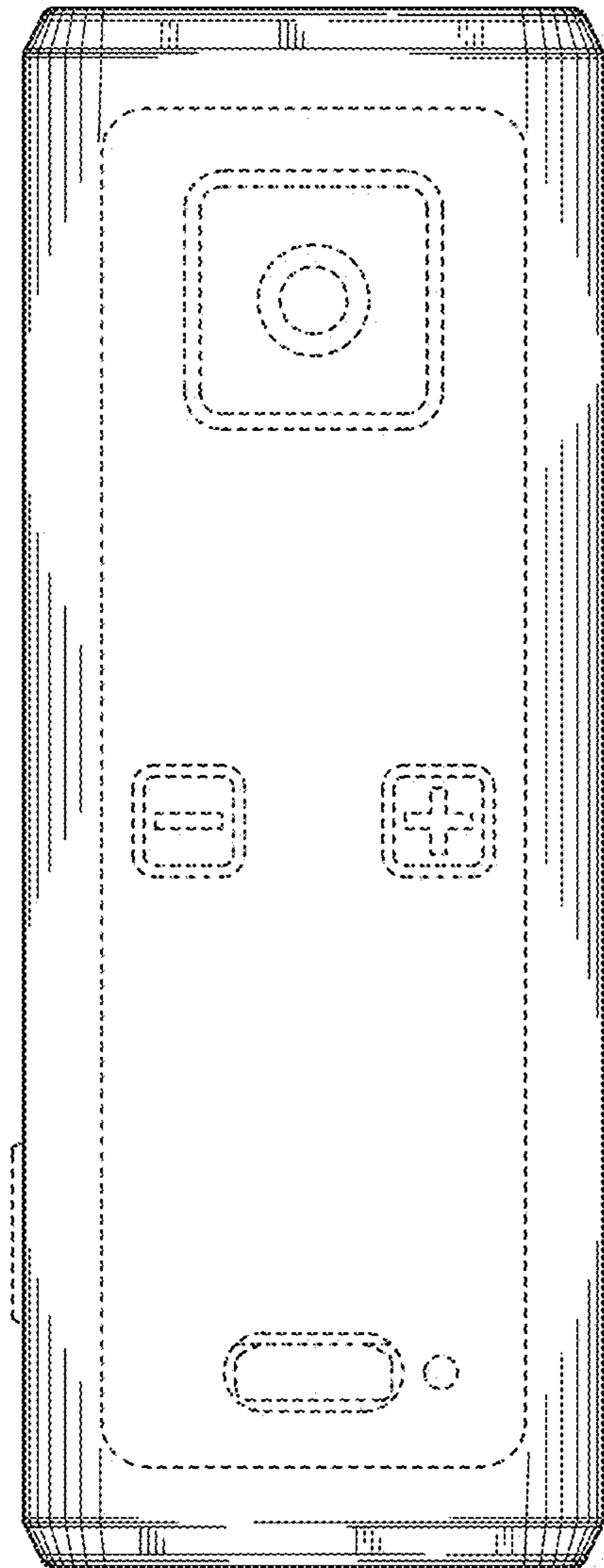


FIG. 3

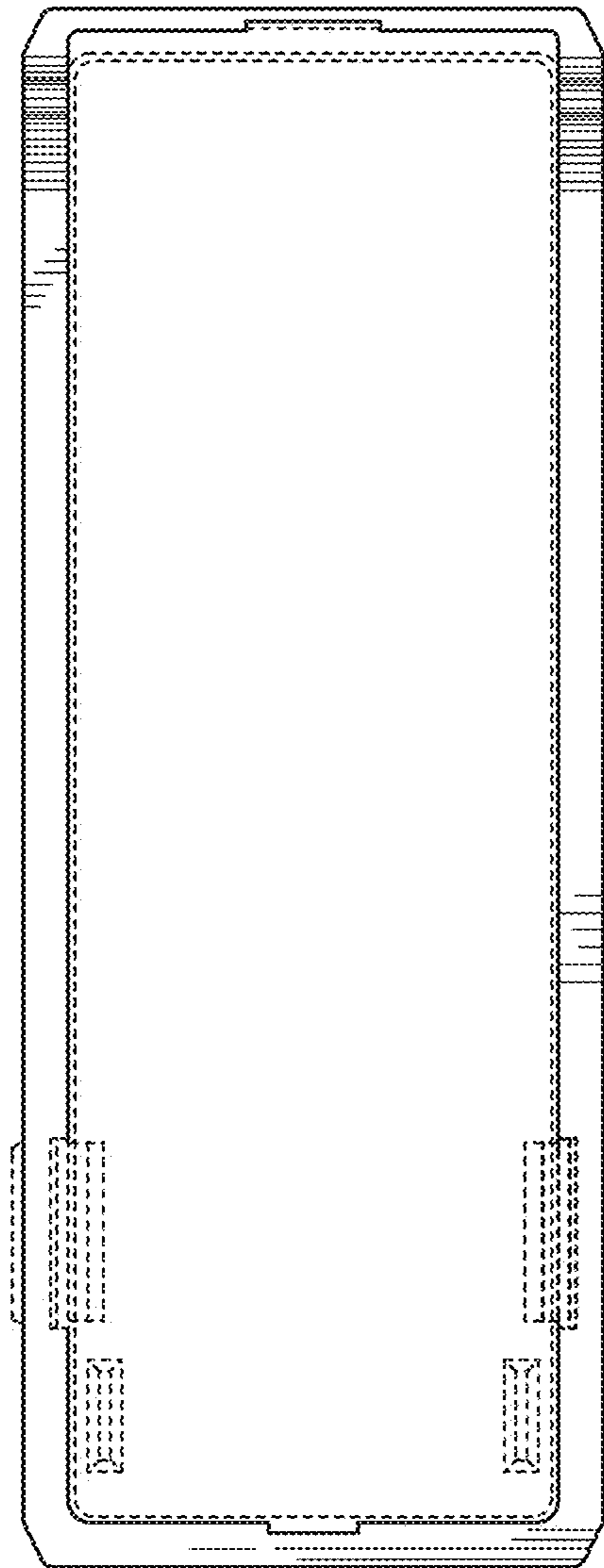


FIG. 4

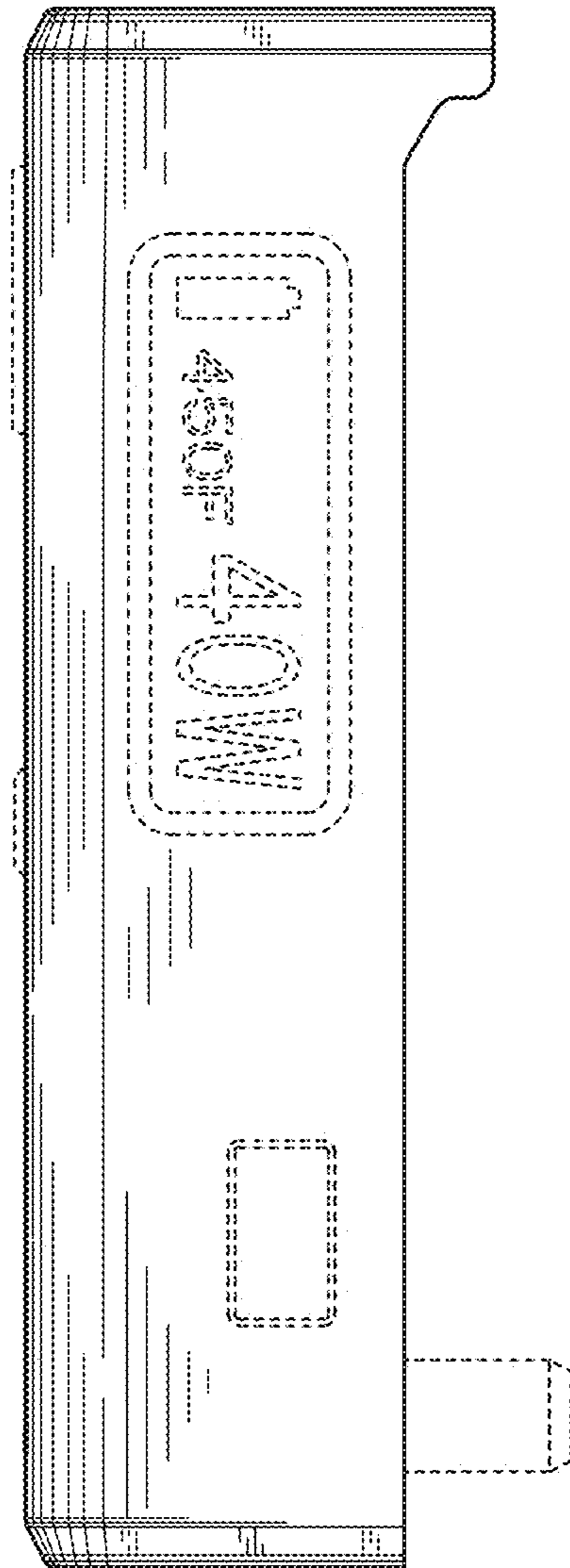


FIG. 5

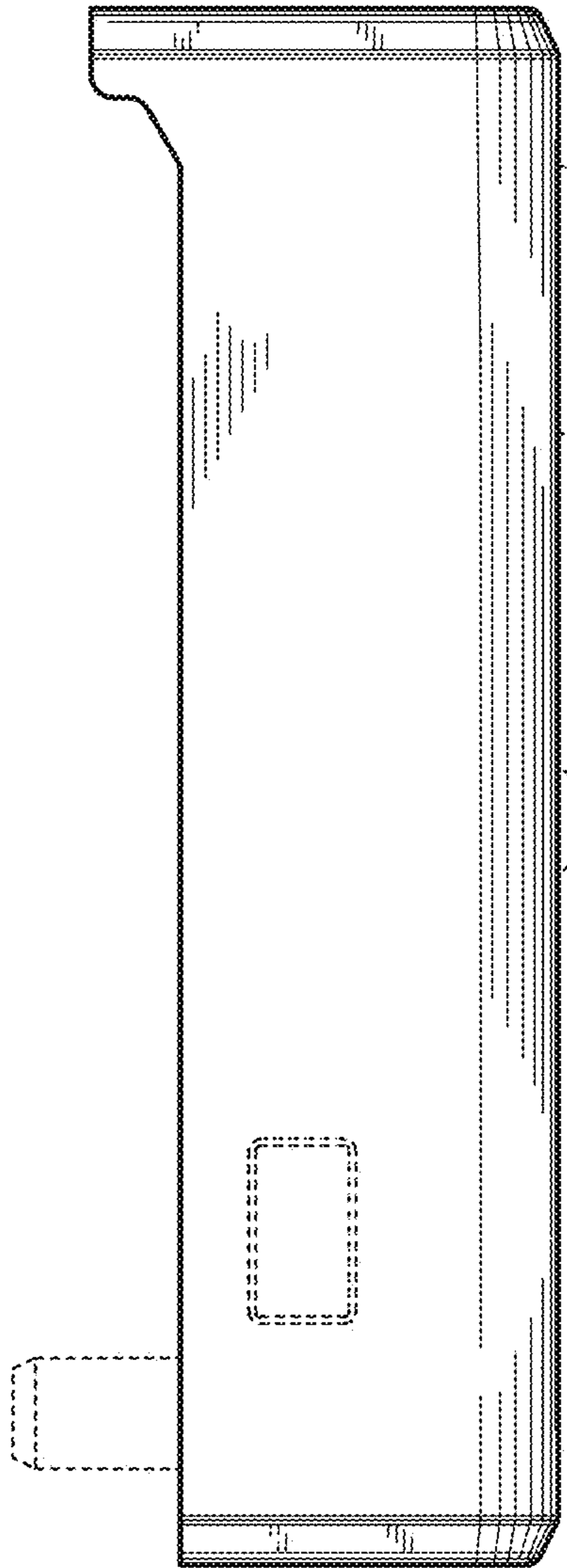


FIG. 6

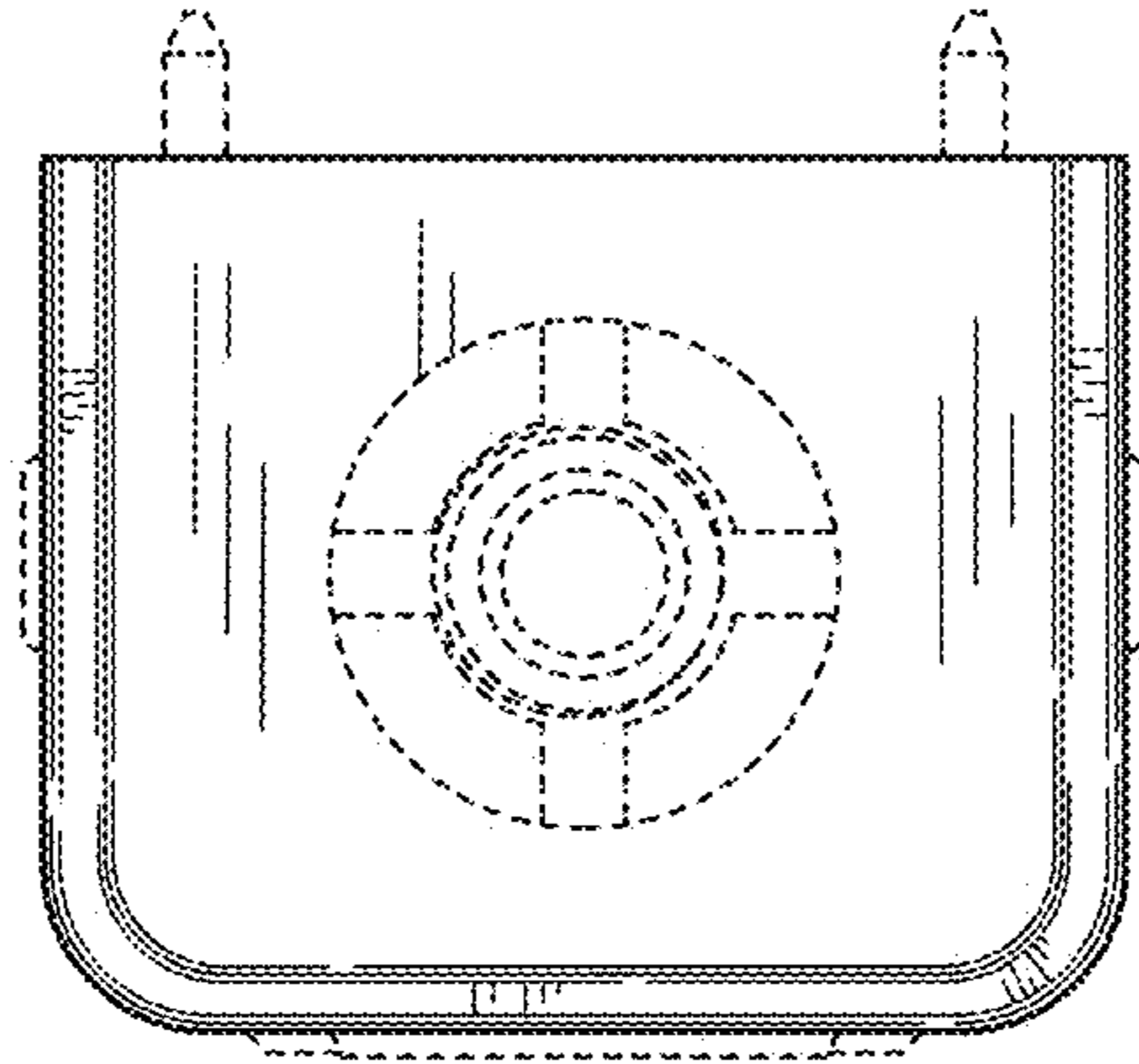


FIG. 7

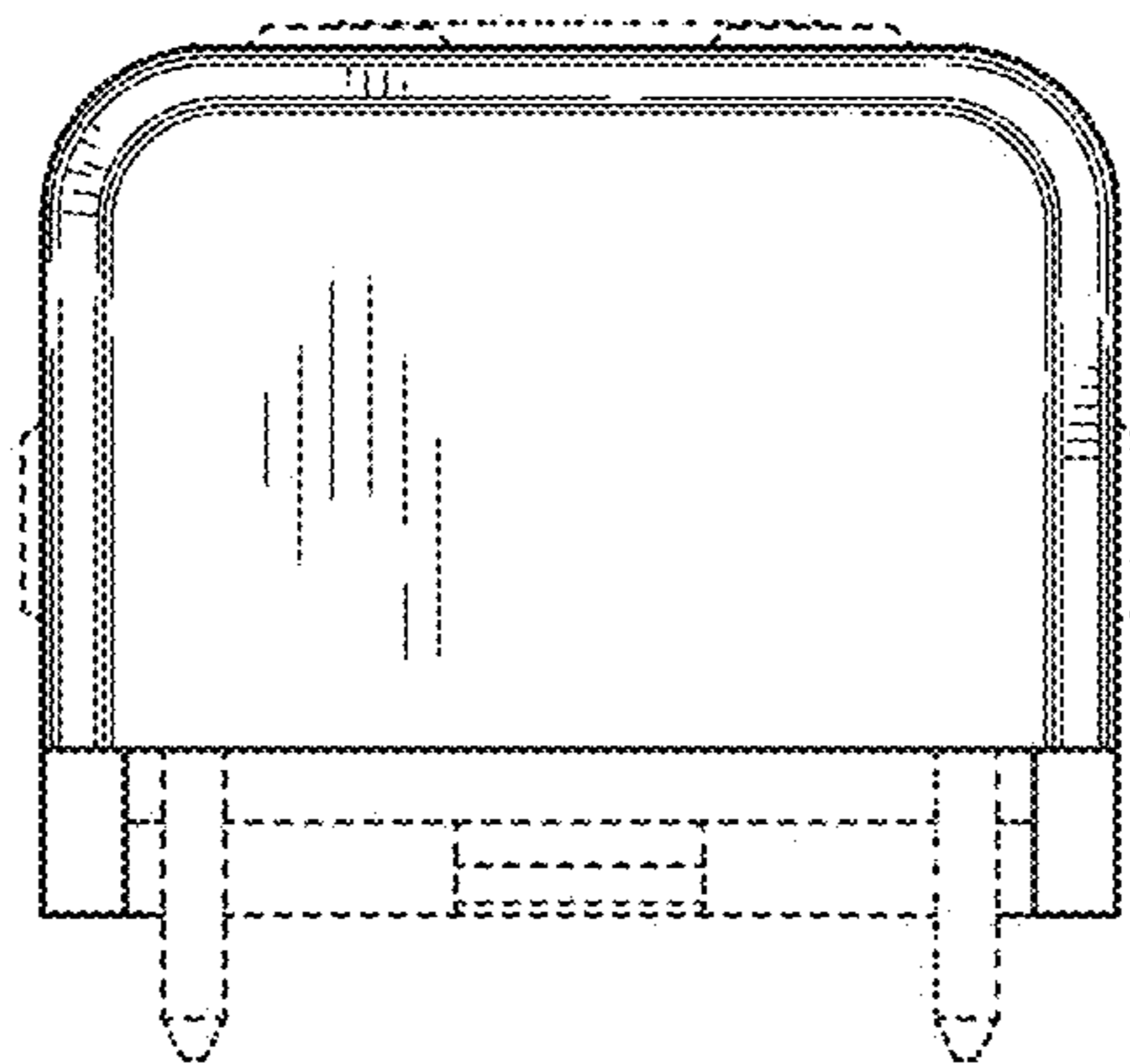


FIG. 8