



US00D748321S

(12) **United States Design Patent**  
**Grimm et al.**

(10) **Patent No.:** **US D748,321 S**  
(45) **Date of Patent:** **\*\* Jan. 26, 2016**

(54) **REFLECTOR HOUSING**  
(71) Applicant: **ILLINOIS TOOL WORKS INC.**,  
Glenview, IL (US)  
(72) Inventors: **Michael B. Grimm**, Evanston, IL (US);  
**Martin J. Nilsen**, Hampshire, IL (US);  
**Christopher A. J. Iannello**, Rolling  
Meadows, IL (US); **Sean P. Forrest**,  
Park Ridge, IL (US)  
(73) Assignee: **Illinois Tool Works Inc.**, Glenview, IL  
(US)  
(\*\*) Term: **14 Years**

6,431,765 B1 \* 8/2002 Chen ..... G02B 6/4277  
385/139  
6,652,206 B2 \* 11/2003 Heflin ..... F16B 19/1081  
411/344  
6,757,944 B2 \* 7/2004 Buscart ..... A44B 11/006  
24/200  
D494,888 S \* 8/2004 Buscart ..... D11/216  
7,141,013 B2 \* 11/2006 Schneider ..... B65D 33/2591  
493/114  
D543,941 S \* 6/2007 Hargreaves ..... D13/146  
D544,387 S \* 6/2007 Shiflett ..... D10/111  
D544,840 S \* 6/2007 Hargreaves ..... D13/146  
D545,995 S \* 7/2007 Farmer ..... D26/118  
7,387,201 B2 \* 6/2008 Olsen ..... B65D 71/504  
206/150  
7,510,075 B2 \* 3/2009 Olsen ..... B65D 71/504  
206/150

(Continued)

(21) Appl. No.: **29/491,944**  
(22) Filed: **May 27, 2014**  
(51) **LOC (10) Cl.** ..... **26-99**  
(52) **U.S. Cl.**  
USPC ..... **D26/128**  
(58) **Field of Classification Search**  
USPC ..... D26/9, 10, 12, 13, 15, 16, 24, 51, 61,  
D26/72, 76, 80, 81, 85, 86, 88, 90, 113, 118,  
D26/119, 120, 122, 128, 129, 138, 143, 144,  
D26/5, 6, 11, 79, 114, 116, 131, 137, 121,  
D26/127, 135, 180, 28, 29, 97; D13/180;  
D10/18, 21, 24, 25, 27, 28, 46, 93,  
D10/104.1, 113, 114, 116.1; D17/99  
See application file for complete search history.

**OTHER PUBLICATIONS**

Rear Rotisserie Burner and Reflector Housing, image post date Mar. 1, 2006, site visited Aug. 30, 2015, (online), <[http://web.archive.org/web/20060301223408/http://grillparts.com/charbroil/allparts.asp?product\\_id=4509037](http://web.archive.org/web/20060301223408/http://grillparts.com/charbroil/allparts.asp?product_id=4509037)>.\*

(Continued)

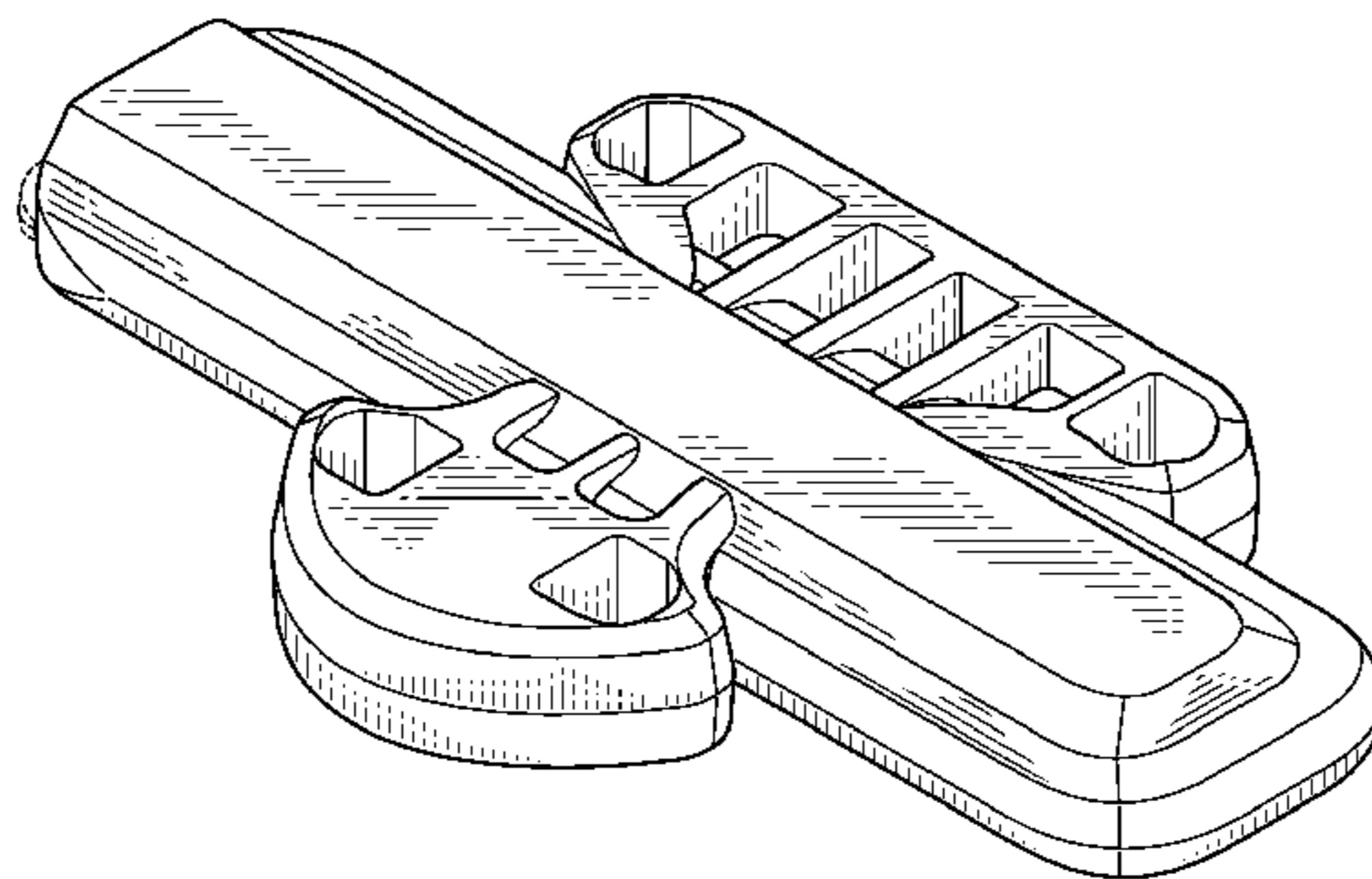
(56) **References Cited**  
U.S. PATENT DOCUMENTS  
3,248,554 A \* 4/1966 Chen ..... G02B 5/10  
250/227.11  
D269,954 S \* 8/1983 Ohashi ..... D10/111  
D294,019 S \* 2/1988 Futatsugi ..... D13/134  
D308,186 S \* 5/1990 Udelhofen ..... D11/218  
D436,556 S \* 1/2001 Pontaoe ..... D11/221  
6,173,517 B1 \* 1/2001 Eibner ..... G02B 6/0001  
362/240  
6,295,405 B1 \* 9/2001 Jansson ..... G02B 6/0018  
349/65

*Primary Examiner* — Kevin Rudzinski  
*Assistant Examiner* — Sean D Lough  
(74) *Attorney, Agent, or Firm* — Paul F. Donovan

(57) **CLAIM**  
The ornamental design for a reflector housing, as shown and described. **DESCRIPTION**

FIG. 1 is a perspective view of the reflector housing showing the new design;  
FIG. 2 is a top view thereof;  
FIG. 3 is a bottom view thereof;  
FIG. 4 is a back view thereof;  
FIG. 5 is a front view thereof;  
FIG. 6 is a left side view thereof; and,  
FIG. 7 is a right side view thereof.  
The broken lines (where present) in all FIGS. illustrate portions of the reflector housing that form no part of the claimed design.

**1 Claim, 4 Drawing Sheets**



(56)

References Cited

U.S. PATENT DOCUMENTS

7,631,467 B2 \* 12/2009 Clarke ..... F16B 12/00  
40/468  
7,712,273 B2 \* 5/2010 Panasik ..... E04D 3/361  
52/459  
7,832,878 B2 \* 11/2010 Brukilacchio ..... G02B 6/4298  
313/512  
D632,422 S \* 2/2011 van den Akker ..... D26/128  
7,981,197 B2 \* 7/2011 Kosmyna ..... B01D 46/0004  
D46/4  
D643,103 S \* 8/2011 Bilko ..... D23/366  
D645,199 S \* 9/2011 Intravatola ..... D26/138  
D656,666 S \* 3/2012 McGregor ..... D26/154  
D680,678 S \* 4/2013 Jochimek ..... D26/113  
8,418,844 B2 \* 4/2013 Slaters, Jr. .... B65D 71/504  
206/150  
D681,506 S \* 5/2013 Kolasa ..... D11/216  
8,465,007 B2 \* 6/2013 Coffield ..... A47C 7/282  
267/142  
D686,109 S \* 7/2013 Iannello ..... D11/218  
D687,509 S \* 8/2013 Iannello ..... D11/200  
8,555,468 B2 \* 10/2013 Moerke ..... B60R 13/0206  
24/293  
D699,151 S \* 2/2014 Kolasa ..... D11/200  
D705,126 S \* 5/2014 Iannello ..... D12/49  
D705,698 S \* 5/2014 Iannello ..... D12/49

8,721,195 B2 \* 5/2014 Doric ..... G02B 6/4298  
385/53  
8,747,165 B2 \* 6/2014 Kim ..... H01R 24/60  
439/607.53  
D711,773 S \* 8/2014 Kolasa ..... D11/215  
8,936,478 B2 \* 1/2015 Choi ..... H01R 13/447  
439/172  
D727,238 S \* 4/2015 Lepper ..... D12/220  
D727,560 S \* 4/2015 Jeswani ..... D26/138  
D728,416 S \* 5/2015 Kolasa ..... D11/216  
9,039,056 B2 \* 5/2015 Whitley ..... F16G 11/048  
294/102.1  
D731,687 S \* 6/2015 Haws ..... D26/46  
D732,602 S \* 6/2015 Nokuo ..... D16/242  
9,048,272 B2 \* 6/2015 Forsyth ..... B29C 65/561  
9,049,917 B2 \* 6/2015 Shereyk ..... A45F 3/047  
9,079,341 B2 \* 7/2015 Risdale ..... B29C 45/1635  
9,080,588 B2 \* 7/2015 Diez Herrera ..... B60N 3/026  
D737,710 S \* 9/2015 Nilsen ..... D10/111  
D737,711 S \* 9/2015 Nilsen ..... D10/111

OTHER PUBLICATIONS

Airship harmonica, image post date 1926, site visited Aug. 30, 2015, (online), <<http://orgs.usd.edu/nmm/FreeReeds/Harmonicas/Seydl/7735Airship/LAairship.html>>.\*

\* cited by examiner

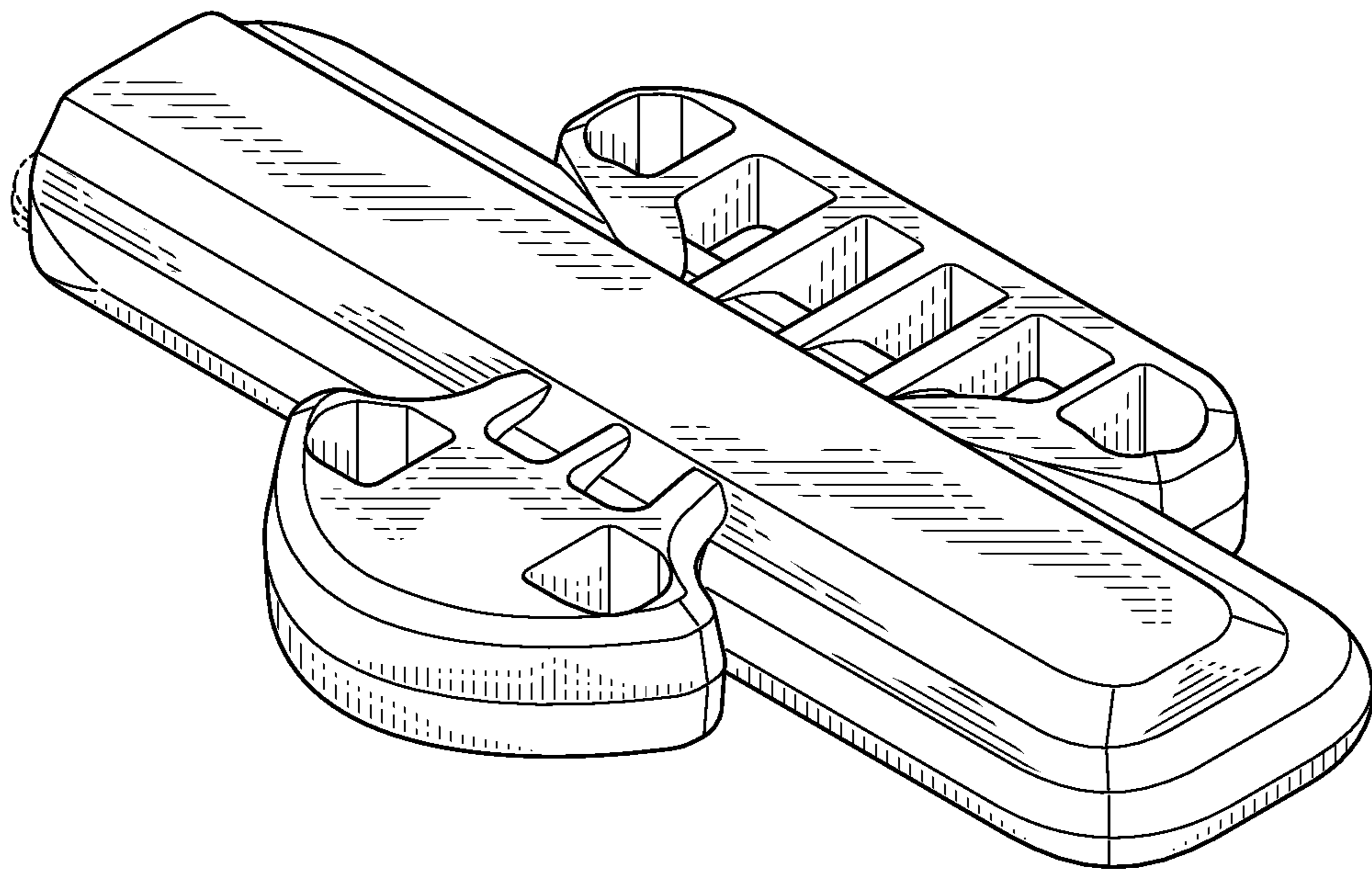


FIG. 1

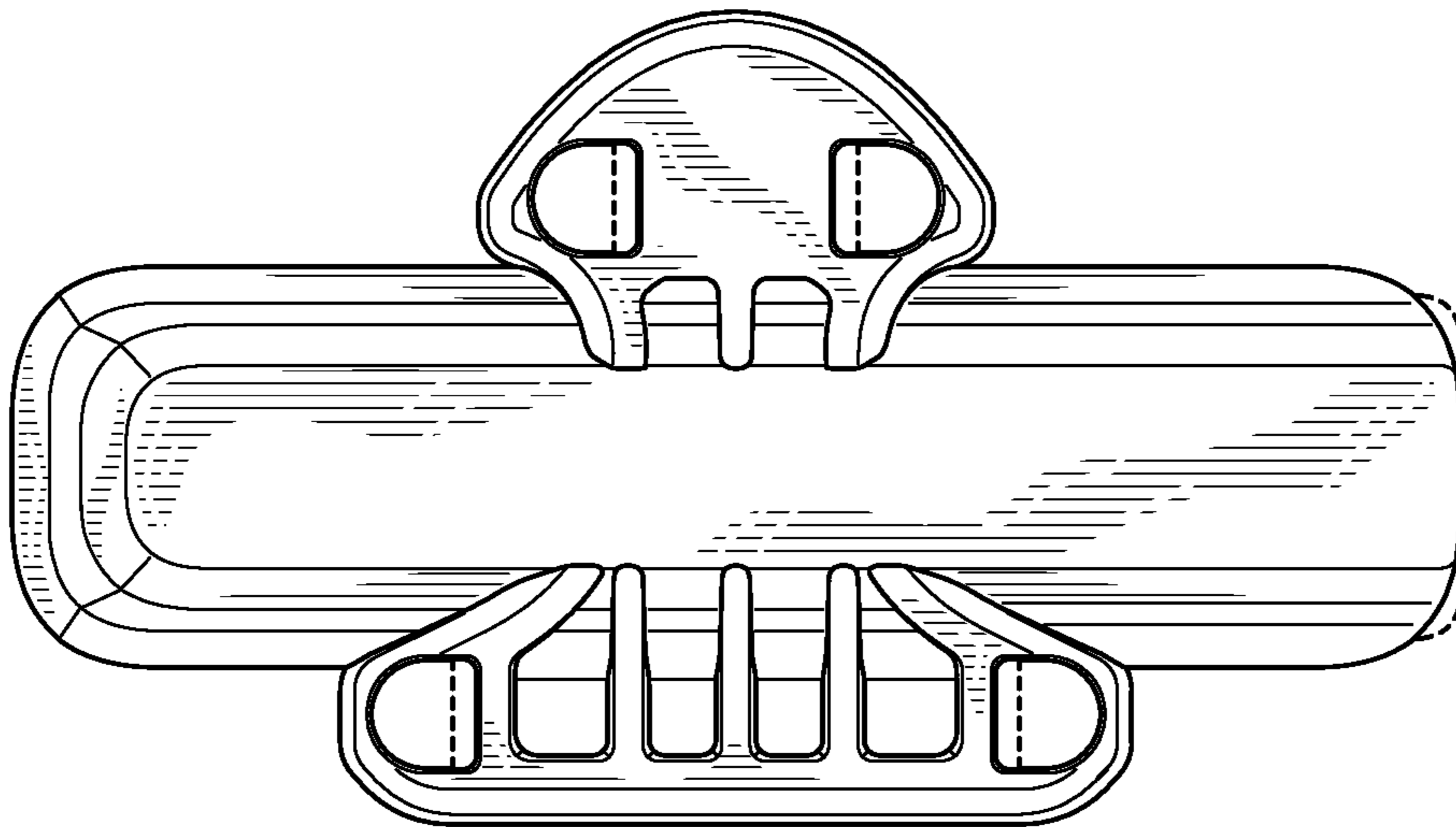


FIG. 2

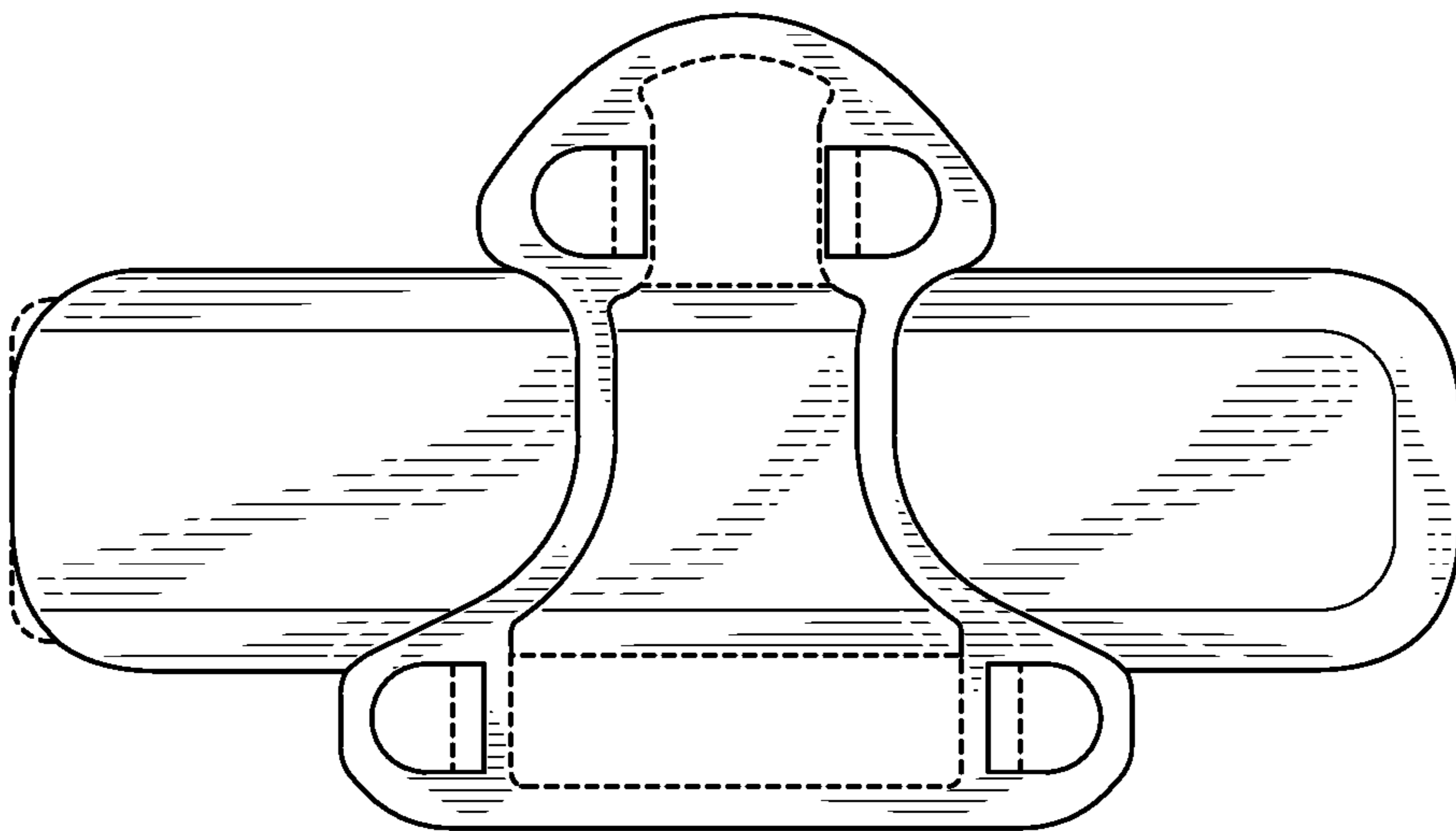


FIG. 3

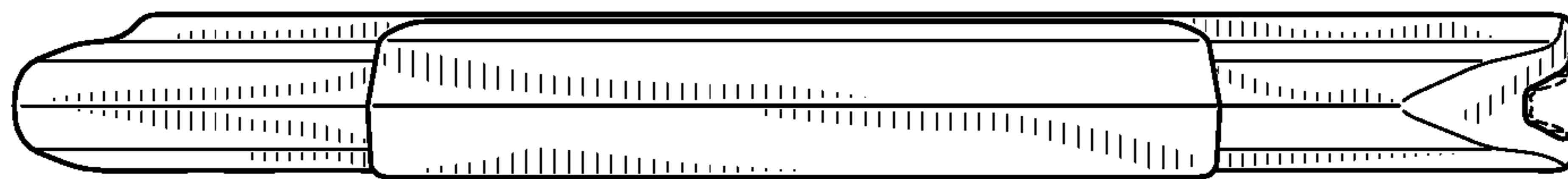


FIG. 4

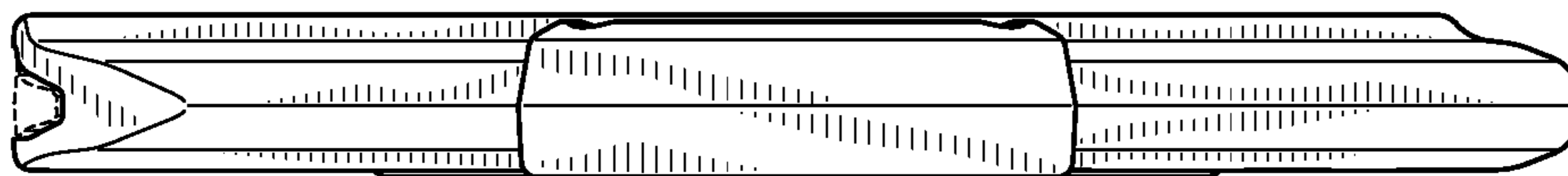


FIG. 5



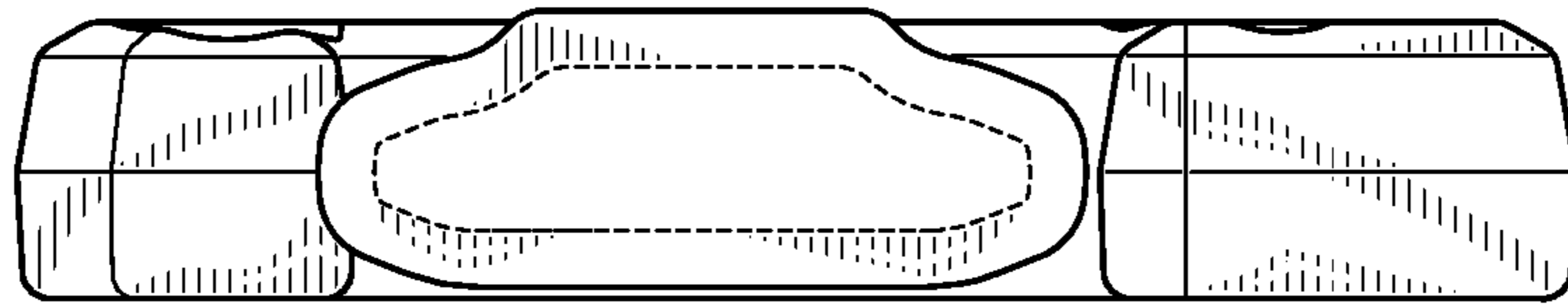


FIG. 6

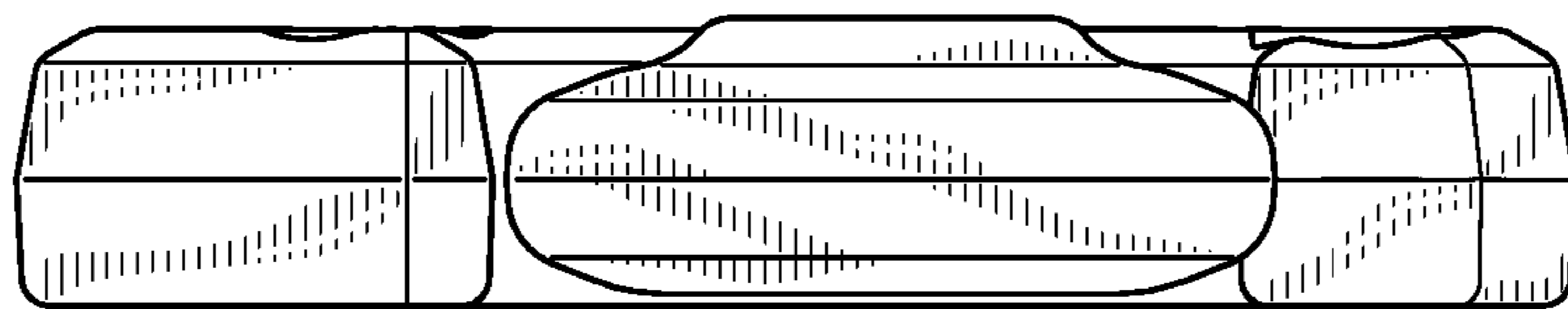


FIG. 7